



US00D389837S

United States Patent [19]

Summers et al.

[11] Patent Number: **Des. 389,837**

[45] Date of Patent: ****Jan. 27, 1998**

[54] CONTROL FACE PLATE FOR A RADIO

[75] Inventors: **Mark David Summers**, Phoenix, Ariz.;
Albert Leo Nagele, Wilmette; **Leonio Soren**, Lincolnwood, both of Ill.;
Richard Daniel Spring, Cedar Rapids, Iowa

[73] Assignee: **Motorola, Inc.**, Schaumburg, Ill.

[**] Term: **14 Years**

[21] Appl. No.: **64,037**

[22] Filed: **Dec. 20, 1996**

[51] LOC (6) Cl. **14-03**

[52] U.S. Cl. **D14/194; D14/144; D14/145; D14/257**

[58] Field of Search **D14/144-145, D14/155, 157, 188, 189, 193-198, 217, 257-260, 265, 299; 455/344-346, 350-351**

[56] References Cited

U.S. PATENT DOCUMENTS

D. 304,194 10/1989 Fuller et al. D14/257

D. 306,445 3/1990 Beaumont D14/257
D. 313,994 1/1991 Culbertson D14/265 X

Primary Examiner—Sandra L. Morris
Assistant Examiner—Nanda Bondade
Attorney, Agent, or Firm—Frank J. Bogacz

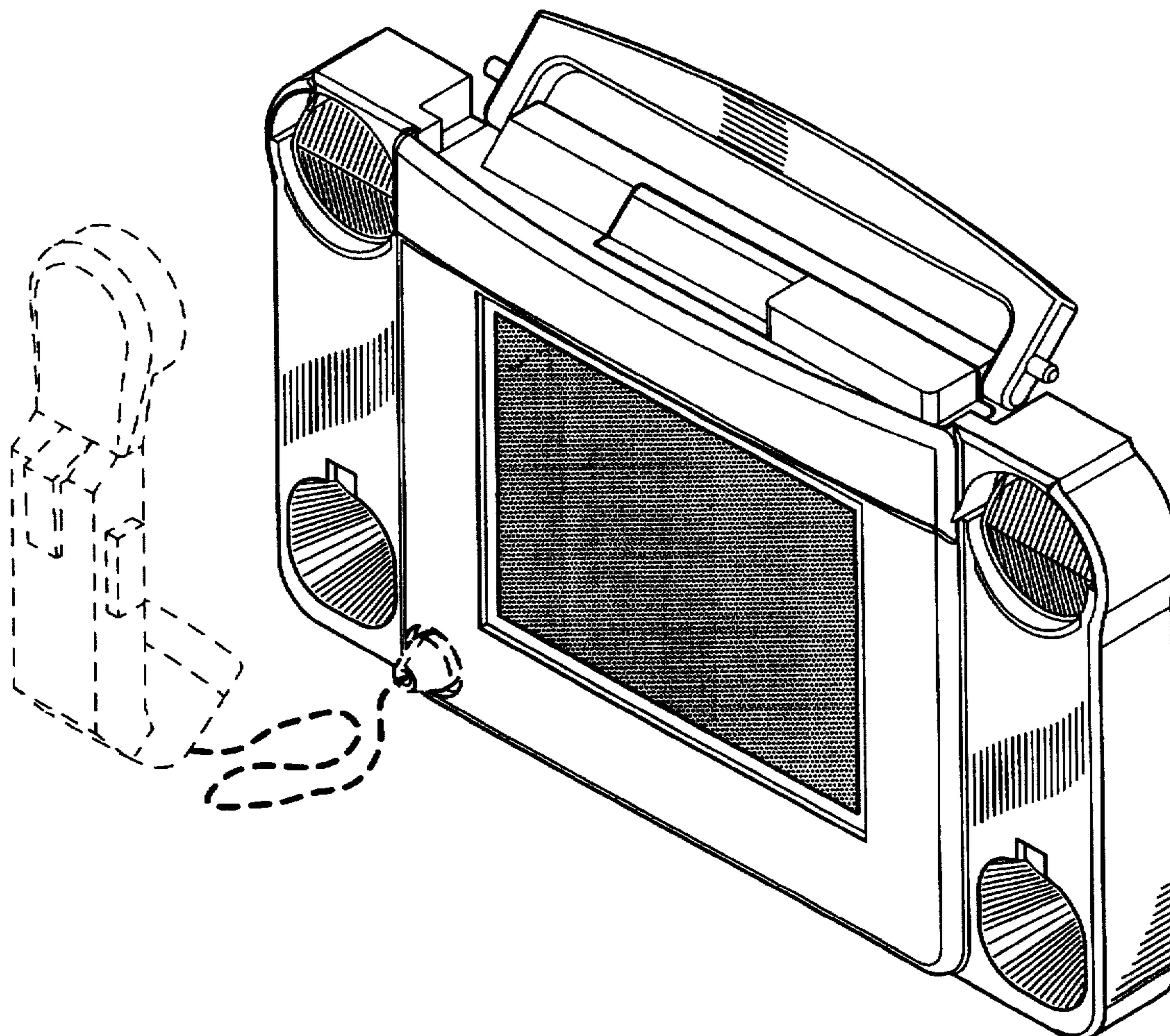
[57] CLAIM

The ornamental design for the control face plate for a radio, as shown and described.

DESCRIPTION

FIG. 1 is a front, top, and right side view showing our new design for a control face plate for a radio;
FIG. 2 is a front elevation view thereof, with the handle shown in an alternate position;
FIG. 3 is a bottom elevation view thereof;
FIG. 4 is a top elevation view thereof;
FIG. 5 is a left side elevation view thereof;
FIG. 6 is a right side elevation view thereof; and,
FIG. 7 is a back elevation view thereof.
The broken lines showing of a telephone handset and a connecting cable in FIG. 1 are for illustrative purposes only and form no part of the claimed design.

1 Claim, 3 Drawing Sheets



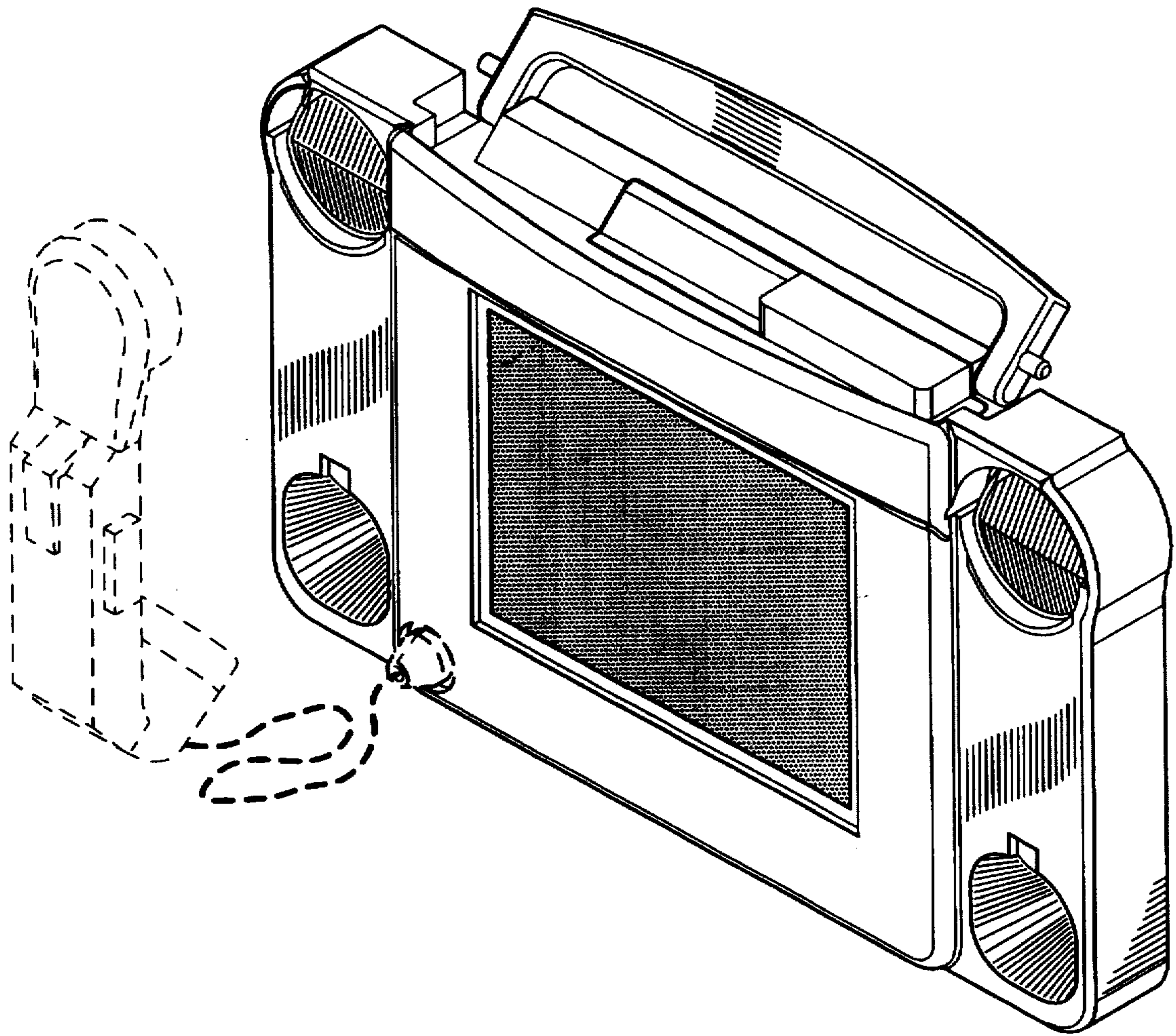


FIG. 1

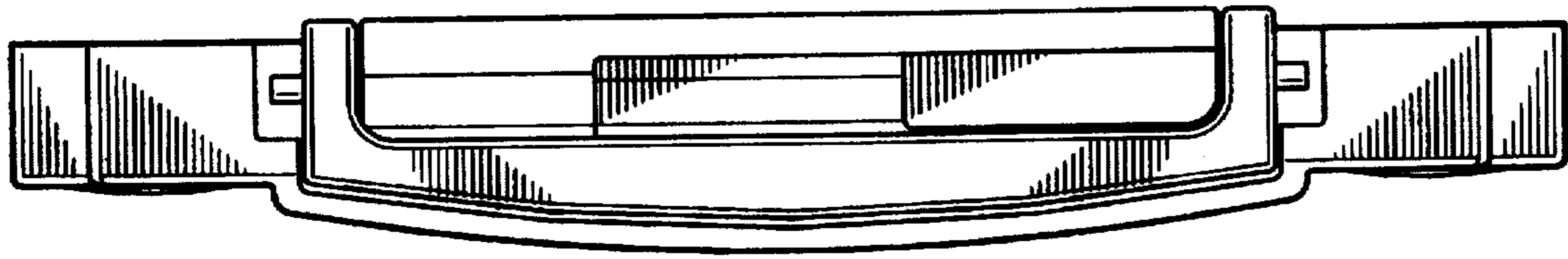


FIG. 4

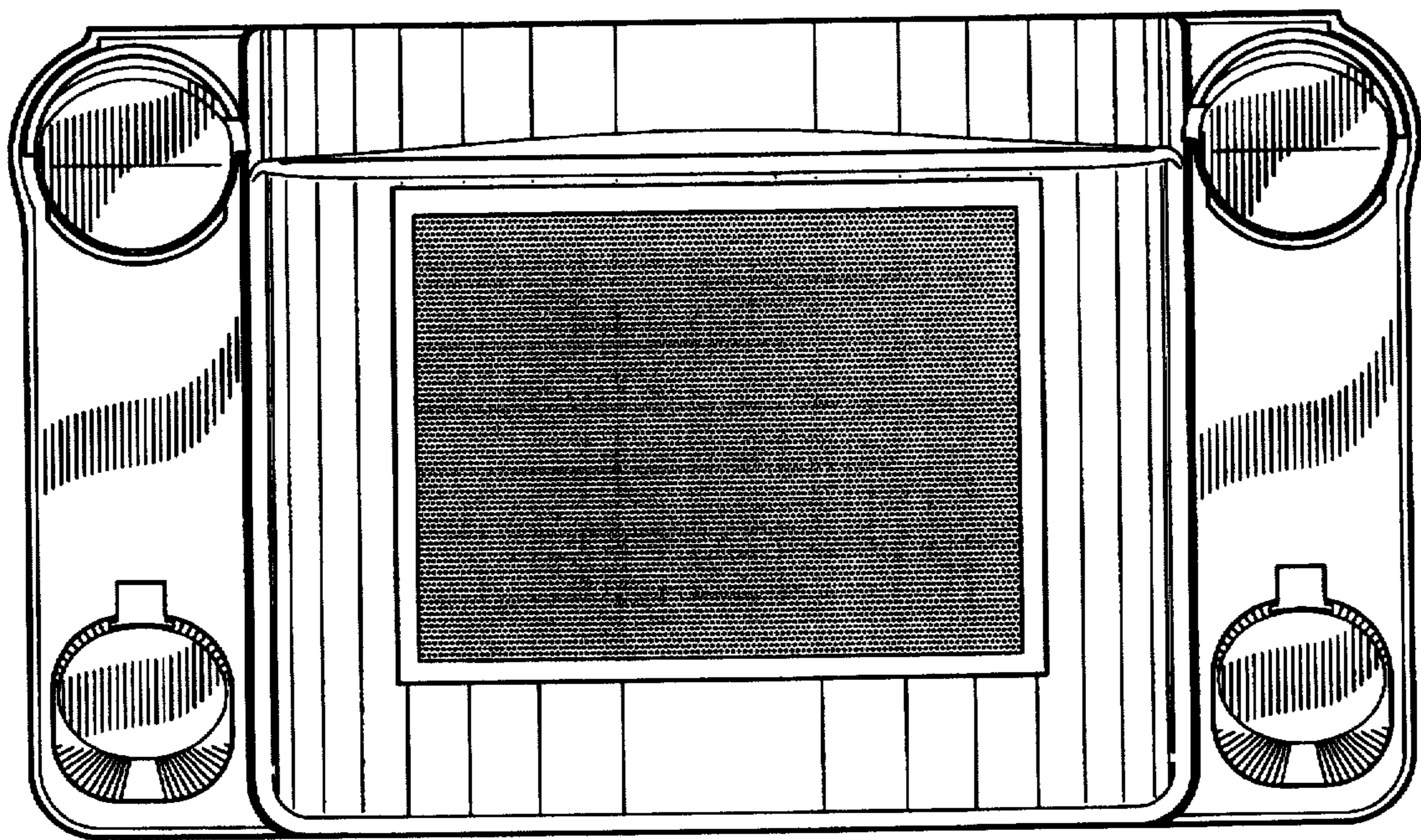


FIG. 2

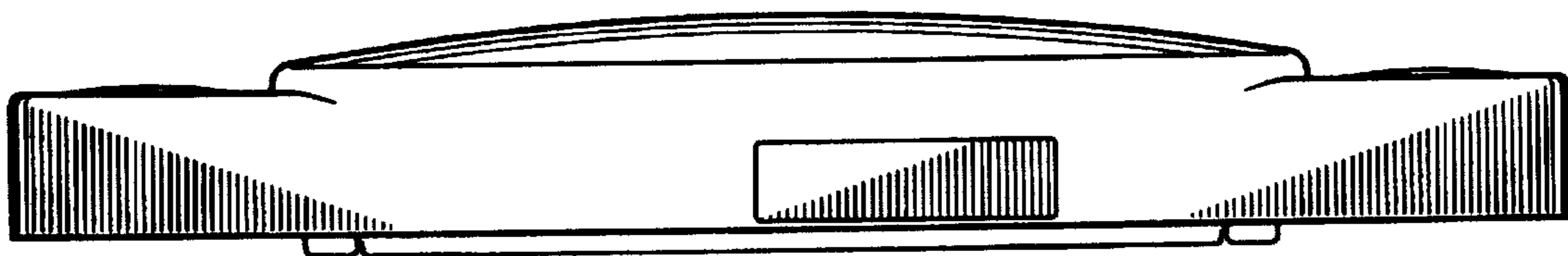


FIG. 3

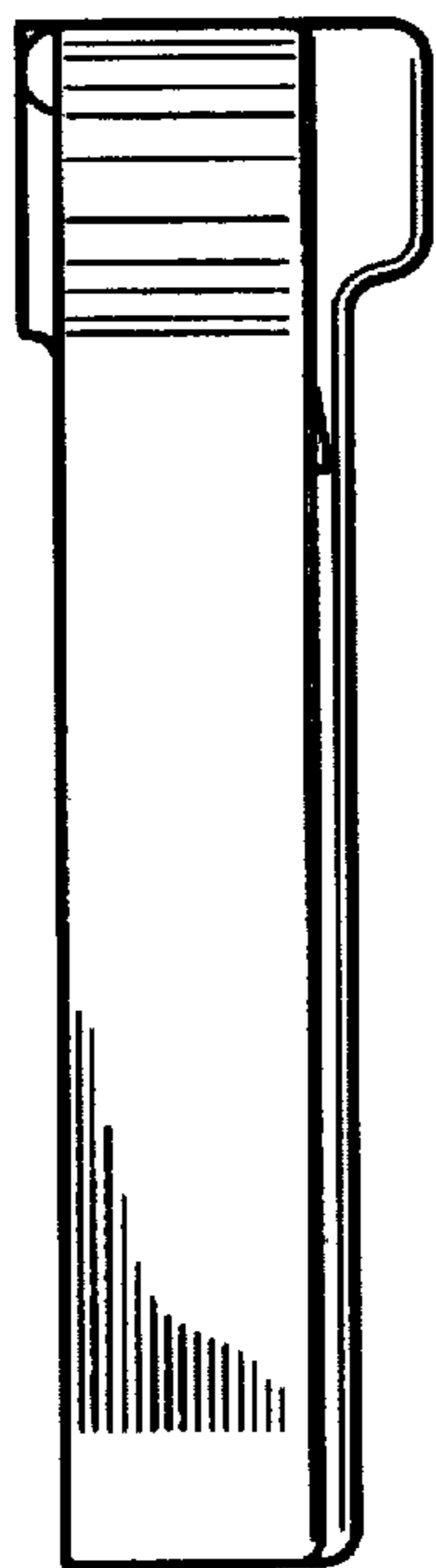


FIG. 5

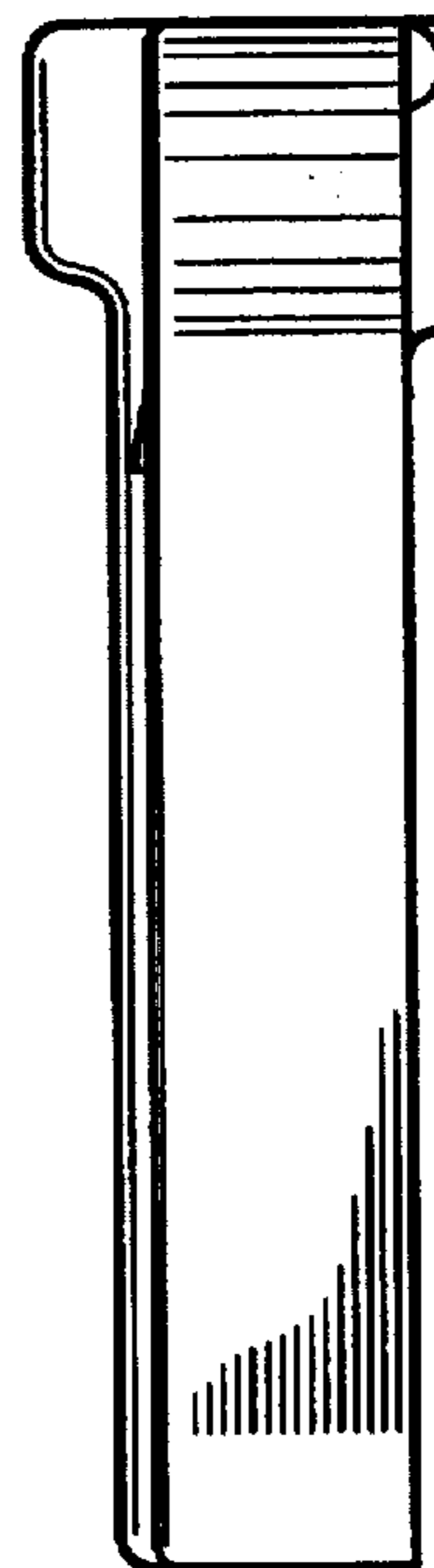


FIG. 6

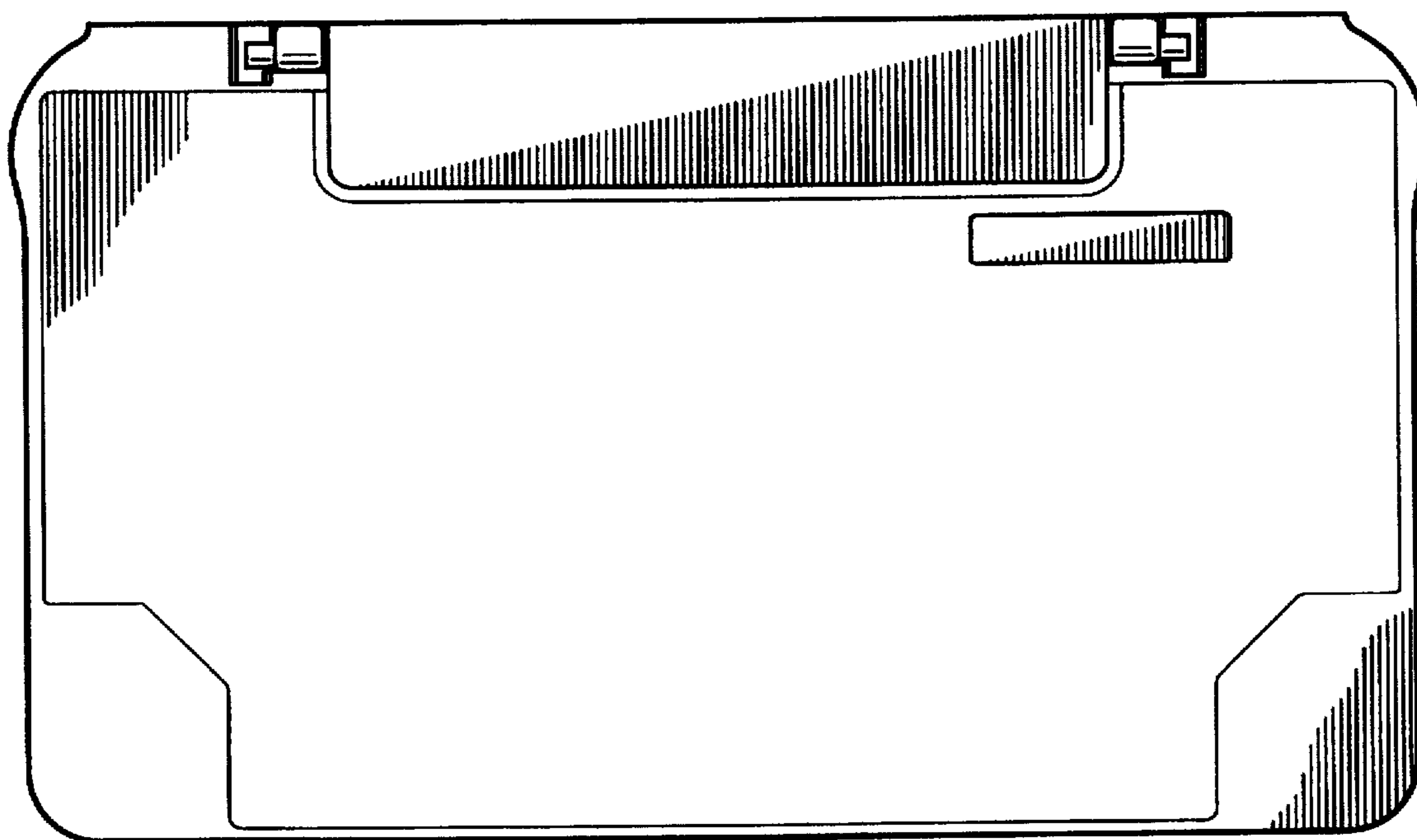


FIG. 7

UNITED STATES PATENT AND TRADEMARK OFFICE
CERTIFICATE OF CORRECTION

PATENT NO. : D389,837
DATED : January 27, 1998
INVENTOR(S) : Mark David Summers, et al.

It is certified that error appears in the above-identified patent and that said Letters Patent is hereby corrected as shown below: Column 1,

Please insert the following statement of government rights after the description on the cover sheet of the above reference patent.

License Rights

This invention was made with Government Support under F30602-95-C-0026 awarded by the Air Force. The Government has certain rights in this invention.

Signed and Sealed this
Fourteenth Day of November, 2000

Attest:



Q. TODD DICKINSON

Attesting Officer

Director of Patents and Trademarks