



US00D389835S

# United States Patent [19] Tyson

[11] Patent Number: **Des. 389,835**  
[45] Date of Patent: **\*\*Jan. 27, 1998**

[54] **SOUND SYSTEM FOR BICYCLE**  
[76] Inventor: **Dwight Tyson**, 3121 Middletown Rd.,  
Apt. 6N, Bronx, N.Y. 10461  
[\*\*] Term: **14 Years**  
[21] Appl. No.: **52,071**  
[22] Filed: **Mar. 22, 1996**  
[51] LOC (6) Cl. .... **14-01**  
[52] U.S. Cl. .... **D14/172; D14/168**  
[58] Field of Search ..... **D14/160-168,**  
**D14/172, 204, 207, 209-216, 221, 260;**  
**D12/114; 181/144, 145, 148, 150, 198-199;**  
**381/24, 90-153, 159, 186, 188; 455/344,**  
**347-351**

[56] **References Cited**  
**U.S. PATENT DOCUMENTS**

D. 257,974	1/1981	Houlihan	.....	D14/165
D. 278,051	3/1985	Arimura	.....	D14/165
D. 281,871	12/1985	Heiman	.....	D14/114
D. 304,033	10/1989	Villanueva et al.	.....	D12/114 X
D. 306,024	2/1990	Eberbach	.....	D14/214
D. 362,668	9/1995	Esslinger	.....	D14/215

*Primary Examiner*—Sandra L. Morris  
*Assistant Examiner*—Nanda Bondade  
*Attorney, Agent, or Firm*—Harold H. Dutton, Jr.

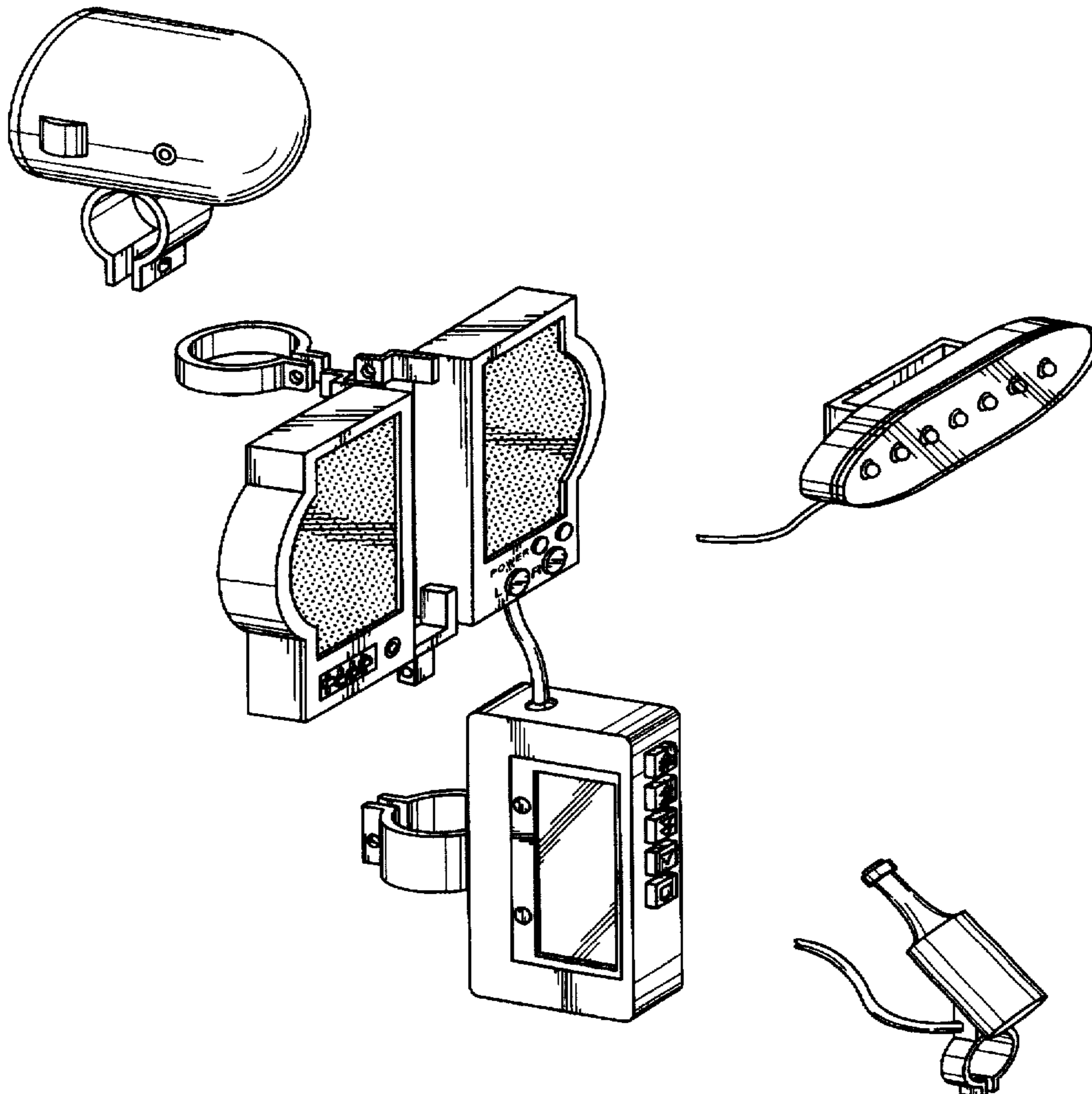
[57] **CLAIM**

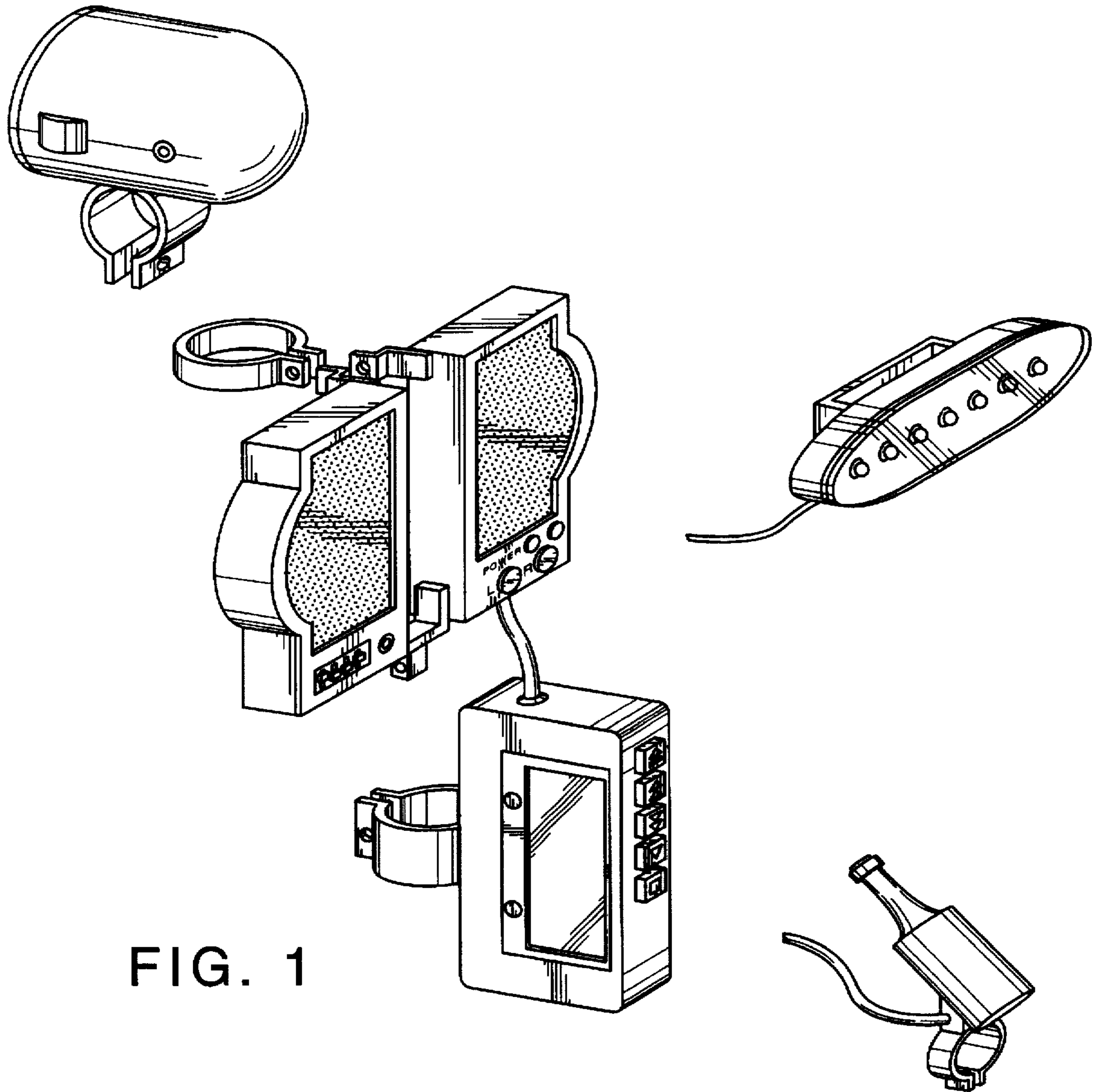
The ornamental design for a sound system for bicycle as shown, and described.

**DESCRIPTION**

FIG. 1 is a perspective view of a sound system for bicycle showing my new design;  
FIG. 2 is a front view of the speaker portion thereof, shown separately for clarity of illustration;  
FIG. 3 is a rear view thereof;  
FIG. 4 is a left side view thereof;  
The right side view is a mirror image thereof;  
FIG. 5 is a top view thereof;  
FIG. 6 is a bottom view thereof;  
FIG. 7 is a left side view of the cassette player portion of FIG. 1, shown separately for clarity of illustration;  
FIG. 8 is a right side view of FIG. 7;  
FIG. 9 is a front view of FIG. 7;  
FIG. 10 is a rear view of FIG. 7;  
FIG. 11 is a top view of FIG. 7; and,  
FIG. 12 is a bottom view of FIG. 7.

**1 Claim, 6 Drawing Sheets**





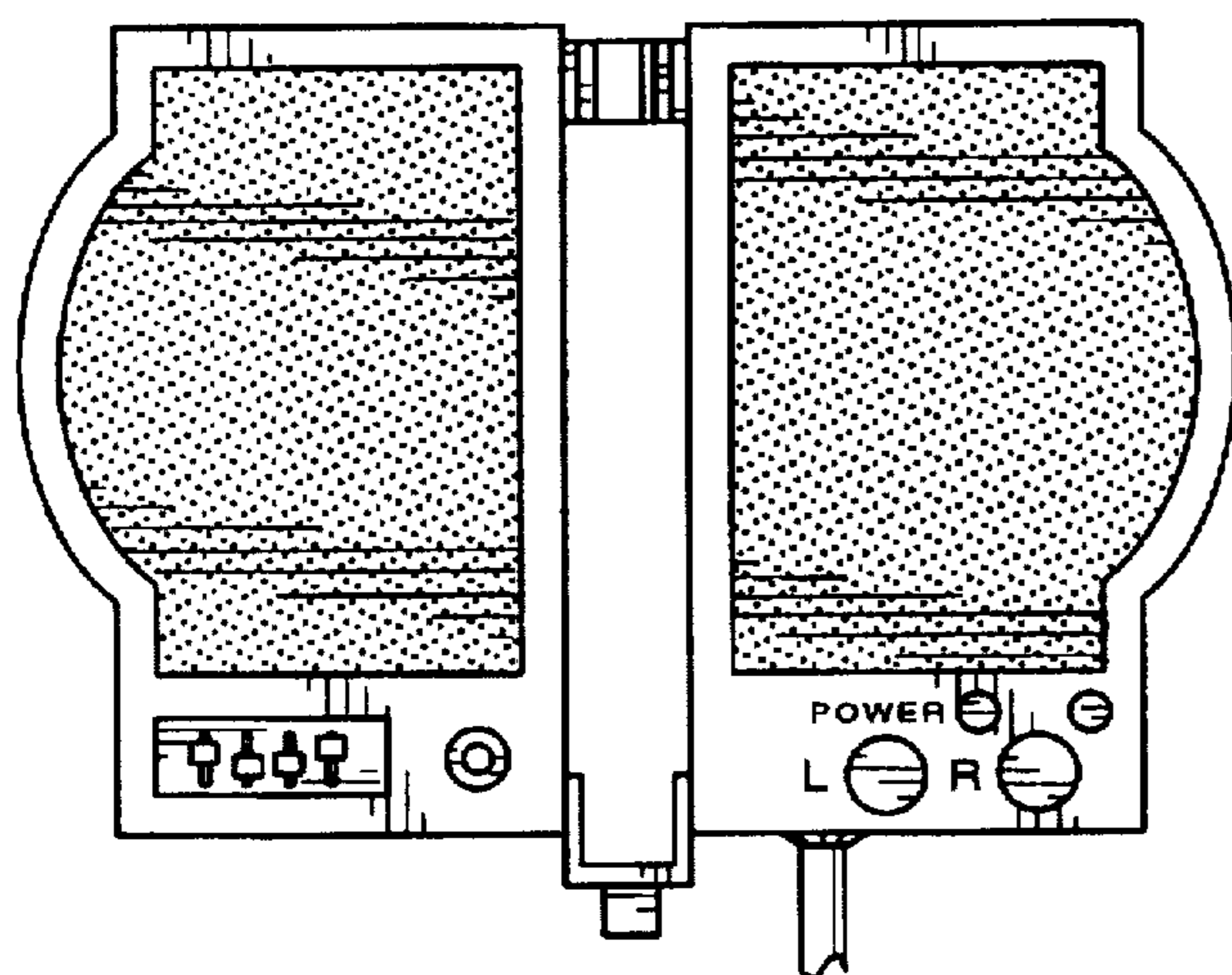
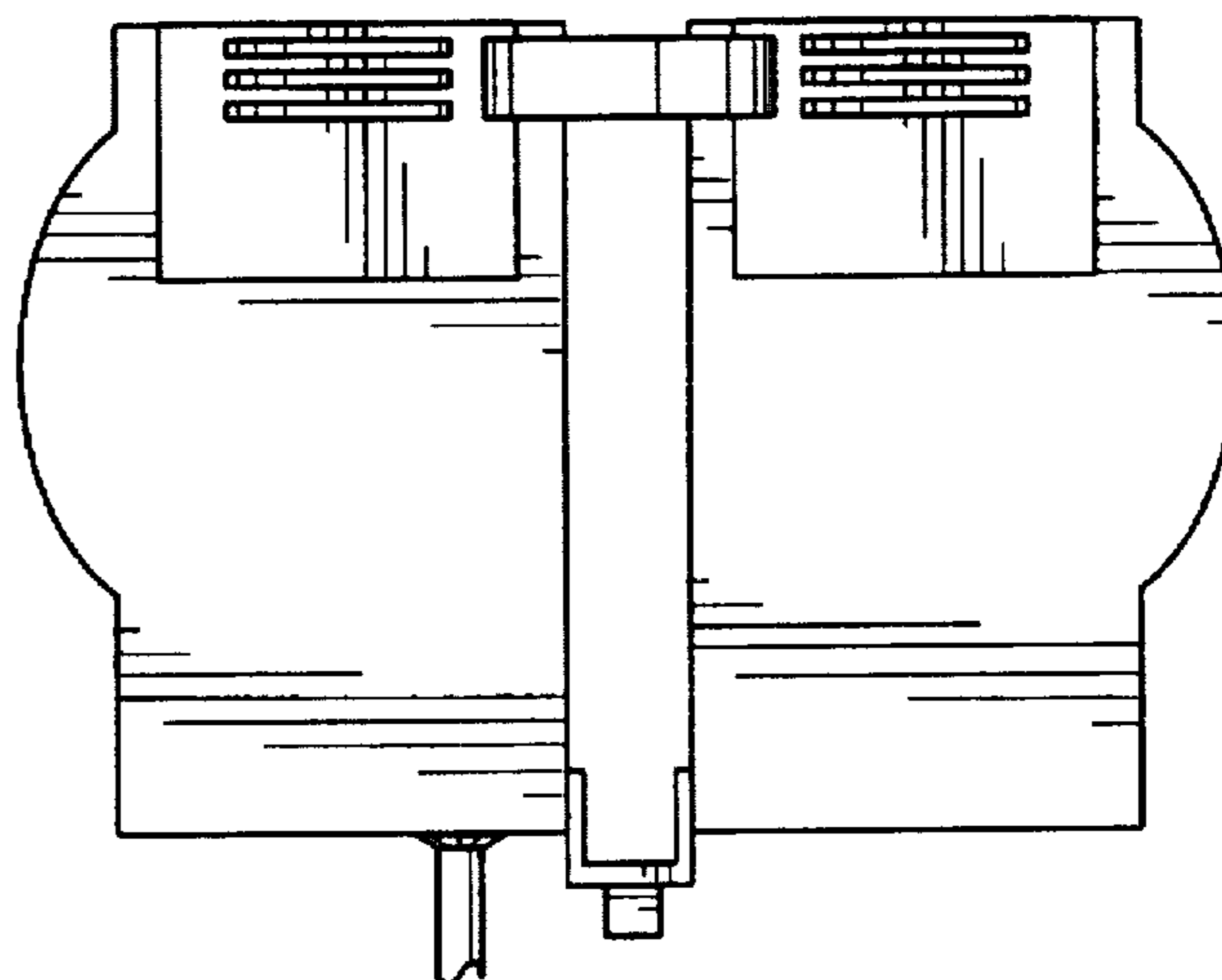


FIG. 2

FIG. 3



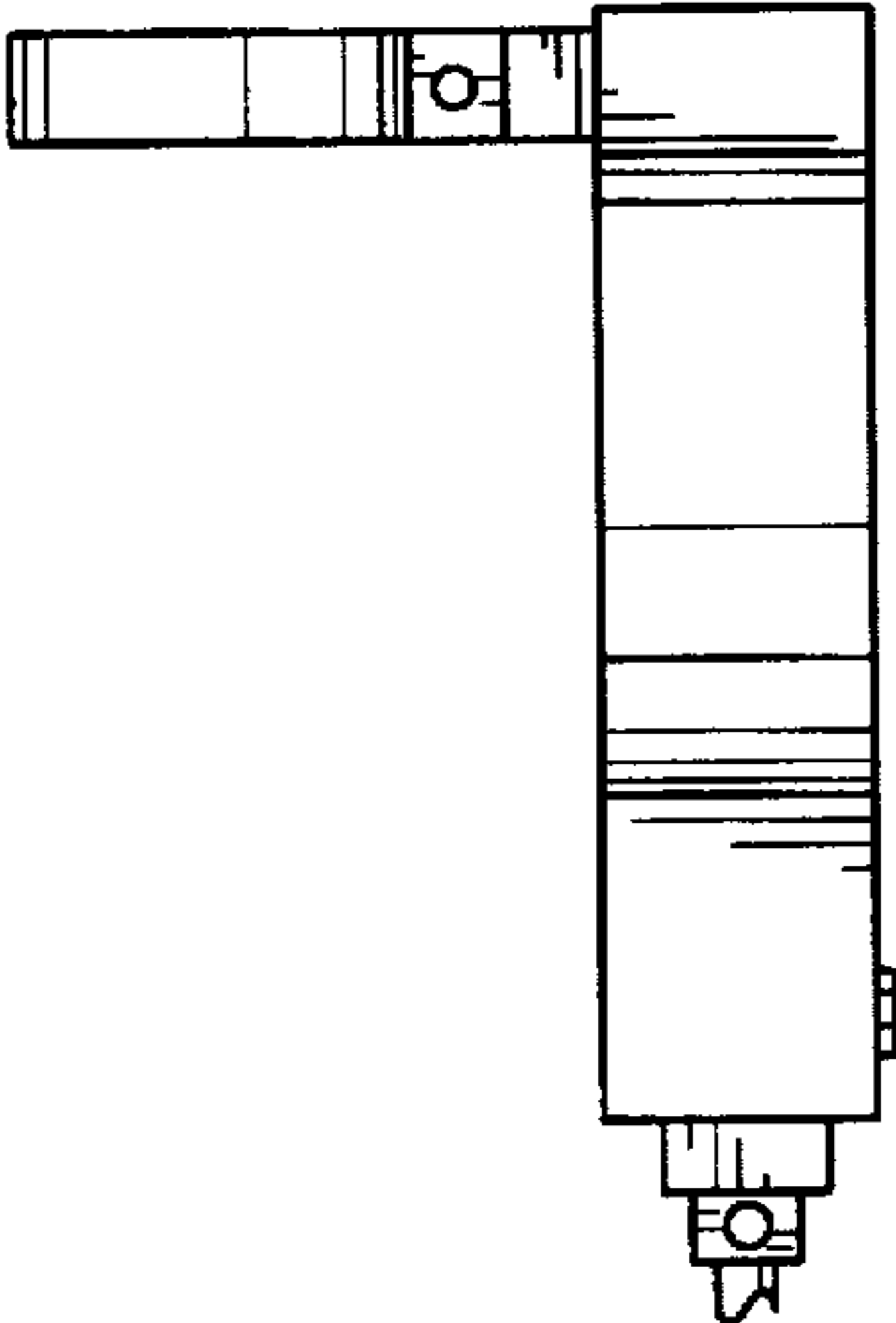


FIG. 4

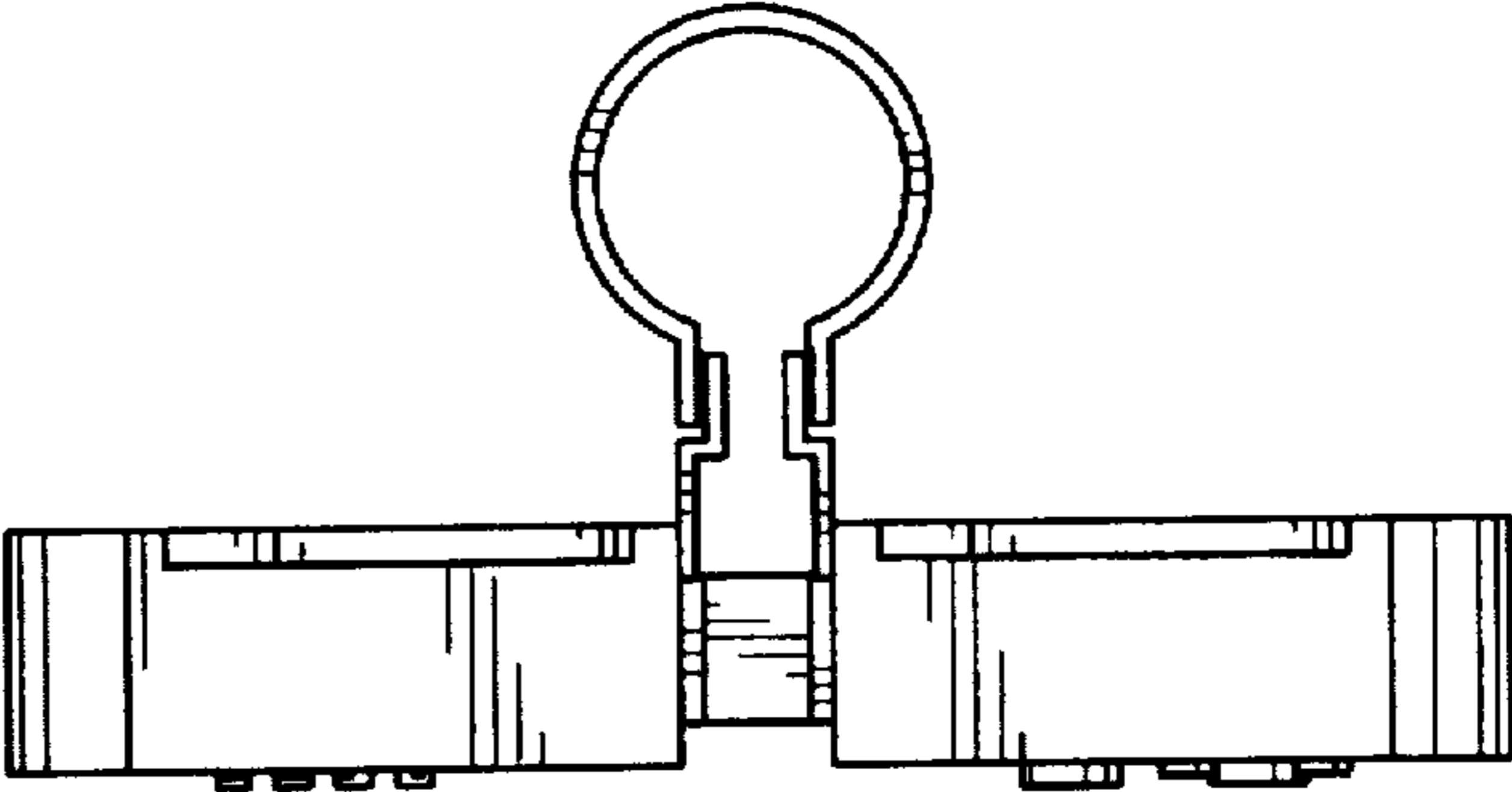


FIG. 5

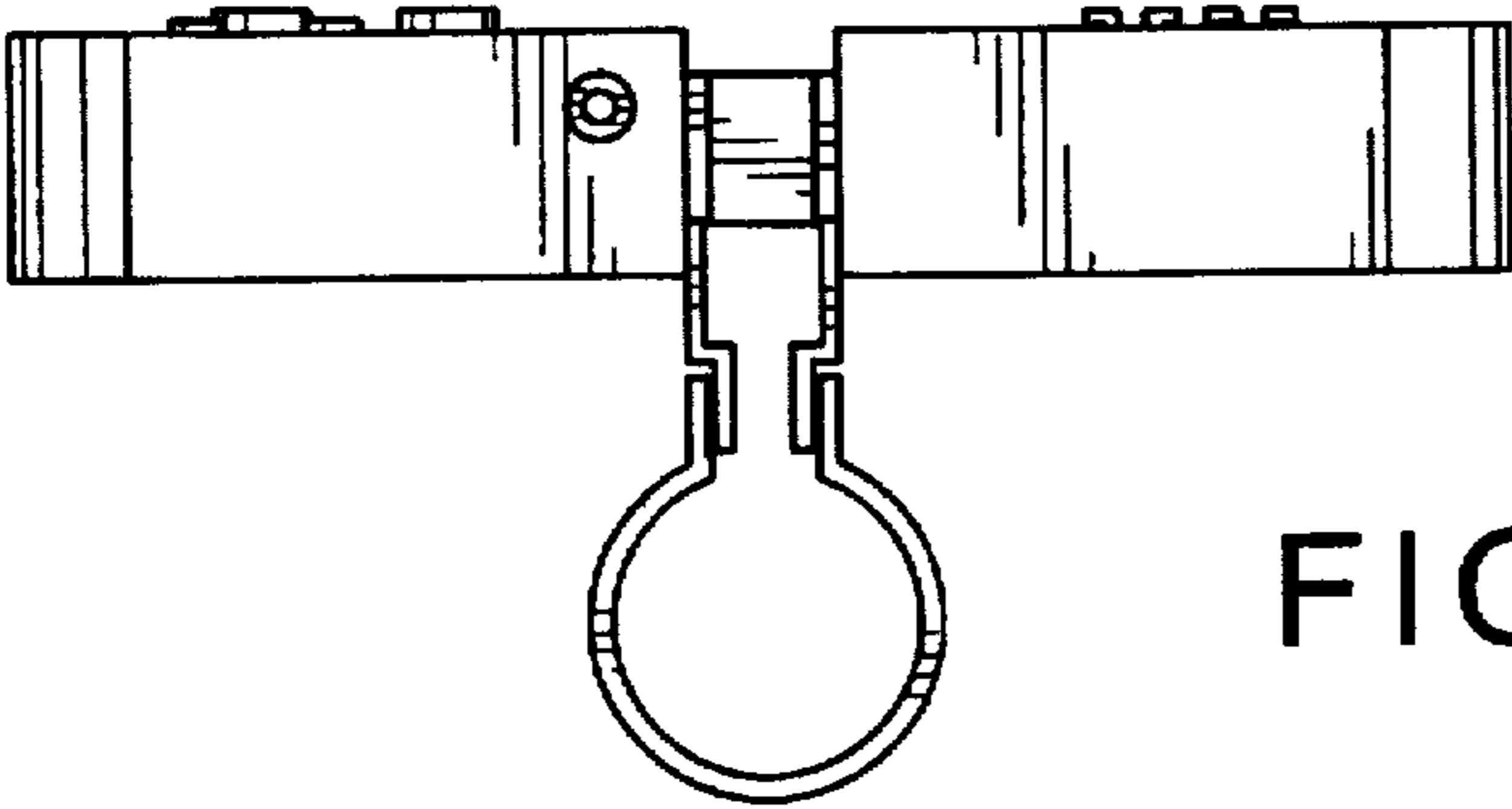


FIG. 6

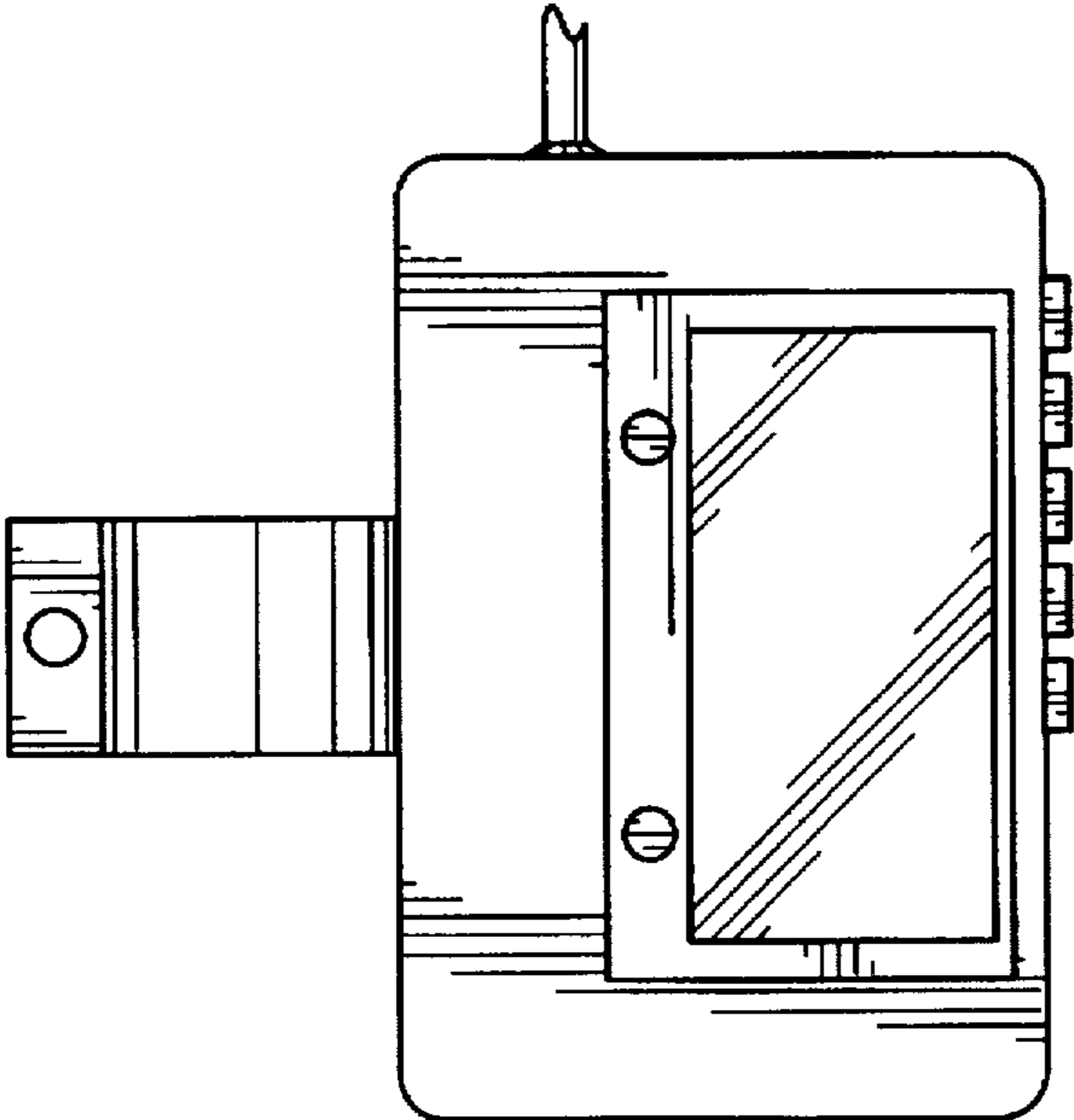


FIG. 7

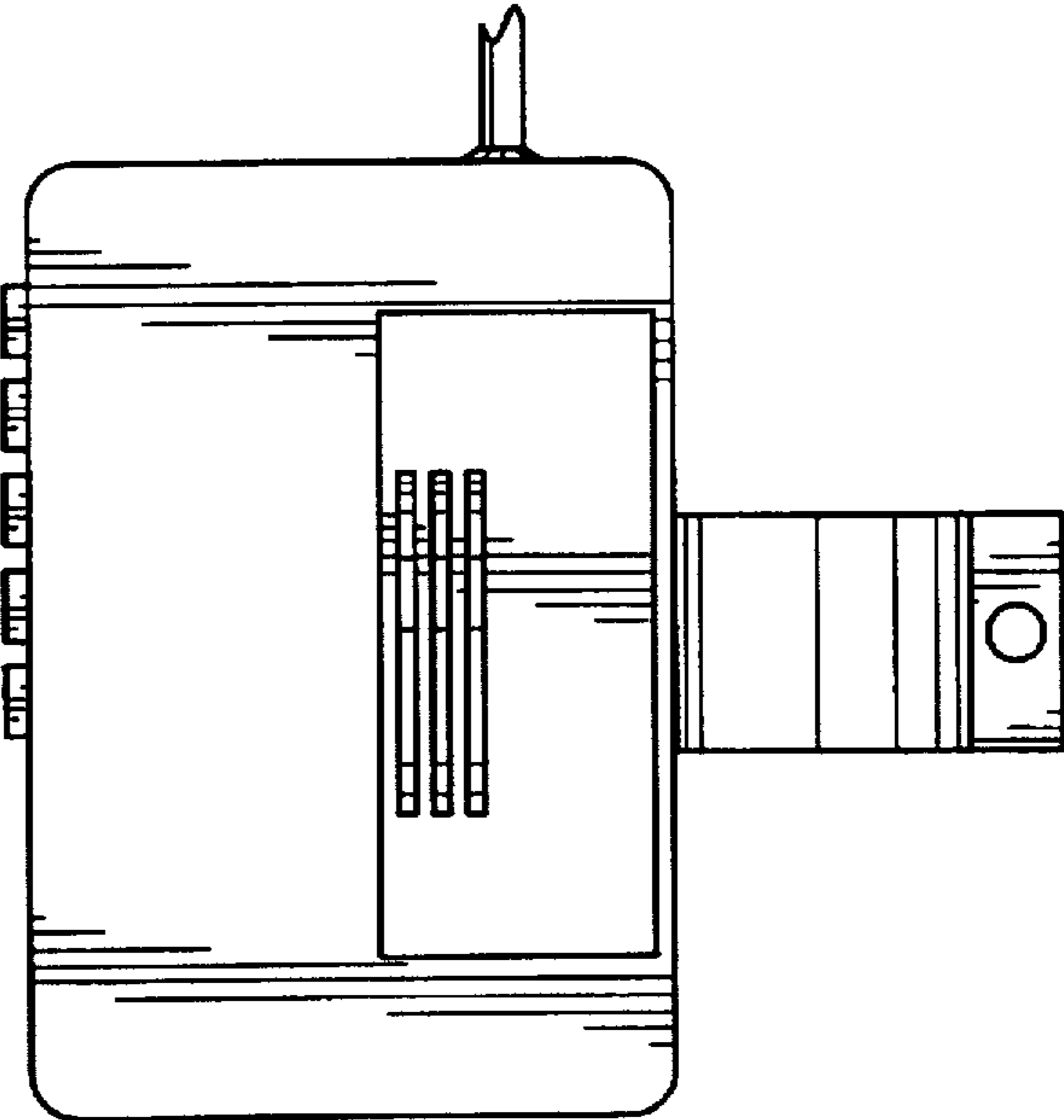


FIG. 8

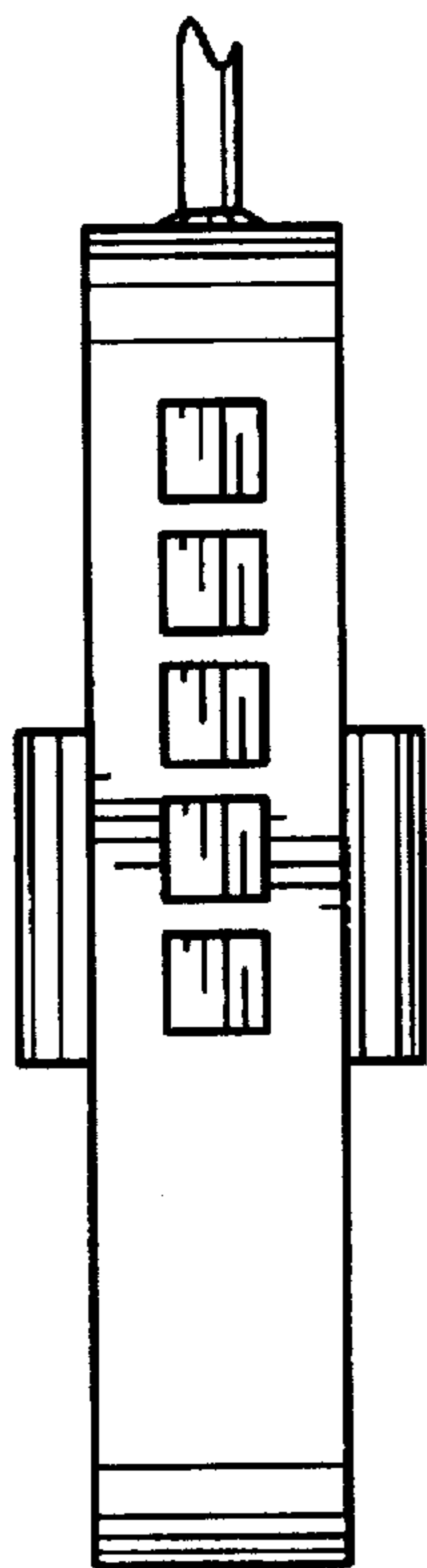


FIG. 9

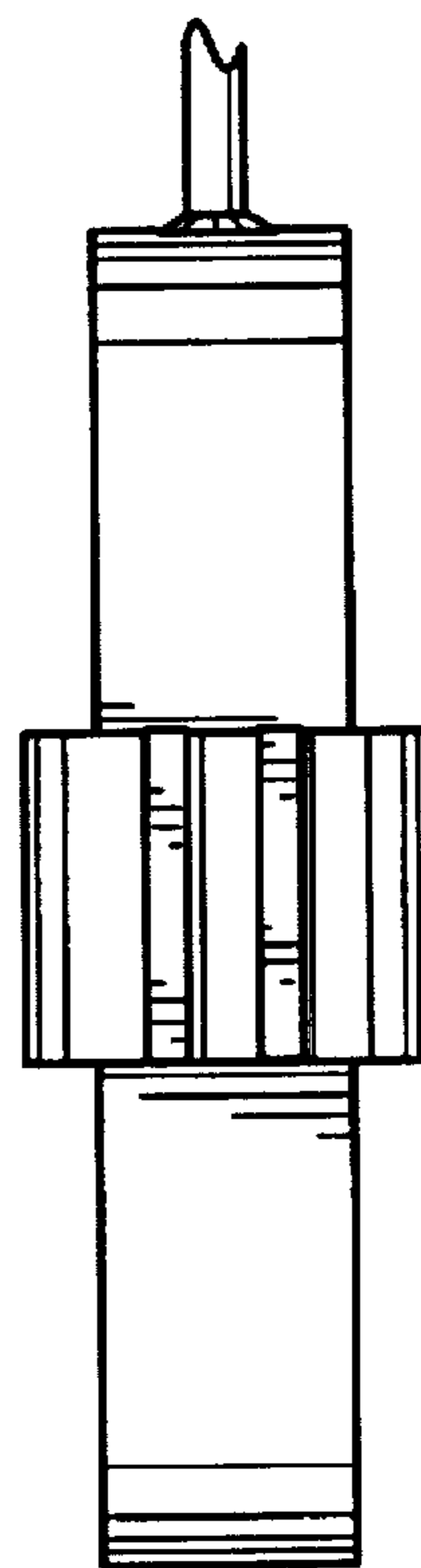


FIG. 10

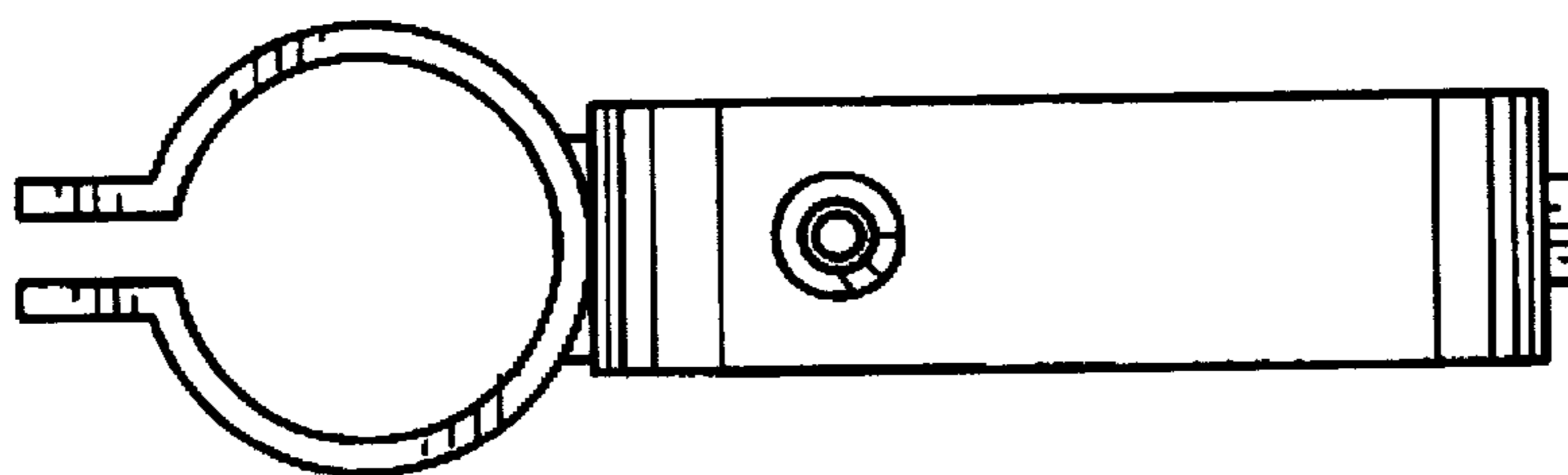


FIG. 11

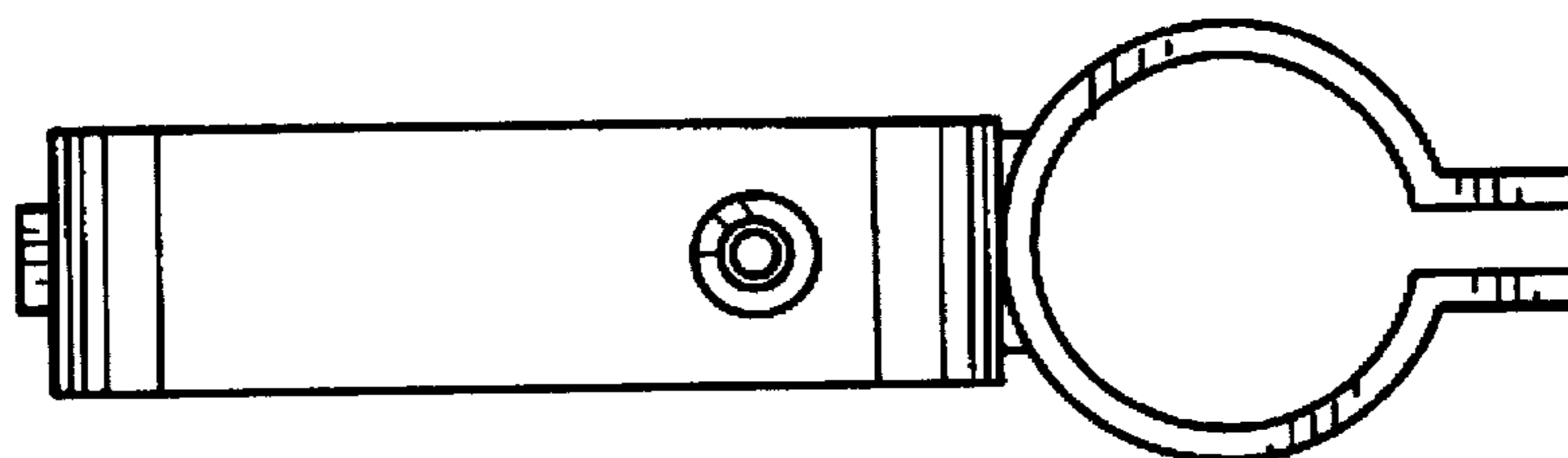


FIG. 12