

US00D389831S

United States Patent [19]
Müller

[11] **Patent Number: Des. 389,831**
[45] **Date of Patent: **Jan. 27, 1998**

- [54] **MULTIMEDIA PHONE SYSTEM**
- [75] **Inventor: Peter H. Müller, Los Gatos, Calif.**
- [73] **Assignee: Mobile Computing Systems Corporation, Burlingame, Calif.**
- [**] **Term: 14 Years**
- [21] **Appl. No.: 68,902**
- [22] **Filed: Apr. 4, 1997**
- [51] **LOC (6) Cl. 14-03**
- [52] **U.S. Cl. D14/149; D14/101; D14/130**
- [58] **Field of Search D14/137, 138, D14/140, 142, 130, 144, 147-151, 240, 241, 101, 100, 118; 379/419, 420, 428, 440, 434-436; D21/111**

- D. 315,557 3/1991 Grewe et al. D14/151 X
- D. 325,381 4/1992 Dennis et al. D14/151
- D. 345,358 3/1994 Hilenmayer et al. D14/151
- D. 345,971 4/1994 Grewe et al. D14/130
- D. 356,791 3/1995 Desbarats D14/130
- D. 365,560 12/1995 Buchin D14/151
- D. 365,821 1/1996 Bales et al. D14/149
- 5,183,431 2/1993 Todokoro D21/111 X

Primary Examiner—Jeffrey Asch
Attorney, Agent, or Firm—Sawyer & Associates

[57] **CLAIM**

The ornamental design for a multimedia phone system, as shown and described.

DESCRIPTION

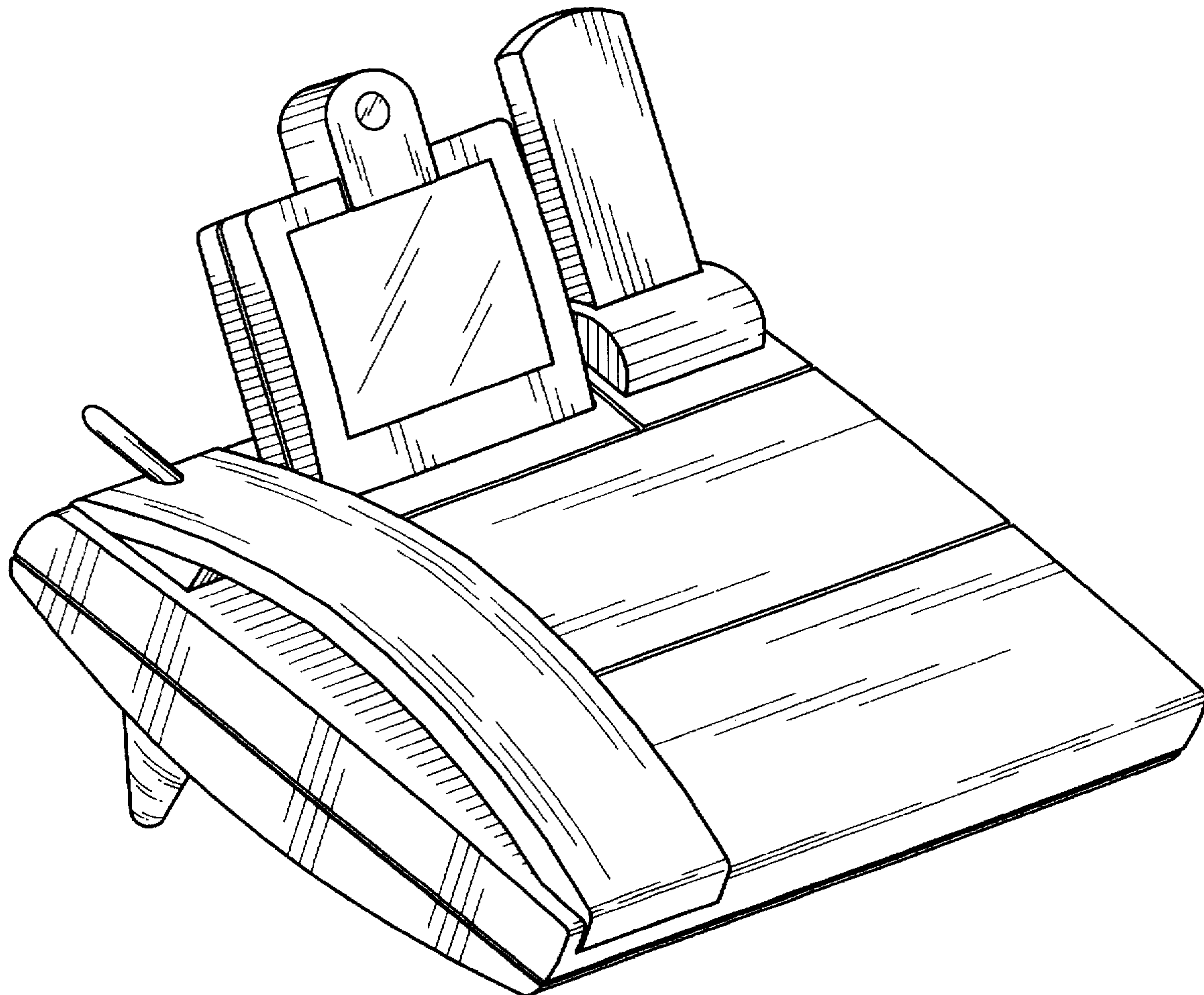
FIG. 1 is a perspective view of the top and left side of a new and original design for a multimedia phone system; FIG. 2 is a perspective view of the top and right side thereof; FIG. 3 is a perspective view of the bottom and left side thereof; and, FIG. 4 is a perspective view of the bottom and right side thereof.

1 Claim, 4 Drawing Sheets

[56] **References Cited**

U.S. PATENT DOCUMENTS

- D. 295,041 4/1988 Wong et al. D14/144
- D. 303,522 9/1989 Meda et al. D14/151 X
- D. 305,423 1/1990 Gilmore et al. D14/101



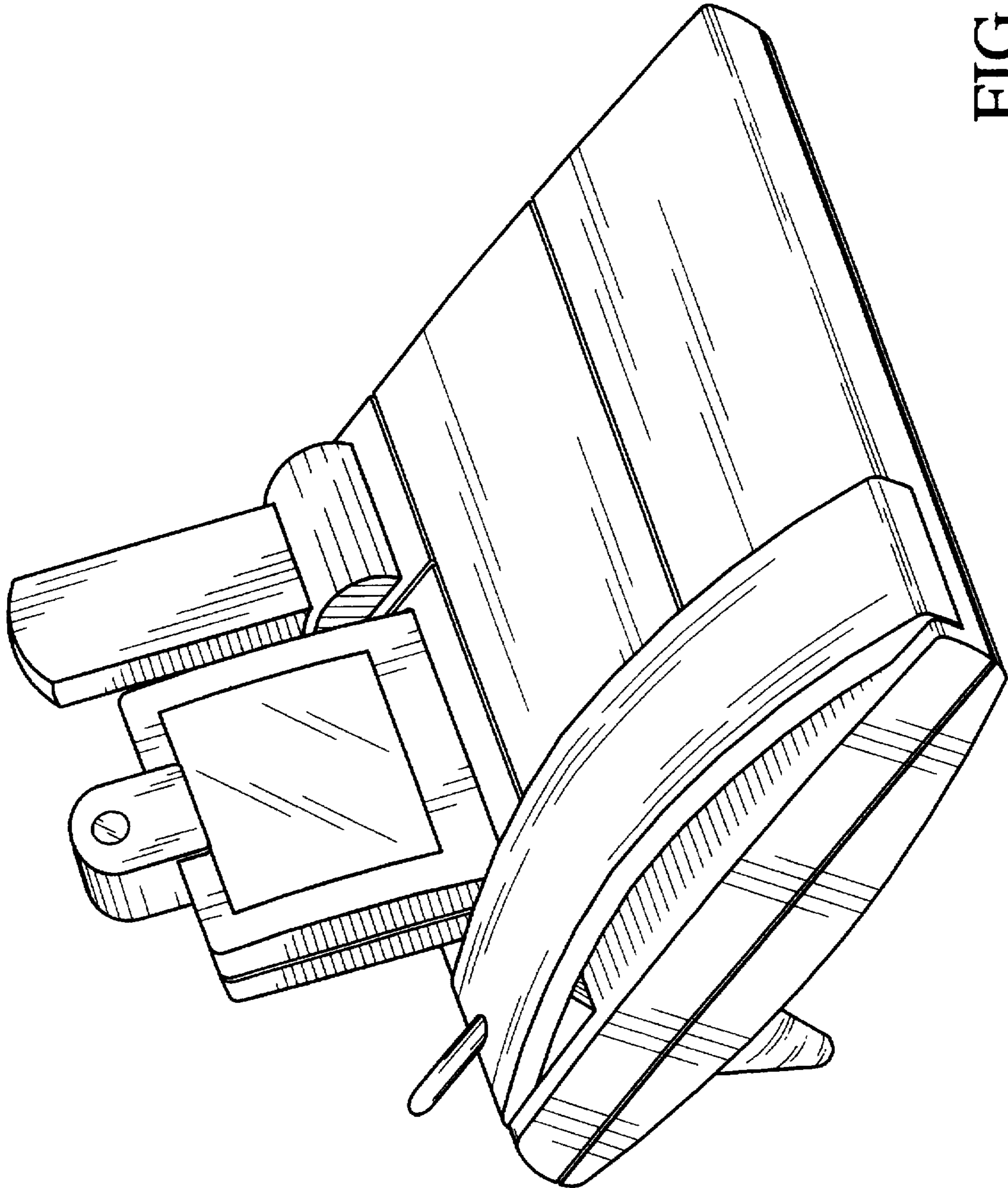


FIG. 1

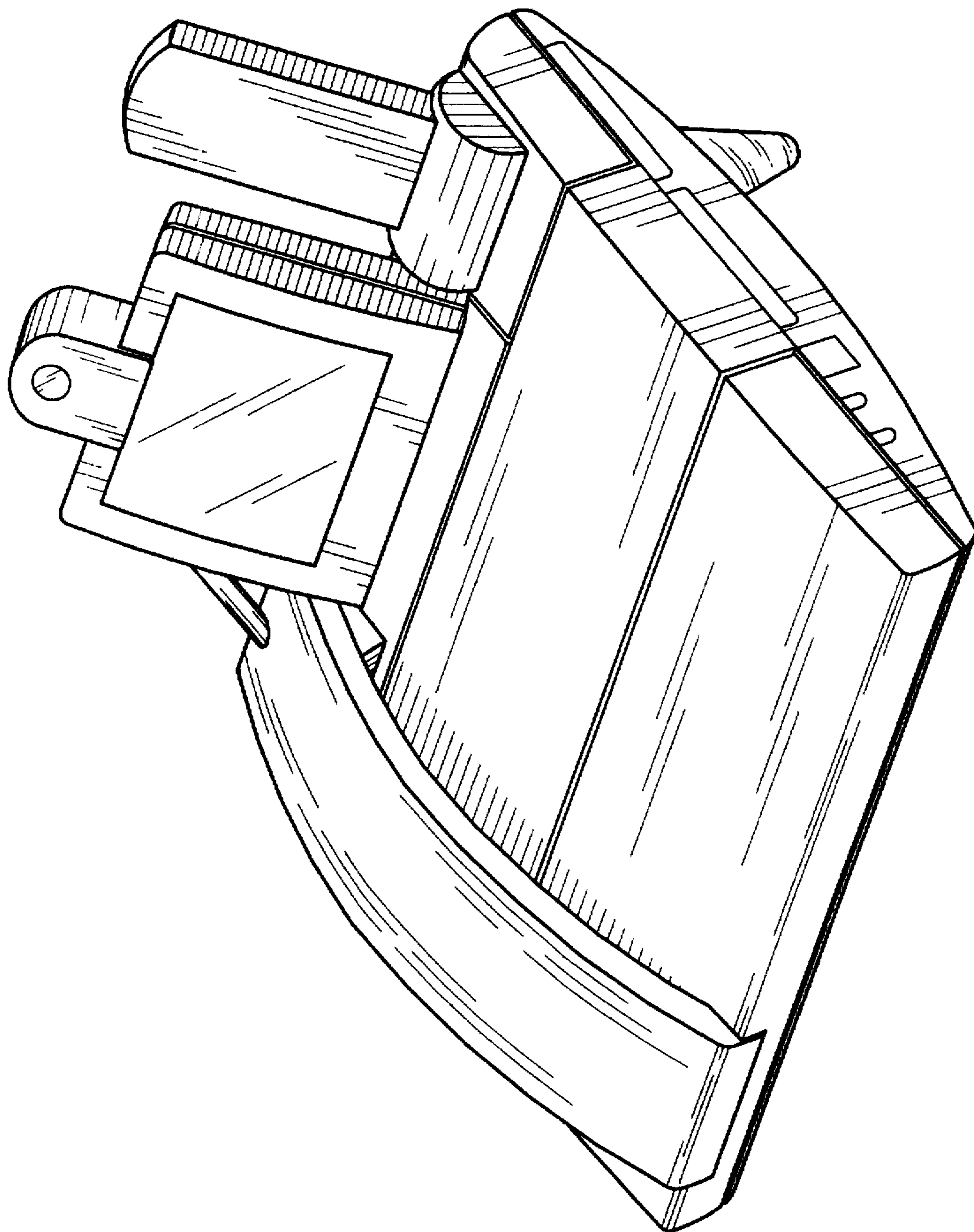


FIG. 2

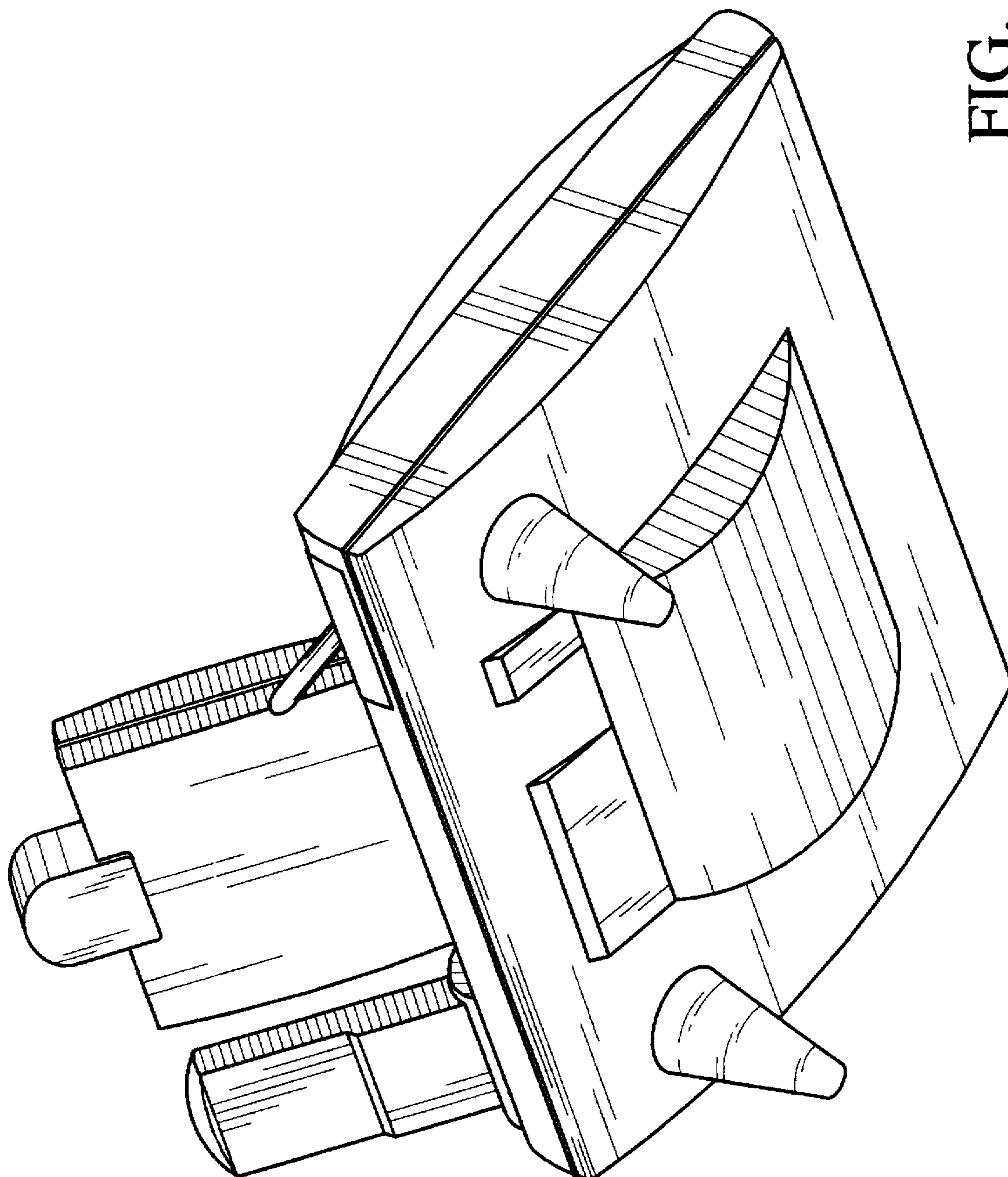


FIG. 3

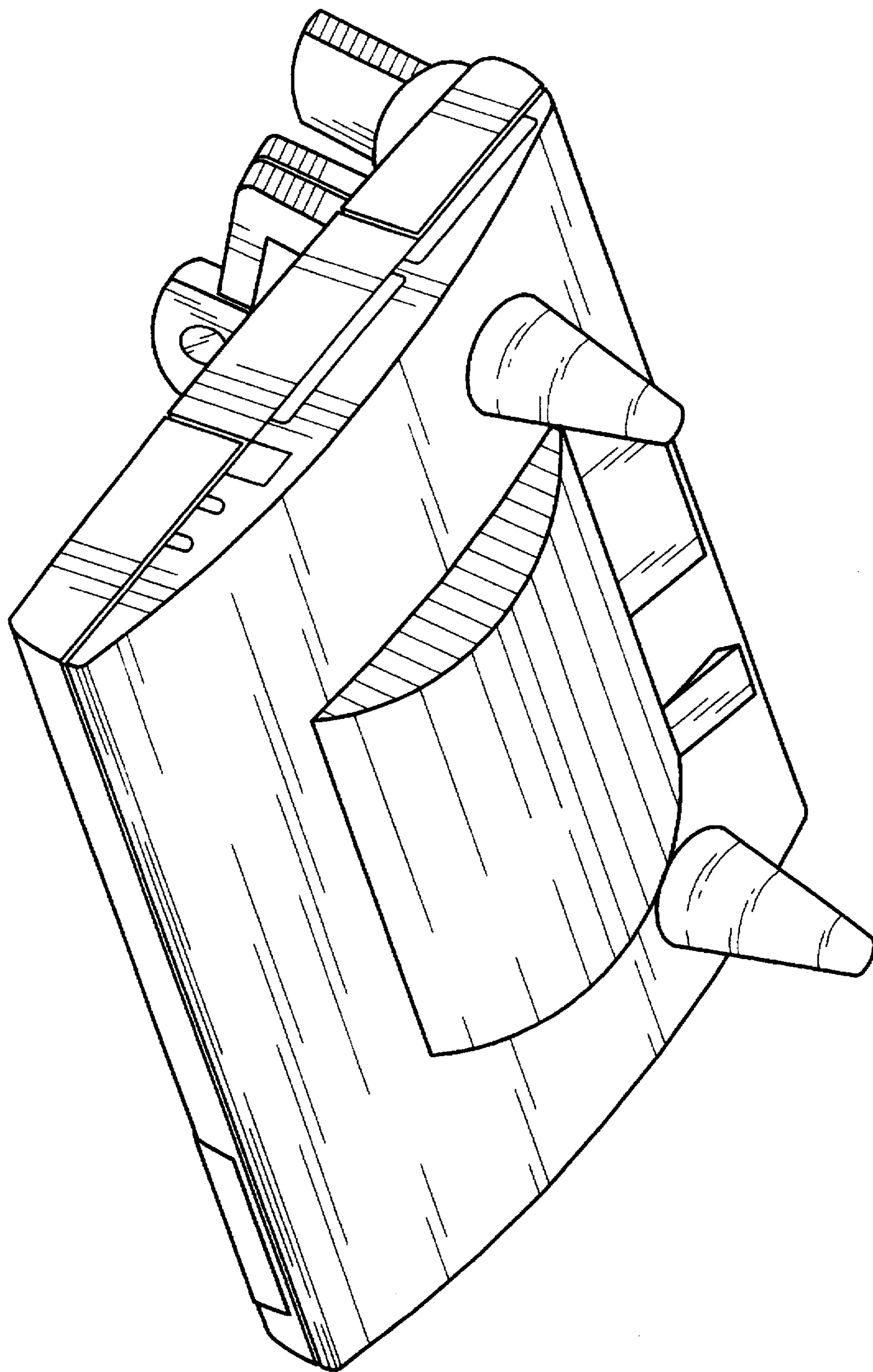


FIG. 4