



US00D389826S

# United States Patent [19] Cousins

[11] Patent Number: Des. 389,826  
[45] Date of Patent: \*\*Jan. 27, 1998

[54] COMBINED VIDEOCASSETTE RECORDER  
AND REMOTE CONTROL

[76] Inventor: Ron Cousins, 302 Greenleaf, Highland  
Village, Tex. 75067

[\*\*] Term: 14 Years

[21] Appl. No.: 60,822

[22] Filed: Oct. 8, 1996

[51] LOC (6) Cl. .... 14-01

[52] U.S. Cl. .... D14/135; D14/124; D16/130;  
D21/240; D24/172

[58] Field of Search ..... D14/124, 125,  
D14/135, 136, 156, 239, 299; D16/130-133;  
D21/13, 48, 240; 351/158; D24/172; 359/409;  
386/46

### [56] References Cited

#### U.S. PATENT DOCUMENTS

D. 300,476 3/1989 Sestak ..... D16/130 X  
D. 351,622 10/1994 Holmes ..... D321/240  
4,971,429 11/1990 Ishido et al. .... 359/409

#### OTHER PUBLICATIONS

Hong Kong Enterprises, Oct. 1993 Catalog, p. 467 Sunset  
Industries Ltd. Binoculars, #304.

Primary Examiner—Prabhakar G. Deshmukh

Assistant Examiner—Richelle Shelton  
Attorney, Agent, or Firm—Harold H. Dutton, Jr.

### [57] CLAIM

The ornamental design for a combined videocassette  
recorder and remote control, as shown and described.

### DESCRIPTION

FIG. 1 is a perspective view of a combined videocassette  
recorder and remote control showing my new design, with  
the cord shown fragmented for ease of illustration and  
indeterminate length;

FIG. 2 is a top view of the headset portion thereof;

FIG. 3 is a bottom view thereof;

FIG. 4 is a front view thereof;

FIG. 5 is a rear view thereof;

FIG. 6 is a right view thereof;

FIG. 7 is a left view thereof;

FIG. 8 is a front view of the control portion thereof;

FIG. 9 is a rear view thereof;

FIG. 10 is a left view thereof;

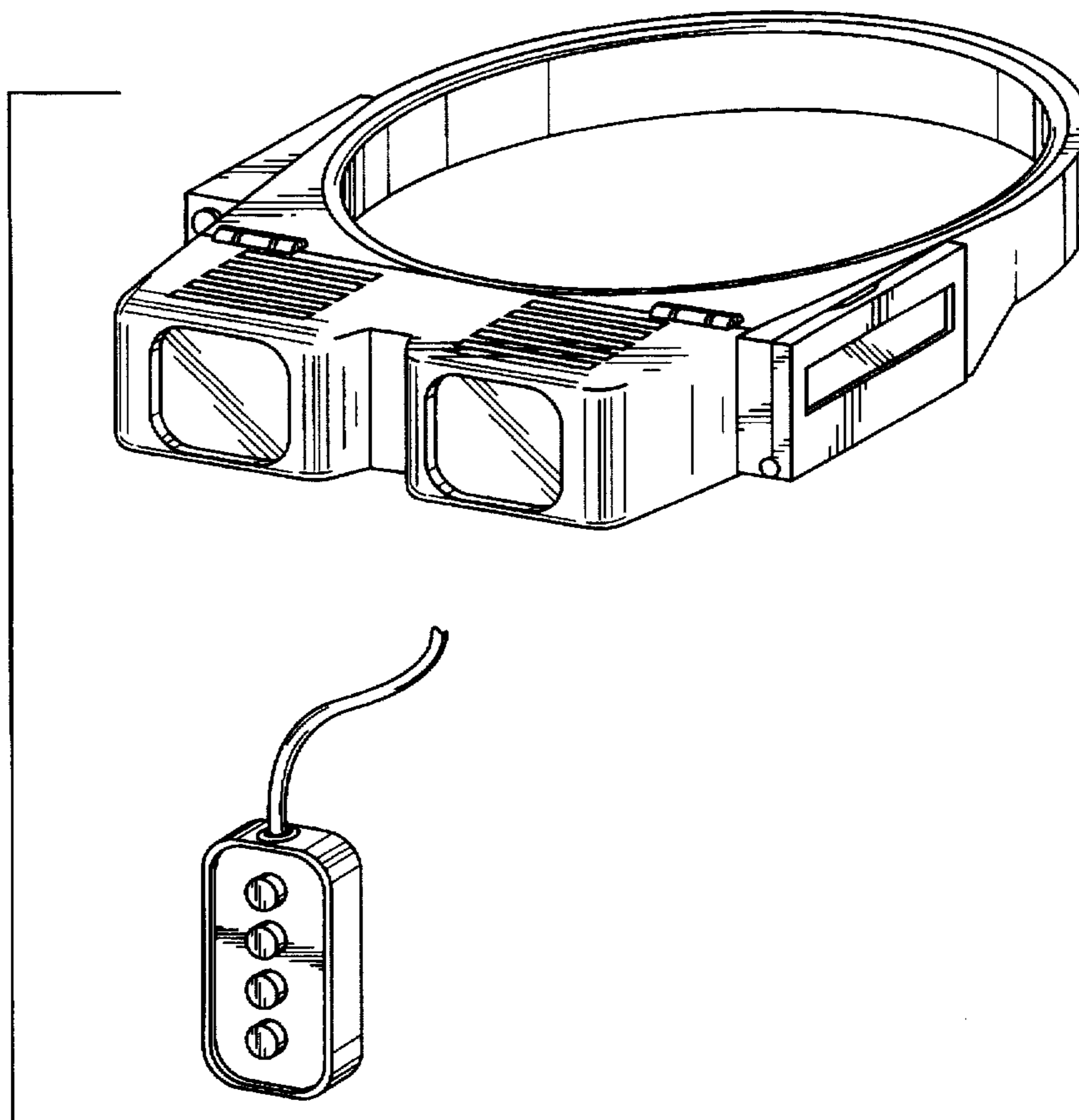
FIG. 11 is a top view thereof; and,

FIG. 12 is a bottom view thereof.

The right view of the control portion is a mirror image of  
FIG. 10 .

The headset and control portions of the claimed design are  
shown separately in FIGS. 2-7 and 8-12 respectively for  
clarity of illustration only.

1 Claim, 7 Drawing Sheets



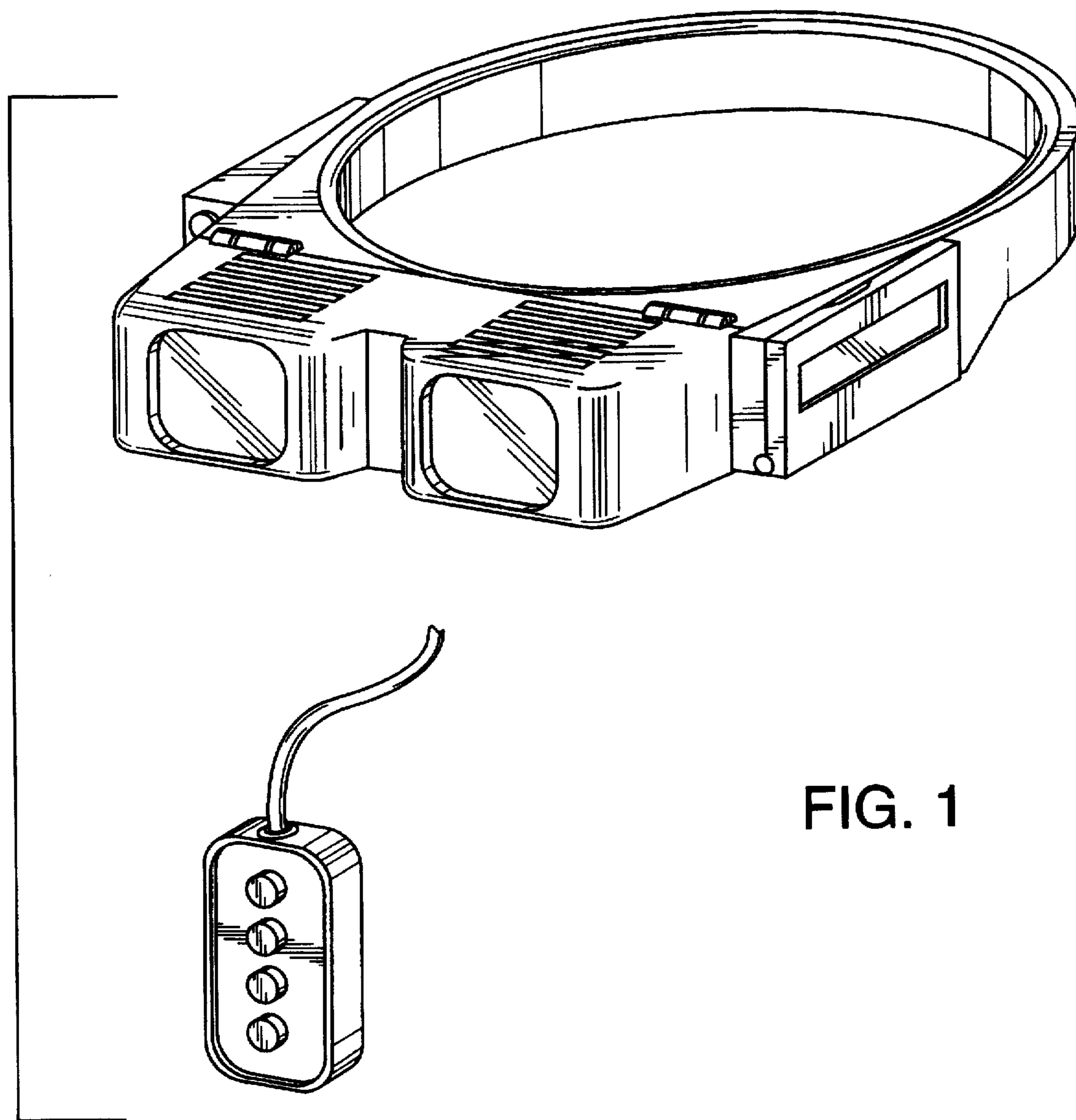


FIG. 1

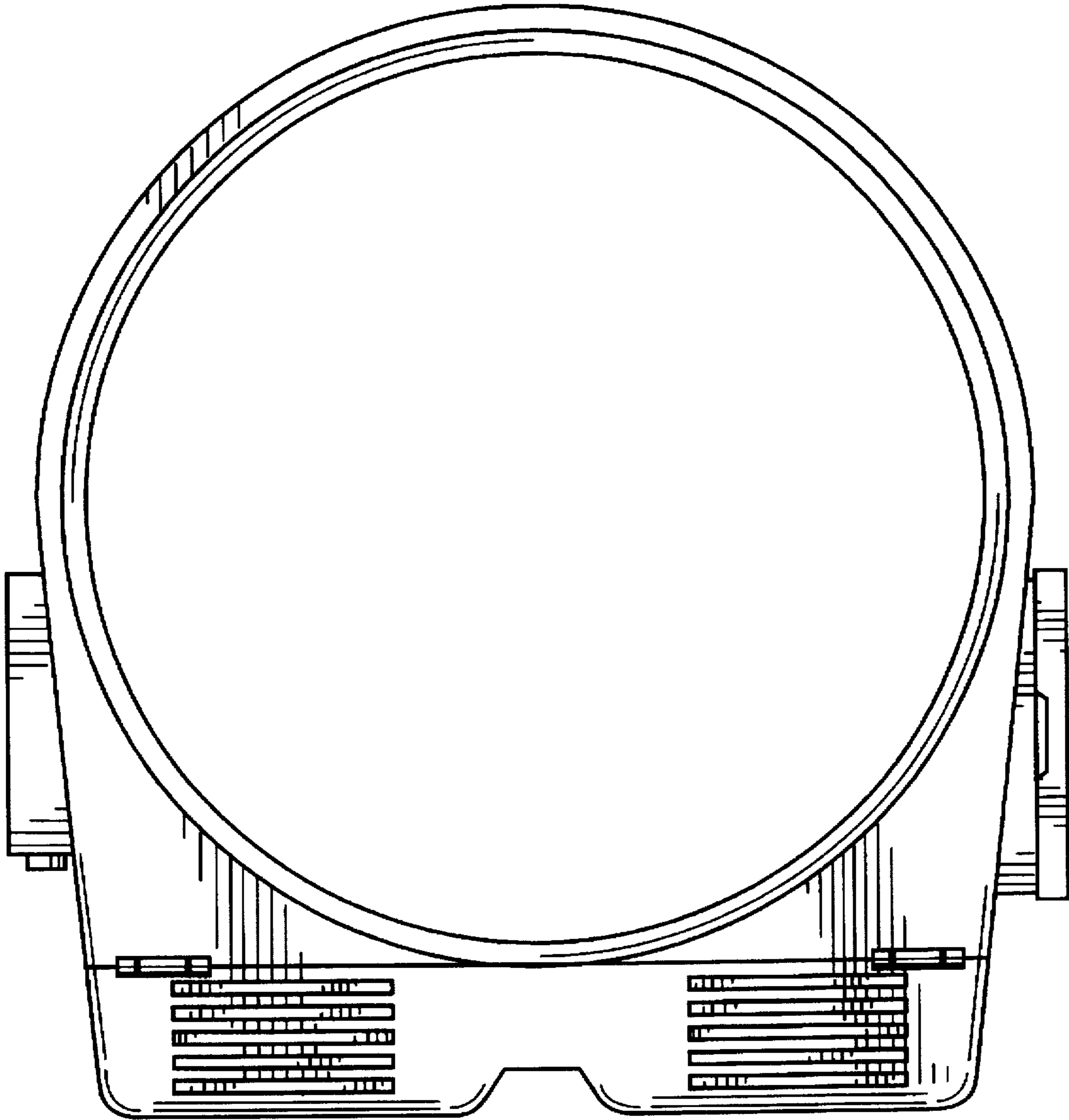


FIG. 2

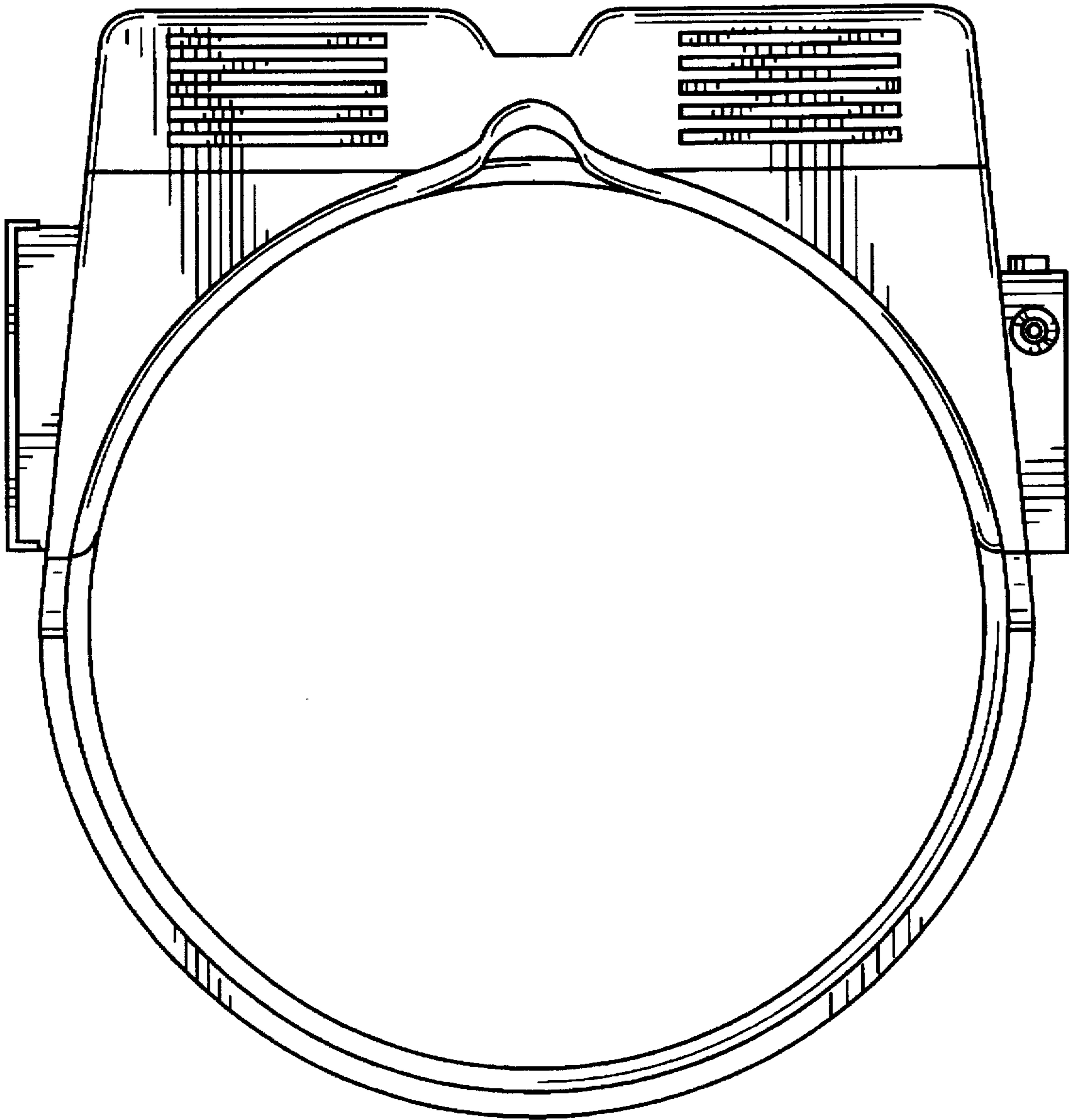


FIG. 3

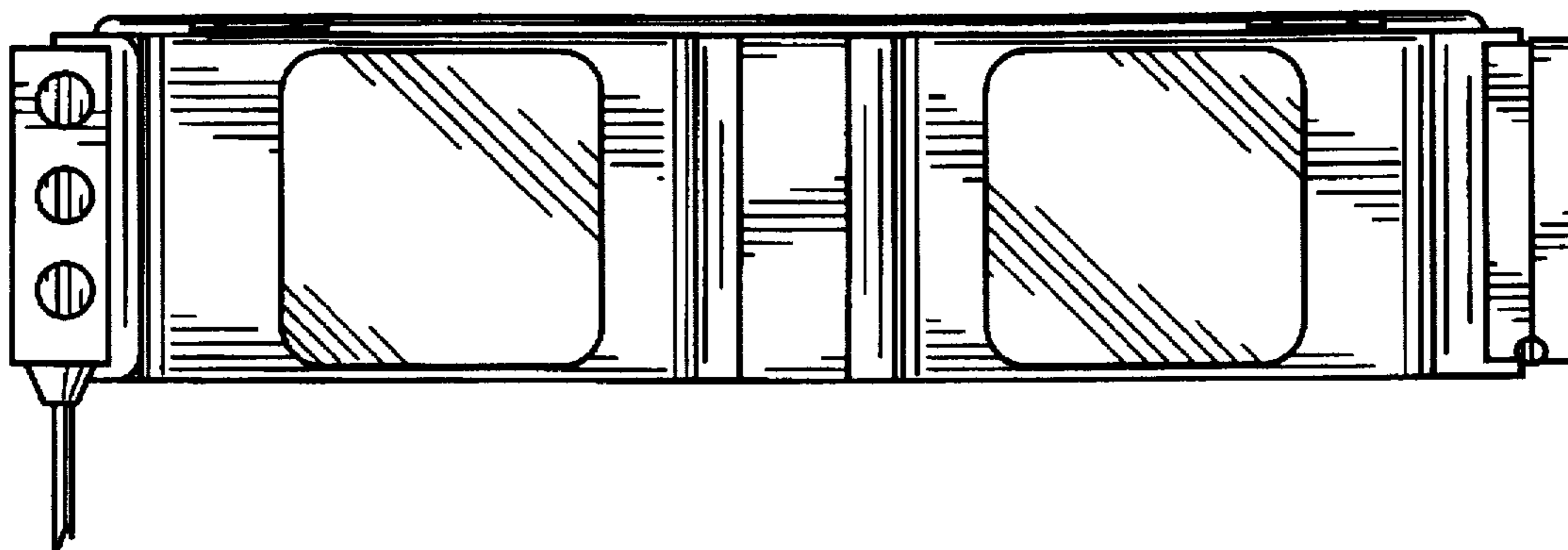


FIG. 4

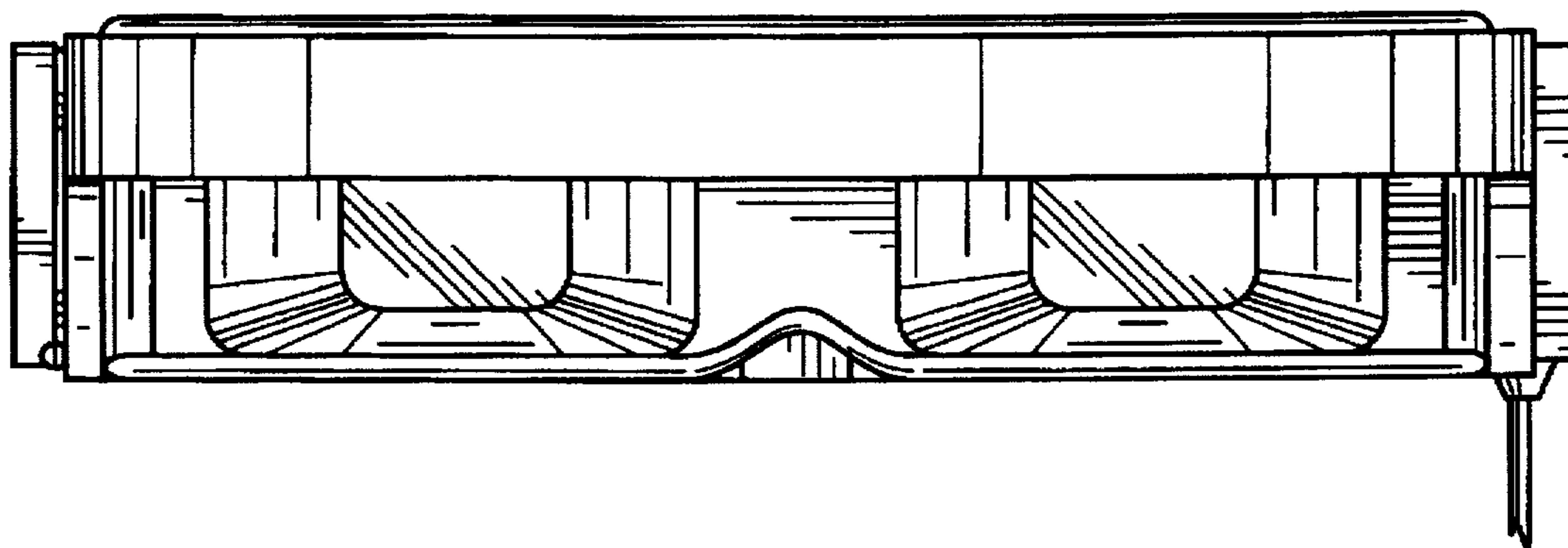


FIG. 5

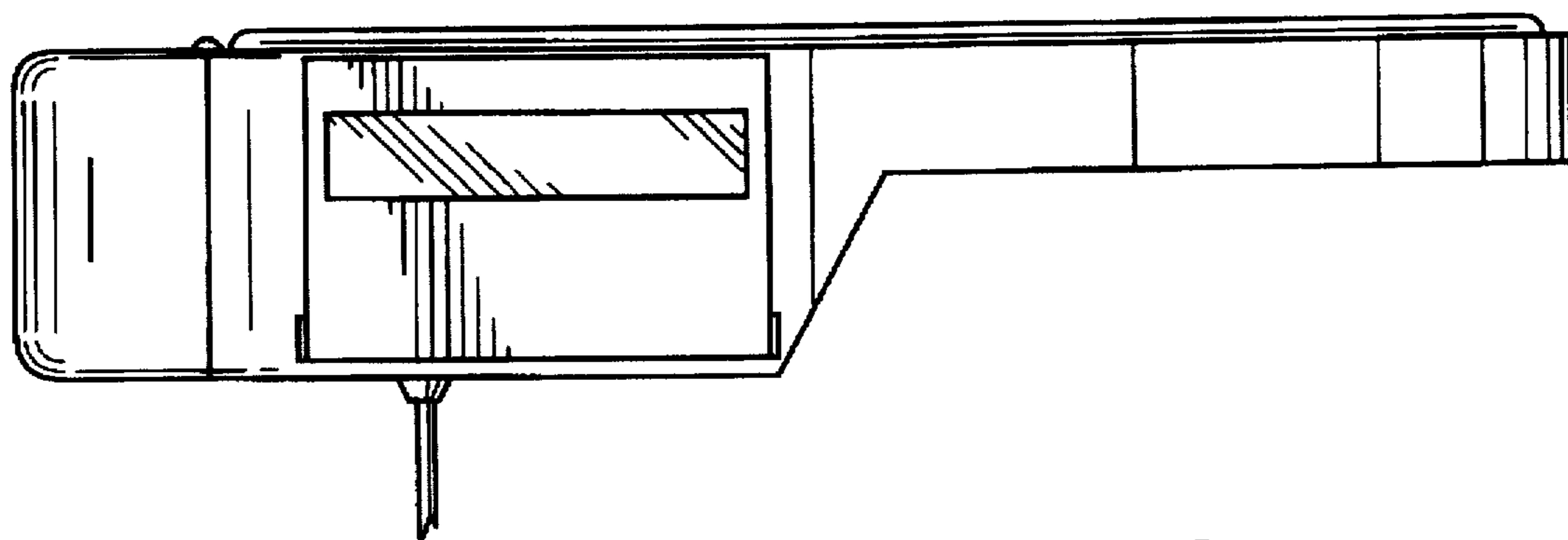


FIG. 6

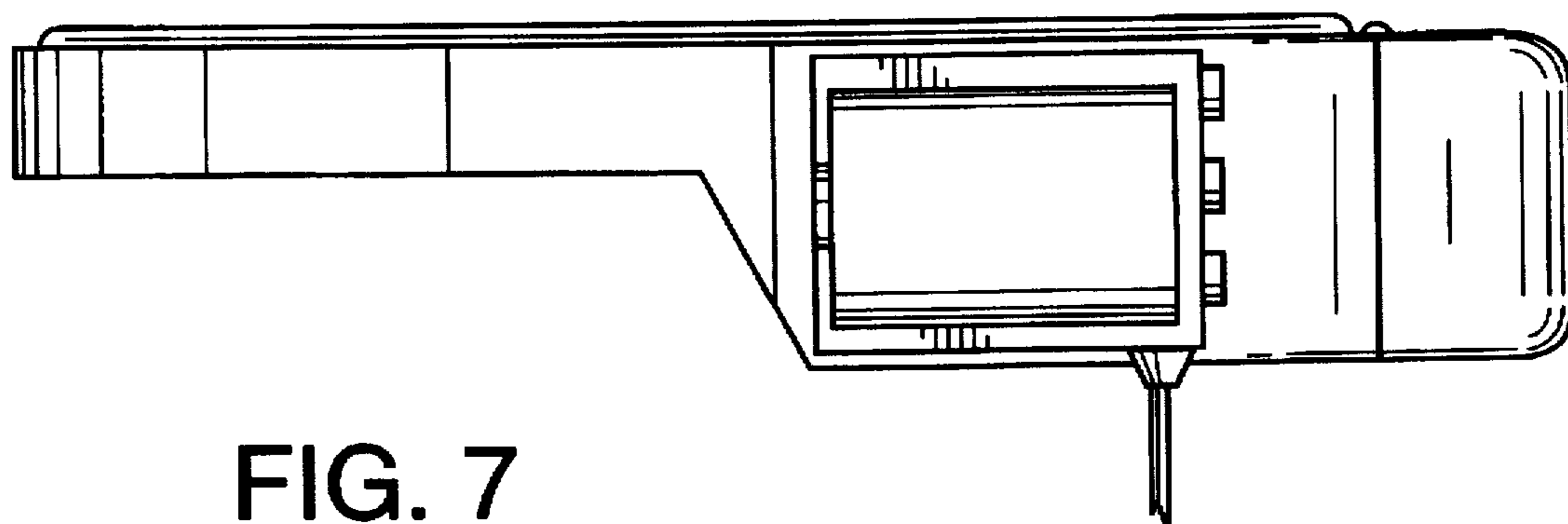


FIG. 7

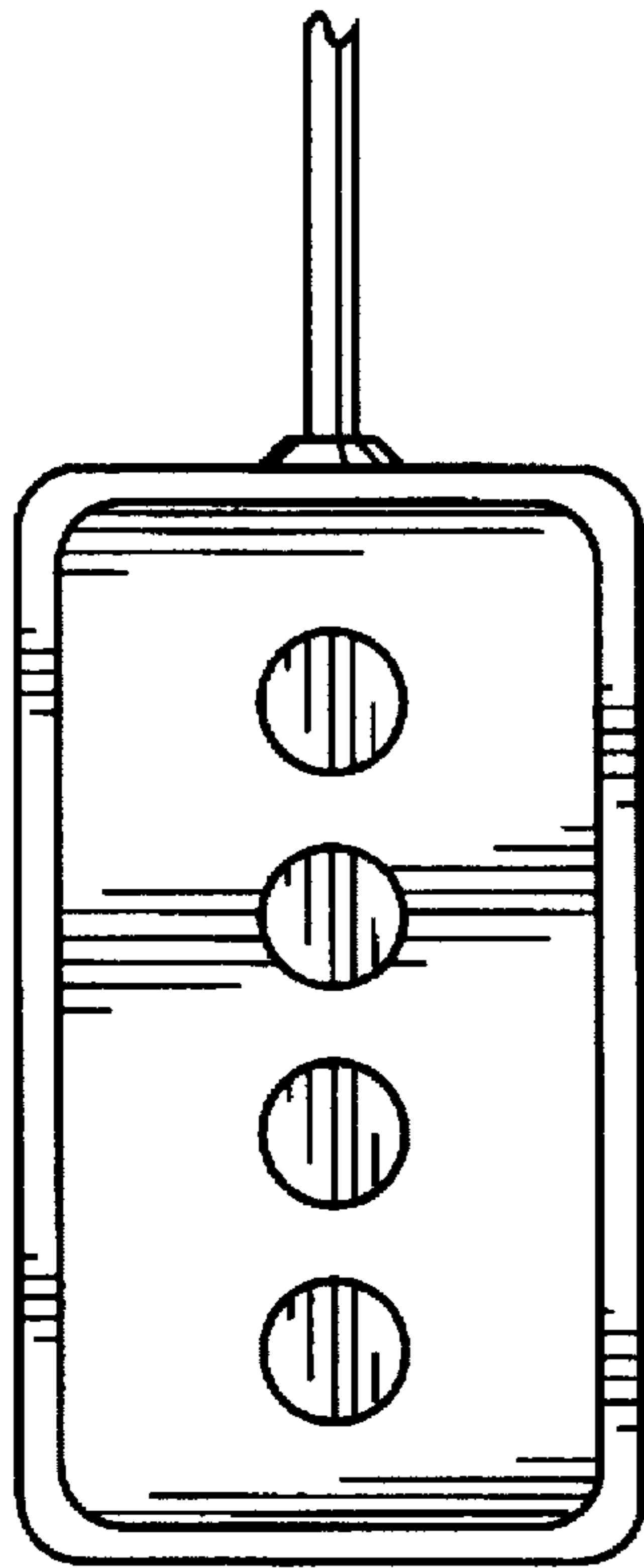


FIG. 8

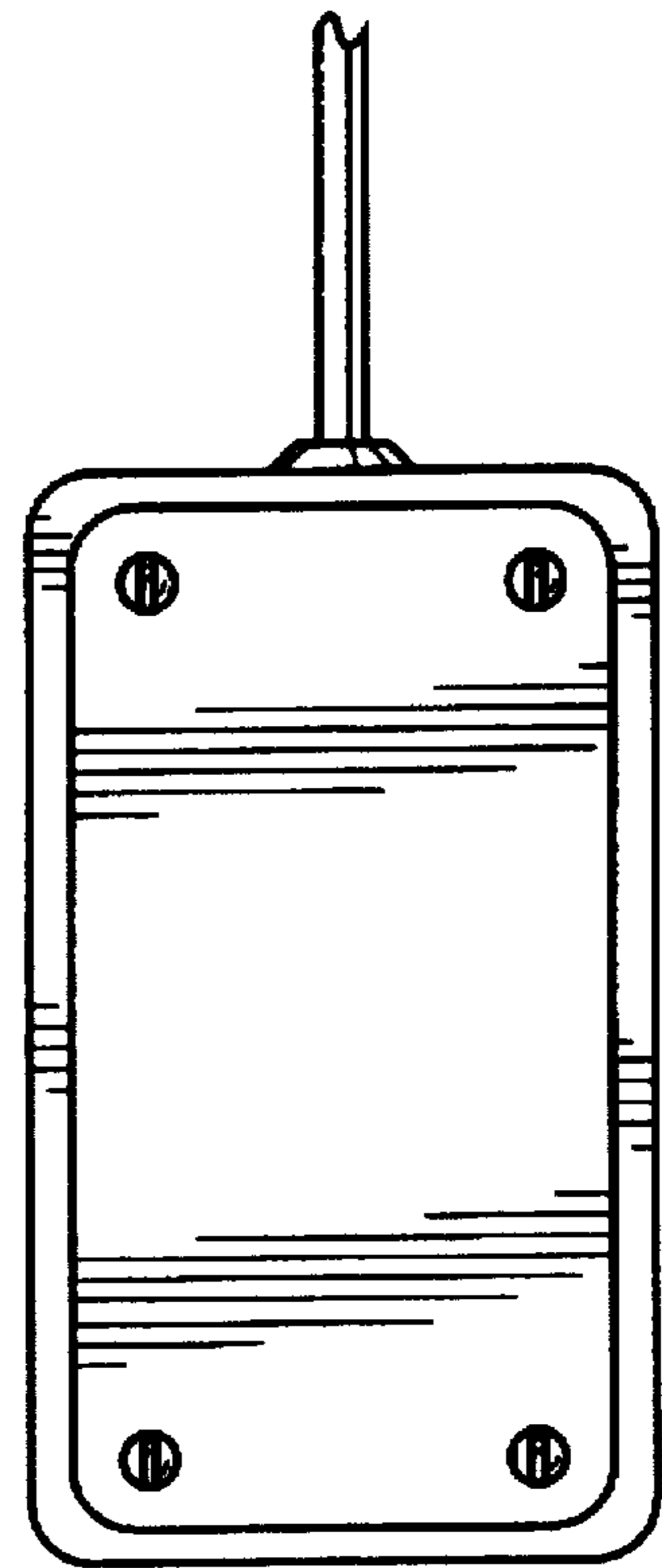


FIG. 9

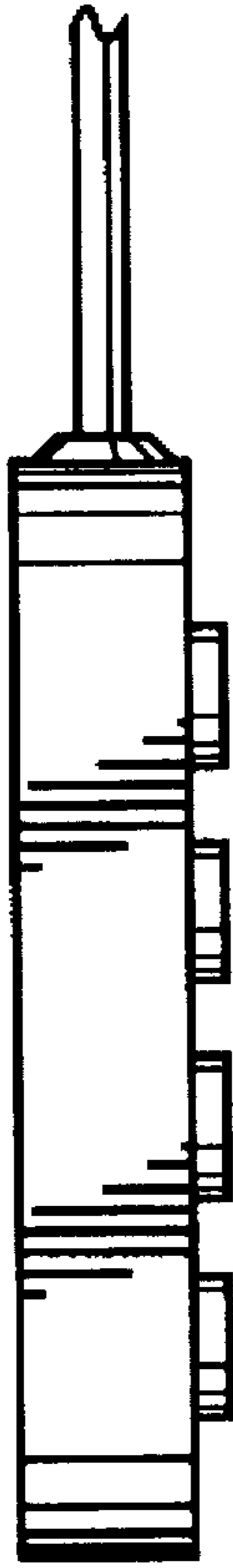


FIG. 10

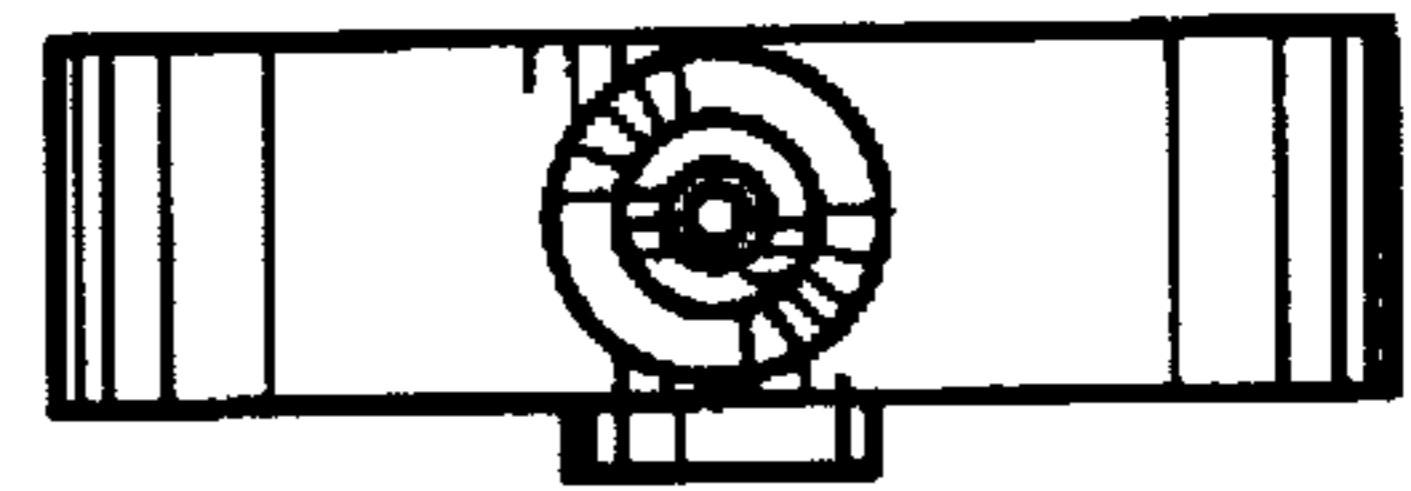


FIG. 11



FIG. 12