



US00D389825S

# United States Patent [19] Shin

[11] Patent Number: **Des. 389,825**  
[45] Date of Patent: **\*\*Jan. 27, 1998**

[54] **TELEVISION RECEIVER HAVING HINGED DOORS**

[75] Inventor: **Seon Soo Shin**, Seoul, Rep. of Korea

[73] Assignee: **Samsung Electronics Co., Ltd.**,  
Suwon, Rep. of Korea

[\*\*] Term: **14 Years**

[21] Appl. No.: **62,486**

[22] Filed: **Nov. 15, 1996**

[30] **Foreign Application Priority Data**

May 16, 1996 [KR] Rep. of Korea ..... 969564

[51] LOC (6) Cl. .... 14-03

[52] U.S. Cl. .... D14/132; D14/113

[58] Field of Search ..... D14/113, 124-134;  
348/825, 836, 838; 312/7.2

[56] **References Cited**

**U.S. PATENT DOCUMENTS**

- D. 224,159 7/1972 Griffin ..... D14/133
- D. 276,611 12/1984 Takahashi et al. .... D14/128
- D. 307,584 5/1990 Saeki et al. .... D14/126
- D. 309,732 8/1990 Nuttall et al. .... D14/113
- D. 319,821 9/1991 Kawaguchi ..... D14/113
- D. 324,677 3/1992 Gratton et al. .... D14/126

- D. 340,922 11/1993 Barbera ..... D14/113
- D. 364,607 11/1995 Backs ..... D14/113

*Primary Examiner*—Prabhakar G. Deshmukh  
*Assistant Examiner*—Richelle Shelton  
*Attorney, Agent, or Firm*—Irving Keschner

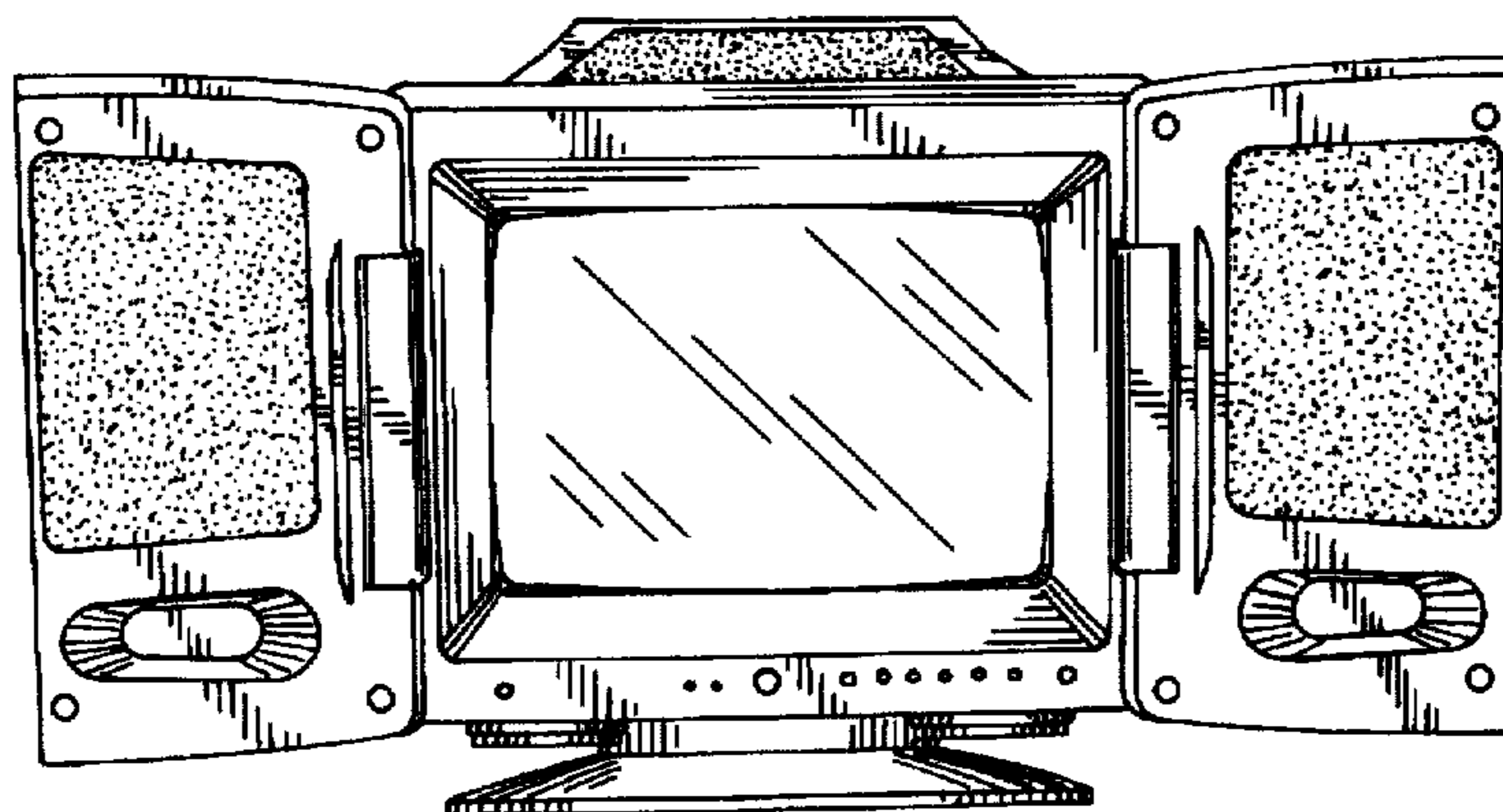
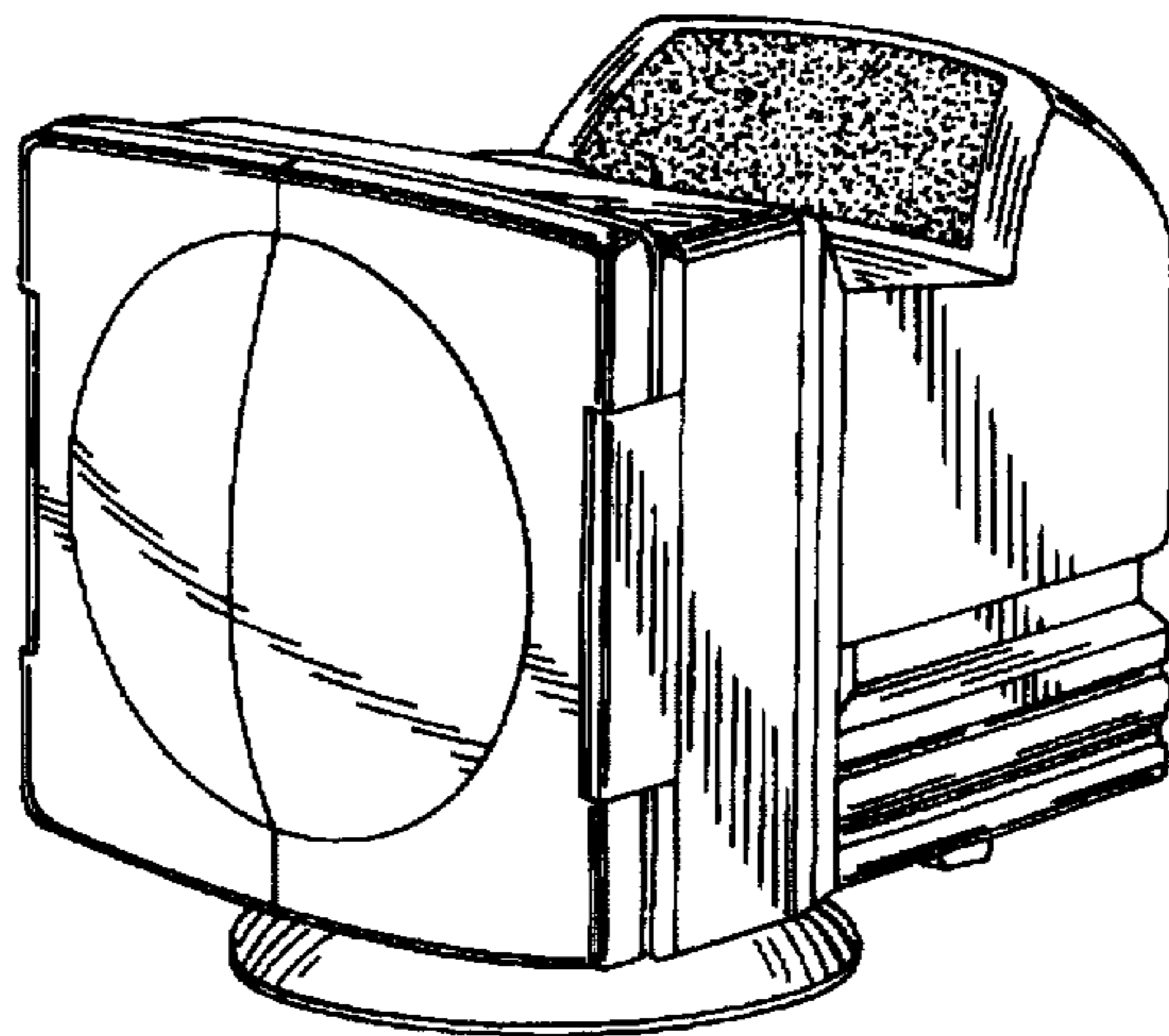
[57] **CLAIM**

The ornamental design for a television receiver having hinged doors, as shown and described.

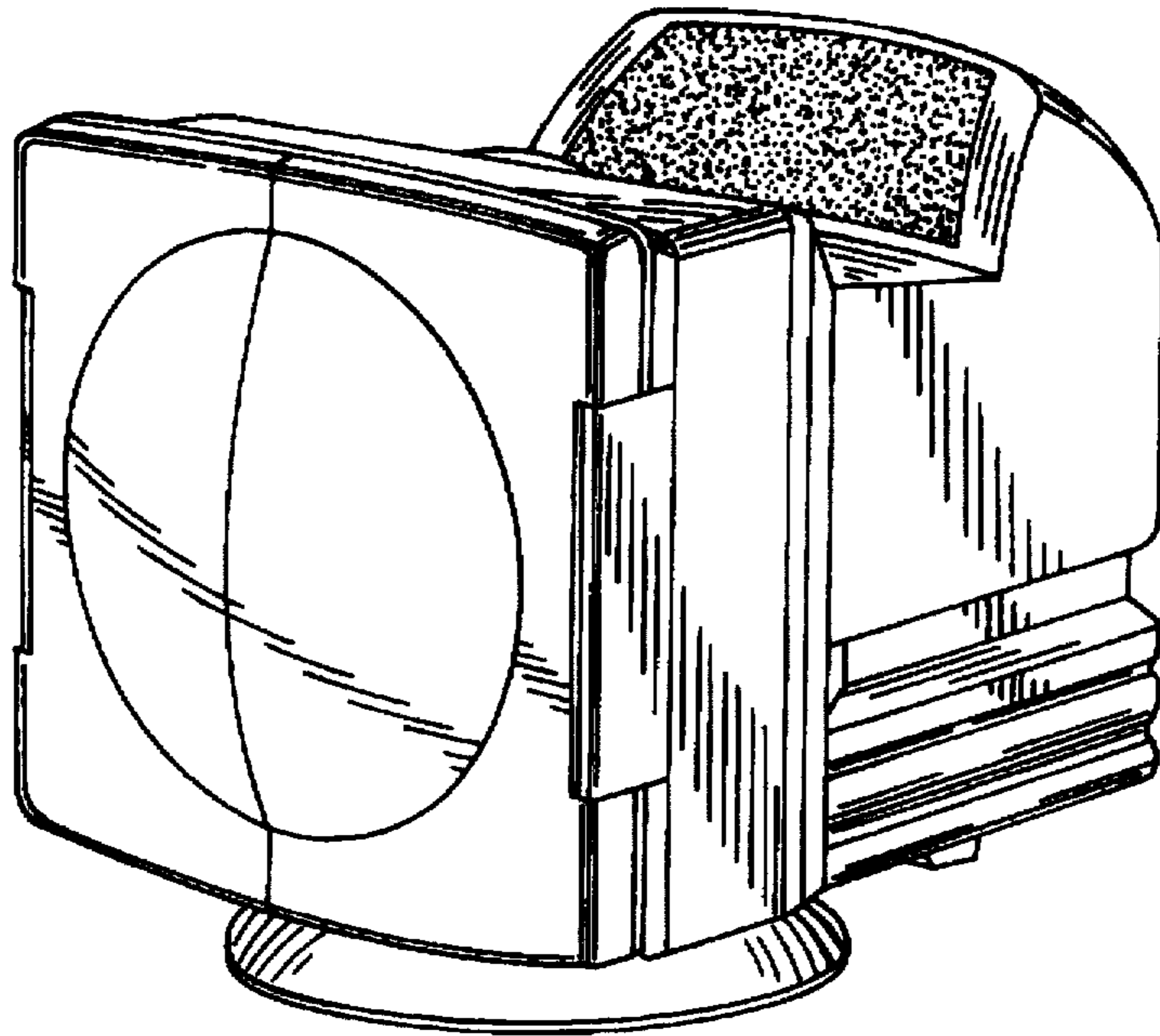
**DESCRIPTION**

FIG. 1 is a perspective view of the ornamental design of the present invention;  
 FIG. 2 is a top plan view of the ornamental design of the present invention;  
 FIG. 3 is a bottom view of the ornamental design of the present invention;  
 FIG. 4 is a front elevation view of the ornamental design of the present invention;  
 FIG. 5 is a rear elevational view of the ornamental design of the present invention;  
 FIG. 6 is a right side elevational view of the ornamental design of the present invention, the left side elevational view being a mirror image; and,  
 FIG. 7 is a front elevational view of the ornamental design of the present invention with the hinged doors in the open position.

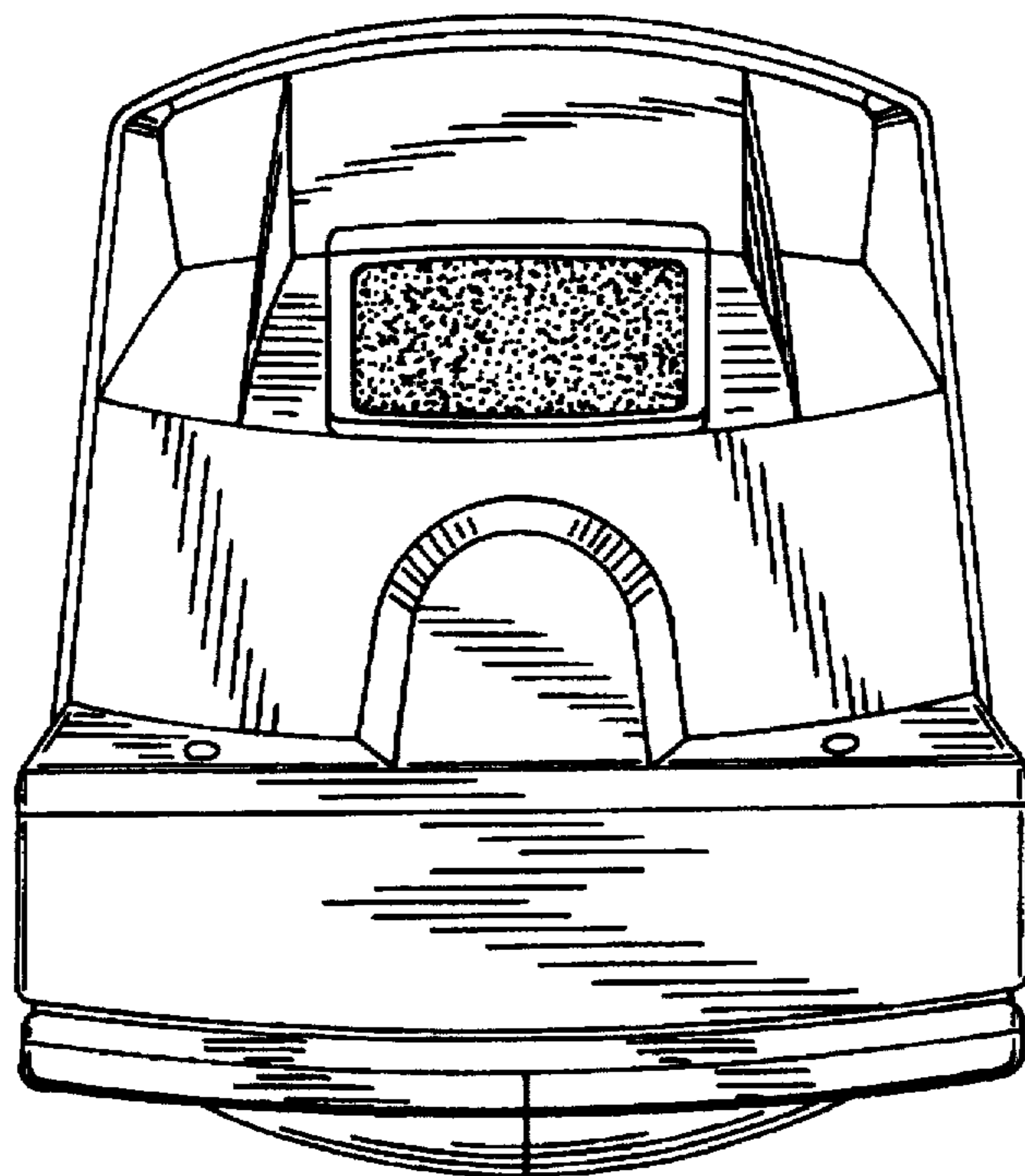
**1 Claim, 4 Drawing Sheets**



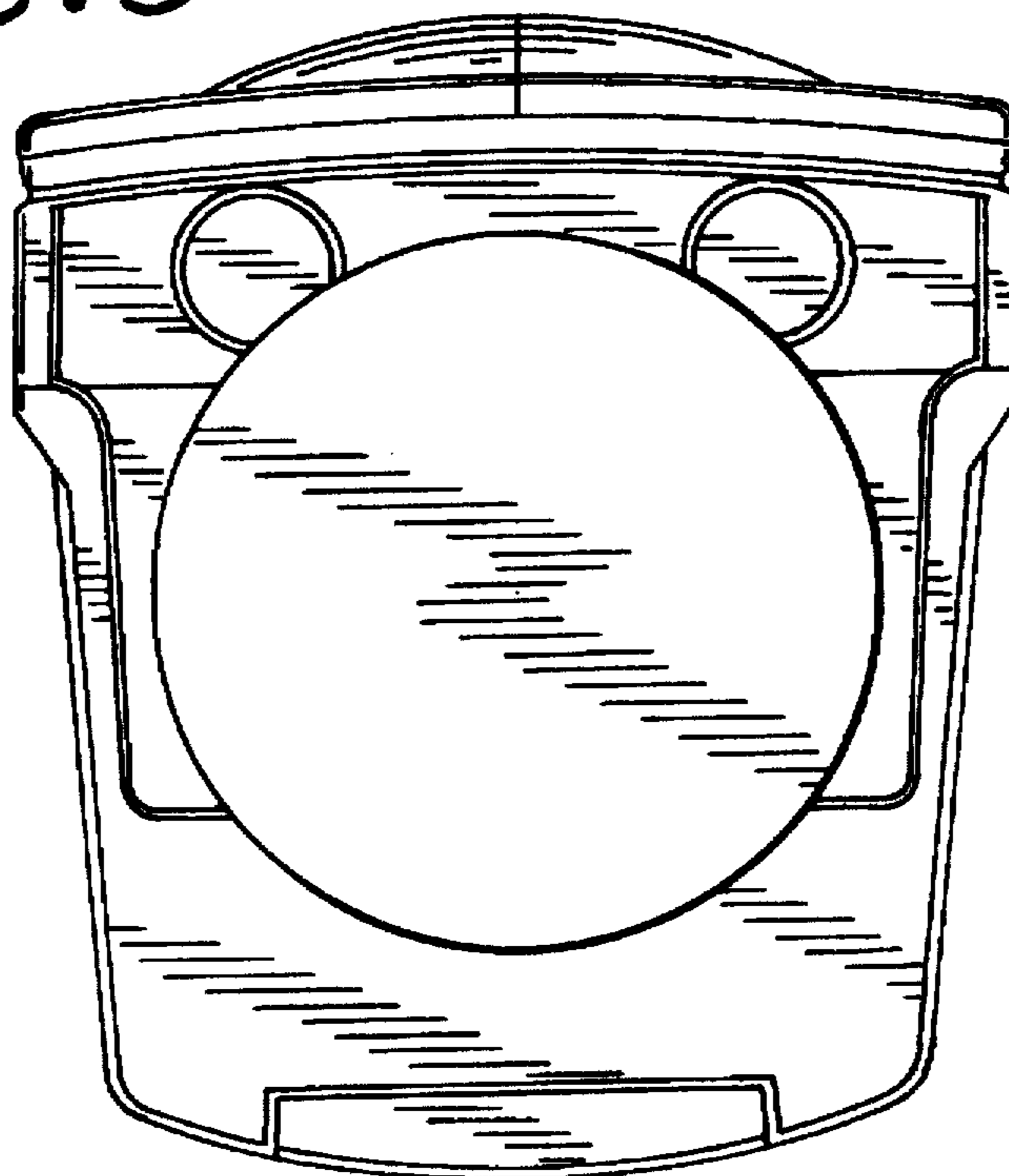
*FIG. 1*



*FIG. 2*



*FIG. 3*



*FIG. 4*

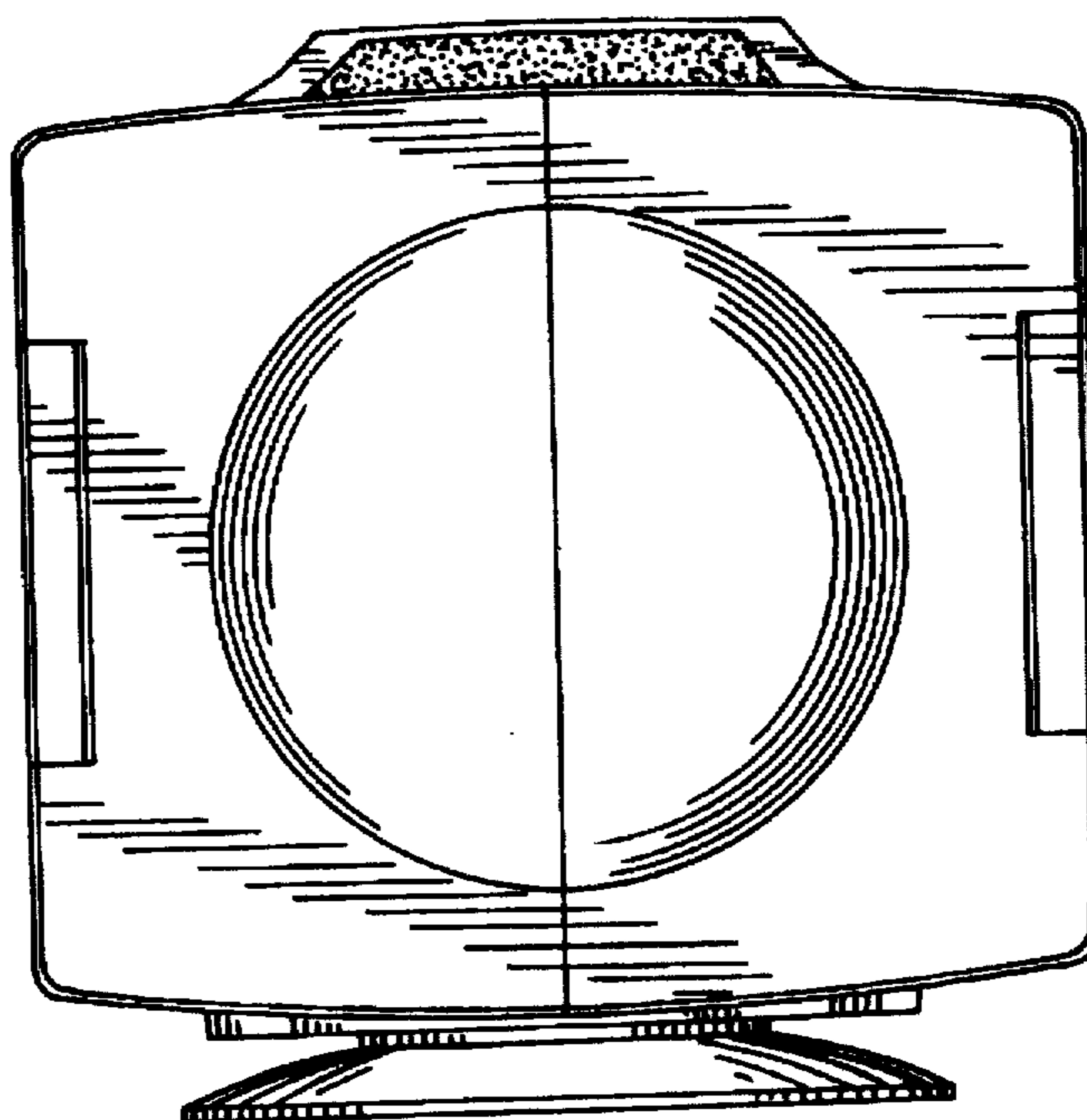


FIG. 5

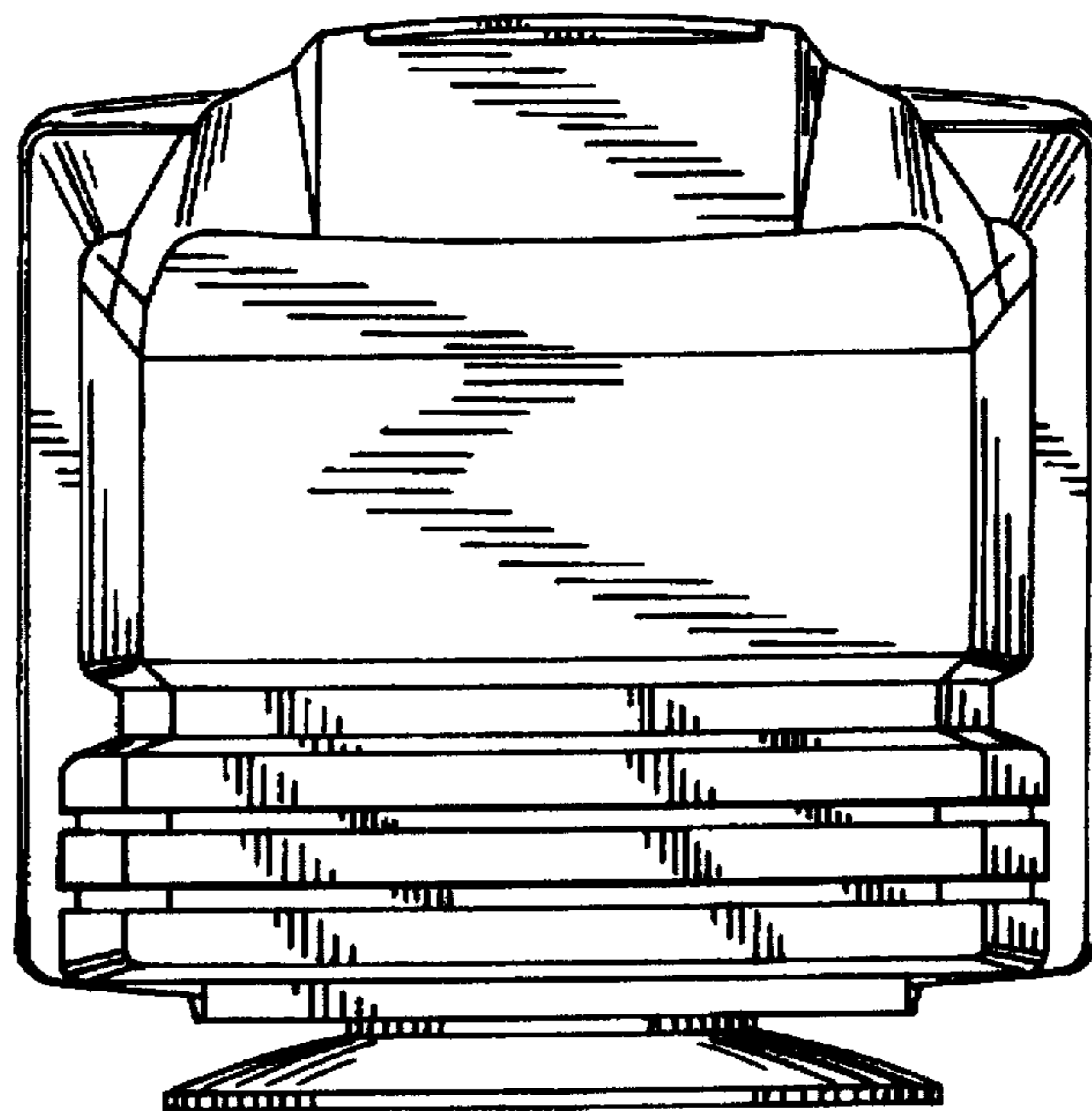


FIG. 6

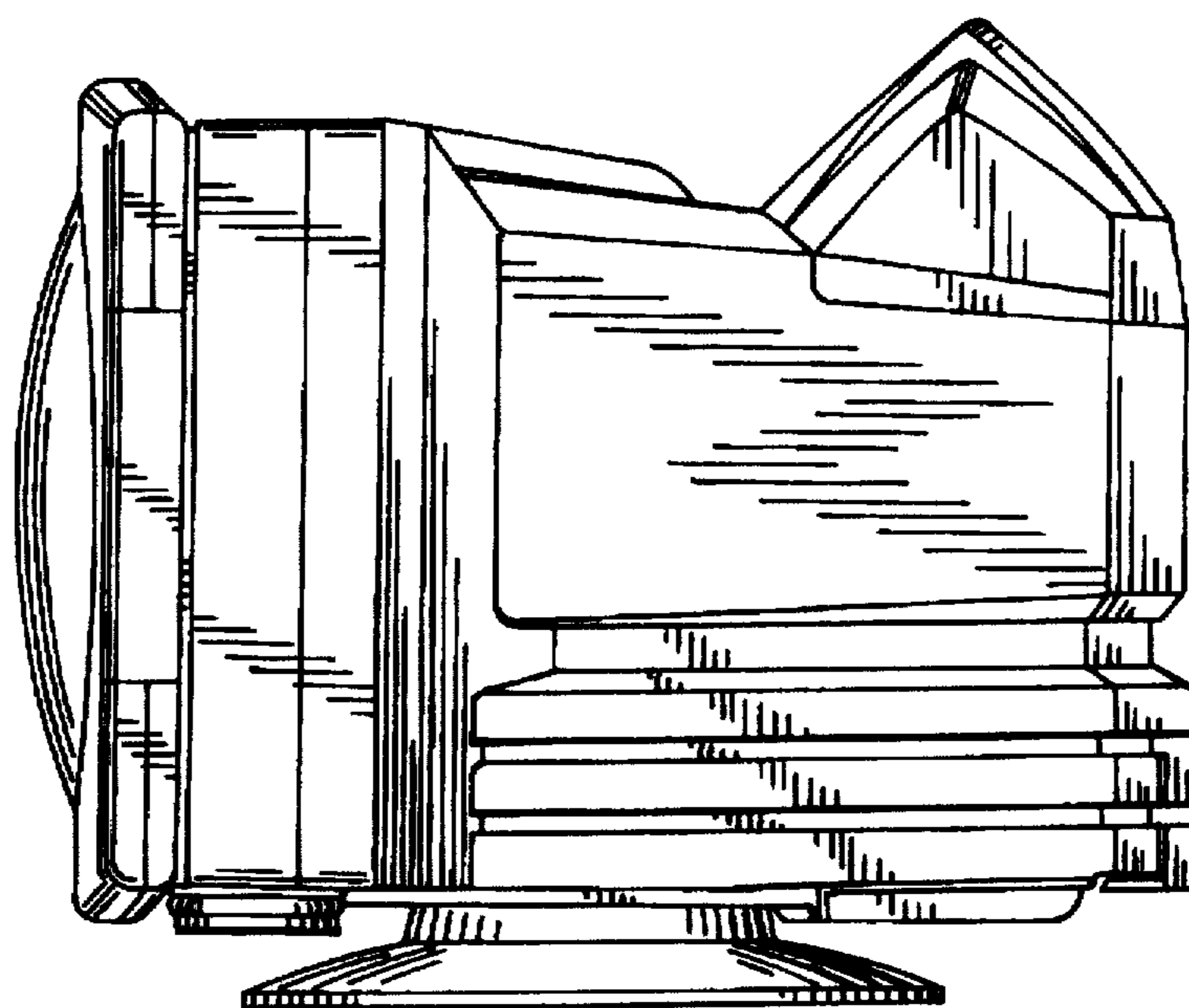


FIG. 7

