



US00D389824S

United States Patent [19]

Woolley et al.

[11] Patent Number: Des. 389,824

[45] Date of Patent: **Jan. 27, 1998

[54] MIXER-AMPLIFIER TOWER FOR INCORPORATION IN A SOUND SYSTEM

[75] Inventors: Steve Woolley, Burbank, Calif.; Peter Harries, Limton, England; Roger F. Cox, Chino Hills, Calif.

[73] Assignee: Fender Musical Instruments Corporation, Scottsdale, Ark.

[**] Term: 14 Years

[21] Appl. No.: 62,731

[22] Filed: Nov. 22, 1996

[51] LOC (6) Cl. 14-03

[52] U.S. Cl. D14/124; D14/188

[58] Field of Search D14/124, 188-204, D14/102, 114, 168, 265, 299; 330/207 R, 1 R, 1 A; 455/344, 347, 350, 351

[56] **References Cited**

U.S. PATENT DOCUMENTS

D. 257,351 10/1980 Akazawa et al. D14/194

D. 269,480	6/1983	Peterson et al.	D14/193 X
D. 277,959	3/1985	Meelan	D14/194
D. 334,386	3/1993	Yamazaki	D14/188 X
D. 373,582	9/1996	Hasegawa	D14/124
D. 375,742	11/1996	Weissberg et al.	D14/188
D. 379,354	5/1997	Hippen	D14/188

Primary Examiner—Prabhakar G. Deshmukh
Attorney, Agent, or Firm—Richard L. Gausewitz

[57] **CLAIM**

The ornamental design for a mixer-amplifier tower for incorporation in a sound system, as shown and described.

DESCRIPTION

FIG. 1 is a perspective view of a mixer-amplifier tower for incorporation in a sound system showing our new design; FIG. 2 is a top plan view thereof; FIG. 3 is a front elevational view thereof; FIG. 4 is a right side elevational view thereof; the left side elevational view being a mirror image thereof; and, FIG. 5 is a bottom plan view thereof.

The broken line showing of elements is for illustrative purpose only and forms no part of the claim.

1 Claim, 1 Drawing Sheet

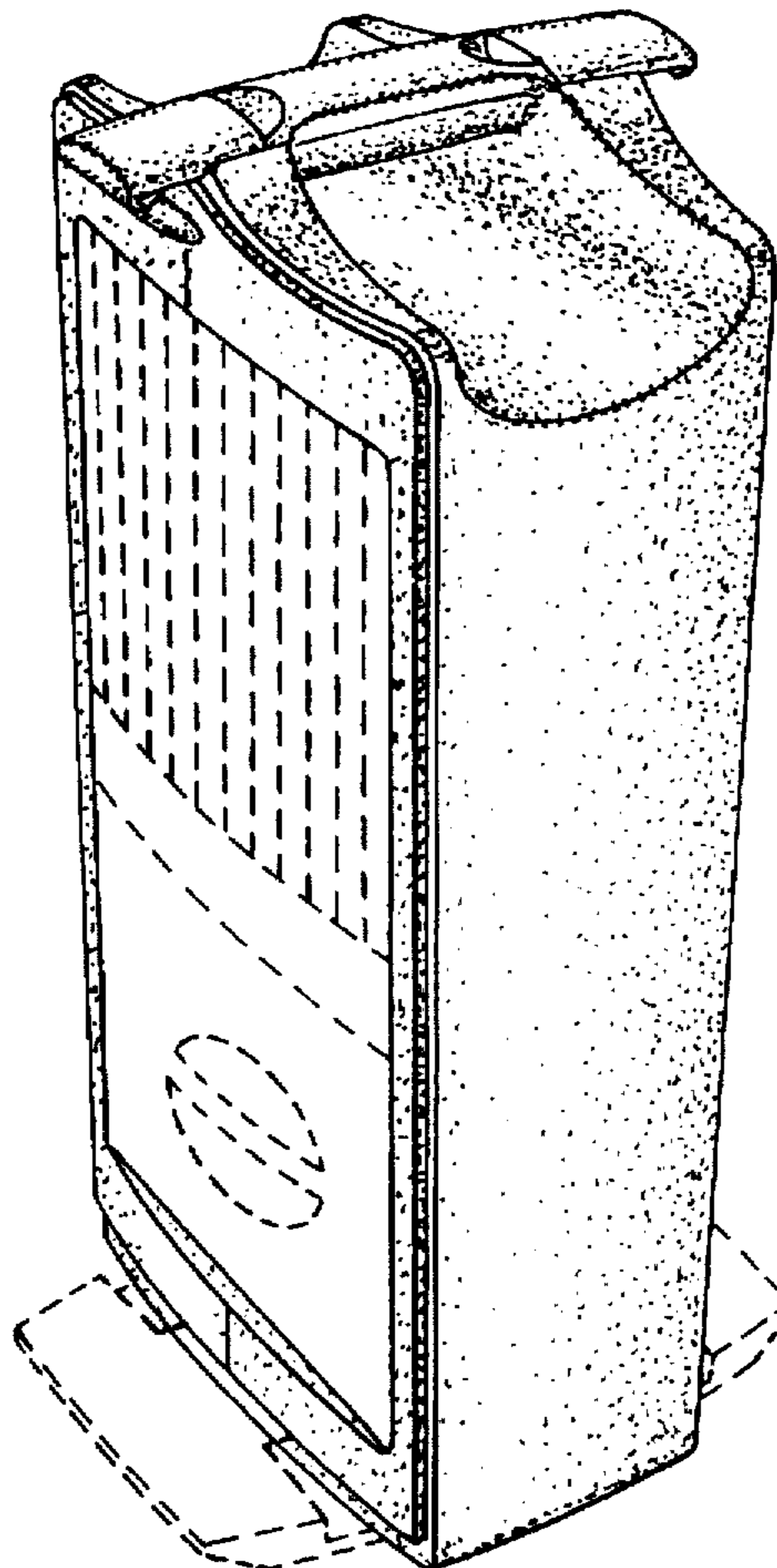


FIG. 1.

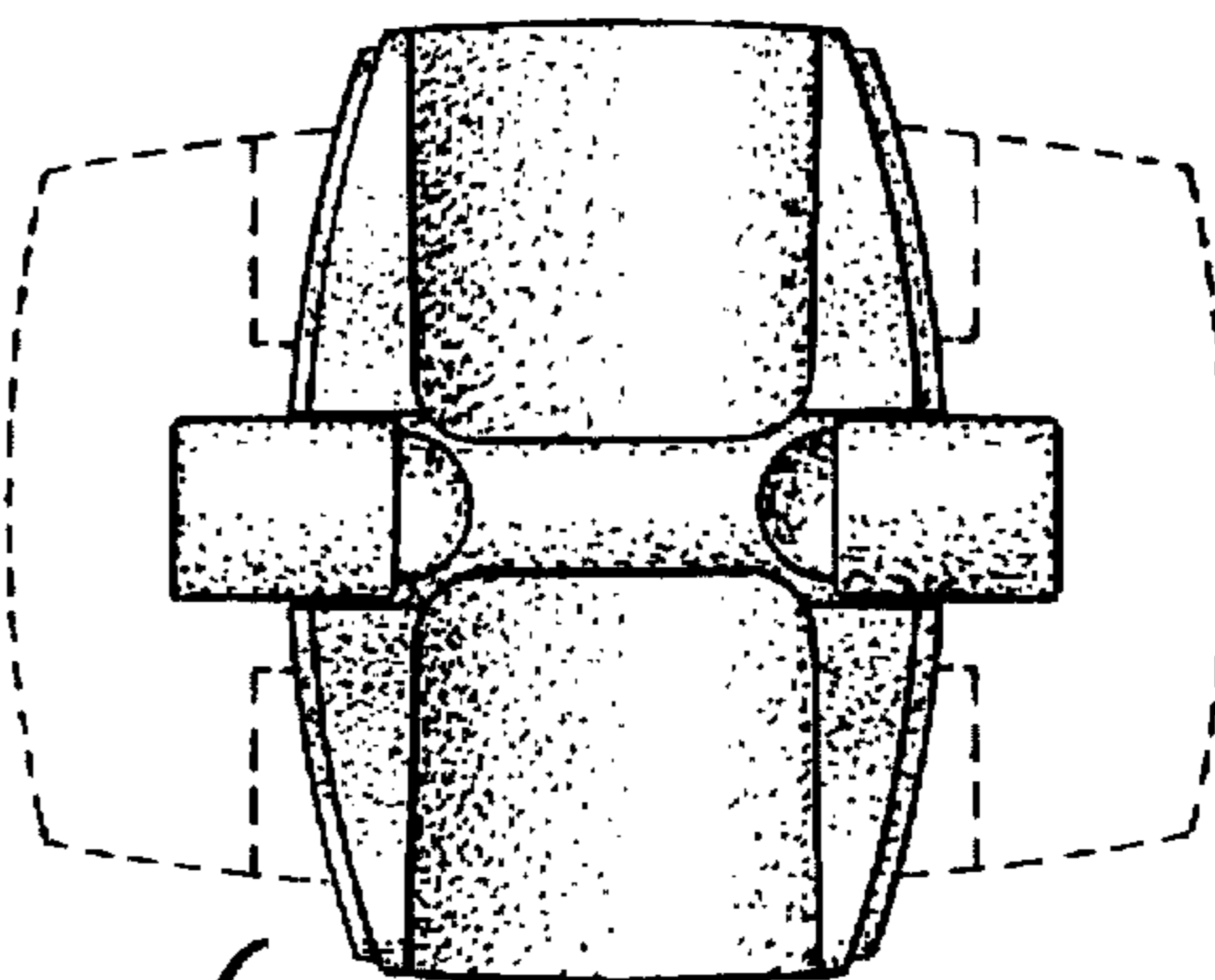
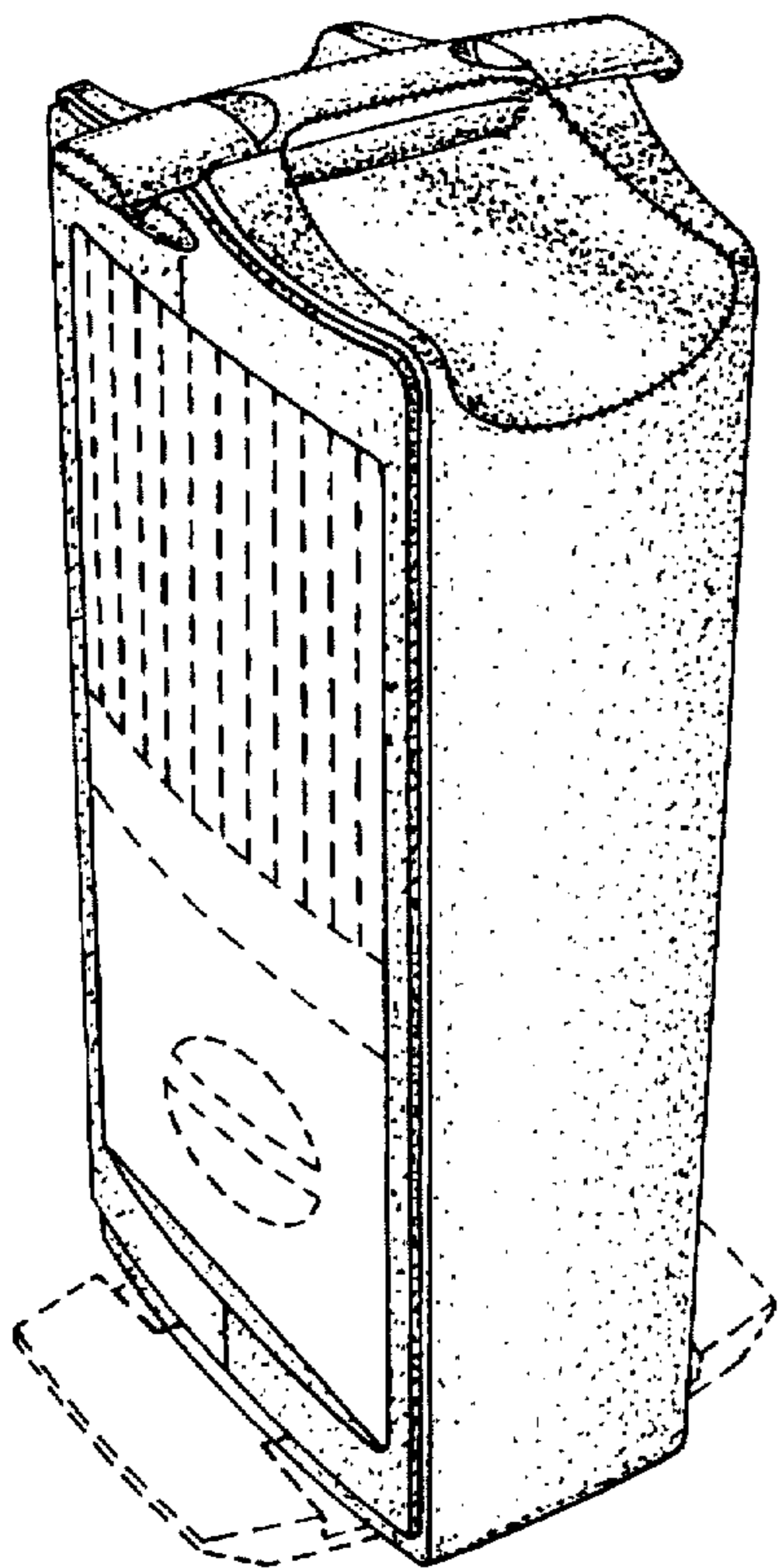


FIG. 2.

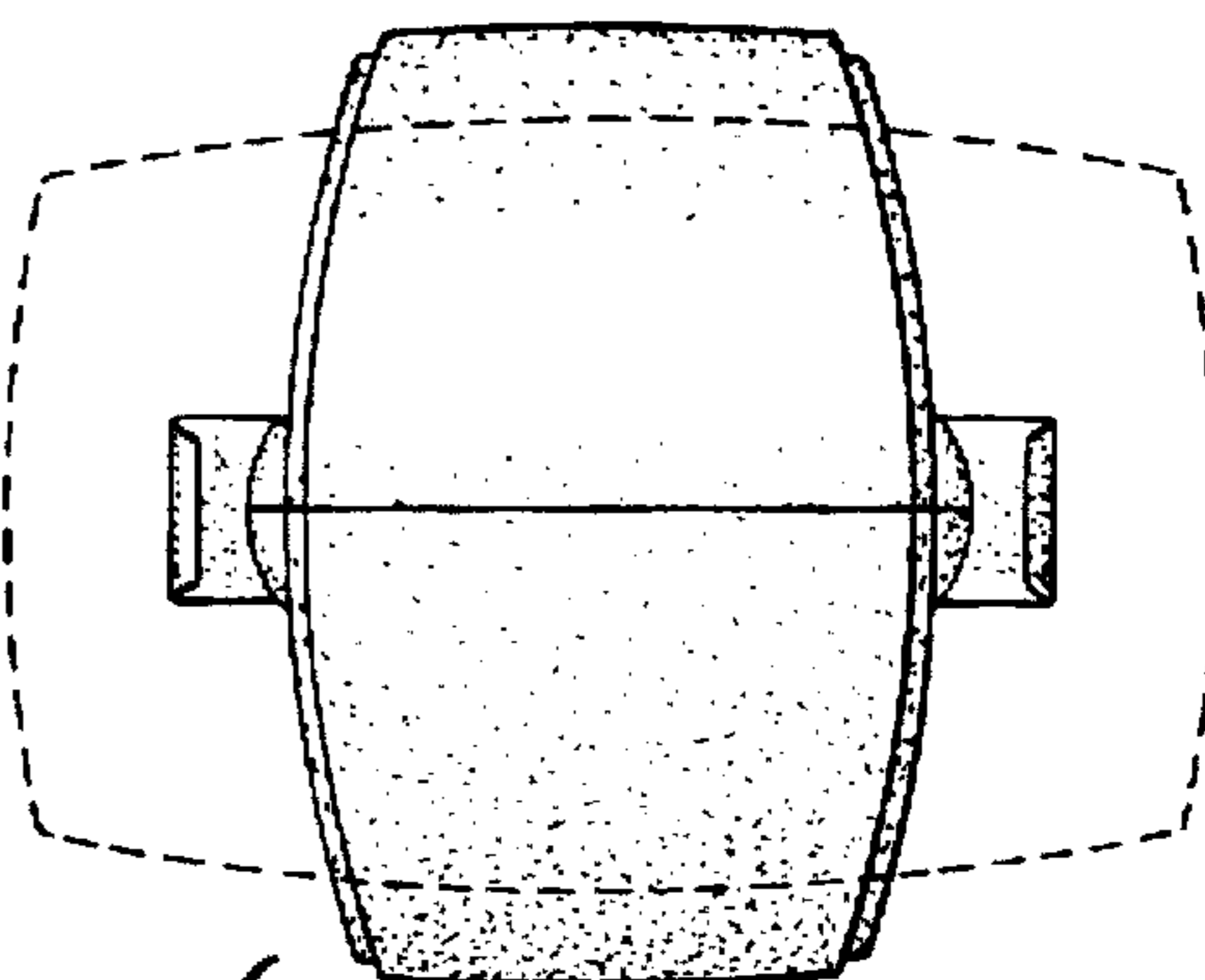


FIG. 5.

FIG. 3.

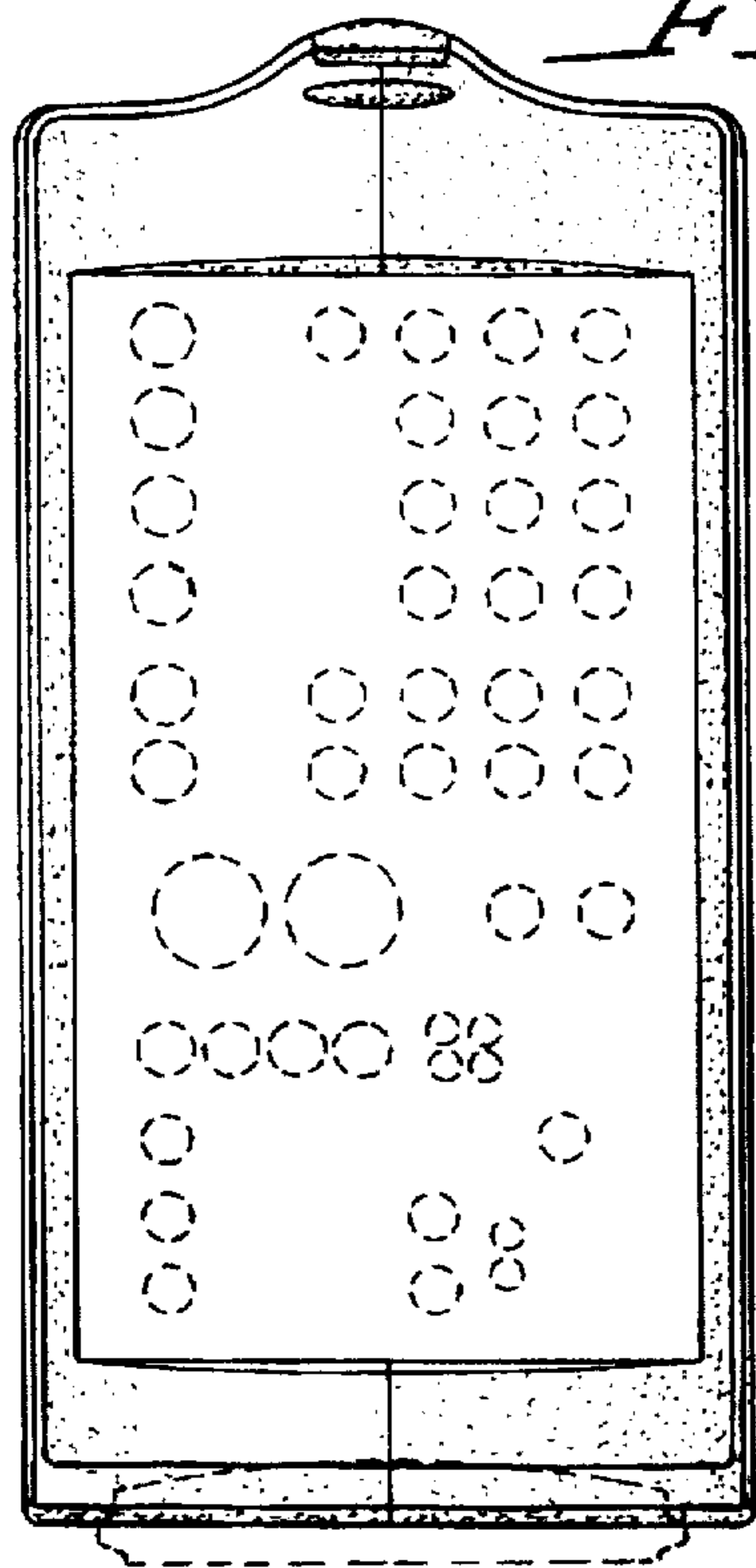


FIG. 4.

