



US00D389819S

**United States Patent** [19]  
**Yamazaki**

[11] **Patent Number:** **Des. 389,819**  
[45] **Date of Patent:** **\*\*Jan. 27, 1998**

[54] **DOCKING STATION FOR A PORTABLE COMPUTER**

D. 364,151 11/1995 Yamazaki ..... D14/107  
5,555,491 9/1996 Tao ..... 361/686

[75] **Inventor:** **Kazuhiko Yamazaki**, Hiratsuka, Japan

*Primary Examiner*—Kay H. Chin  
*Attorney, Agent, or Firm*—Daniel E. McConnell

[73] **Assignee:** **International Business Machines Corporation**, Armonk, N.Y.

[57] **CLAIM**

[\*\*] **Term:** **14 Years**

The ornamental design for a docking station for a portable computer, as shown and described.

[21] **Appl. No.:** **51,576**

**DESCRIPTION**

[22] **Filed:** **Mar. 13, 1996**

[30] **Foreign Application Priority Data**

FIG. 1 is a front, top and left side view of a docking station for a portable computer according to the present invention; FIG. 2 is a perspective view of the docking station for a portable computer according to the present invention as used with an exemplary portable computer; FIG. 3 is a front elevational view thereof; FIG. 4 is a top plan view thereof; FIG. 5 is a rear elevational view thereof; FIG. 6 is a bottom plan view thereof; FIG. 7 is a left side elevational view thereof; and, FIG. 8 is a right side elevational view thereof. The broken lines shown in FIG. 2 are for illustrative purposes only and form no part of the claimed design.

Sep. 13, 1995 [JP] Japan ..... 7-27092

[51] **LOC (6) Cl.** ..... **14-02**

[52] **U.S. Cl.** ..... **D14/107; D14/114**

[58] **Field of Search** ..... **D14/100, 114, D14/107; 361/680-686; 248/923; 364/708.1; 439/95, 284, 357, 372**

[56] **References Cited**

**U.S. PATENT DOCUMENTS**

D. 320,196 9/1991 Carter et al. .... D14/114 X

**1 Claim, 6 Drawing Sheets**

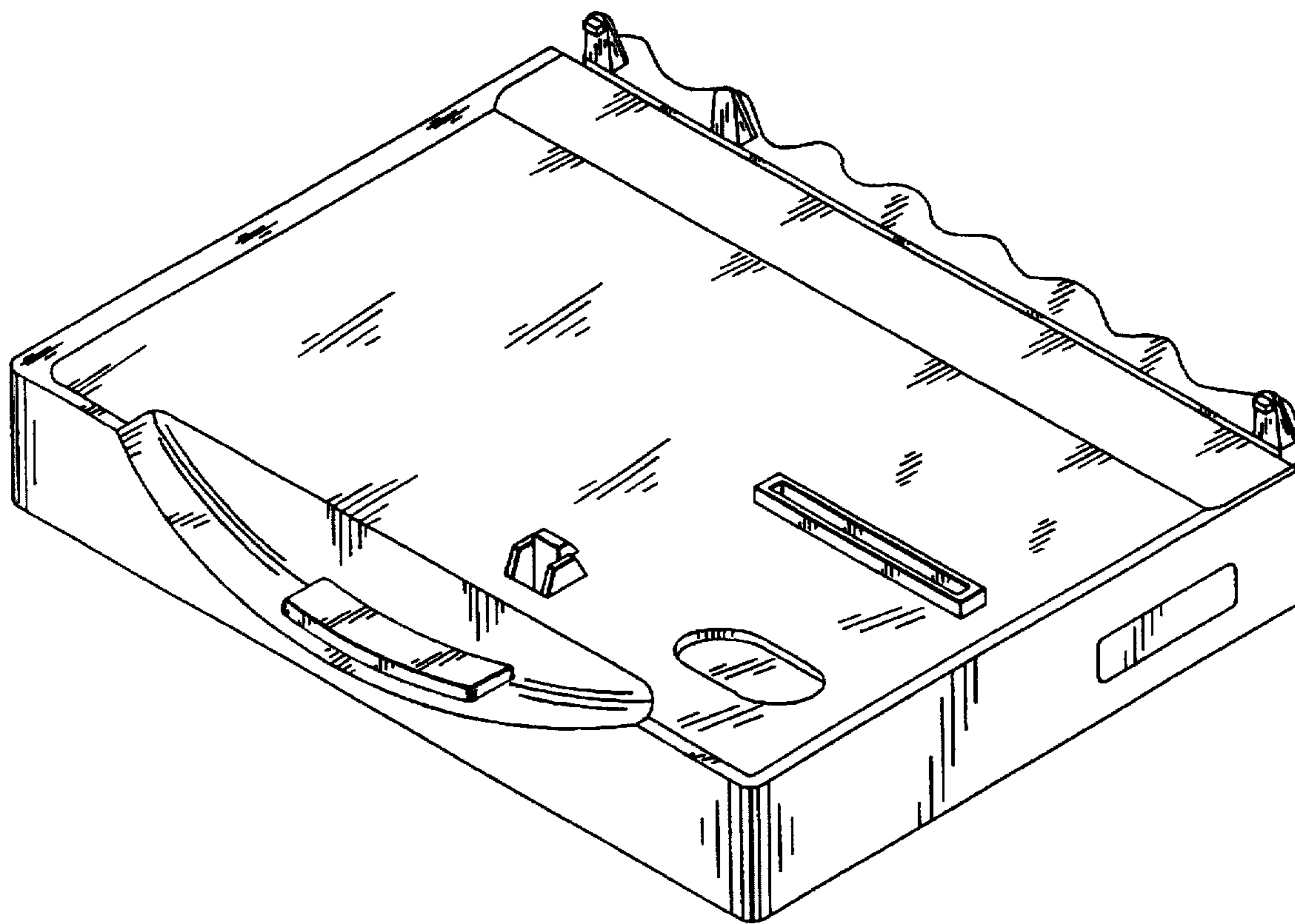


FIG. 1

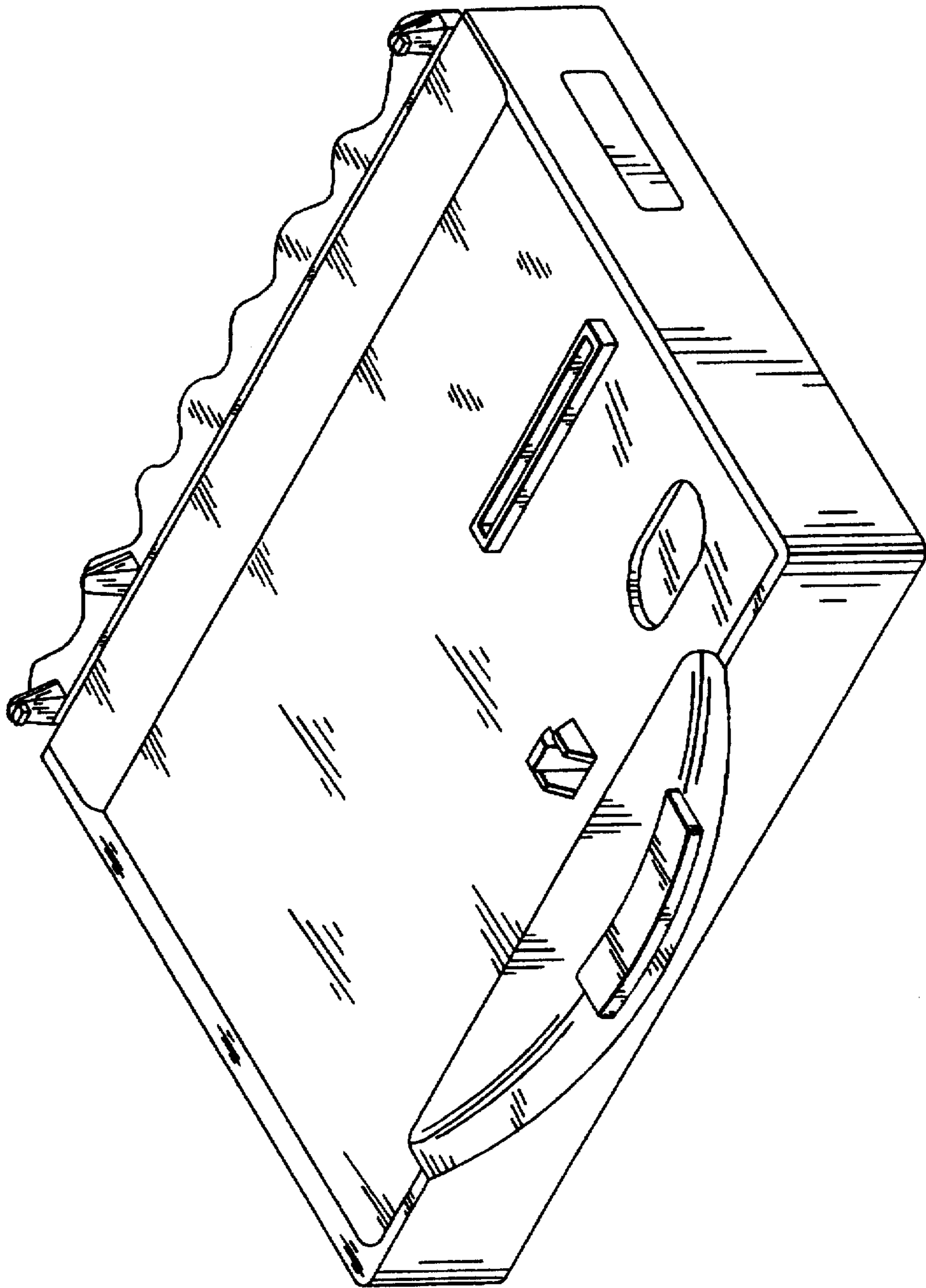


FIG. 2

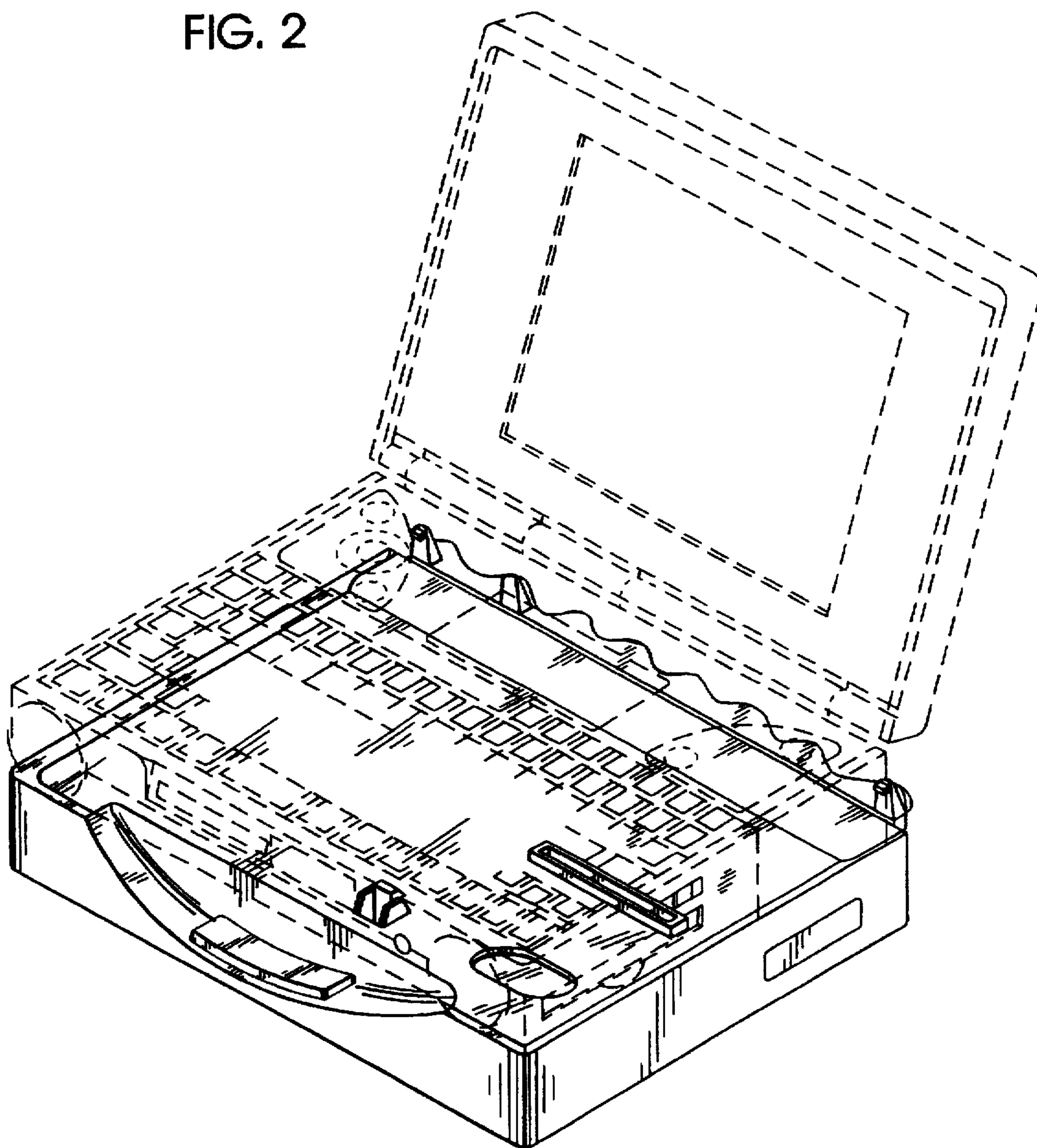


FIG. 3

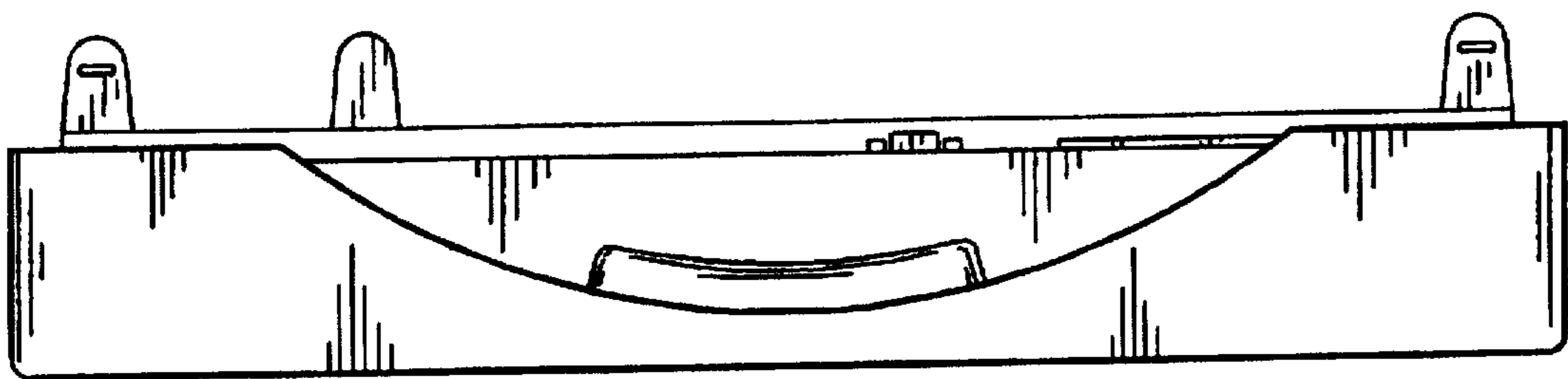


FIG. 5

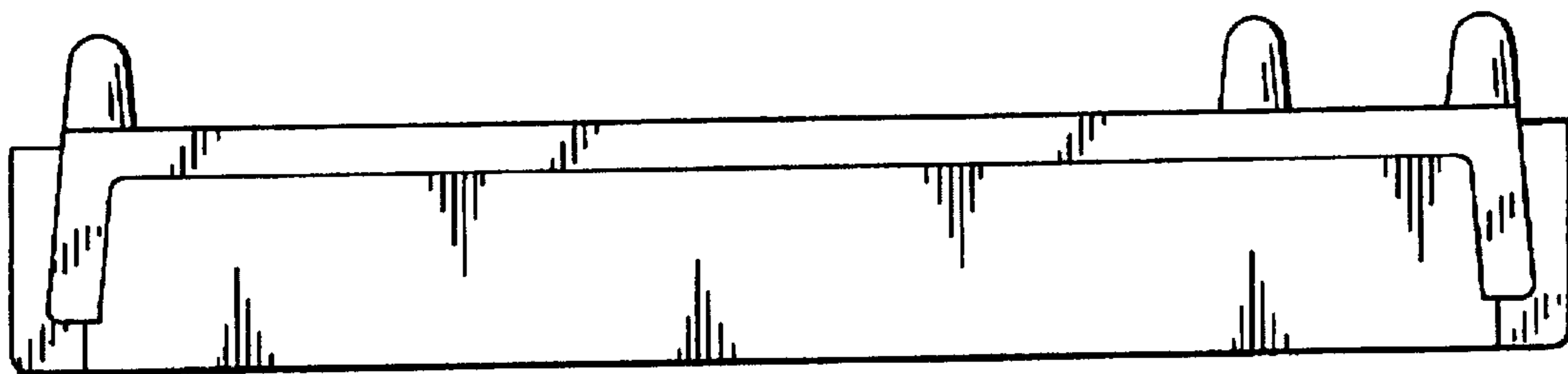


FIG. 4

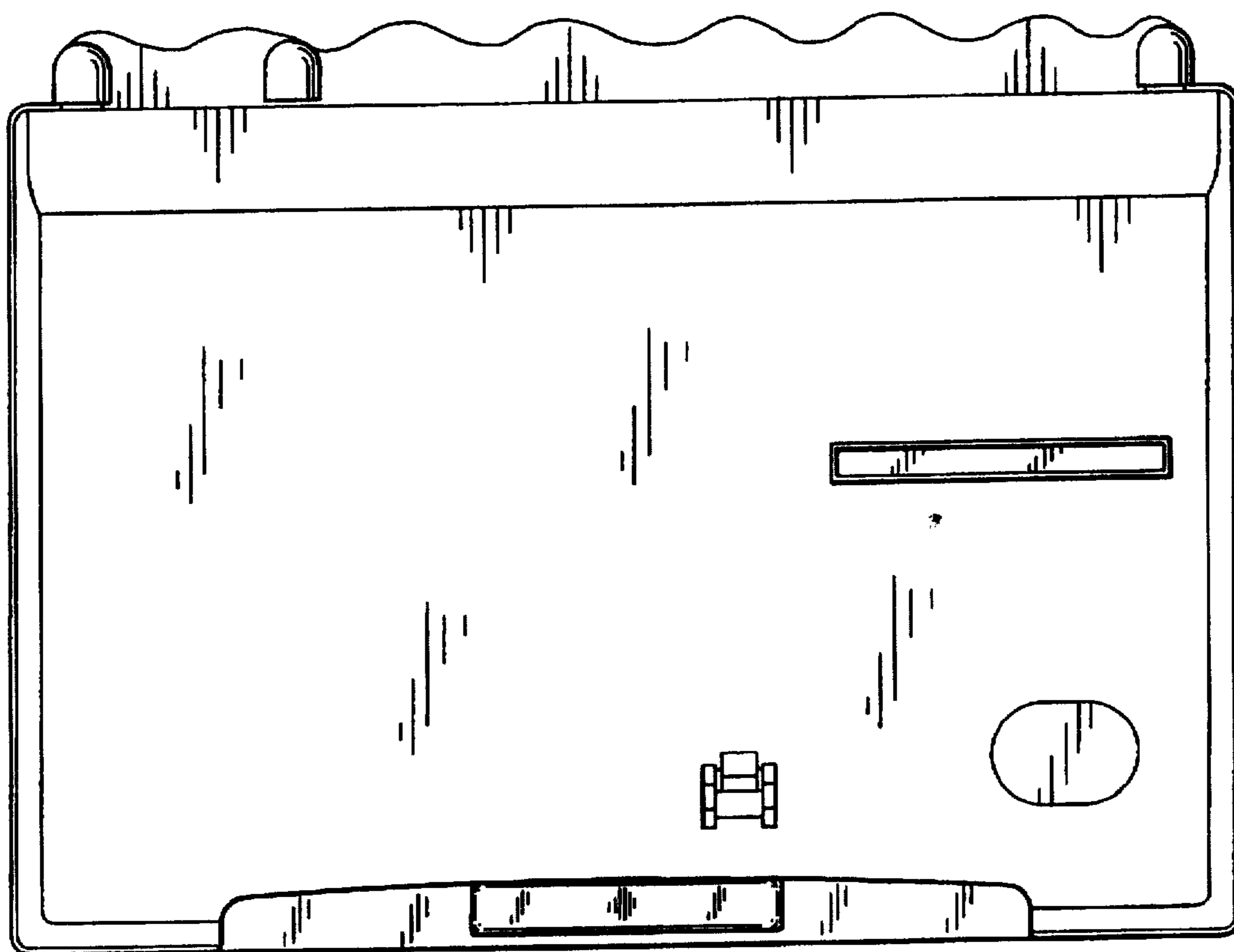




FIG. 6

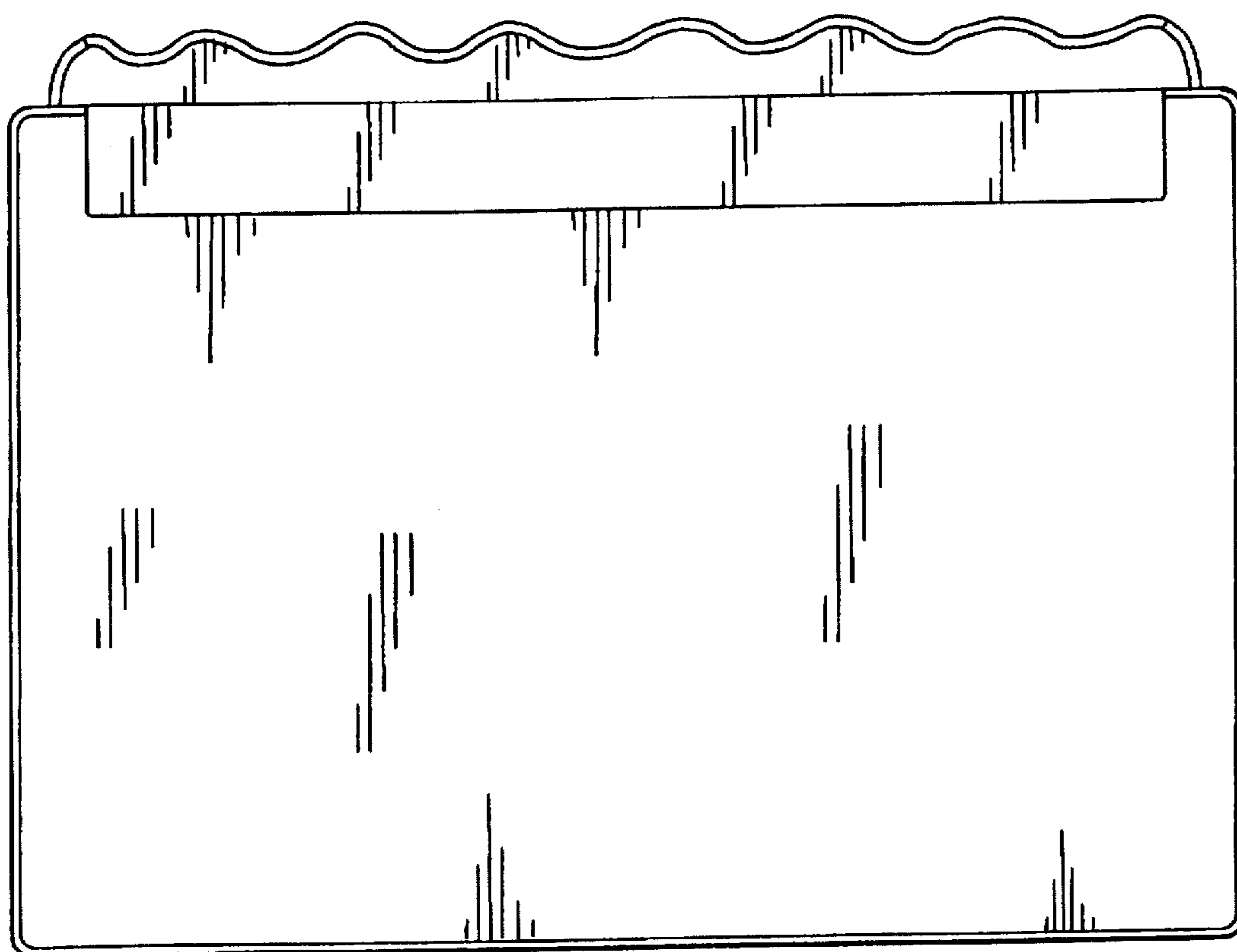


FIG. 7

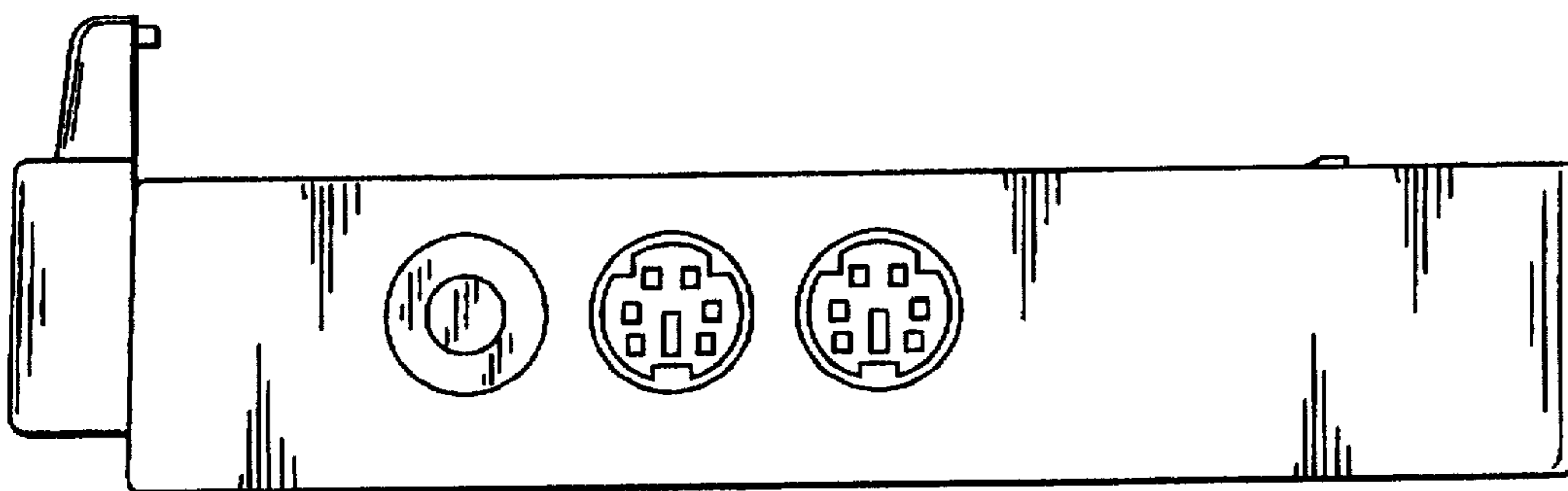


FIG. 8

