



US00D389815S

United States Patent [19]
Schnatzmeyer

[11] **Patent Number: Des. 389,815**
[45] **Date of Patent: **Jan. 27, 1998**

[54] **PORTABLE COMPUTER**

[75] **Inventor: Todd J. Schnatzmeyer, Dallas, Tex.**
[73] **Assignee: Future Technologies, Inc., Dallas, Tex.**
[**] **Term: 14 Years**

[21] **Appl. No.: 58,924**
[22] **Filed: Aug. 28, 1996**

[51] **LOC (6) Cl. 14-02**
[52] **U.S. Cl. D14/106**
[58] **Field of Search D14/100, 101,**
D14/106, 113, 115; D18/1, 2, 7; 235/145 A,
145 R; 345/104, 156, 168, 173, 87; 361/690-696;
364/708.1

[56] **References Cited**

U.S. PATENT DOCUMENTS

D. 356,781 3/1995 Poon D14/106

Primary Examiner—Freda Nunn
Attorney, Agent, or Firm—Robert A. Samra

[57] **CLAIM**

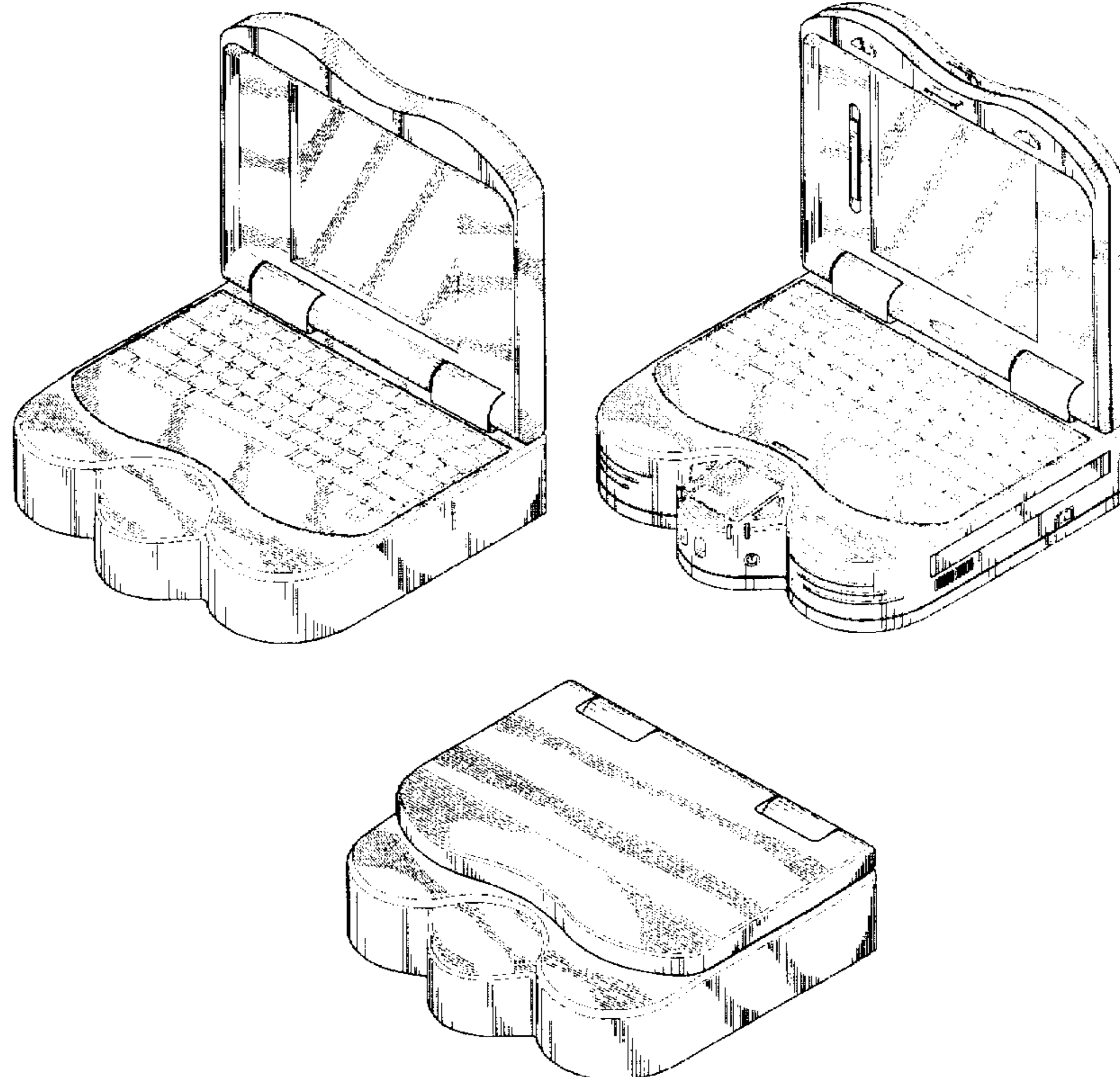
The ornamental design for the portable computer, as shown and described.

DESCRIPTION

FIG. 1 is a front perspective view of my new design for a portable computer with a base and a lid, the lid being shown in an open position;

FIG. 2 is a front perspective view of the base thereof shown separately for clarity of illustration only;
FIG. 3 is a front perspective view of the lid thereof shown separately for clarity of illustration only;
FIG. 4 is a front perspective view of the portable computer of FIG. 1 with the lid folded over the base;
FIG. 5 is a top plan view of the portable computer of FIG. 4;
FIG. 6 is a left side elevational view of the portable computer of FIG. 4;
FIG. 7 is a right side elevational view of the portable computer of FIG. 4;
FIG. 8 is a front elevational view of the portable computer of FIG. 4;
FIG. 9 is a rear elevational view of the portable computer of FIG. 4;
FIG. 10 is a bottom plan view of the base of the portable computer of FIG. 1 or FIG. 4;
FIG. 11 is a front perspective view of a second embodiment of my new design for a portable computer;
FIG. 12 is a front perspective view of the portable computer of FIG. 11 with the lid folded over the base;
FIG. 13 is a top plan view of the portable computer of FIG. 12;
FIG. 14 is a left side elevational view thereof;
FIG. 15 is a right side elevational view thereof;
FIG. 16 is a front elevational view thereof;
FIG. 17 is a rear elevational view thereof; and
FIG. 18 is a bottom plan view thereof.
The broken lines are shown in the views for illustrative purposes only and form no part of the claimed design.

1 Claim, 9 Drawing Sheets



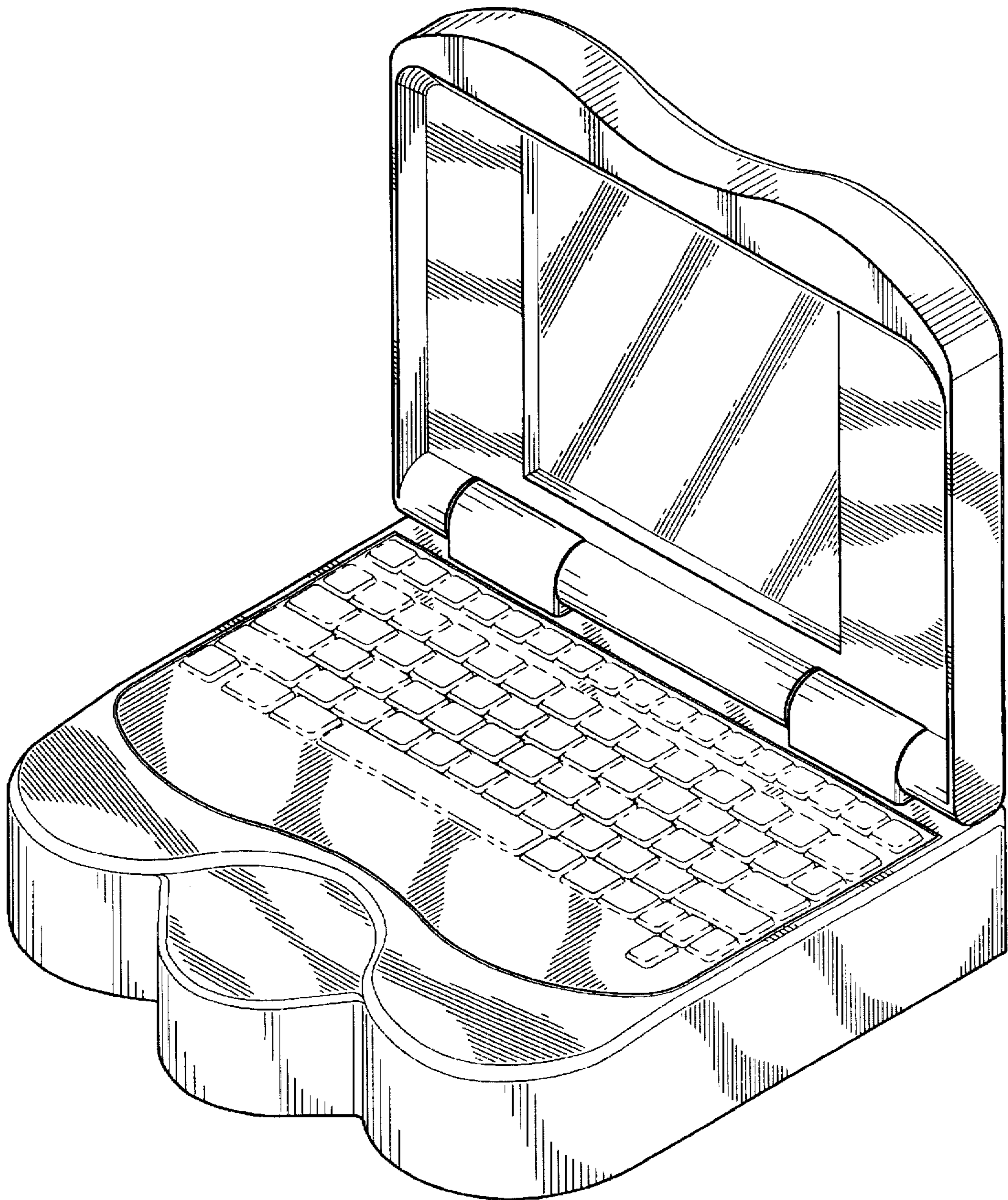


FIG. 1

FIG. 3

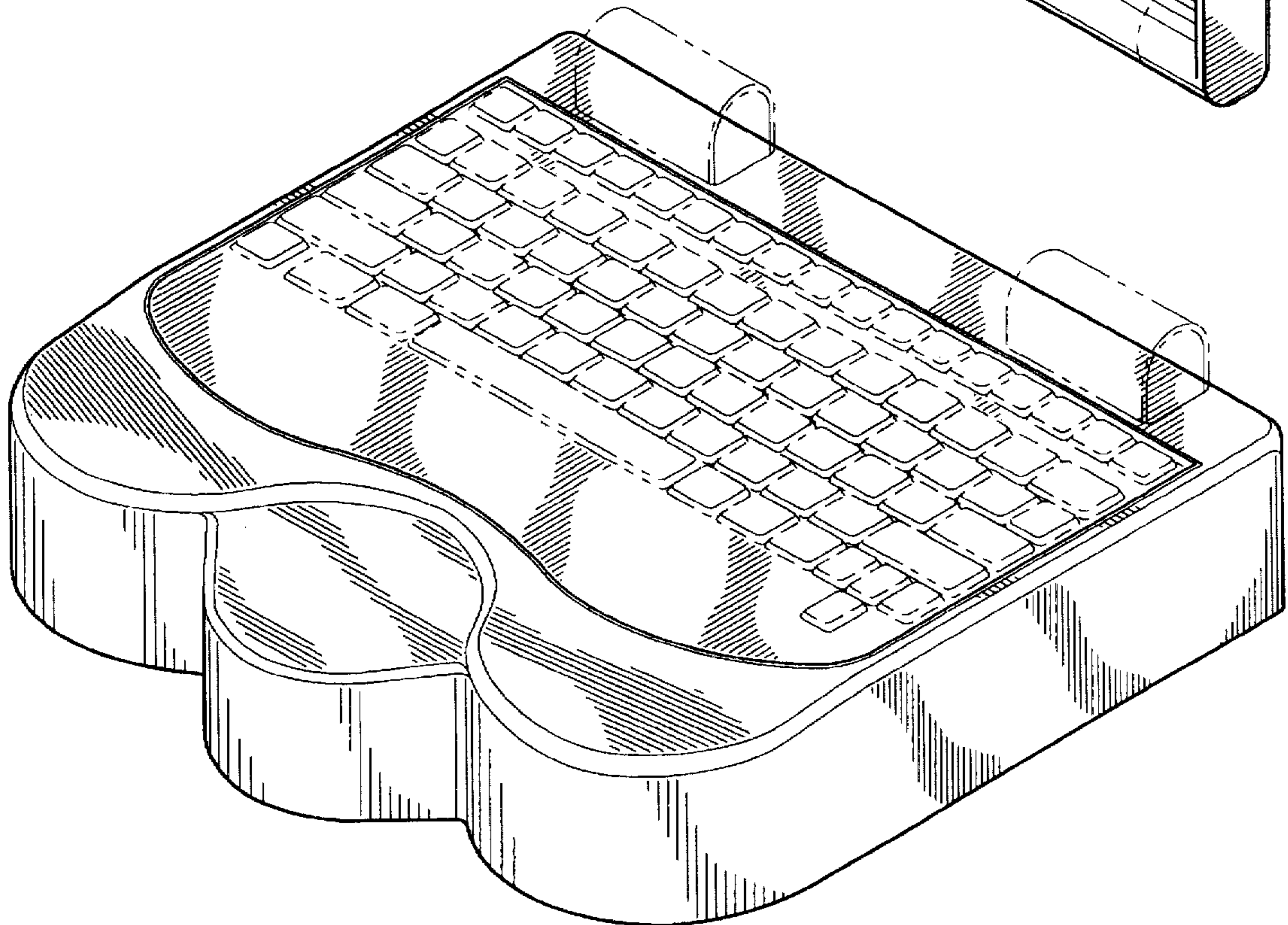
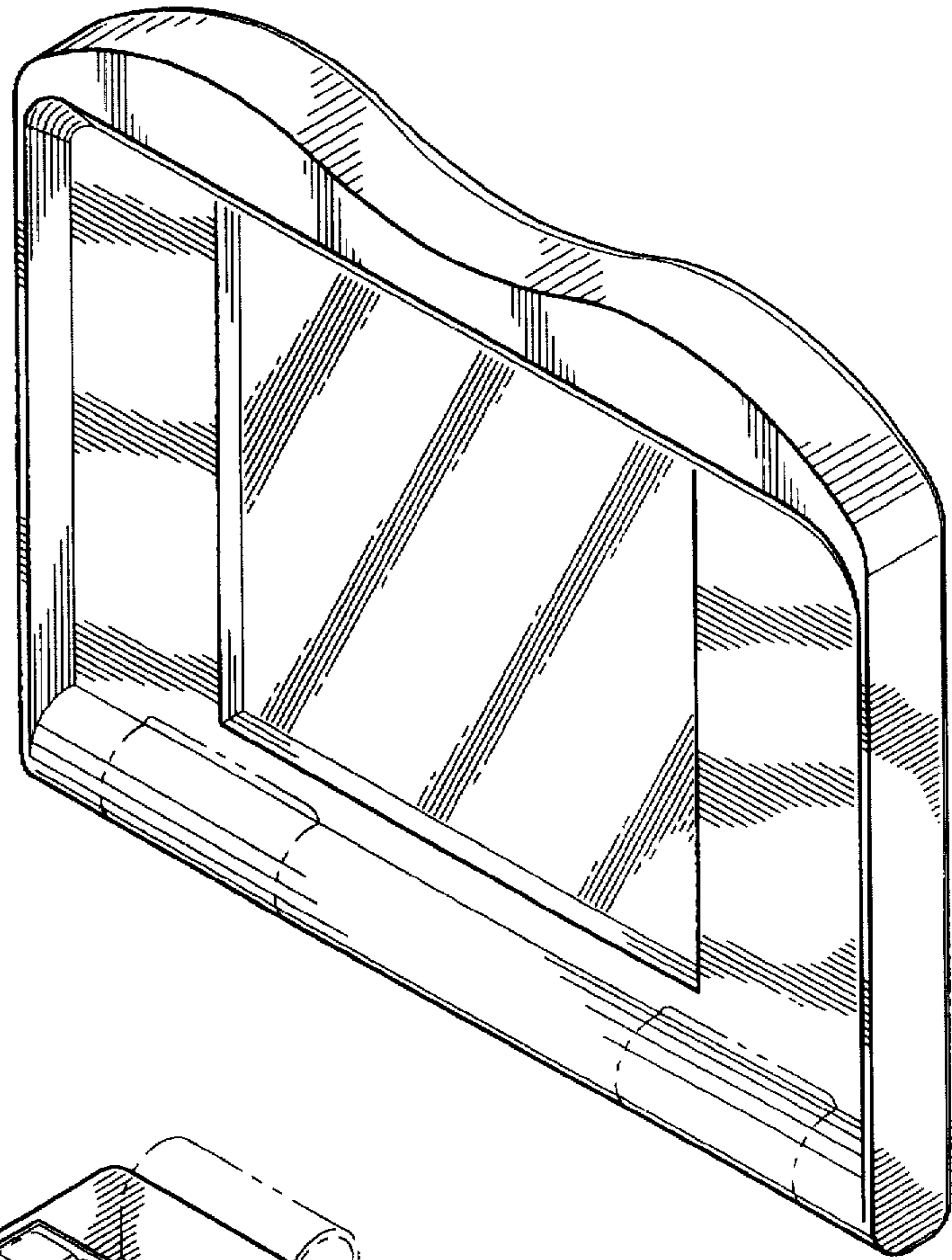


FIG. 2

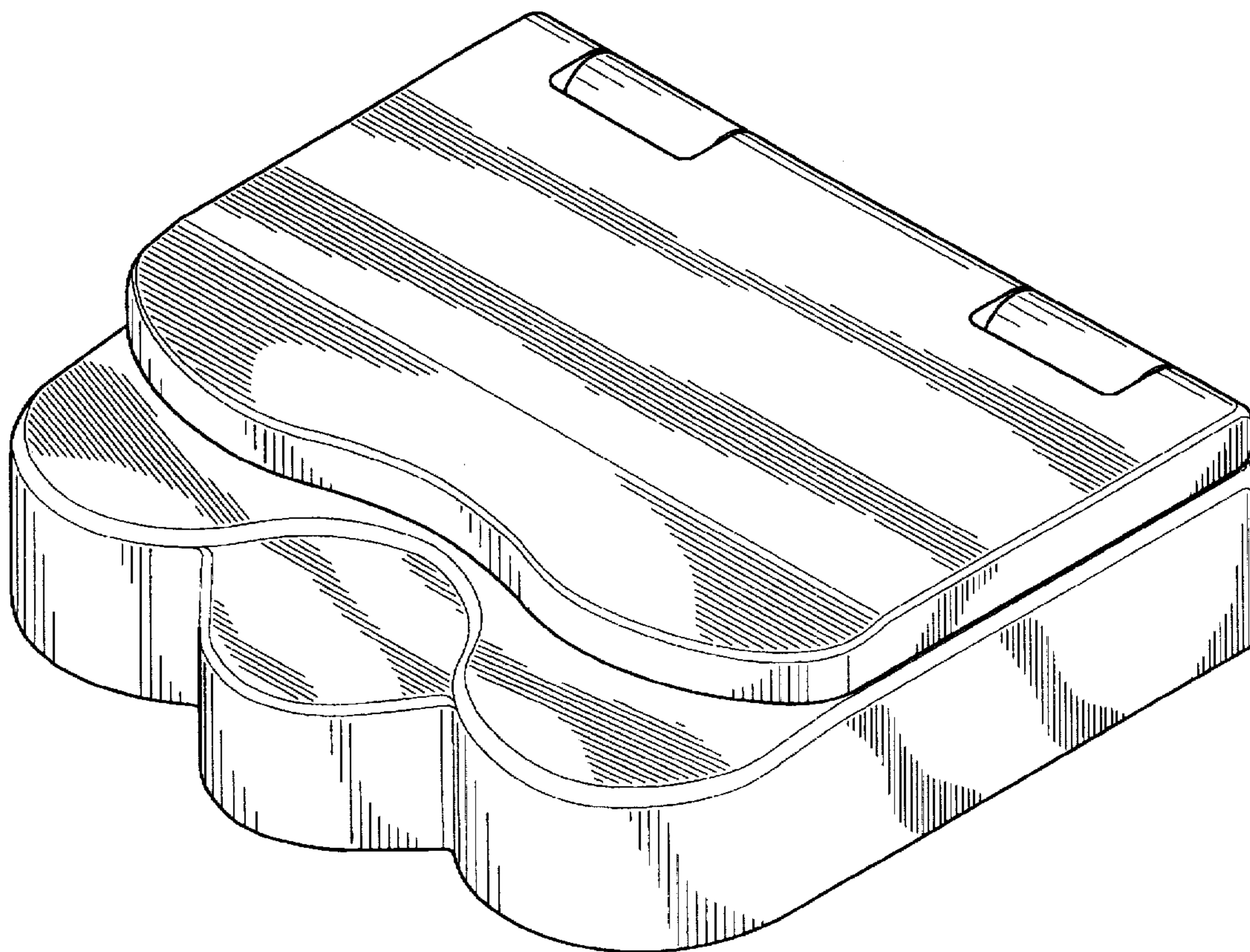


FIG. 4

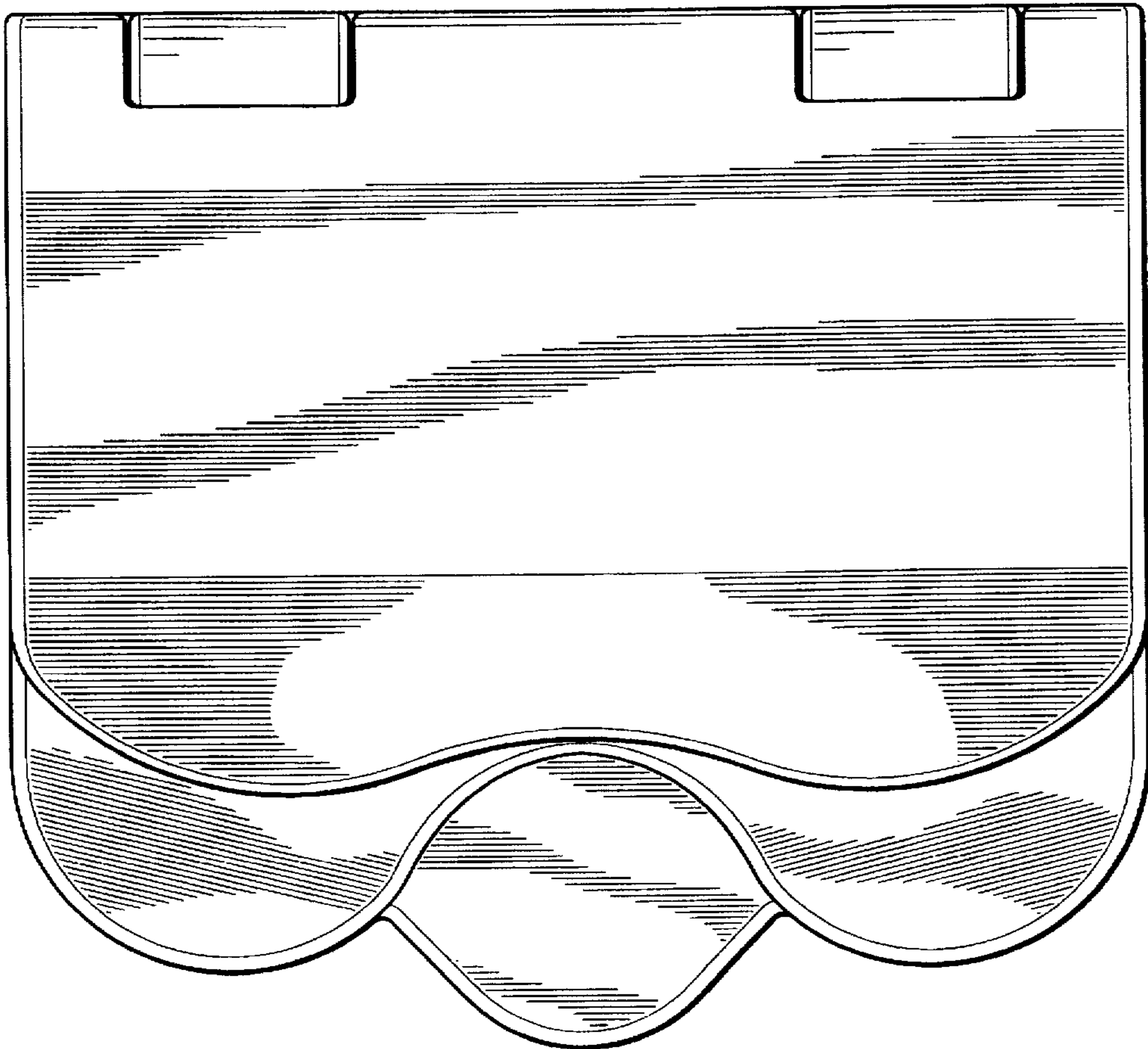


FIG. 5

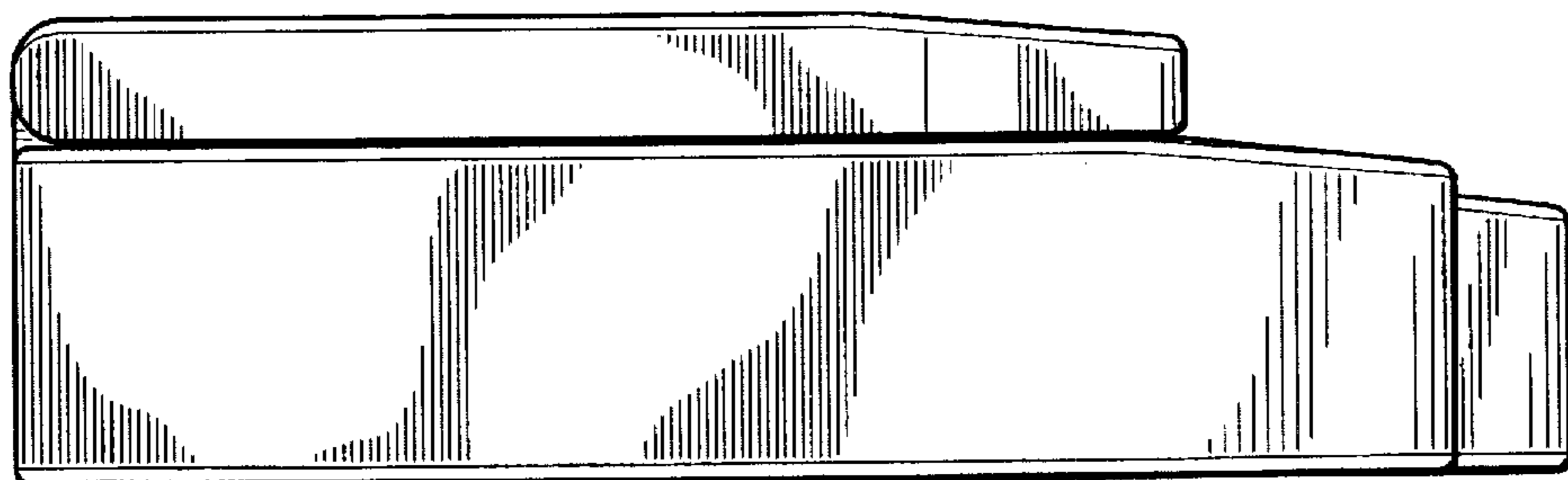


FIG. 6

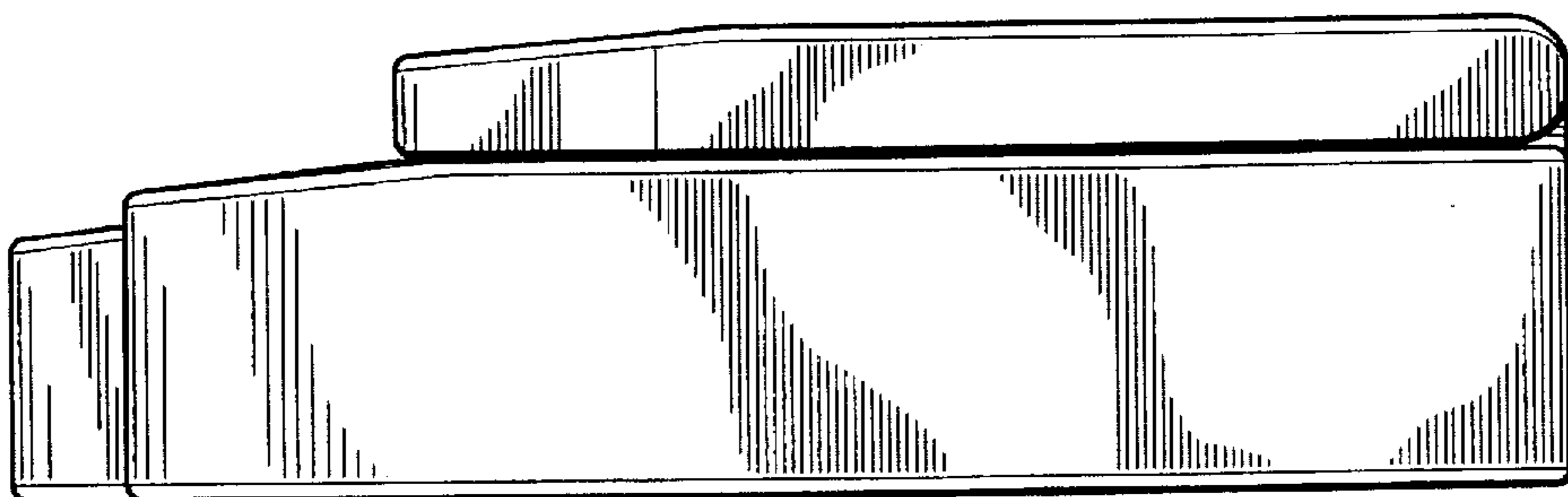


FIG. 7

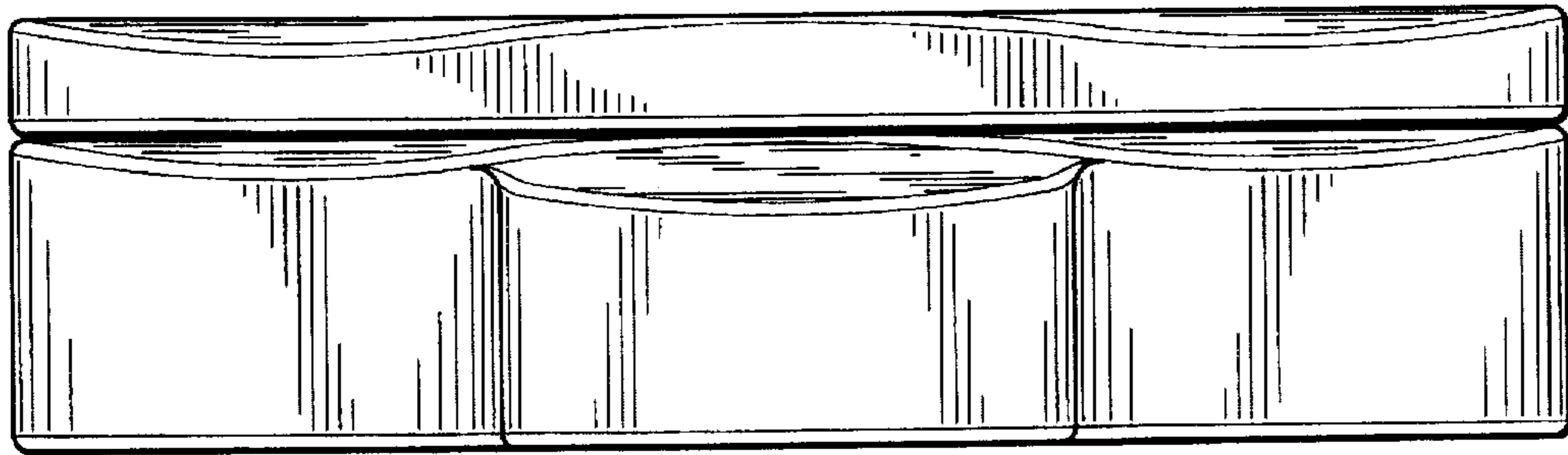


FIG. 8

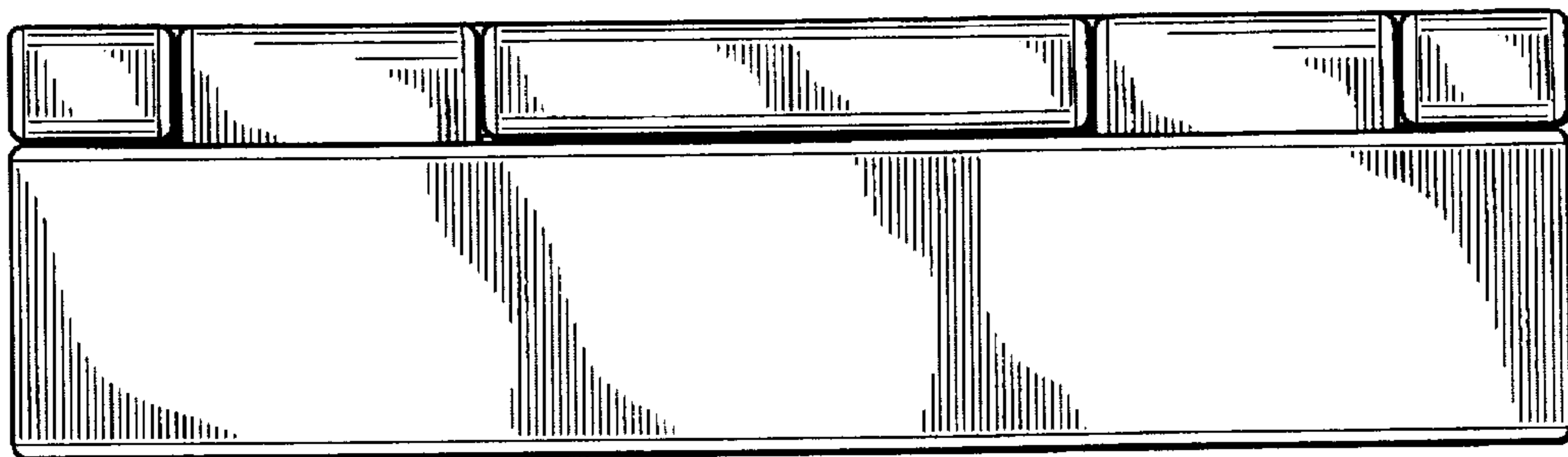


FIG. 9

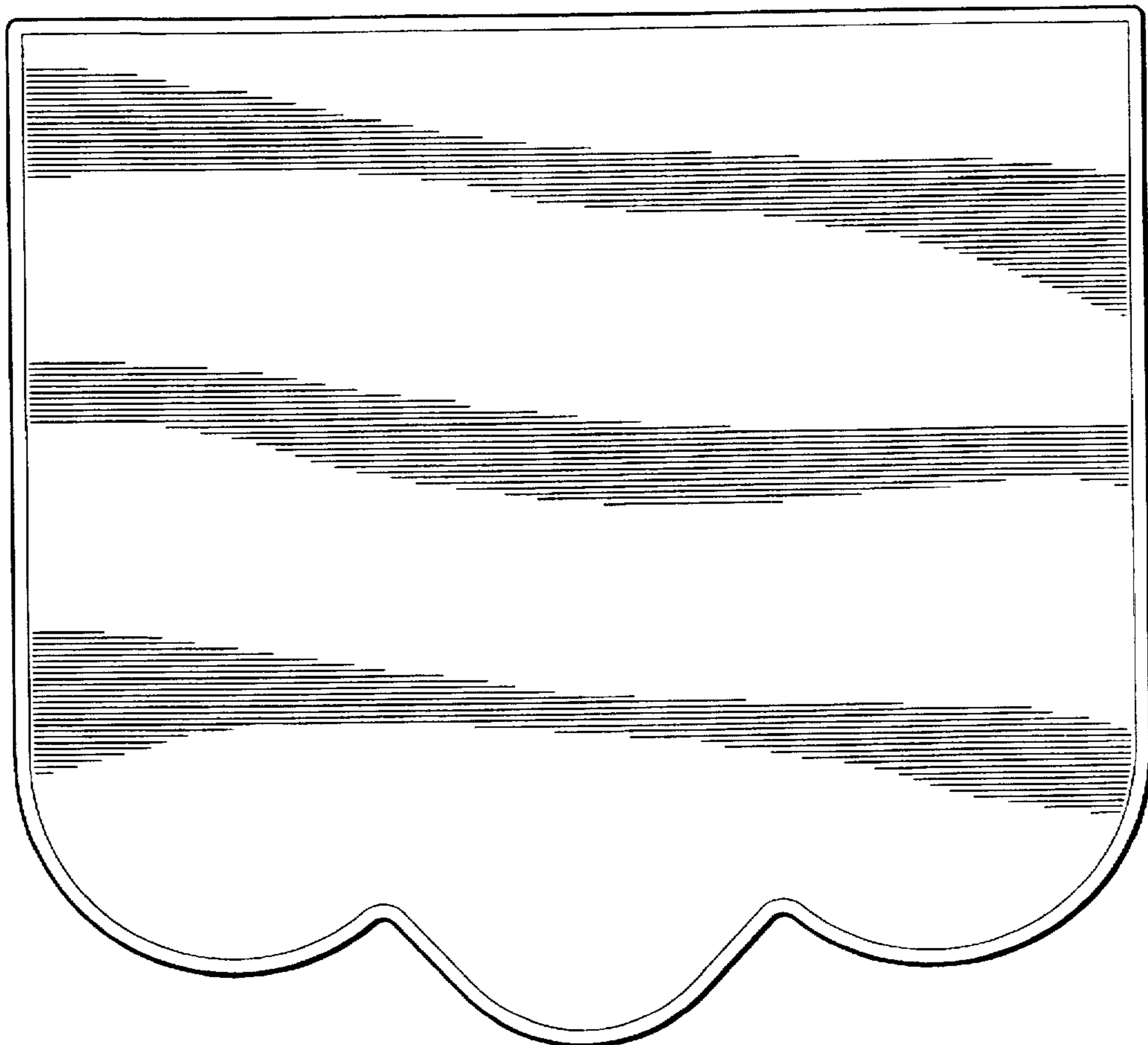


FIG. 10



FIG. 11

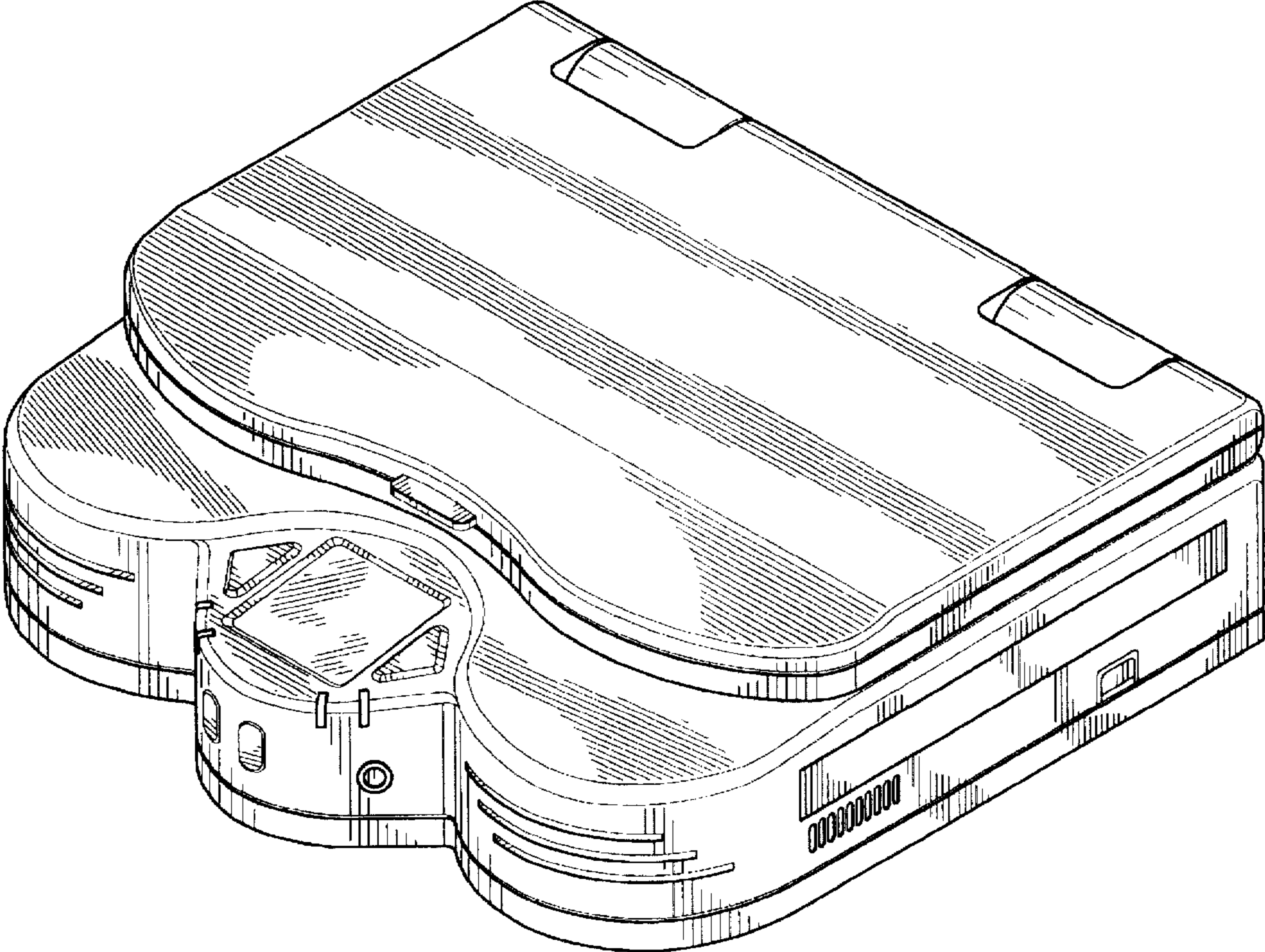


FIG. 12

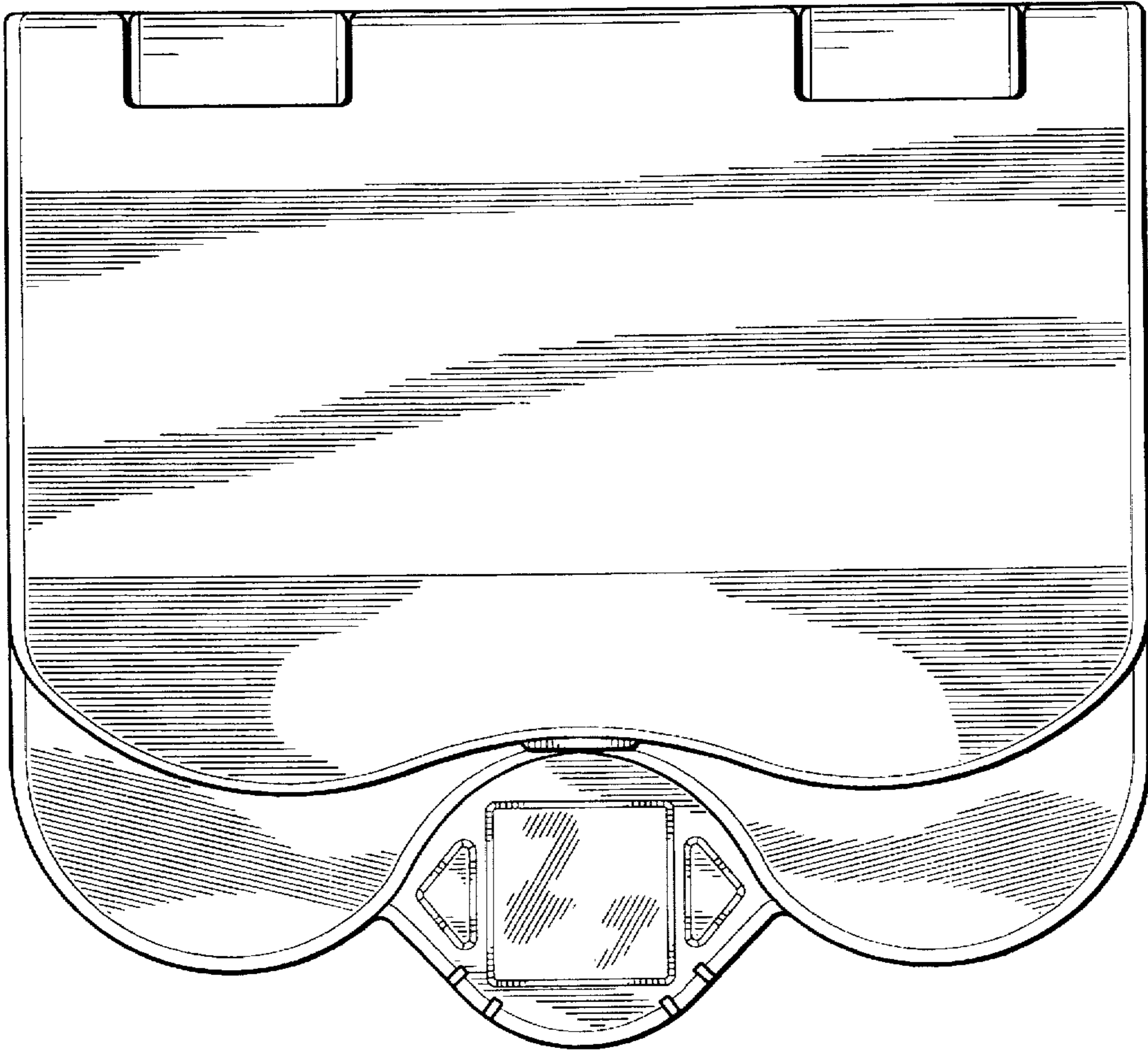


FIG. 13

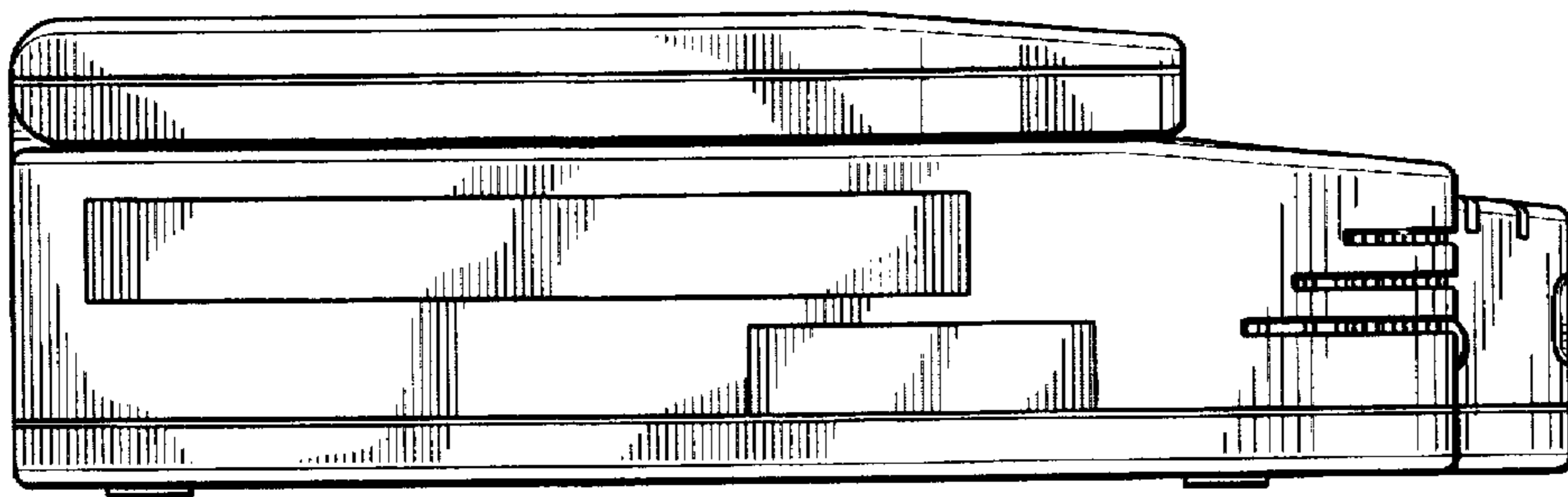


FIG. 14

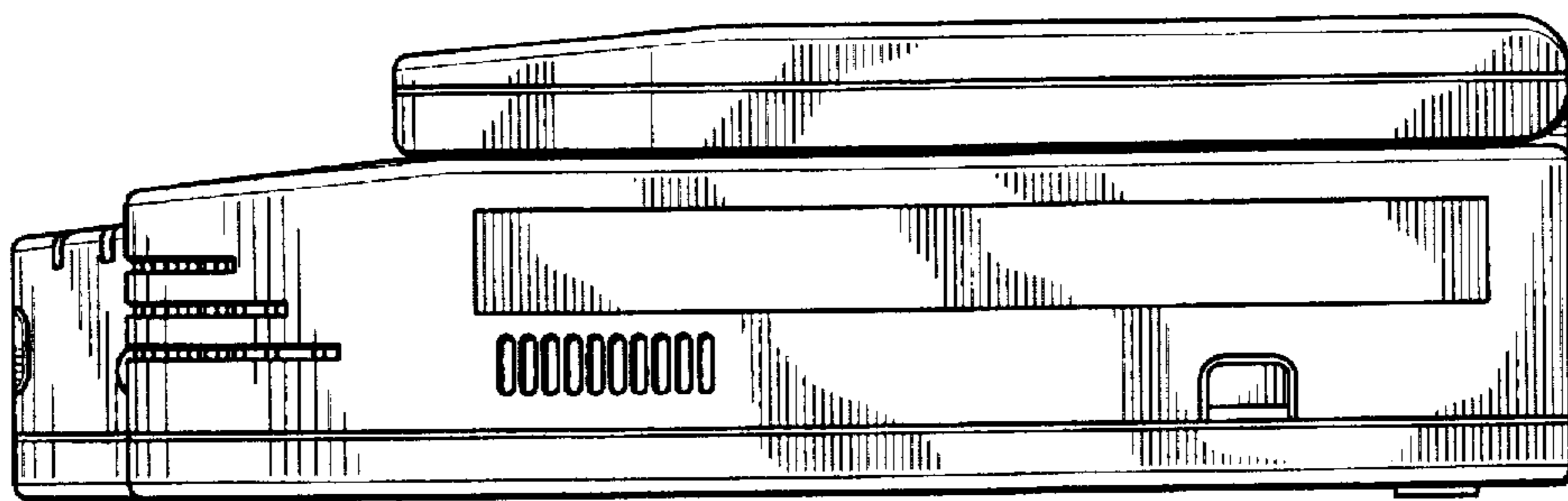


FIG. 15

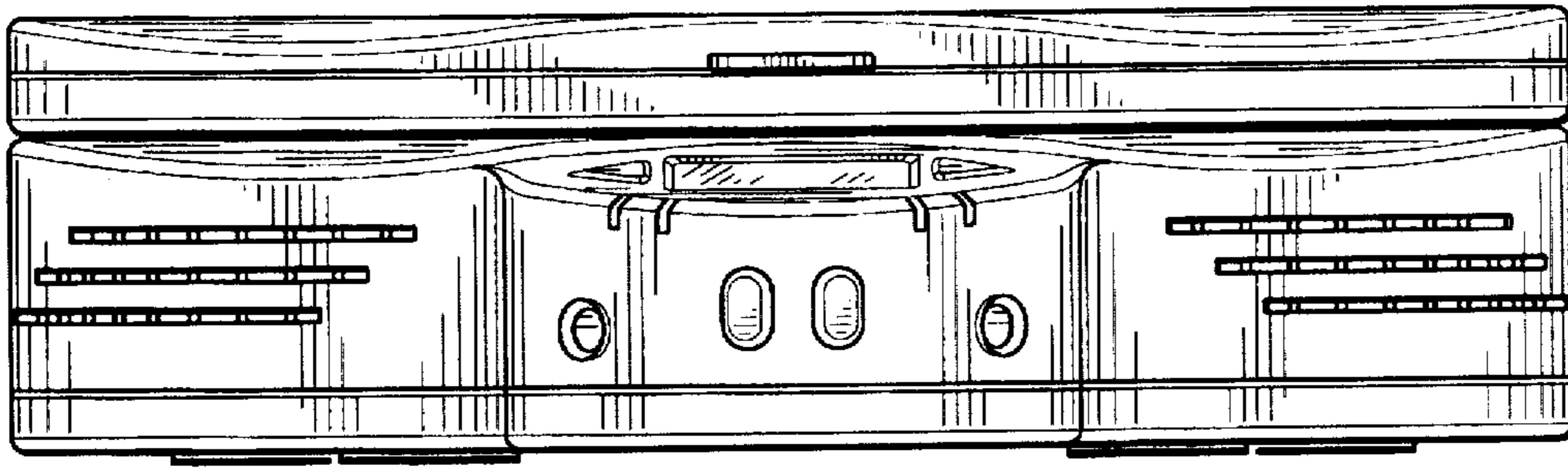


FIG. 16

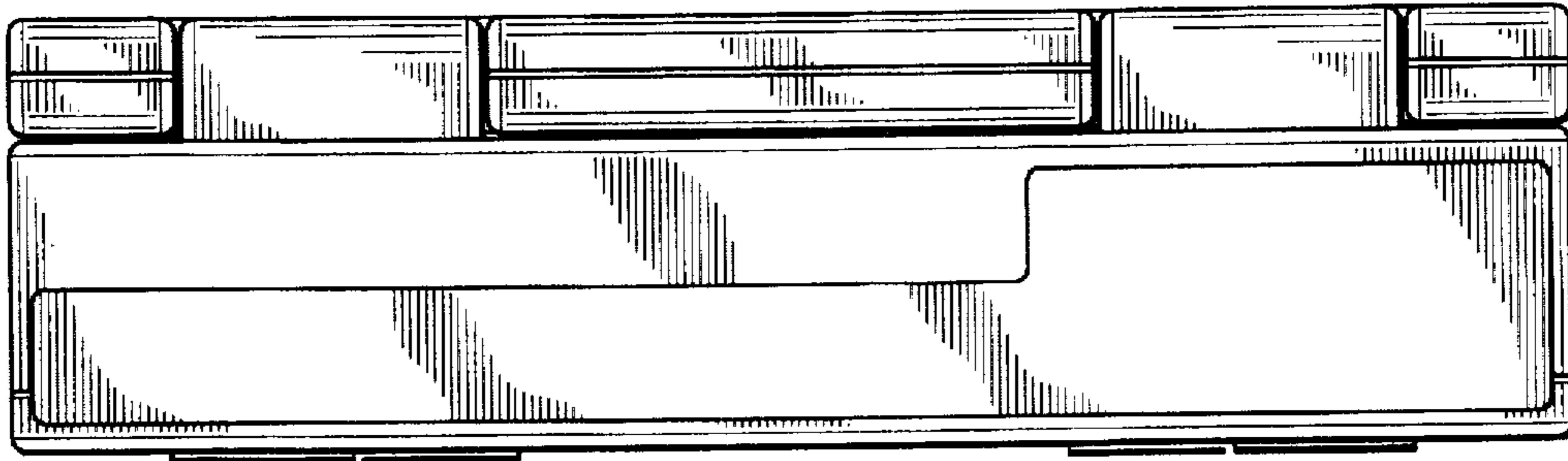


FIG. 17

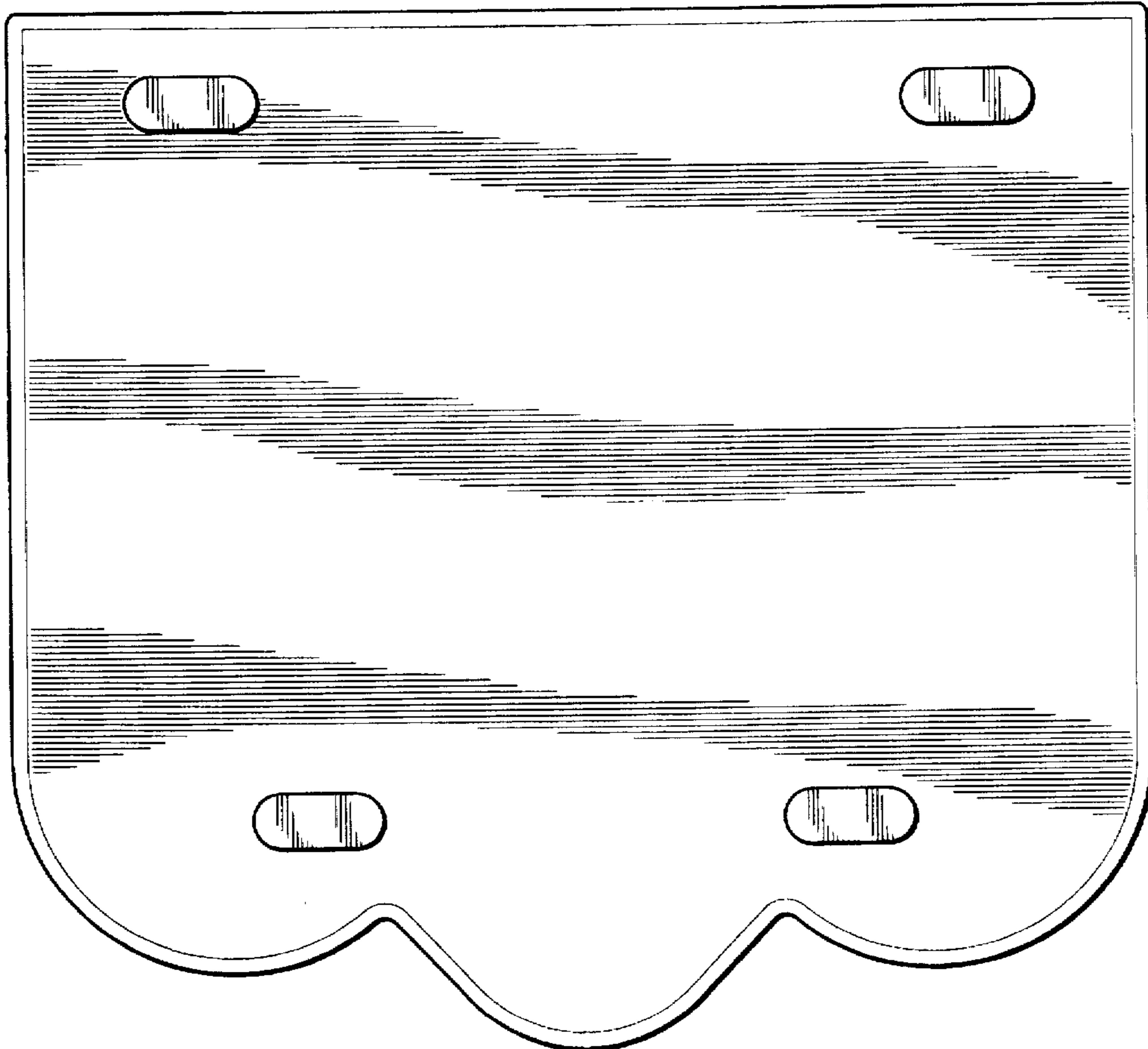


FIG. 18