



US00D389813S

United States Patent [19]

Itoh

[11] Patent Number: **Des. 389,813**

[45] Date of Patent: ****Jan. 27, 1998**

[54] SALES BUSINESS TERMINAL UNIT

[75] Inventor: **Hirotda Itoh, Kawasaki, Japan**

[73] Assignee: **Nitsuko Corporation, Kanagawa, Japan**

[**] Term: **14 Years**

[21] Appl. No.: **57,937**

[22] Filed: **Aug. 5, 1996**

[30] Foreign Application Priority Data

Jun. 21, 1996 [JP] Japan 8-18244

[51] LOC (6) Cl. **14-02**

[52] U.S. Cl. **D14/105; D18/4**

[58] Field of Search D14/100, 101,
D14/105, 113; D18/1, 4; 345/104, 156,
168, 173, 901-905, 87; 361/680-686; 364/708.1,
709.04, 709.12, DIG. 2; 235/2, 7 R; 348/150;
395/216; 902/22

[56] References Cited

U.S. PATENT DOCUMENTS

D. 346,594 5/1994 Skaggs et al. D14/113

D. 355,897 2/1995 Nakanishi et al. D14/100
D. 359,952 7/1995 Cox et al. D14/105
D. 360,196 7/1995 Cox et al. D14/105

Primary Examiner—Freda Nunn
Attorney, Agent, or Firm—Leydig, Voit & Mayer, Ltd

[57] CLAIM

The ornamental design for a sales business terminal unit, as shown and described.

DESCRIPTION

FIG. 1 is a front view of a sales business terminal unit;
FIG. 2 is a top plan view thereof;
FIG. 3 is a rear view thereof;
FIG. 4 is a bottom plan view thereof;
FIG. 5 is a left side elevational view thereof;
FIG. 6 is a right side elevational view thereof;
FIG. 7 is a perspective view thereof;
FIG. 8 is a left side elevational view thereof with front panel stood up; and,
FIG. 9 is a perspective view thereof with front door opened.

1 Claim, 4 Drawing Sheets

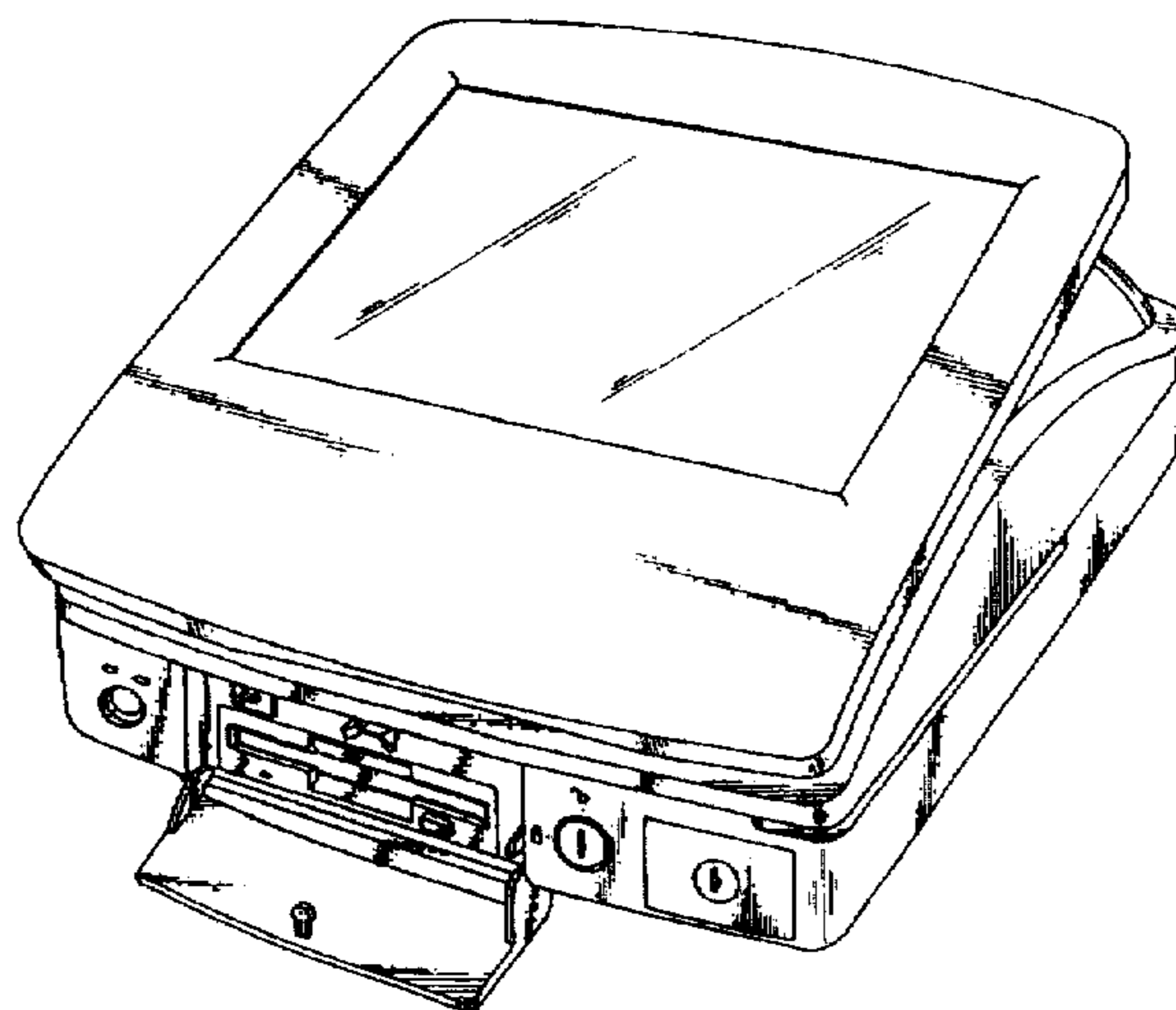
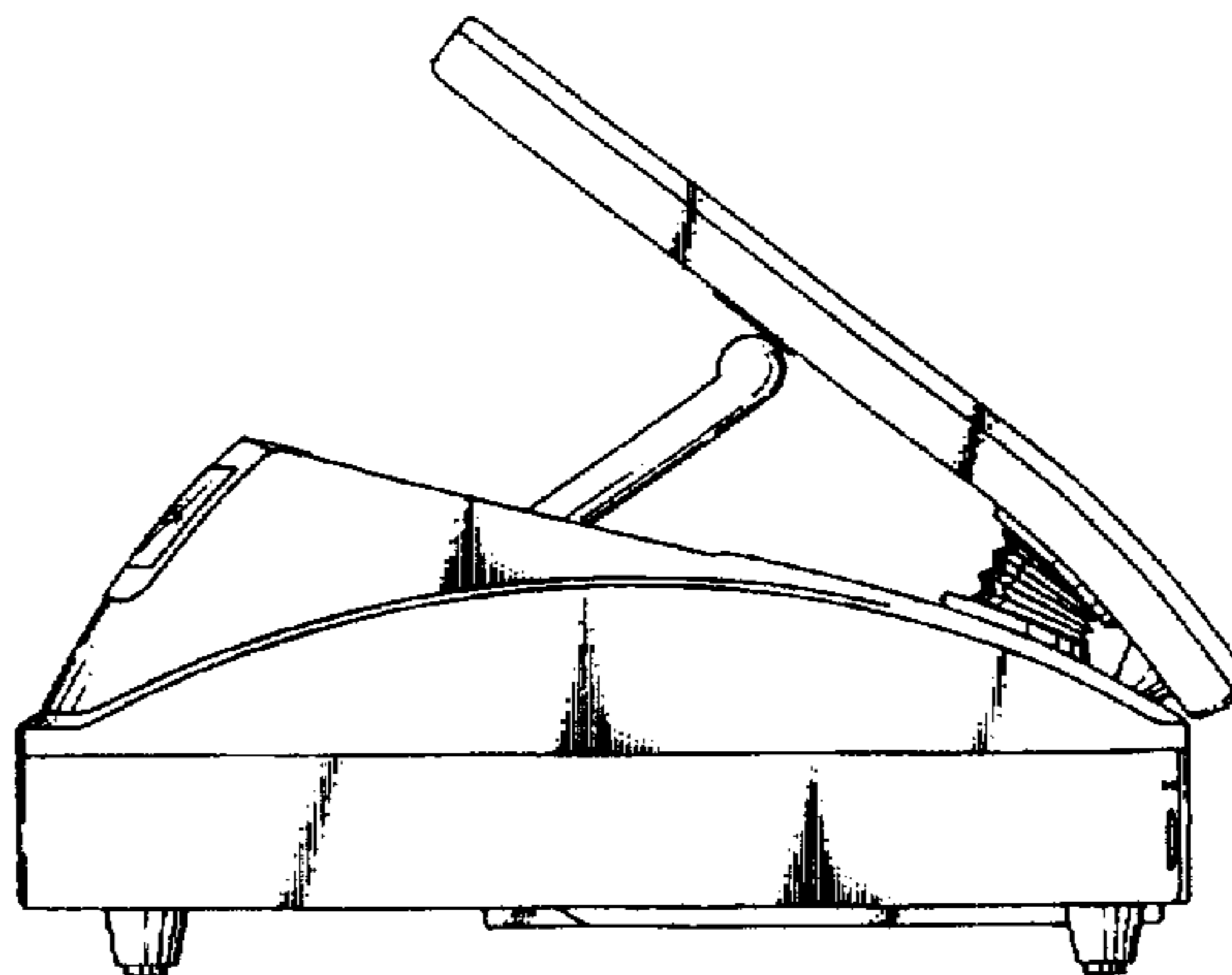


FIG. 1

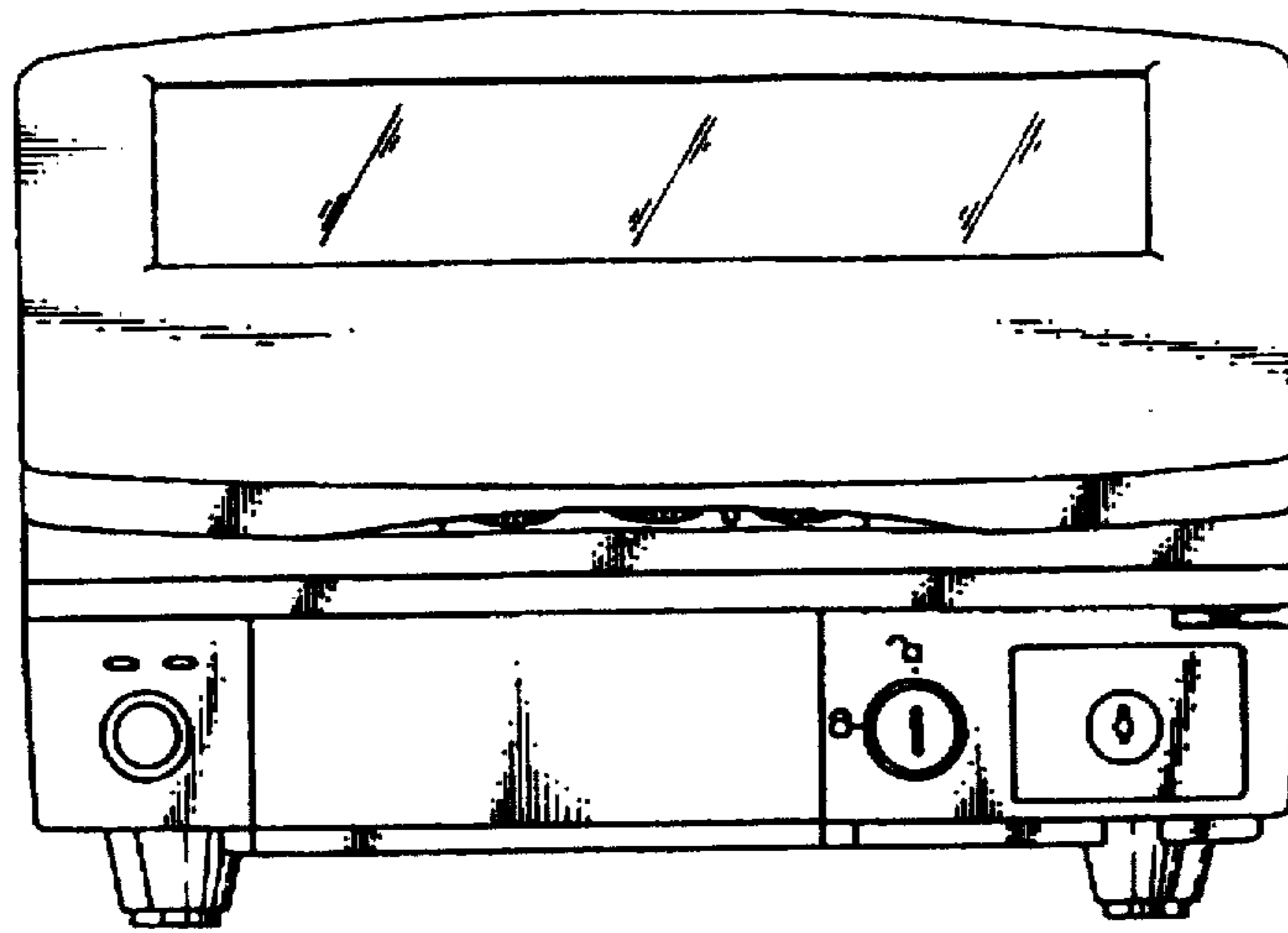


FIG. 2

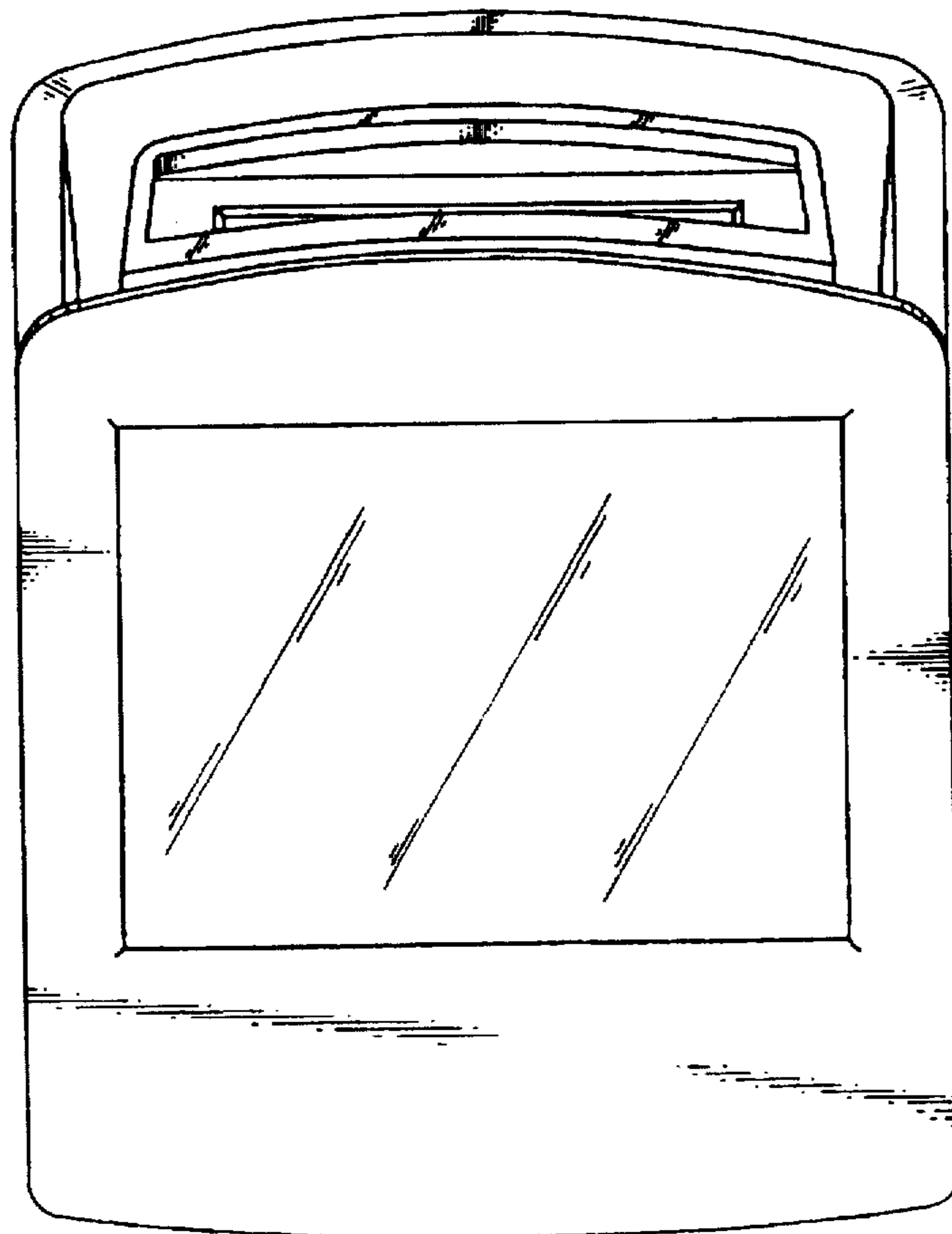


FIG. 3

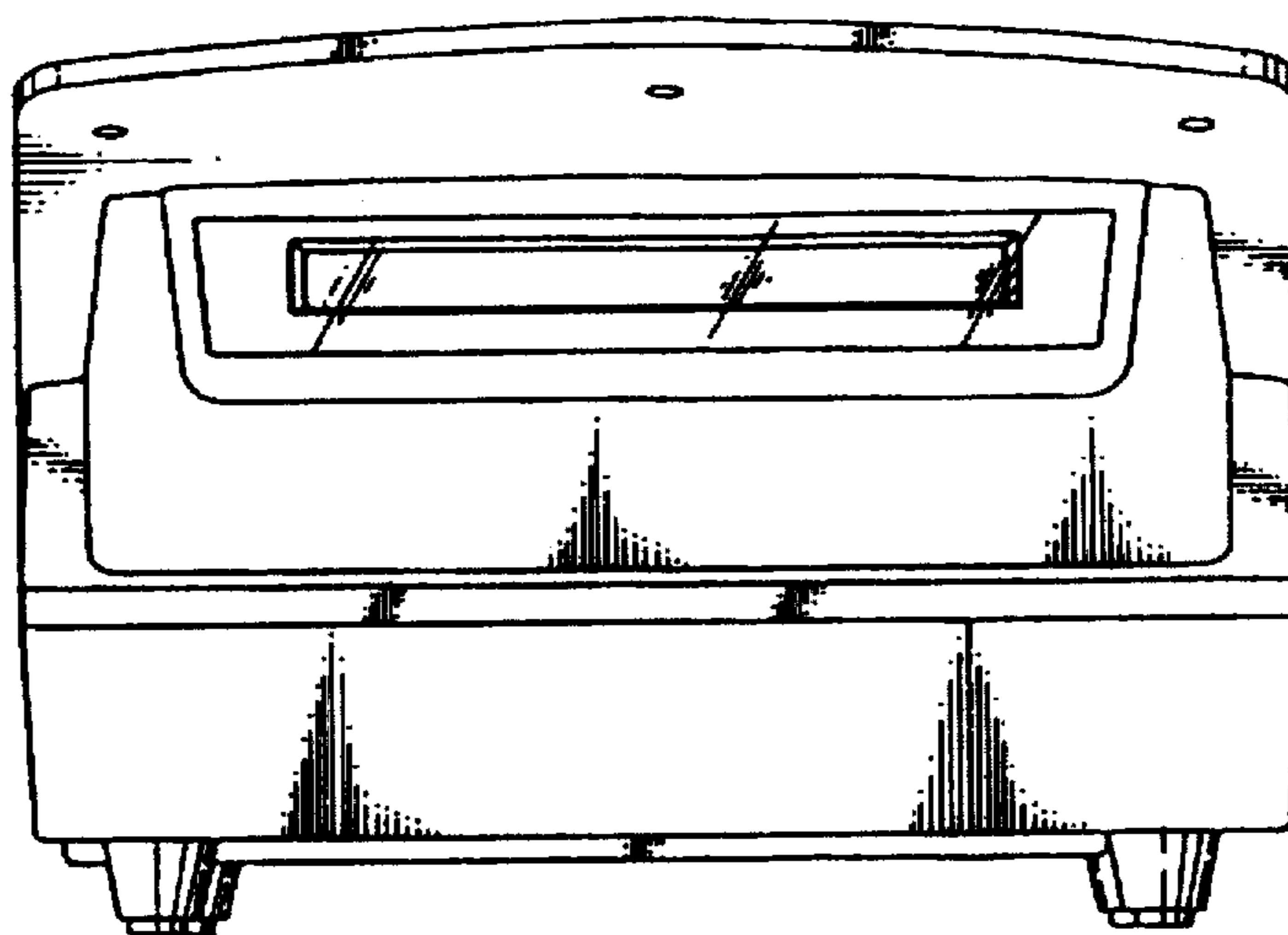


FIG. 4

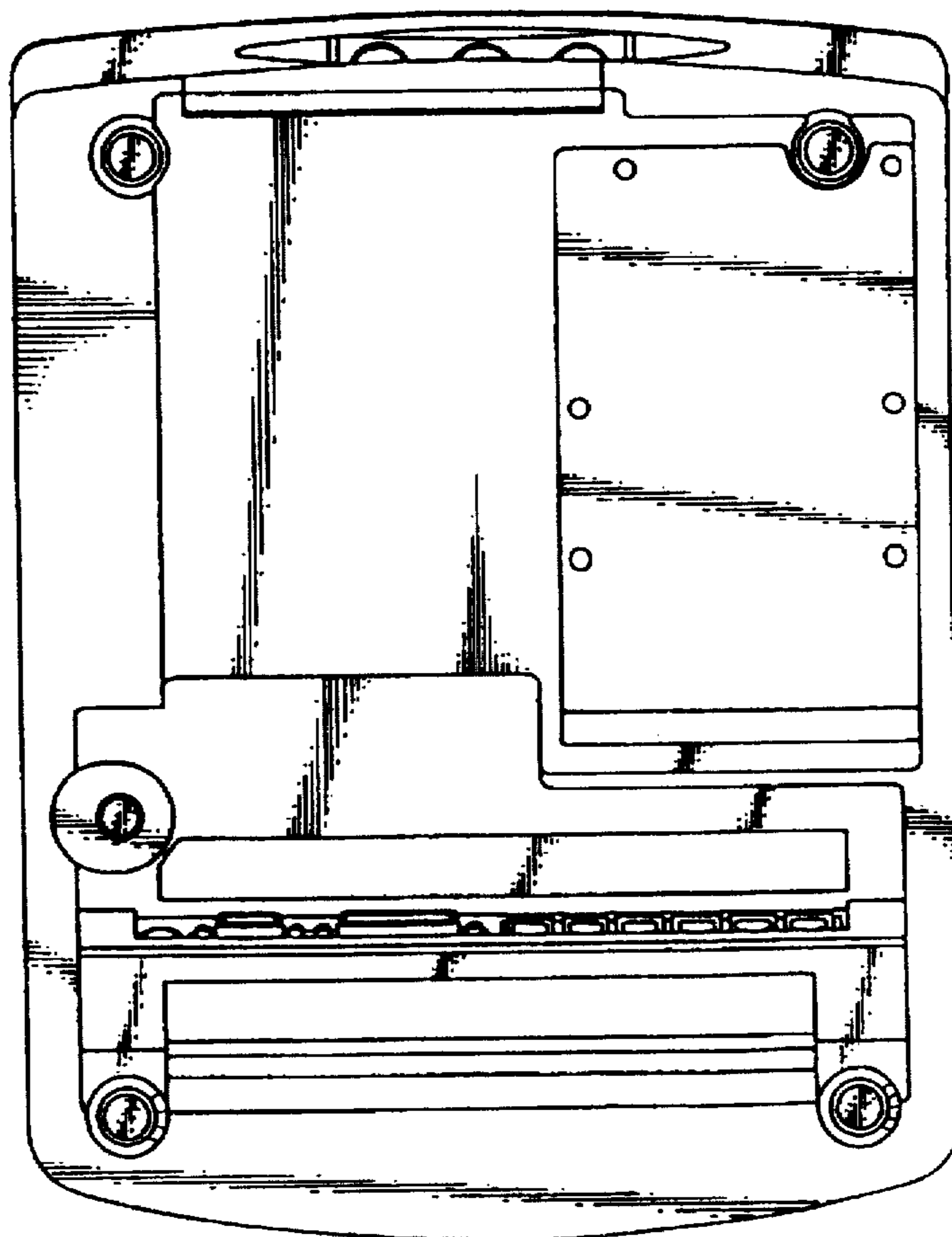


FIG. 5

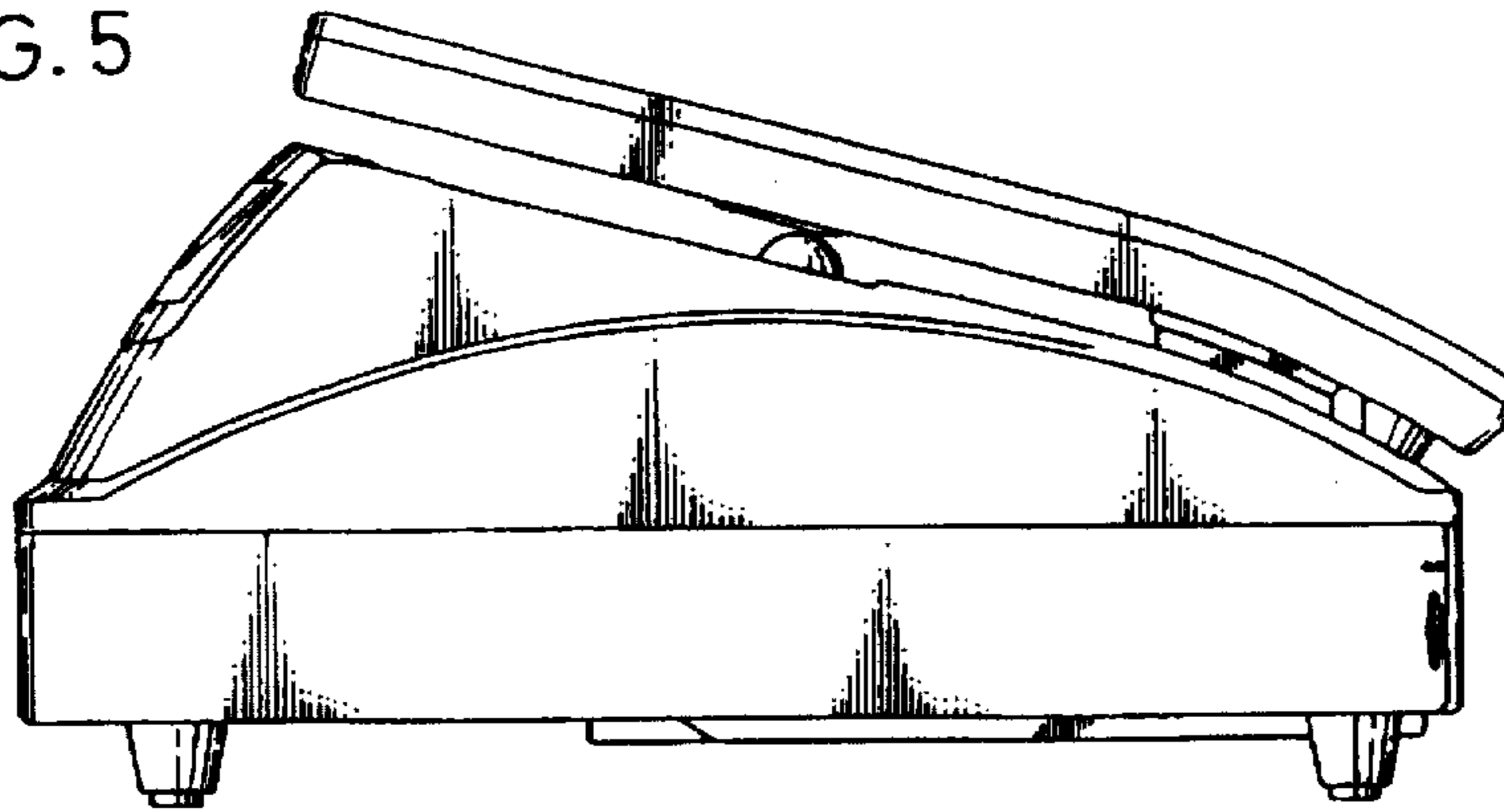


FIG. 6

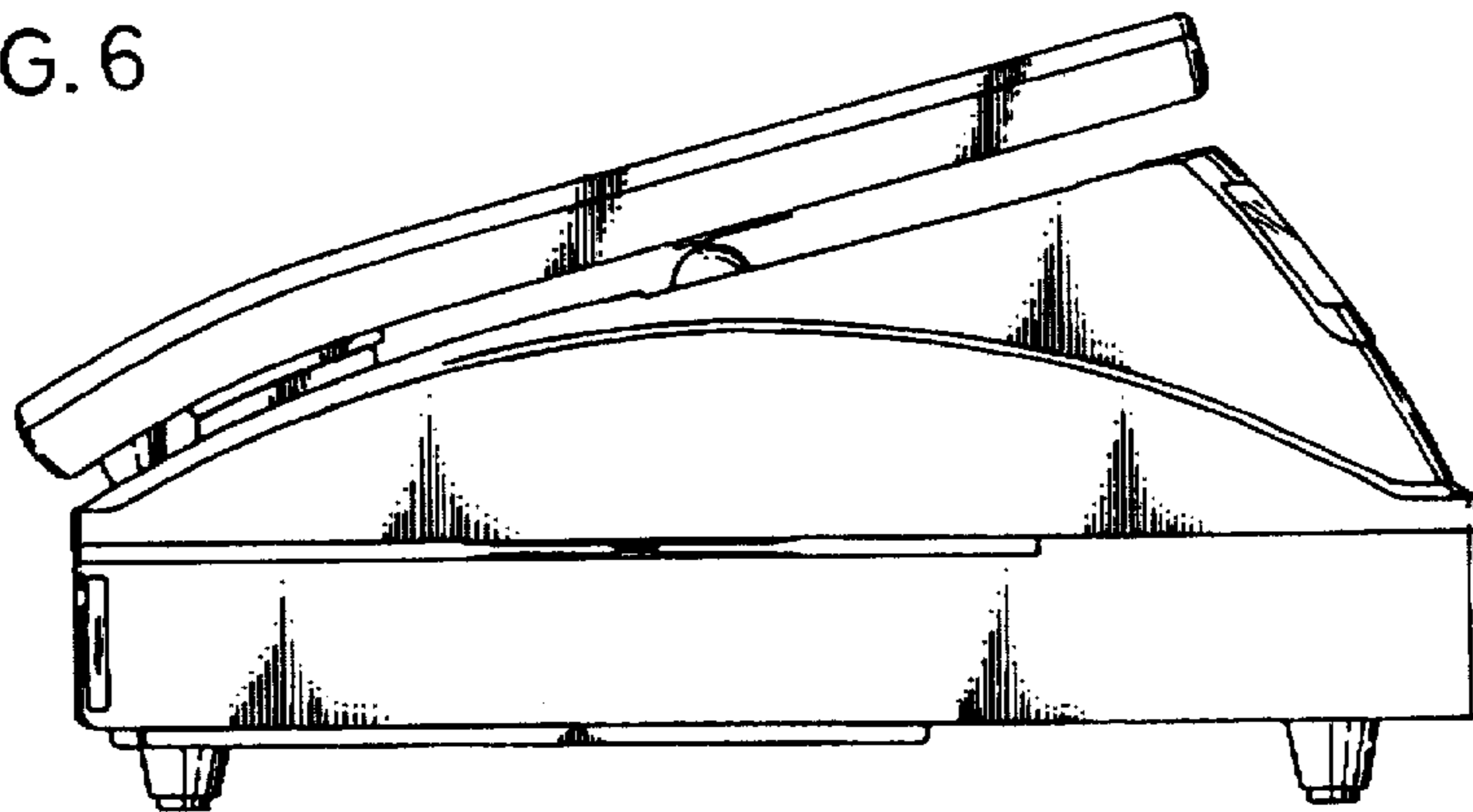


FIG. 7

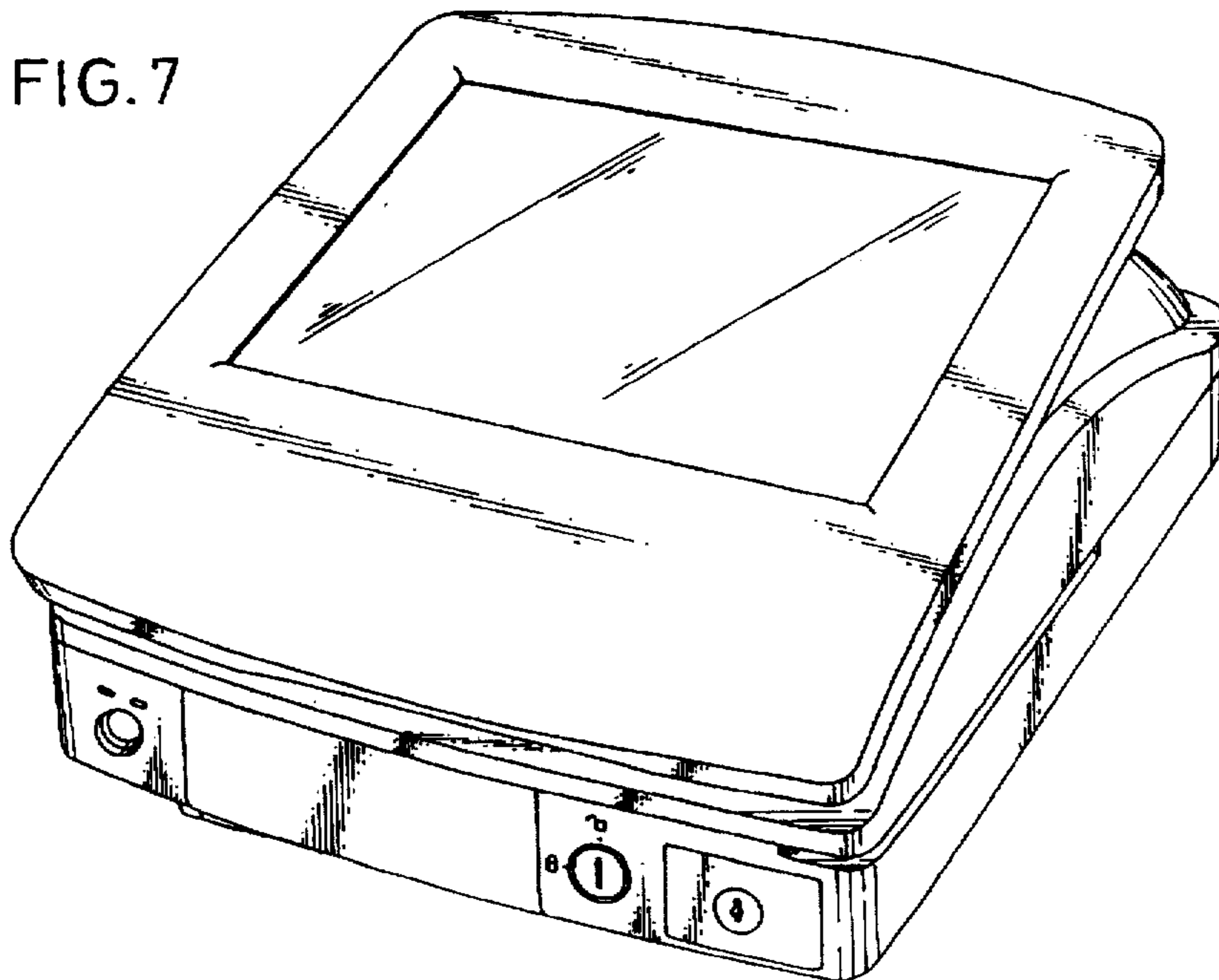


FIG. 8

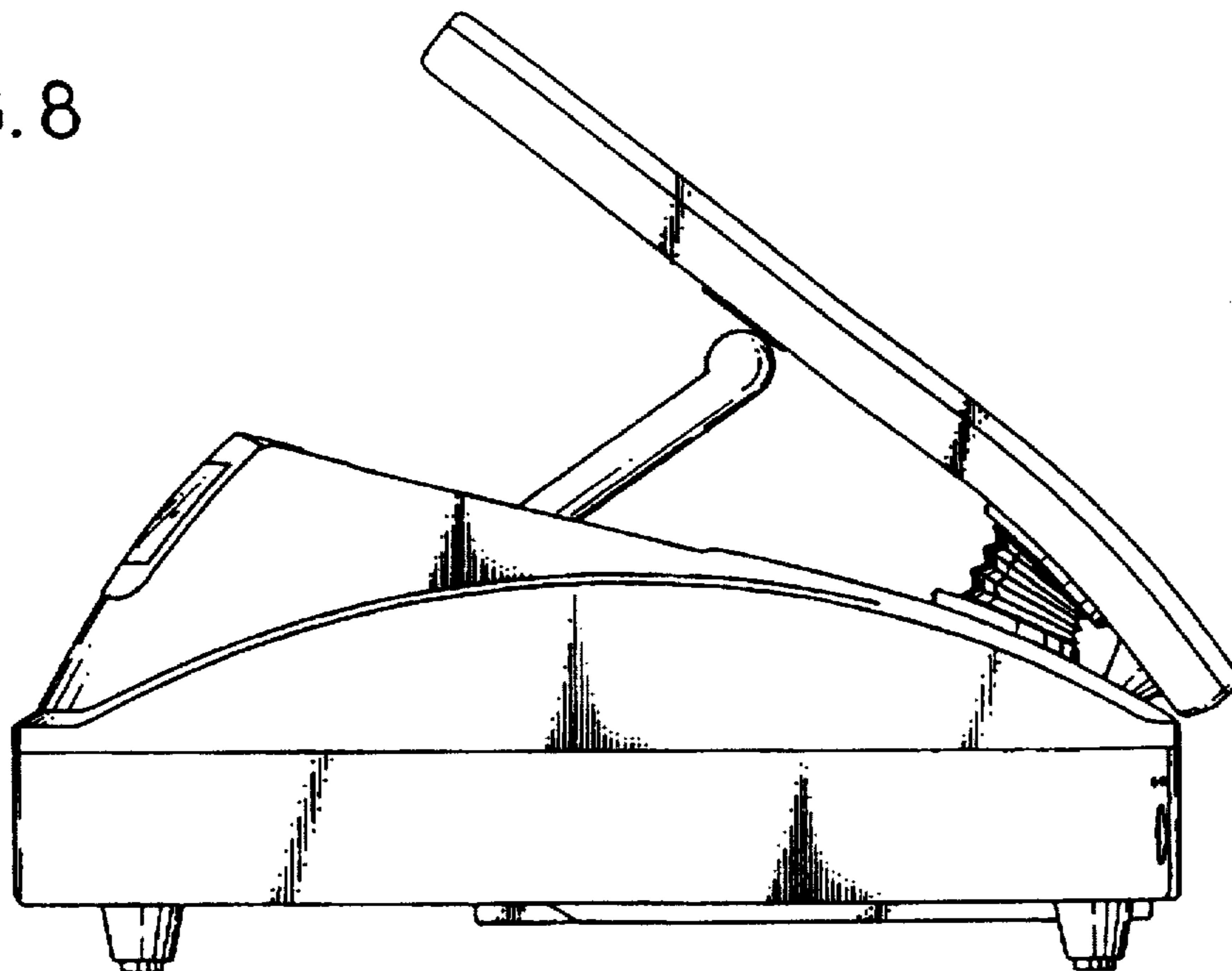


FIG. 9

