

US00D389811S

United States Patent [19]

Wong et al.

[11] Patent Number: **Des. 389,811**

[45] Date of Patent: ****Jan. 27, 1998**

- [54] **SYSTEM PROCESSOR UNIT FOR PERSONAL COMPUTERS**
- [75] Inventors: **Gil Y. Wong; Max Yoshimoto**, both of Palo Alto; **Yves Behar**, San Francisco; **Peter Lee**, San Jose, all of Calif.
- [73] Assignee: **Hewlett-Packard Company**, Palo Alto, Calif.
- [**] Term: **14 Years**
- [21] Appl. No.: **56,452**
- [22] Filed: **Jun. 28, 1996**
- [51] LOC (6) Cl. **14-02**
- [52] U.S. Cl. **D14/100; D14/109**
- [58] Field of Search **D14/100, 102, D14/107-109; D13/162, 184, 199; D6/432, 436, 445, 448; 312/208.1, 254, 292; 360/99.01, 99.12; 361/694, 696, 683**

[56] **References Cited**

U.S. PATENT DOCUMENTS

D. 362,237 9/1995 Nakada D14/109 X

D. 375,488 11/1996 Ikenaga D14/107

Primary Examiner—Freda Nunn

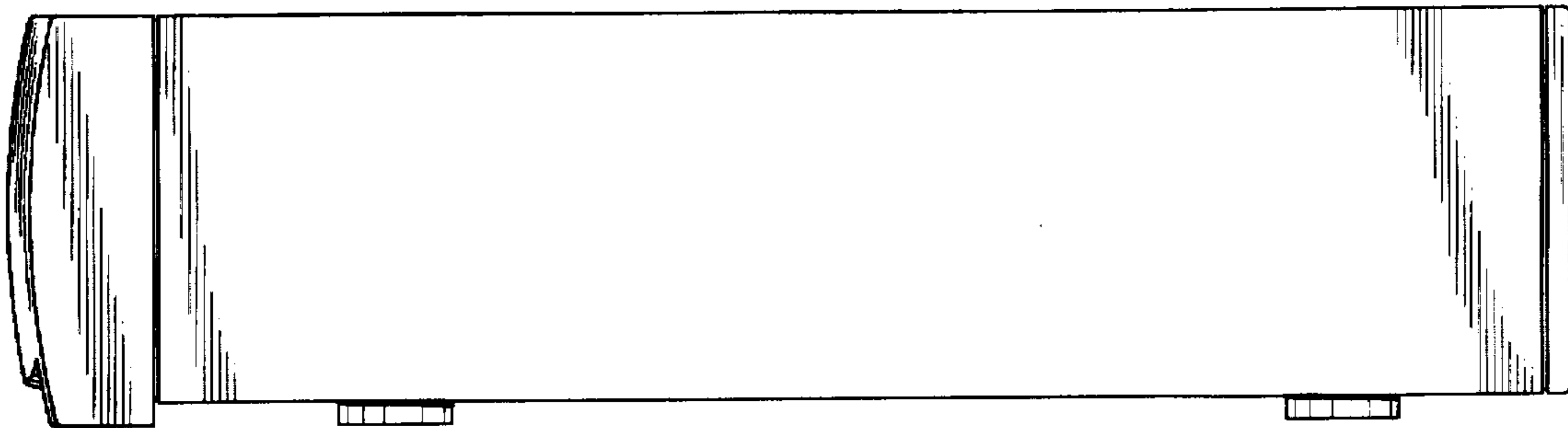
[57] **CLAIM**

The ornamental design for a system processor unit for personal computers, as shown and described.

DESCRIPTION

FIG. 1 is a front elevational view of a system processor unit for personal computers showing our new design;
 FIG. 2 is a front elevational view of a second embodiment thereof;
 FIG. 3 is a front elevational view of a third embodiment thereof;
 FIG. 4 is a rear elevational view thereof;
 FIG. 5 is a top plan view thereof;
 FIG. 6 is a bottom plan view thereof;
 FIG. 7 is a right side elevational view thereof;
 FIG. 8 is a left side elevational view thereof; and,
 FIG. 9 is a perspective view of the third embodiment thereof.
 The undisclosed views of the second and third embodiments are identical to those of the first embodiment.

1 Claim, 8 Drawing Sheets



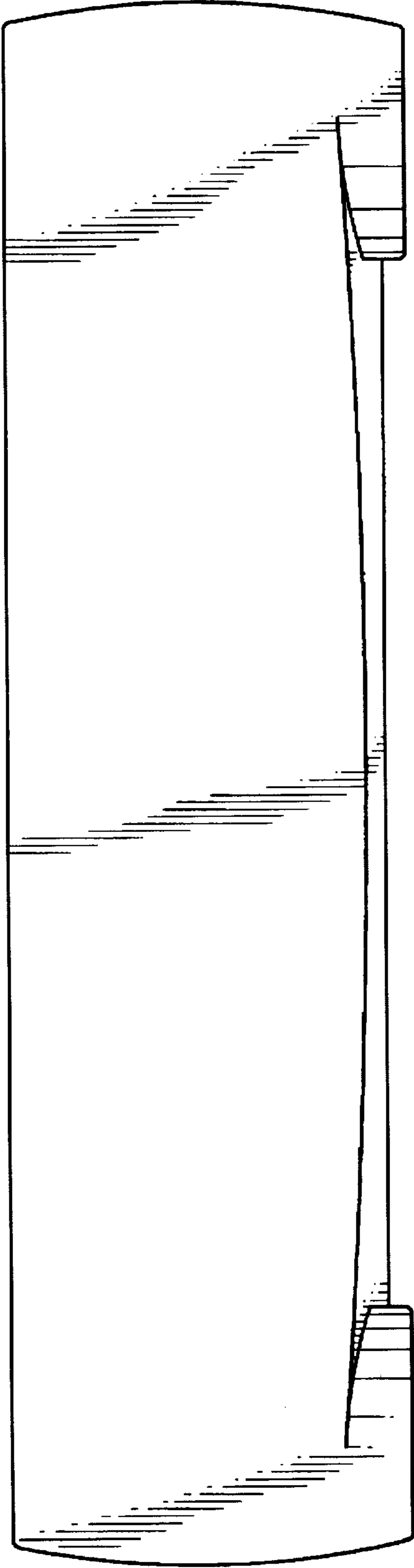


Figure 1

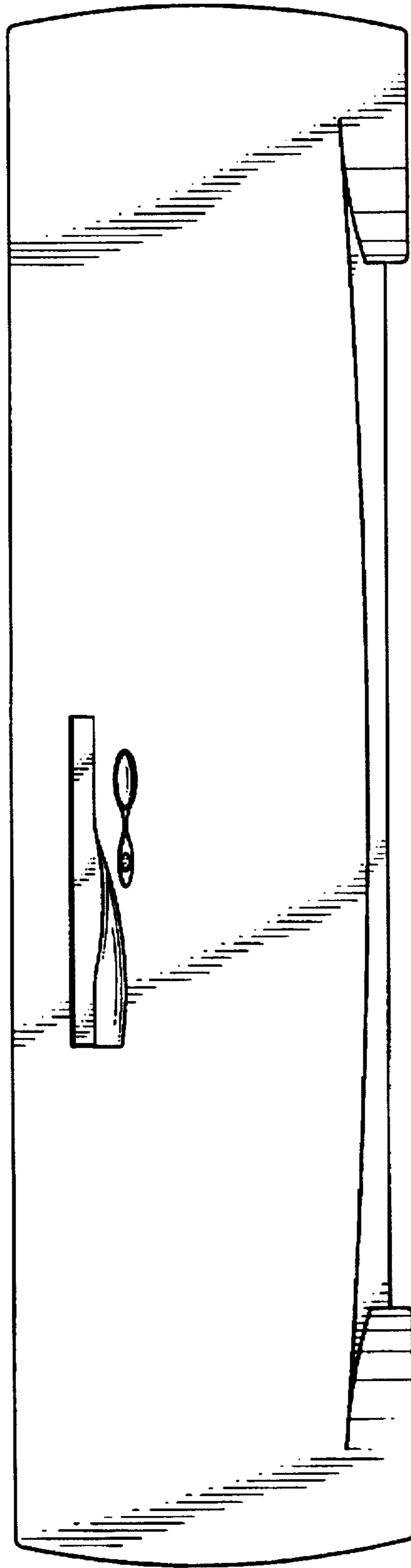


Figure 2

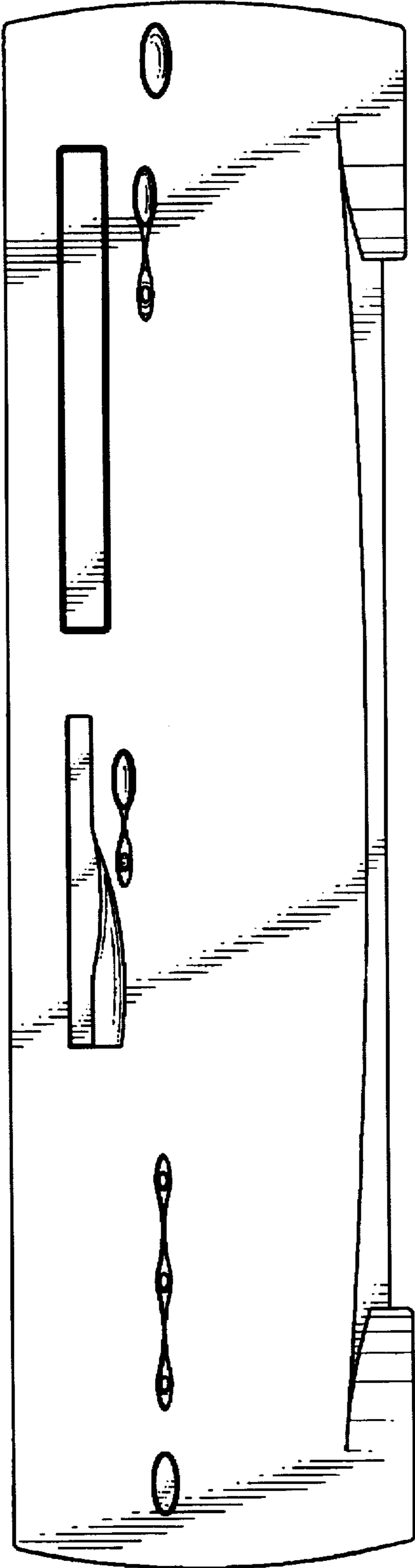


Figure 3

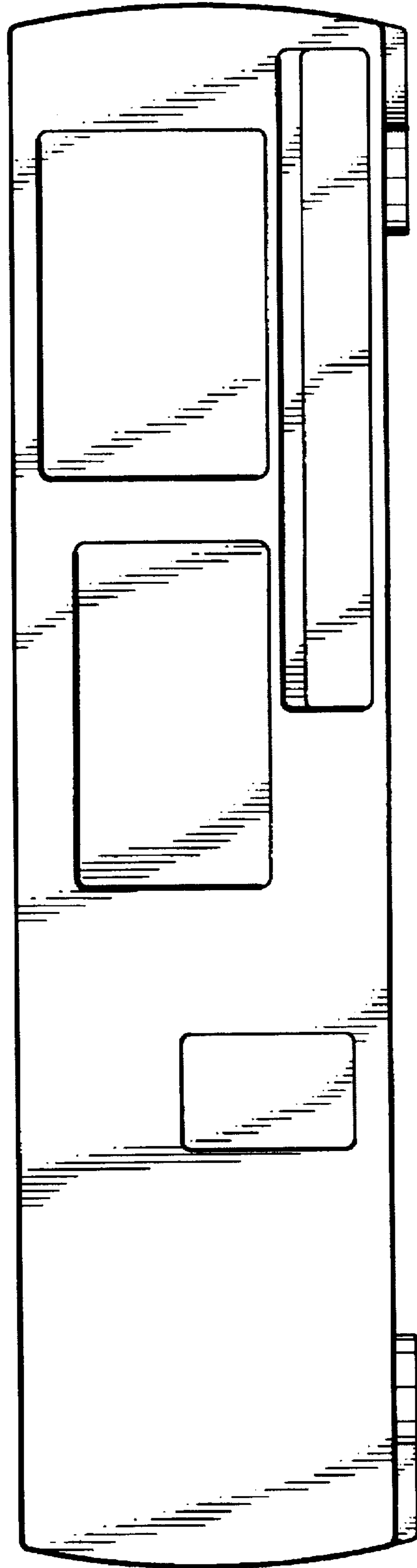


Figure 4

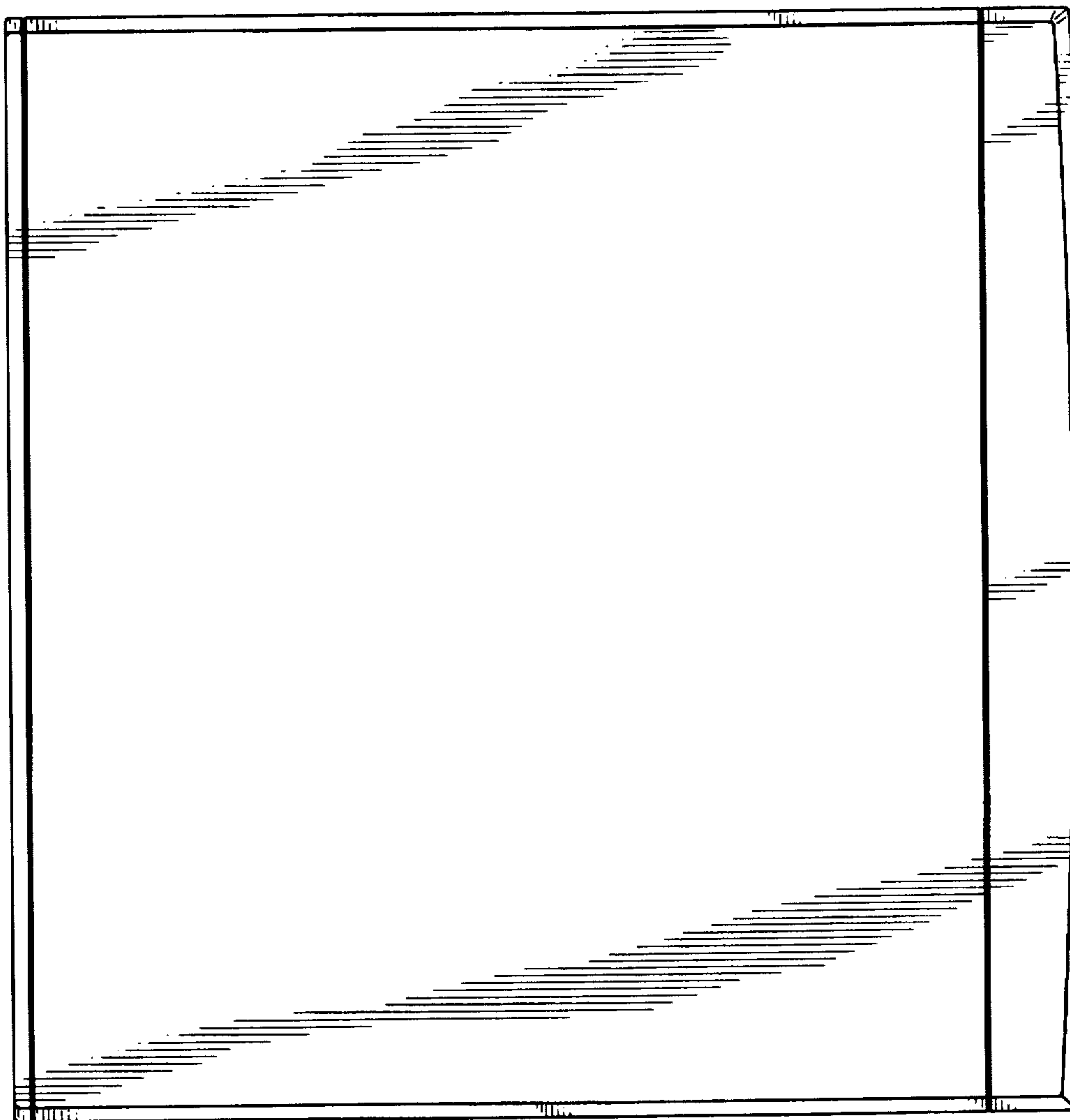


Figure 5

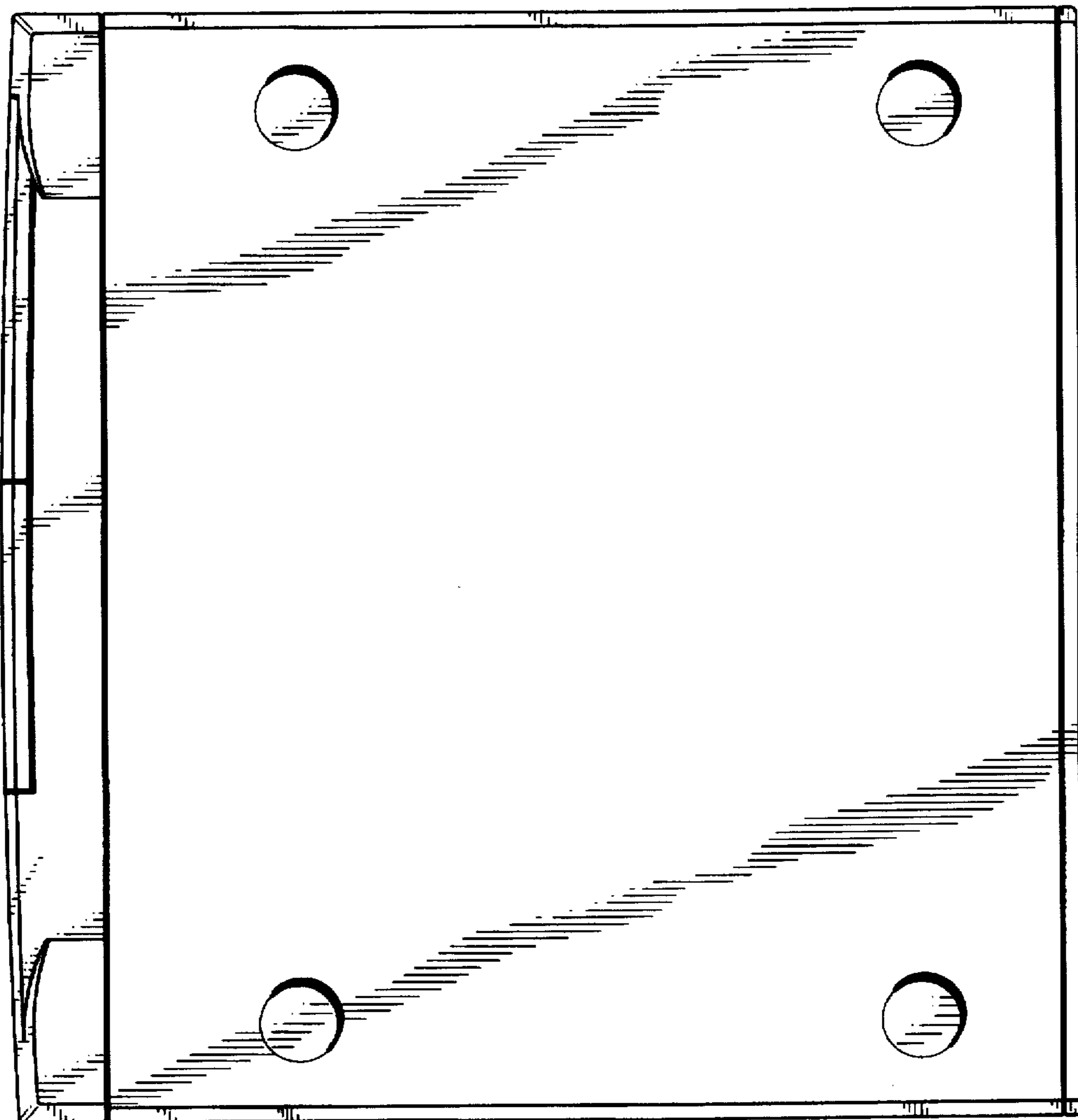


Figure 6

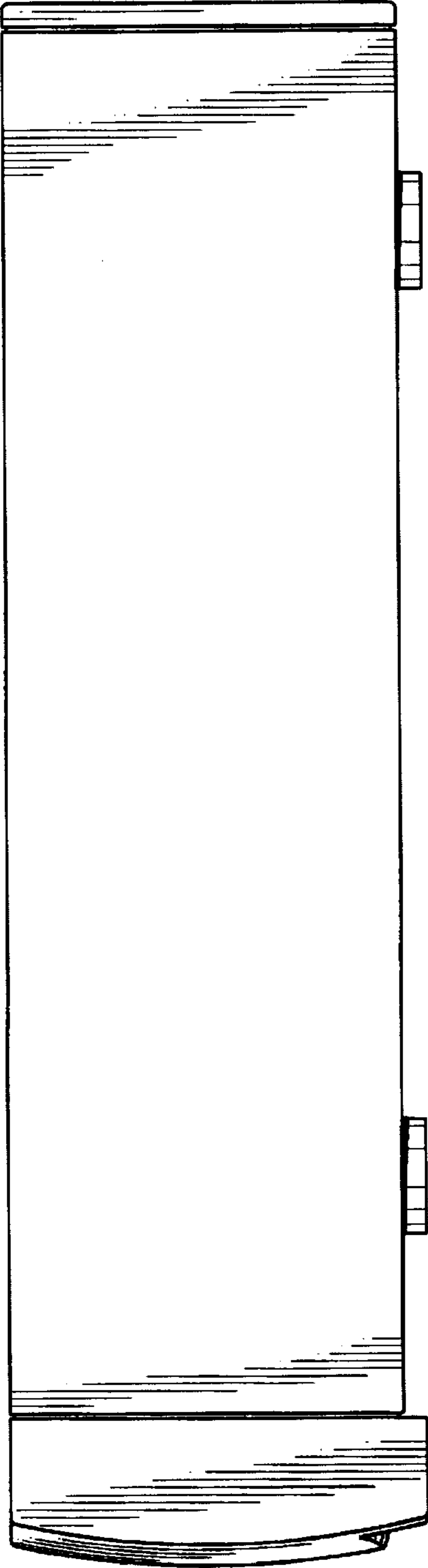


Figure 7

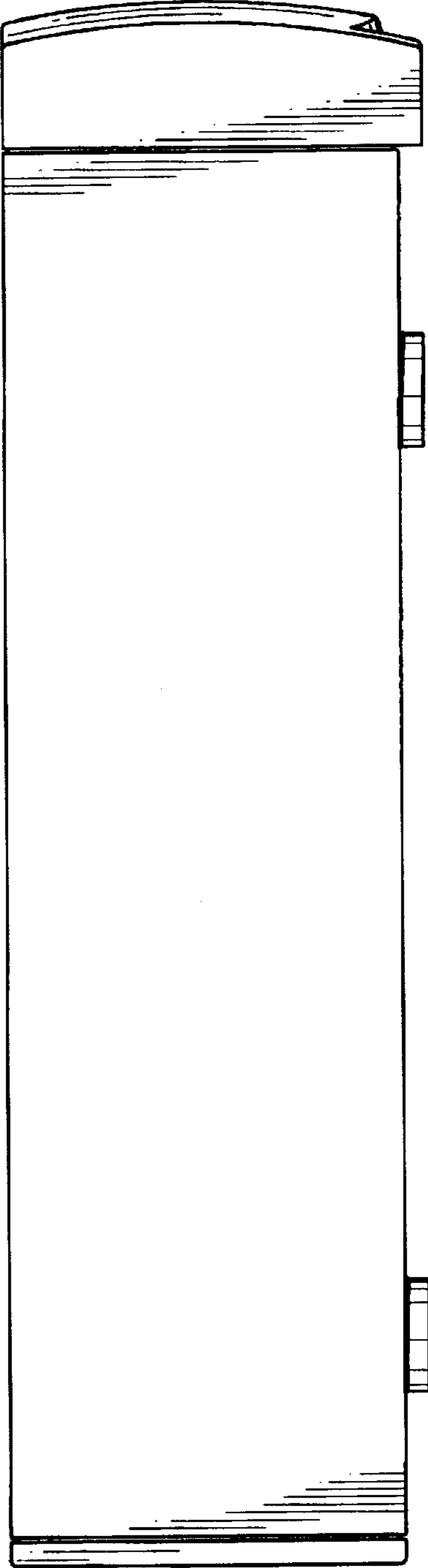


Figure 8

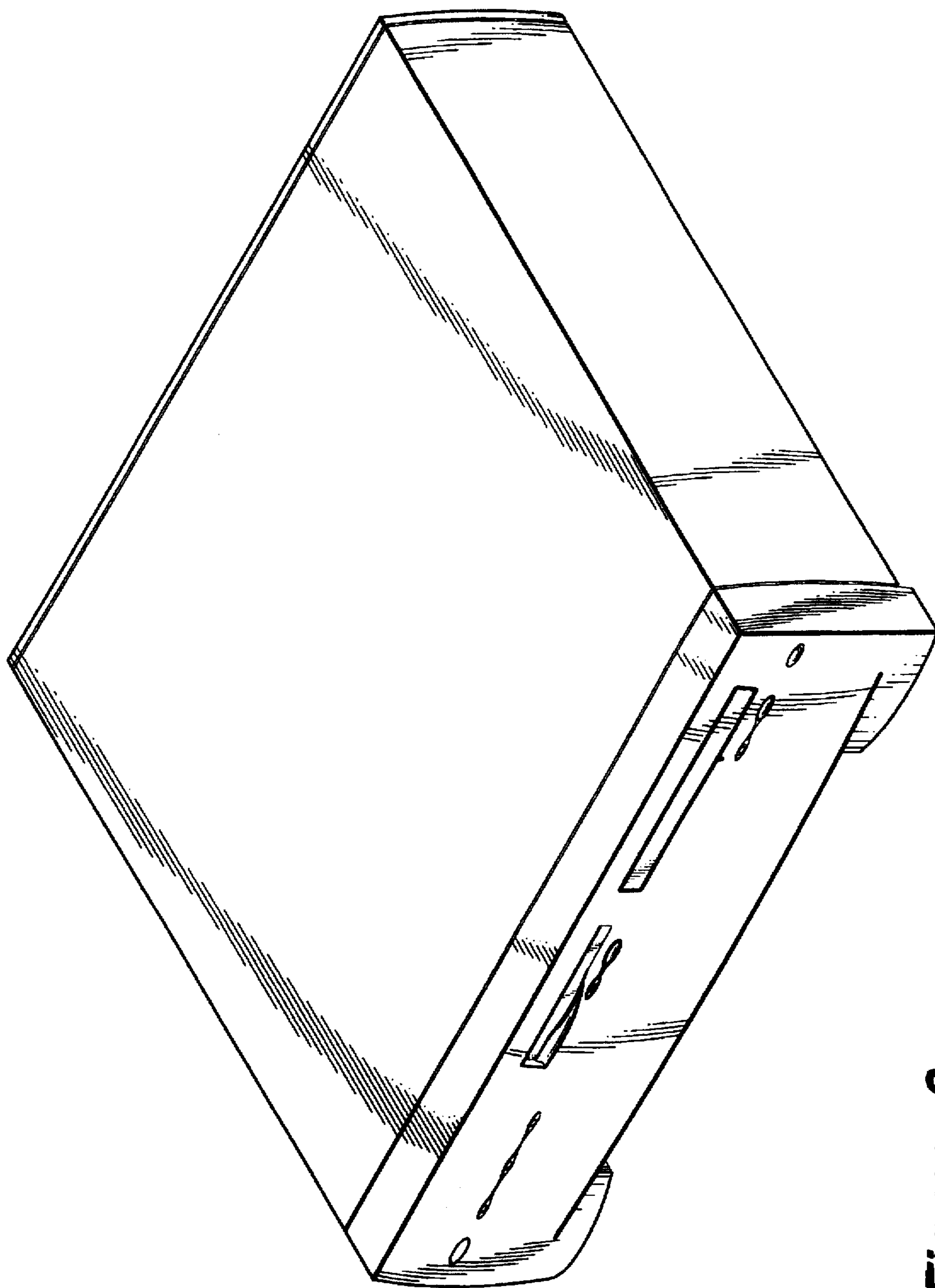


Figure 9