



US00D389810S

**United States Patent** [19]  
**Brawne et al.**

[11] **Patent Number: Des. 389,810**  
[45] **Date of Patent: \*\*Jan. 27, 1998**

[54] **MEMORY DEVICE**

[75] **Inventors: Nichols Brawne, Columbus, Ohio; George Meyer, Ogden; Michael D. Johnson, Kaysville, both of Utah**

[73] **Assignee: Iomega Corporation, Roy, Utah**

[\*\*] **Term: 14 Years**

[21] **Appl. No.: 49,703**

[22] **Filed: Jan. 29, 1996**

[51] **LOC (6) Cl. .... 14-02**

[52] **U.S. Cl. .... D14/100**

[58] **Field of Search .... D14/100, 106, D14/107, 109; D13/162, 184, 199; 361/679-686; 364/708.1, 709.04, 709.12**

[56] **References Cited**

**U.S. PATENT DOCUMENTS**

D. 306,432	3/1990	Kato et al. ....	D14/100
D. 313,011	12/1990	Searle et al. ....	D14/100
D. 332,445	1/1993	Lin ....	D14/109
D. 334,917	4/1993	Miyamoto ....	D14/108
D. 337,997	8/1993	Brunner et al. ....	D14/109
D. 346,593	5/1994	Mizusugi et al. ....	D14/109
D. 352,702	11/1994	Austin ....	D14/108
D. 354,500	1/1995	Georgopoulos ....	D14/242
D. 356,784	3/1995	Hill et al. ....	D14/108
D. 358,138	5/1995	Koyanagi et al. ....	D14/109
D. 359,852	7/1995	Wicks ....	D14/109
D. 360,197	7/1995	Ikenaga ....	D14/107
D. 365,338	12/1995	Kabasawa et al. ....	D14/109
D. 365,808	1/1996	Alden et al. ....	D14/107
D. 368,468	4/1996	Kobayashi ....	D14/100

4,051,735	10/1977	Johnson et al. ....	74/25
4,504,879	3/1985	Toldi et al. ....	360/105
4,571,646	2/1986	Bauck et al. ....	360/99
4,663,677	5/1987	Griffith et al. ....	360/71
4,722,012	1/1988	Toldi et al. ....	360/97
4,740,851	4/1988	Jones et al. ....	360/97
5,140,478	8/1992	Yoshida ....	360/97.01
5,182,698	1/1993	Kobayashi et al. ....	361/395
5,204,793	4/1993	Plonczak ....	360/97.01
5,363,273	11/1994	Ma ....	361/686
5,422,775	6/1995	Martin ....	360/133

**FOREIGN PATENT DOCUMENTS**

WO 93/18507 9/1993 WIPO .

*Primary Examiner*—Freda Nunn  
*Attorney, Agent, or Firm*—Woodcock Washburn Kurtz Mackiewicz & Norris

[57] **CLAIM**

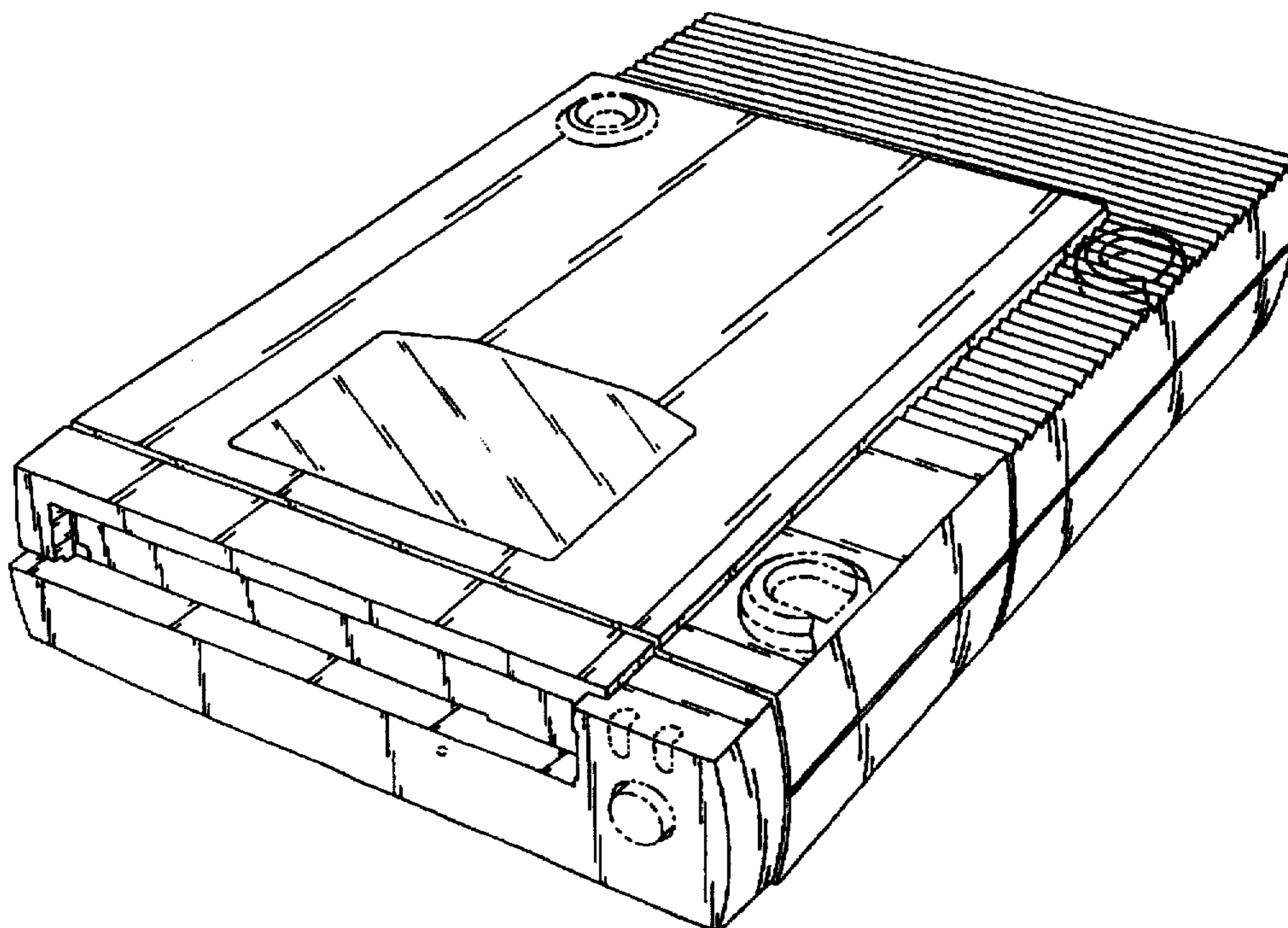
The ornamental design for a memory device, as shown and described.

**DESCRIPTION**

FIG. 1 is a perspective view of a memory device incorporating our new design;  
FIG. 2 is a front elevational view;  
FIG. 3 is a rear elevational view;  
FIG. 4 is a first side elevational view;  
FIG. 5 is a second side elevational view;  
FIG. 6 is a top plan view; and  
FIG. 7 is a bottom plan view.

The broken lines are shown in the views for illustrative purposes only and form no part of the claimed design.

**1 Claim, 5 Drawing Sheets**



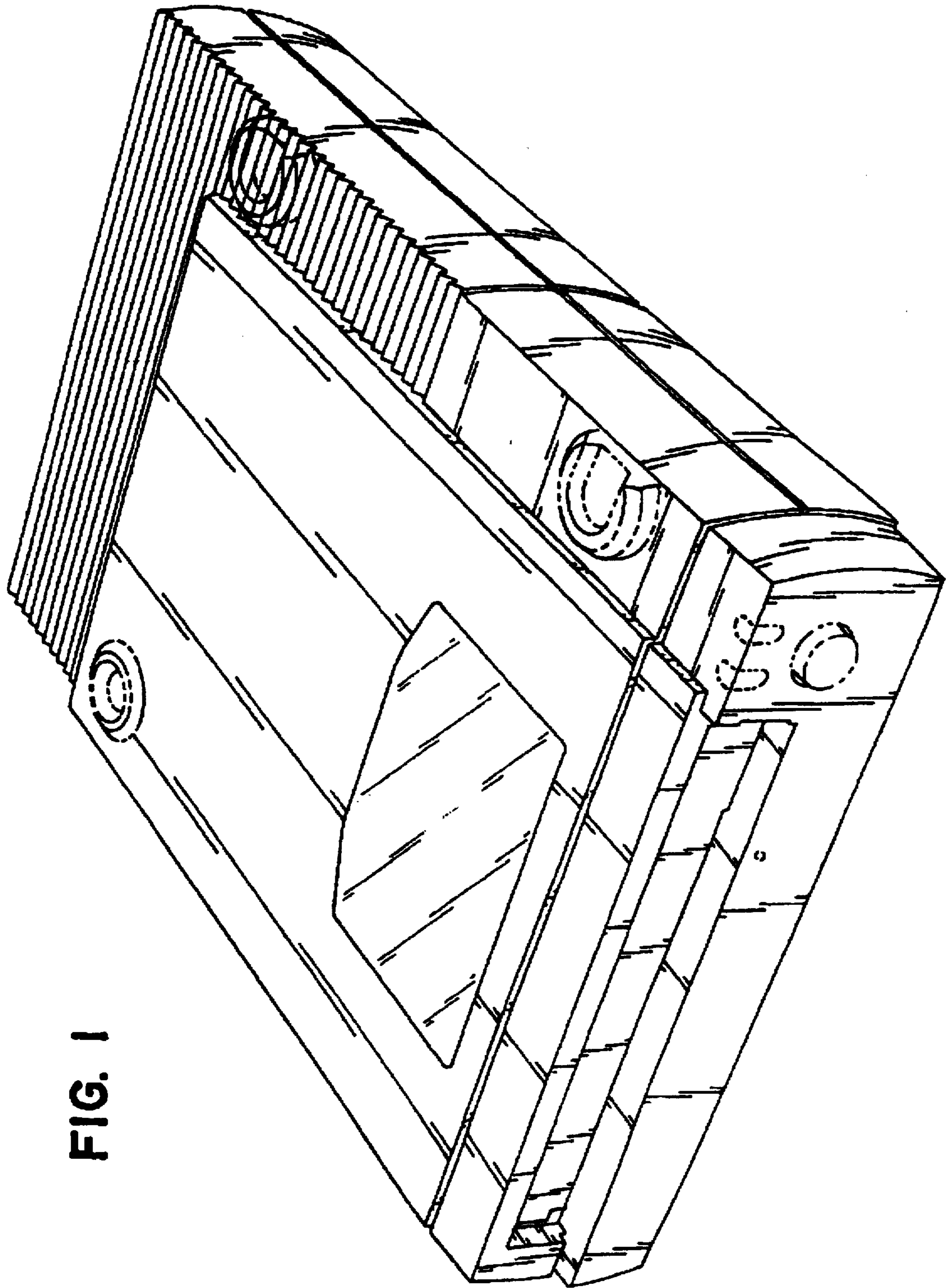


FIG. 1

FIG. 2

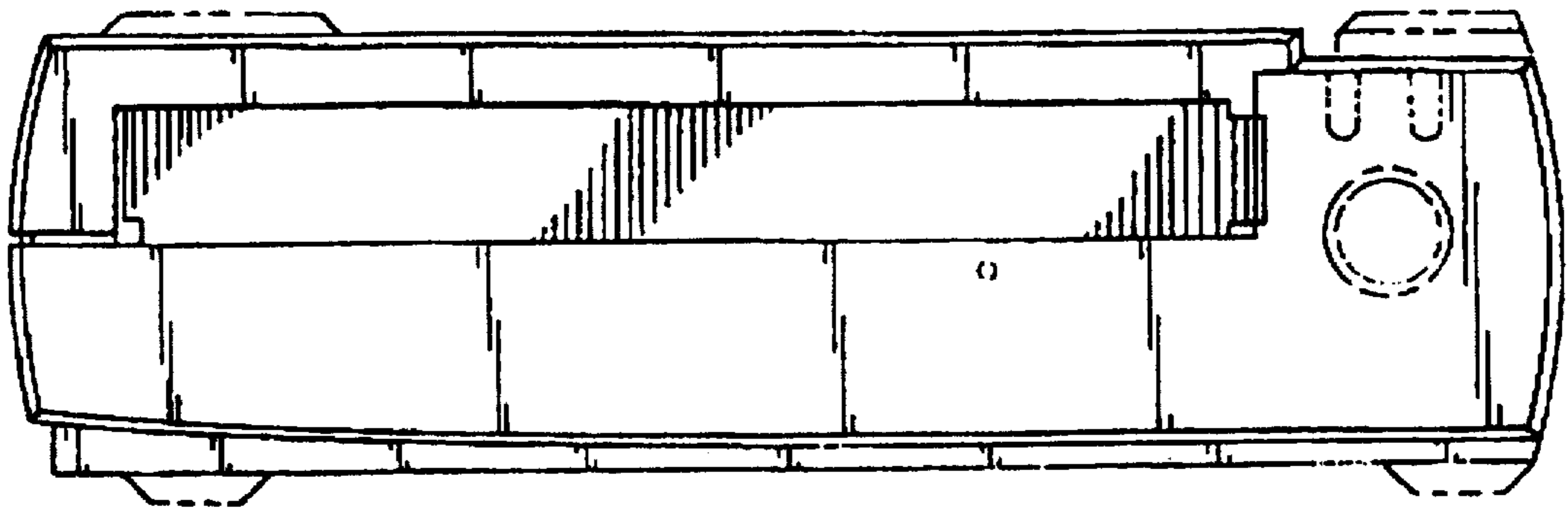


FIG. 3

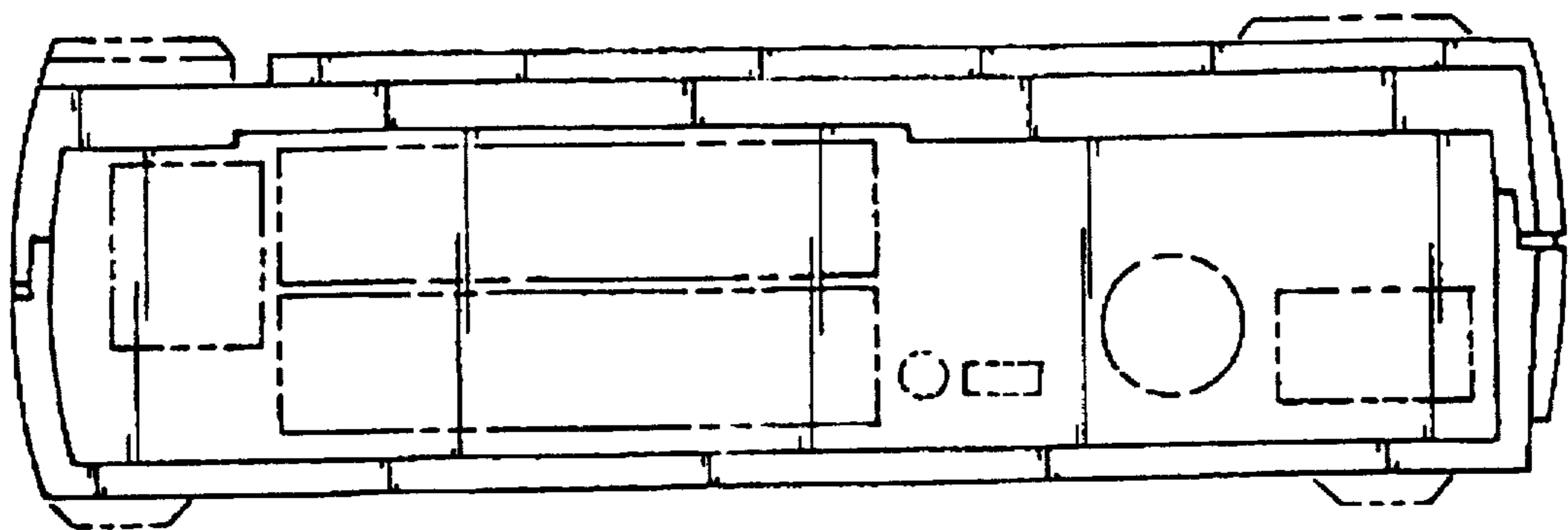


FIG. 4

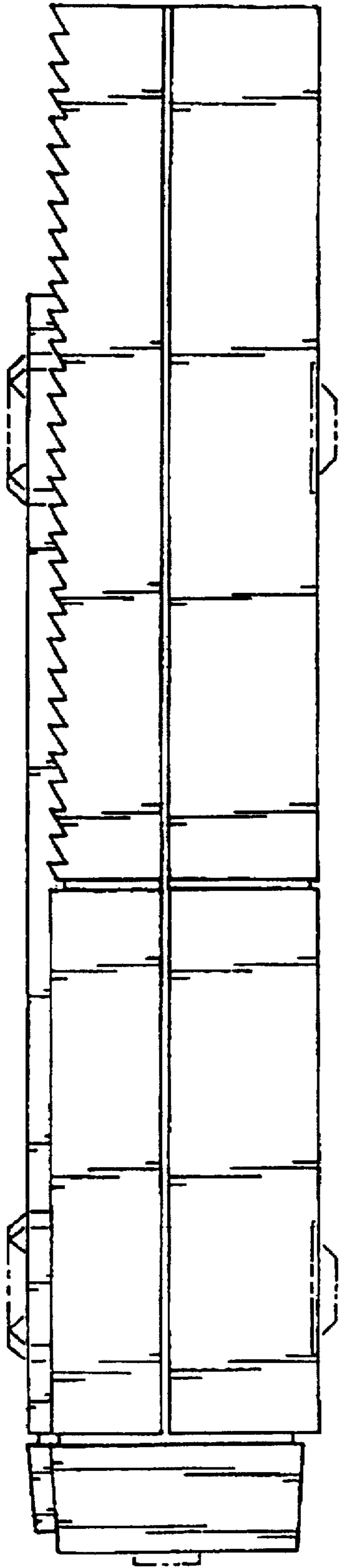


FIG. 5

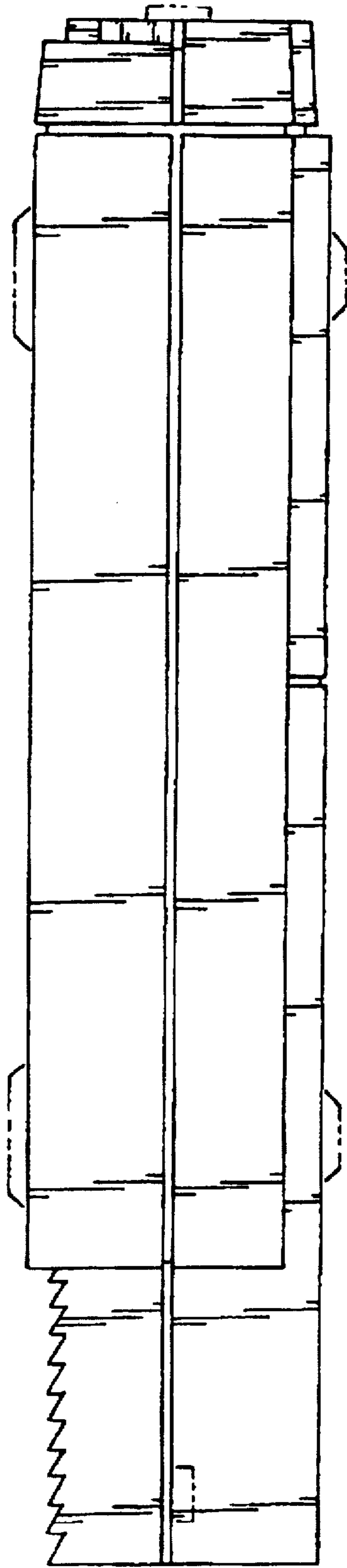


FIG. 6

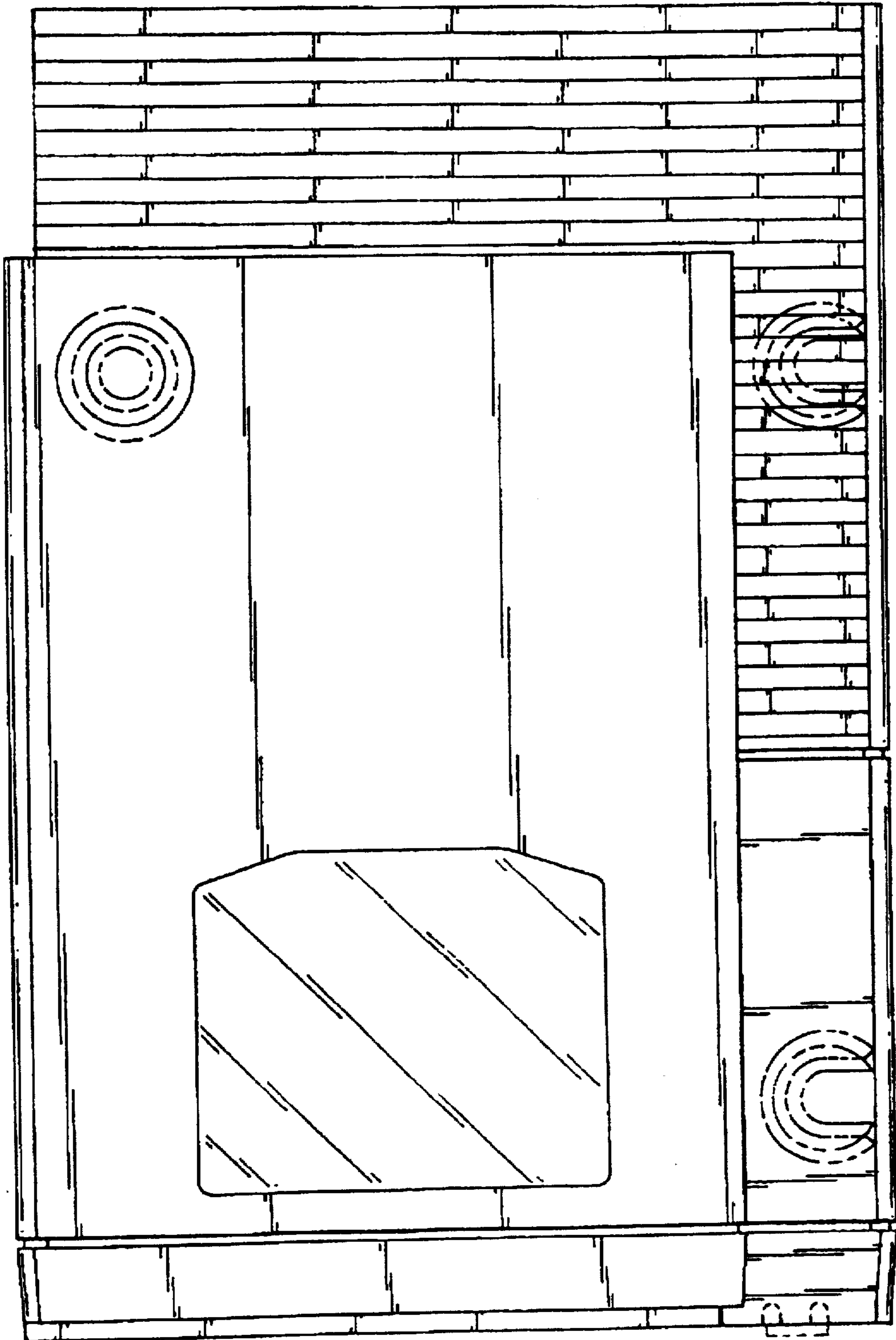


FIG. 7

