



US00D389808S

United States Patent [19]

[11] Patent Number: **Des. 389,808**

Yamada et al.

[45] Date of Patent: ****Jan. 27, 1998**

[54] HYBRID INTEGRATED CIRCUIT FOR ELECTRIC POWER CONTROL

FOREIGN PATENT DOCUMENTS

92/03031 2/1992 WIPO D13/110

[75] Inventors: **Toshifusa Yamada; Shin Soyano**, both of Kanagawa, Japan

OTHER PUBLICATIONS

POWEREX power control brochure, p. 208 of EDN Jan. 23, 1992.

[73] Assignee: **Fuji Electric Co., Ltd.**, Kanagawa, Japan

Primary Examiner—Jeffrey Asch
Assistant Examiner—Cathron B. Matta
Attorney, Agent, or Firm—Sughrue, Mion, Zinn, Macpeak & Seas, PLLC

[**] Term: **14 Years**

[21] Appl. No.: **56,800**

[57] CLAIM

[22] Filed: **Jul. 9, 1996**

The ornamental design for a hybrid integrated circuit for electric power control, as shown and described.

[30] Foreign Application Priority Data

DESCRIPTION

Jan. 9, 1996 [JP] Japan 8-259

FIG. 1 is a perspective view of the front, bottom and right side of a hybrid integrated circuit for electric power control showing our new design;

[51] LOC (6) Cl. **13-03**

[52] U.S. Cl. **D13/182**

[58] Field of Search D13/182; 174/52.2-52.4; 257/678, 680, 681, 692-697, 700, 723, 724; 361/785

FIG. 2 is a top plan view thereof;

FIG. 3 is a front elevational view thereof;

FIG. 4 is a bottom plan view thereof;

FIG. 5 is a rear elevational view thereof; and,

FIG. 6 is a left side elevational view thereof, the right side being a mirror image thereof.

[56] References Cited

U.S. PATENT DOCUMENTS

D. 357,672 4/1995 Terasawa et al. .
D. 359,028 6/1995 Siegel et al. D13/182
D. 360,619 7/1995 Terasawa et al. D13/182
5,347,160 9/1994 Sutrina 257/698

1 Claim, 3 Drawing Sheets

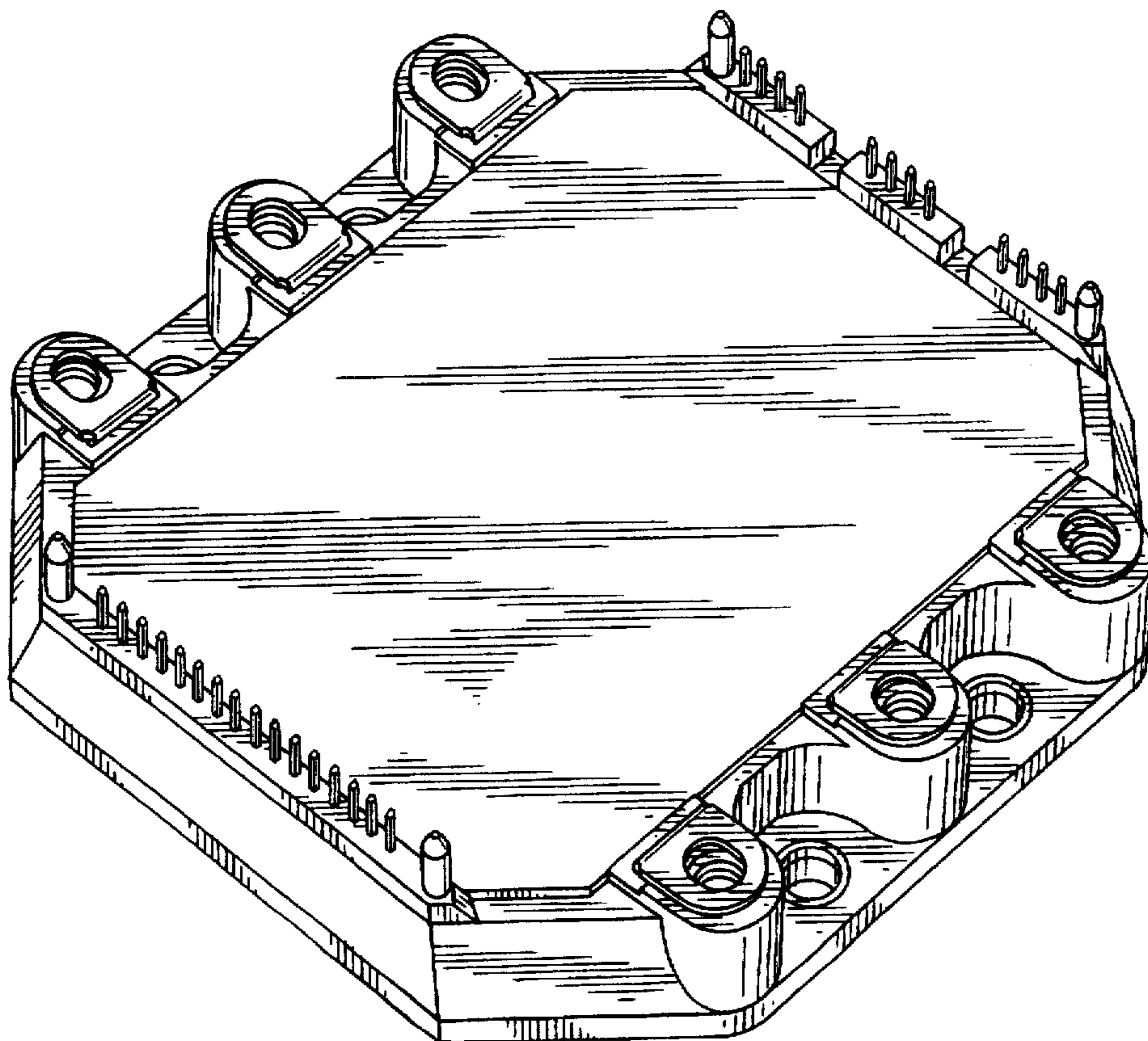


FIG. 1

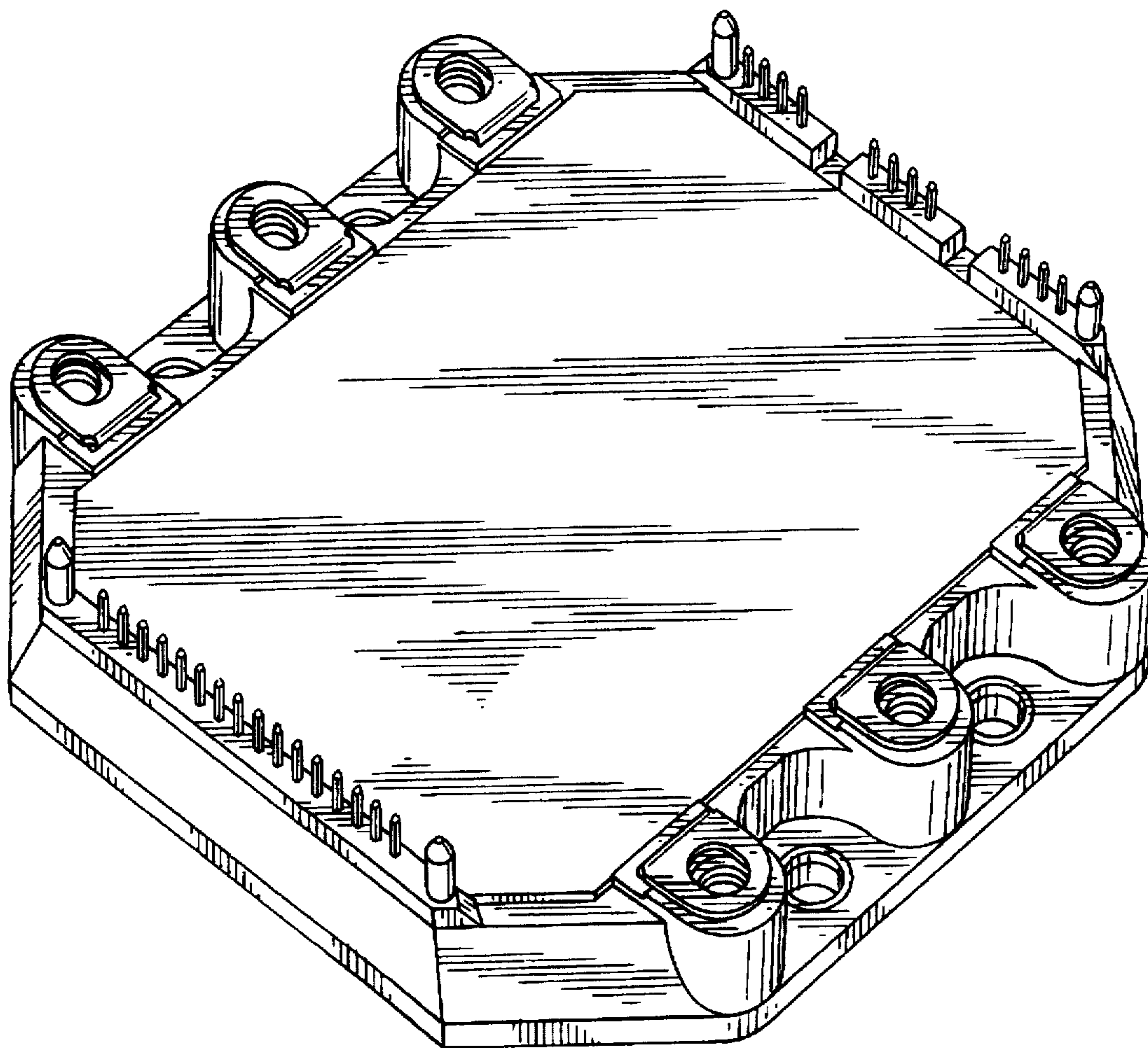


FIG. 2

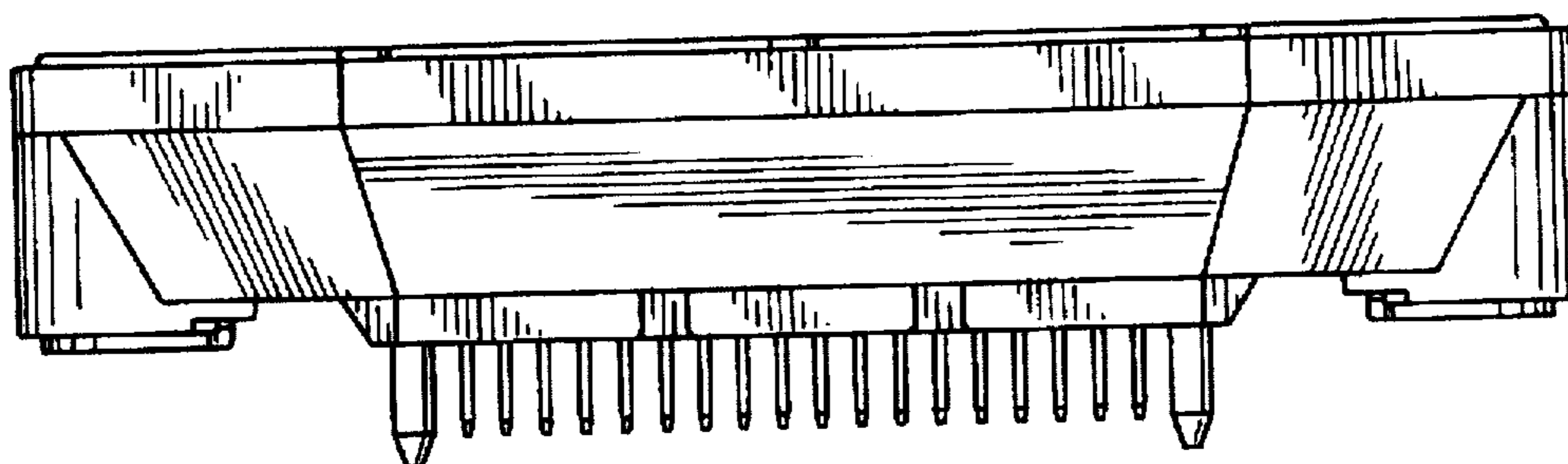


FIG. 3

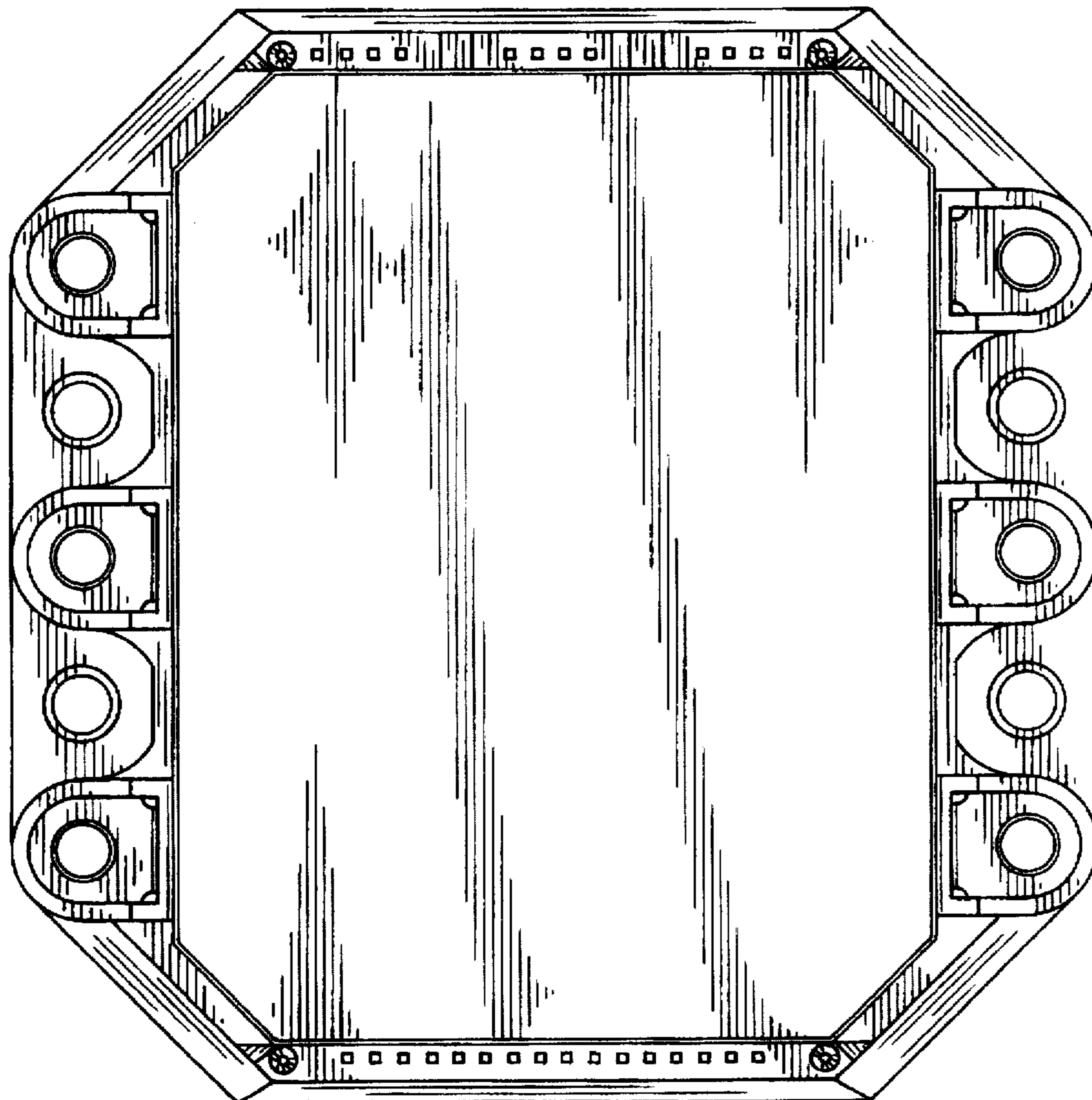


FIG. 4

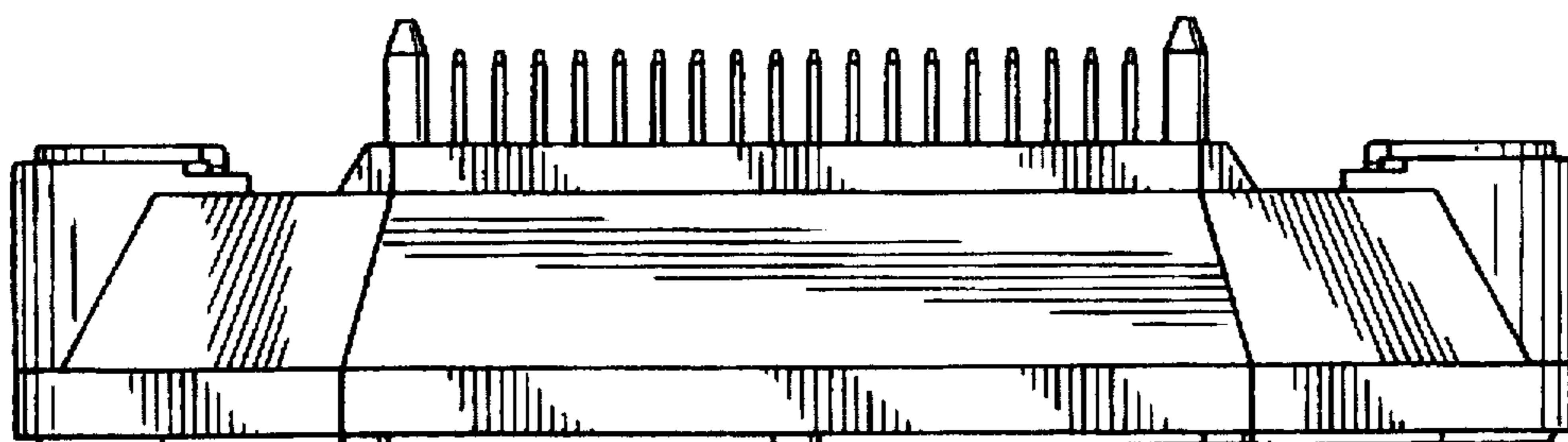


FIG. 6

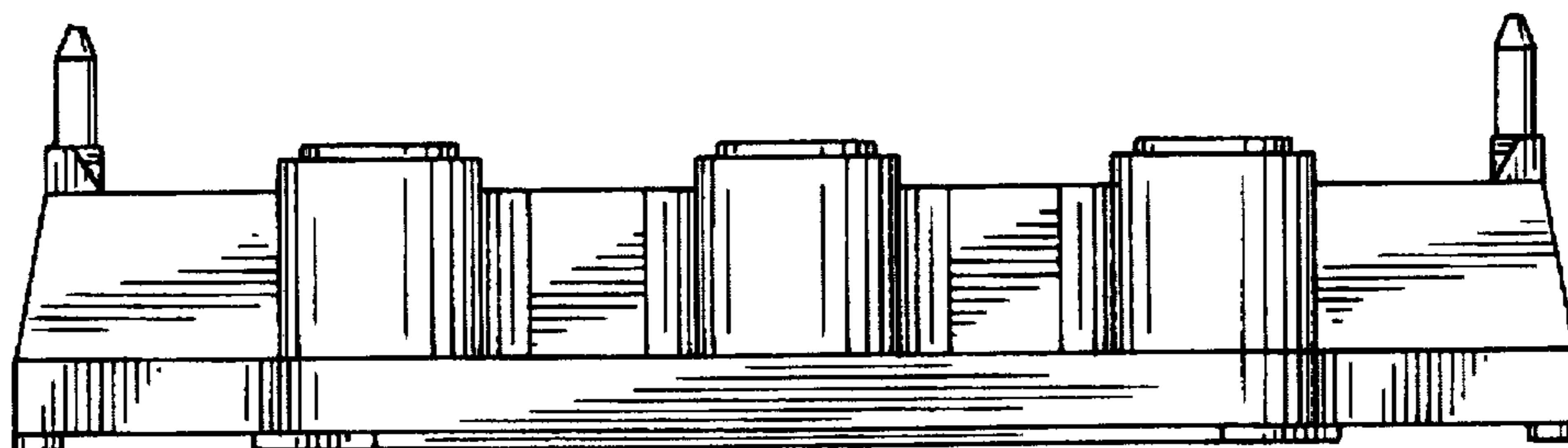


FIG. 5

