



US00D389807S

United States Patent [19]
Dodson

[11] **Patent Number: Des. 389,807**
[45] **Date of Patent: ***Jan. 27, 1998**

[54] **COOLING DEVICE**

[76] **Inventor: Douglas A. Dodson, 5995 Avenida Encinas, Carlsbad, Calif. 92008**

[*] **Notice:** The portion of the term of this patent subsequent to Nov. 19, 2010, has been disclaimed.

[**] **Term: 14 Years**

[21] **Appl. No.: 64,341**

[22] **Filed: Dec. 30, 1996**

[51] **LOC (6) Cl. 13-03**

[52] **U.S. Cl. D13/179**

[58] **Field of Search** D13/179; 174/15.1, 174/16.3; 165/80.3, 185; 257/713, 718, 719, 722, 732, 796; 361/690, 697, 702, 709, 710, 711, 514

[56] **References Cited**

U.S. PATENT DOCUMENTS

D. 357,670 4/1995 Dodson D13/179

D. 375,725 11/1996 Dodson D13/179
D. 378,815 4/1997 Dodson D13/179
5,486,980 1/1996 Jordan et al. 361/697
5,609,202 3/1997 Anderson et al. 165/80.3

Primary Examiner—James Gandy
Assistant Examiner—Cathron B. Matta
Attorney, Agent, or Firm—Calif Tervo

[57] **CLAIM**

The ornamental design for a cooling device, as shown and described.

DESCRIPTION

FIG. 1 is a perspective view of the top of a cooling device showing my new design;
FIG. 2 is a top plan view thereof;
FIG. 3 is a front elevational view thereof, the rear view being a mirror image;
FIG. 4 is a left side elevational view thereof, the right side elevational view being a mirror image; and,
FIG. 5 is a bottom plan view thereof.

1 Claim, 1 Drawing Sheet

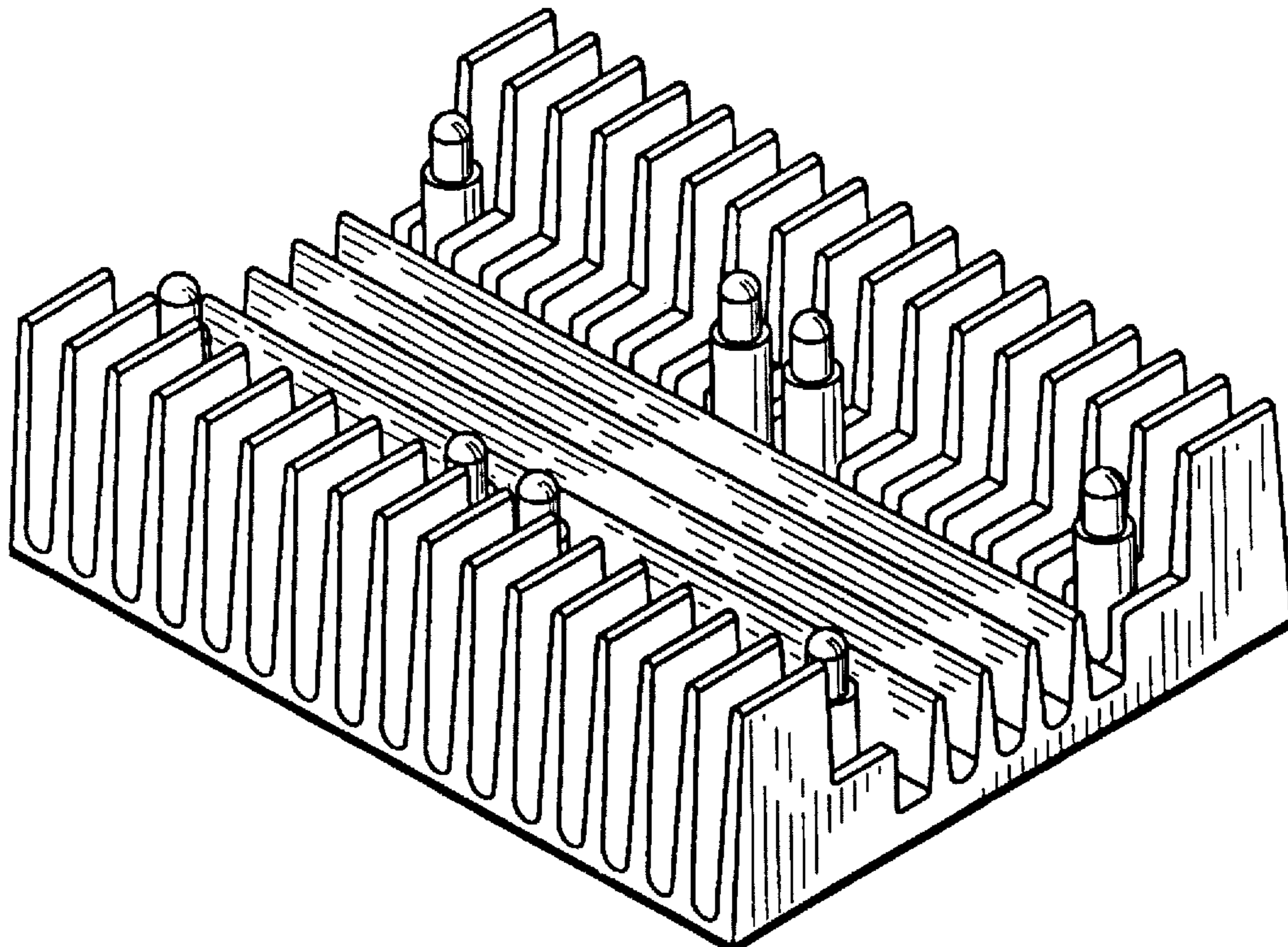


FIG. 1

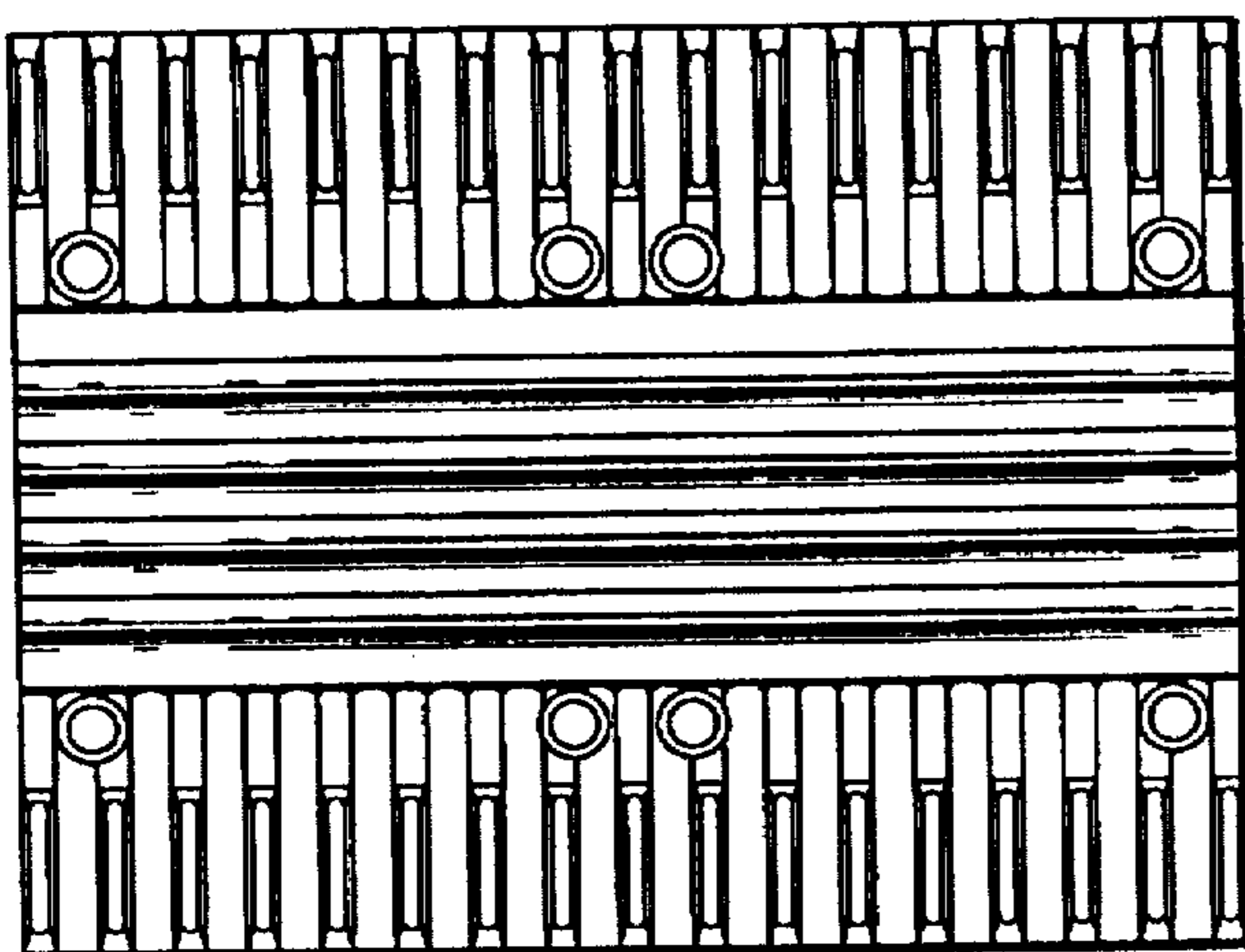
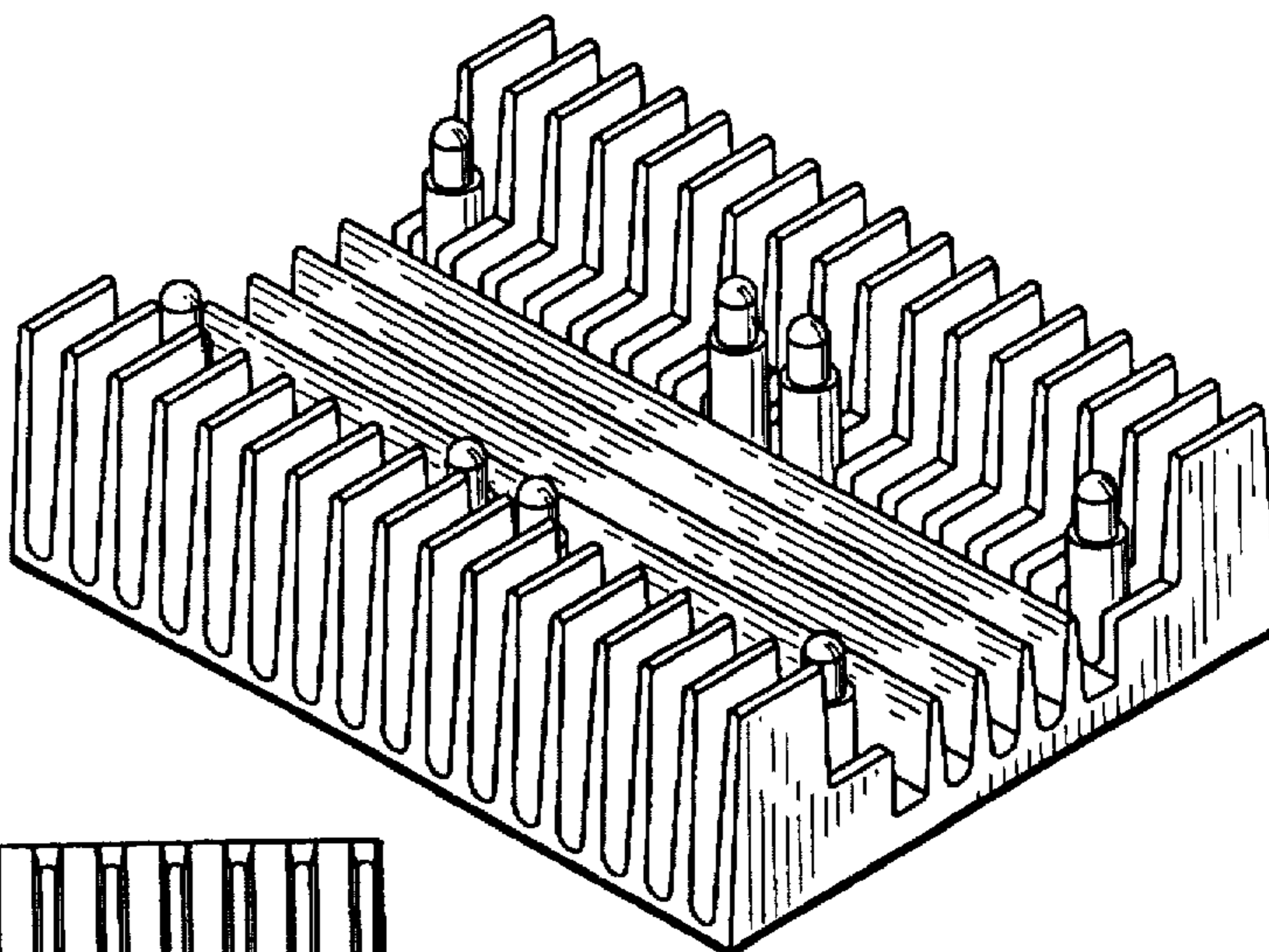


FIG. 2

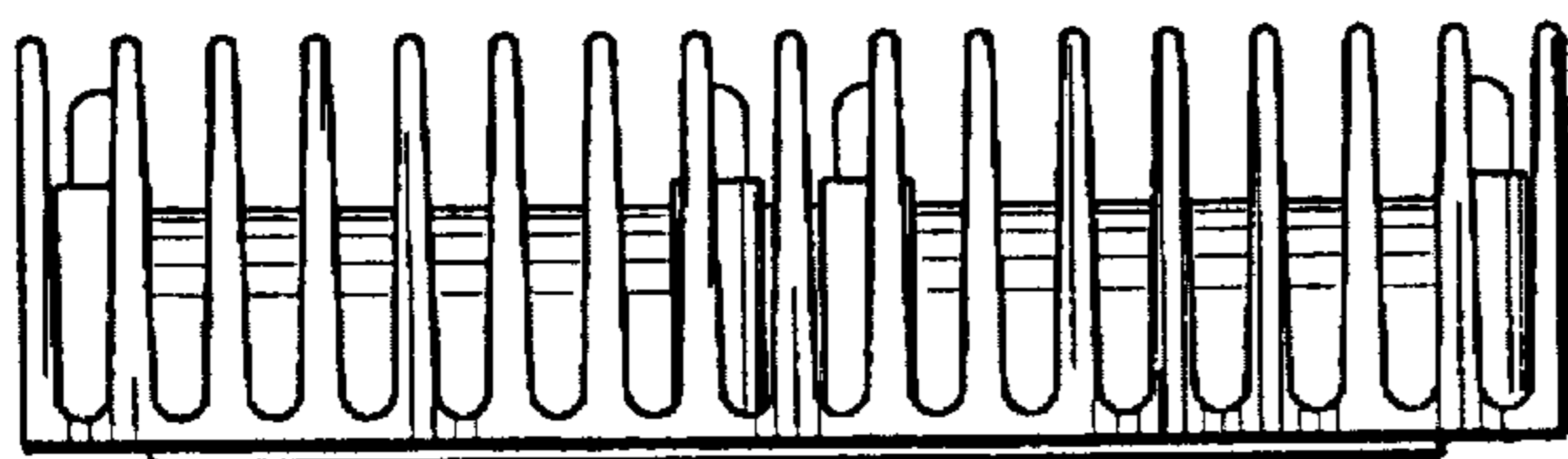


FIG. 4

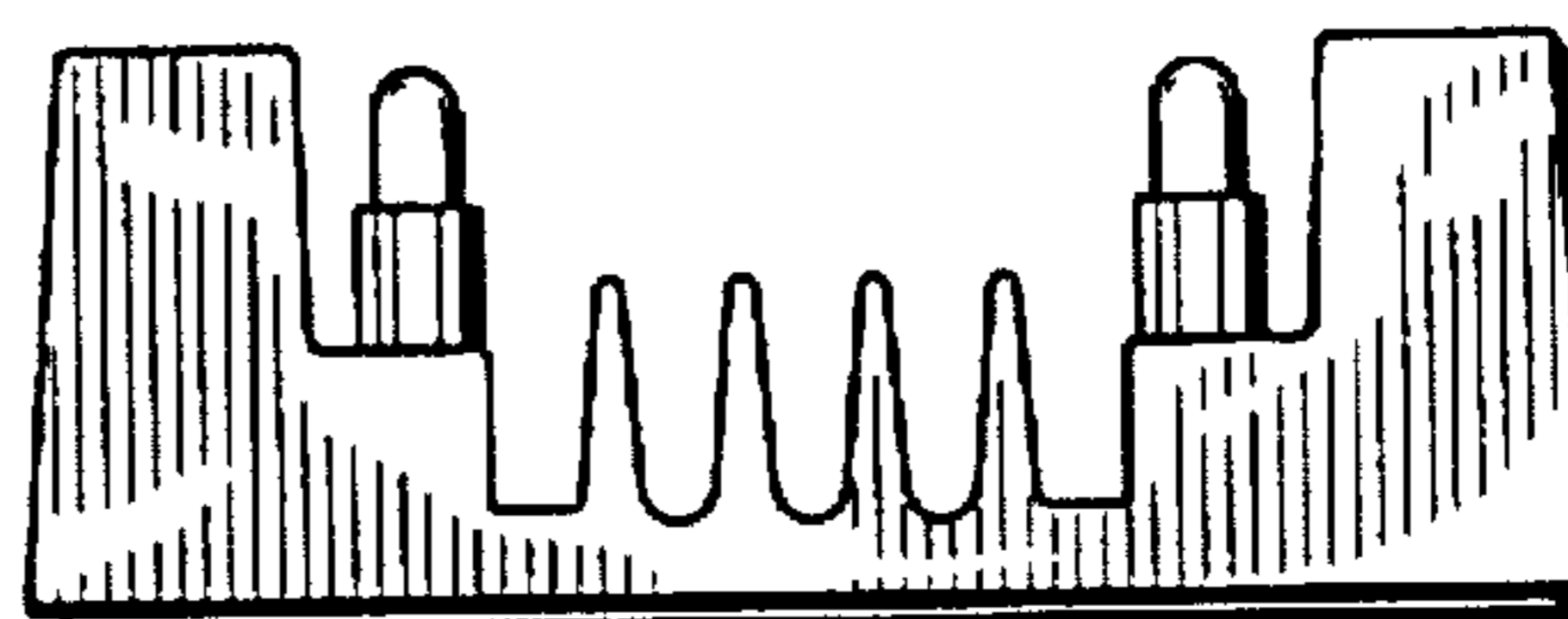


FIG. 3

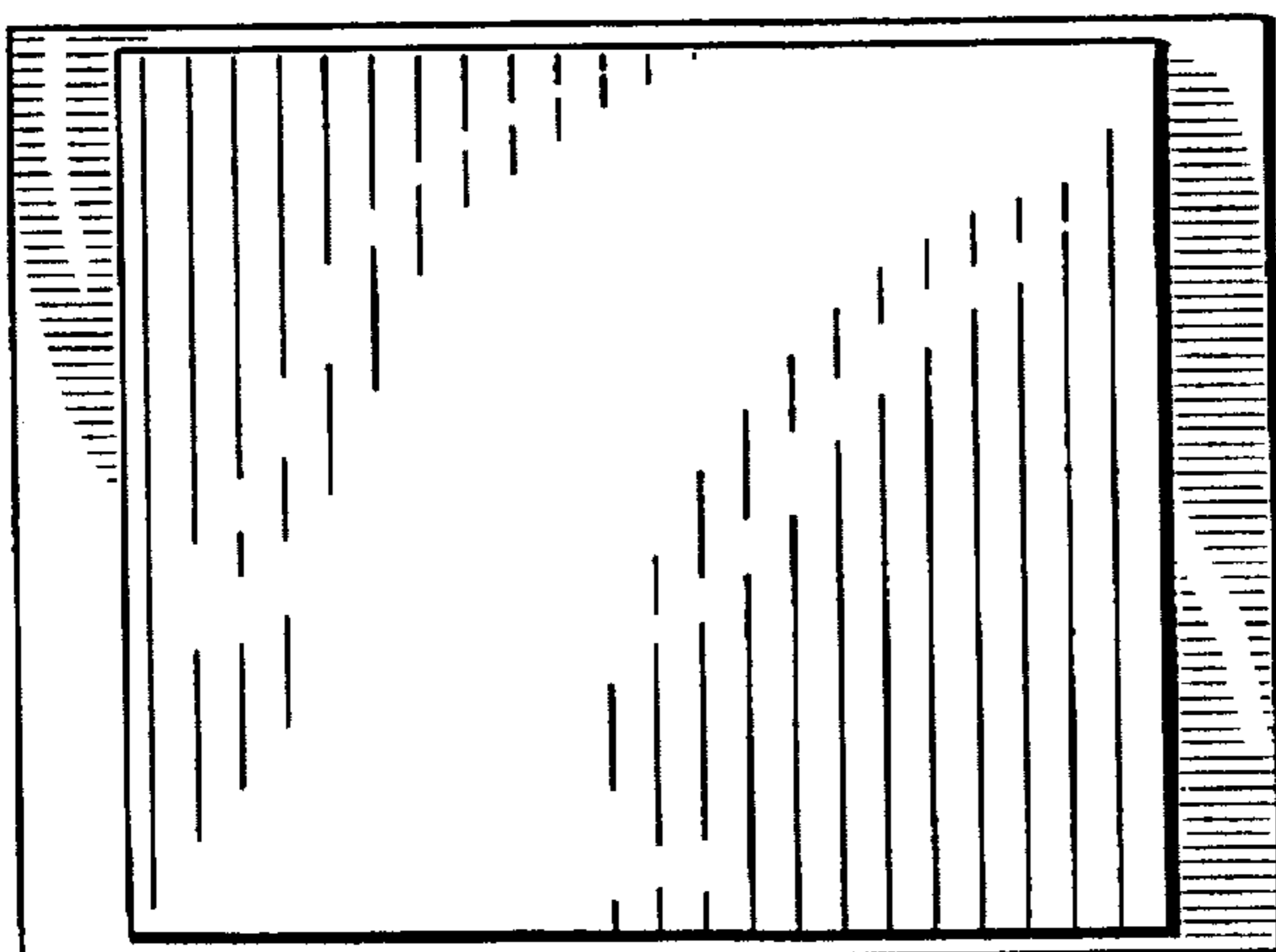


FIG. 5