



US00D389803S

United States Patent [19]

Nishio et al.

[11] Patent Number: **Des. 389,803**

[45] Date of Patent: ****Jan. 27, 1998**

[54] **ELECTRIC CONNECTOR**

[75] Inventors: **Atsushi Nishio; Masaru Onuki**, both of Ibaraki, Japan

[73] Assignee: **Mitsumi Electric Co., Ltd.**, Tokyo, Japan

[**] Term: **14 Years**

[21] Appl. No.: **59,937**

[22] Filed: **Sep. 18, 1996**

[30] **Foreign Application Priority Data**

Apr. 2, 1996 [JP] Japan 8-9394

[51] **LOC (6) Cl.** **13-02**

[52] **U.S. Cl.** **D13/147**

[58] **Field of Search** D13/133, 146, D13/147; 439/101, 108, 607-610, 638, 660-662, 668, 669, 671, 673, 674

[56] **References Cited**

U.S. PATENT DOCUMENTS

D. 297,530 9/1988 Cooper D13/147

D. 317,291 6/1991 Esslinger D13/133
5,108,294 4/1992 Marsh et al. 439/607 X

FOREIGN PATENT DOCUMENTS

845340 8/1992 Japan .
946896 2/1996 Japan .

Primary Examiner—Alan P. Douglas
Assistant Examiner—Lavone D. Tabor
Attorney, Agent, or Firm—Bardehle, Pagenberg, Dost, Altenburg, Frohwitter, Geissler

[57] **CLAIM**

The ornamental design for an electric connector, as shown and described.

DESCRIPTION

FIG. 1 is a top plan view of electric connector showing our new design;
FIG. 2 is a bottom plan view thereof;
FIG. 3 is a left side view thereof;
FIG. 4 is a right side view thereof;
FIG. 5 is a front view thereof;
FIG. 6 is a rear view thereof; and,
FIG. 7 shows a perspective view thereof.

1 Claim, 7 Drawing Sheets

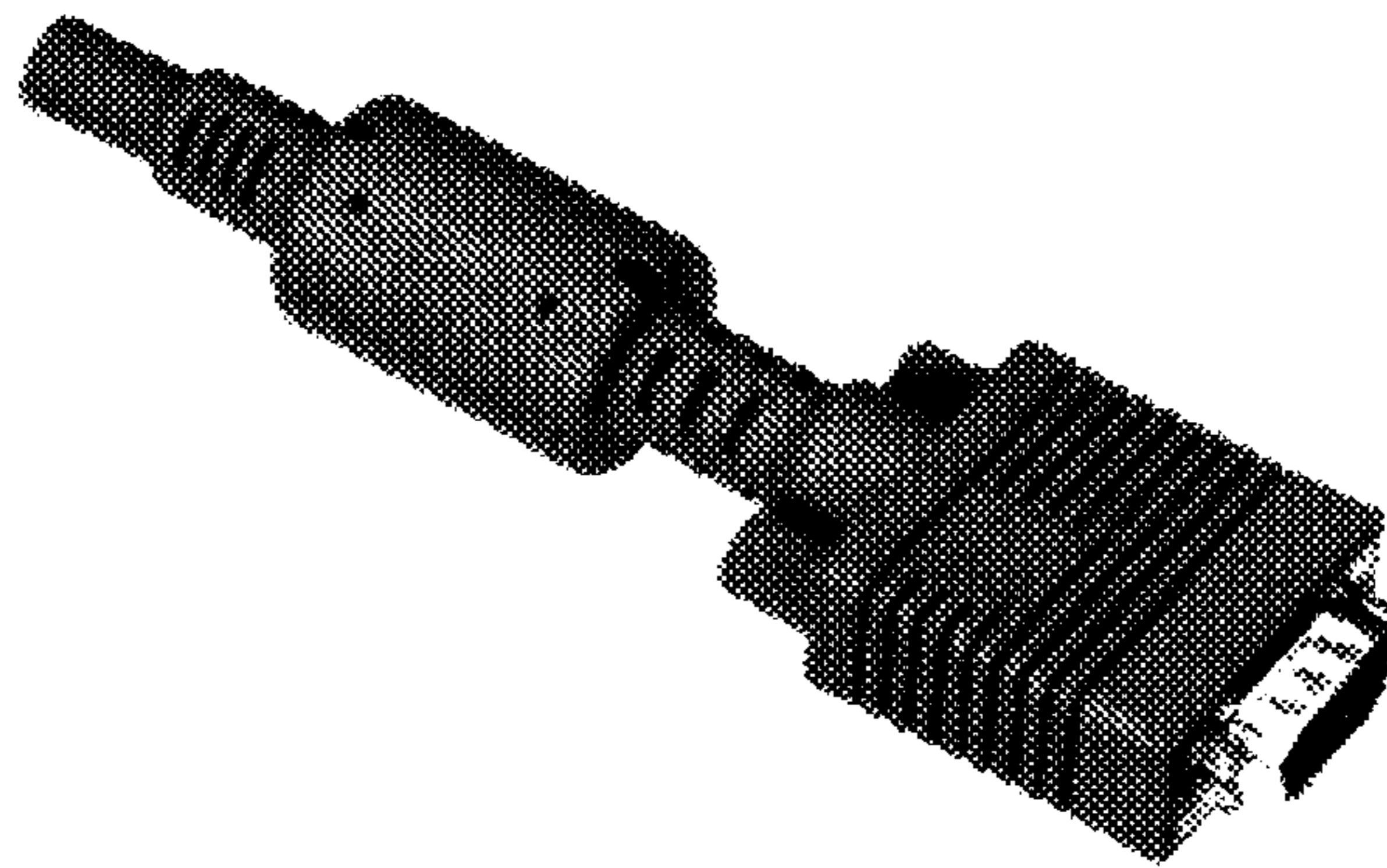


Figure 1

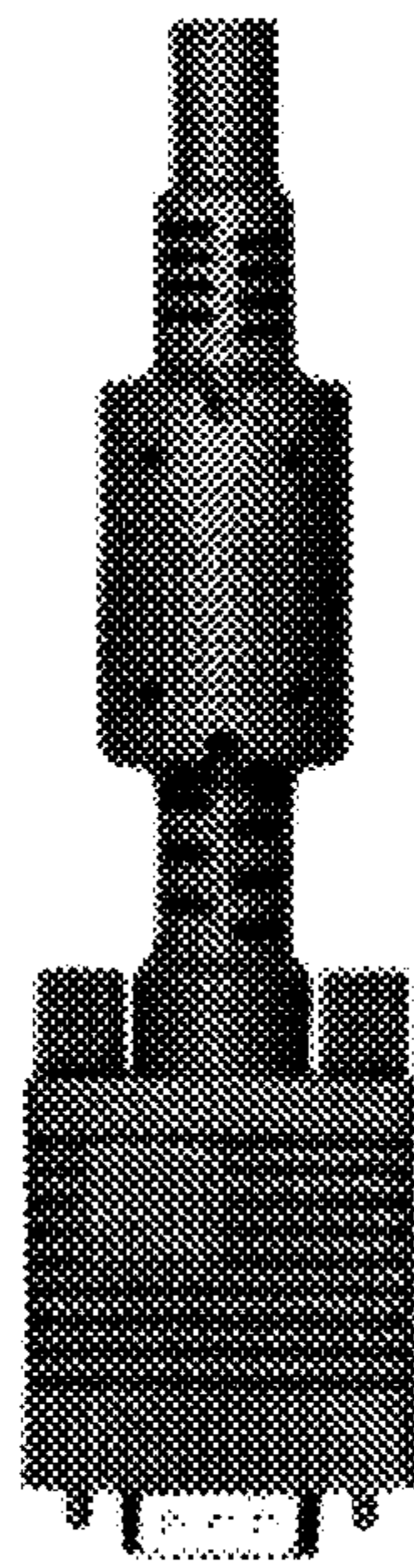


Figure 2

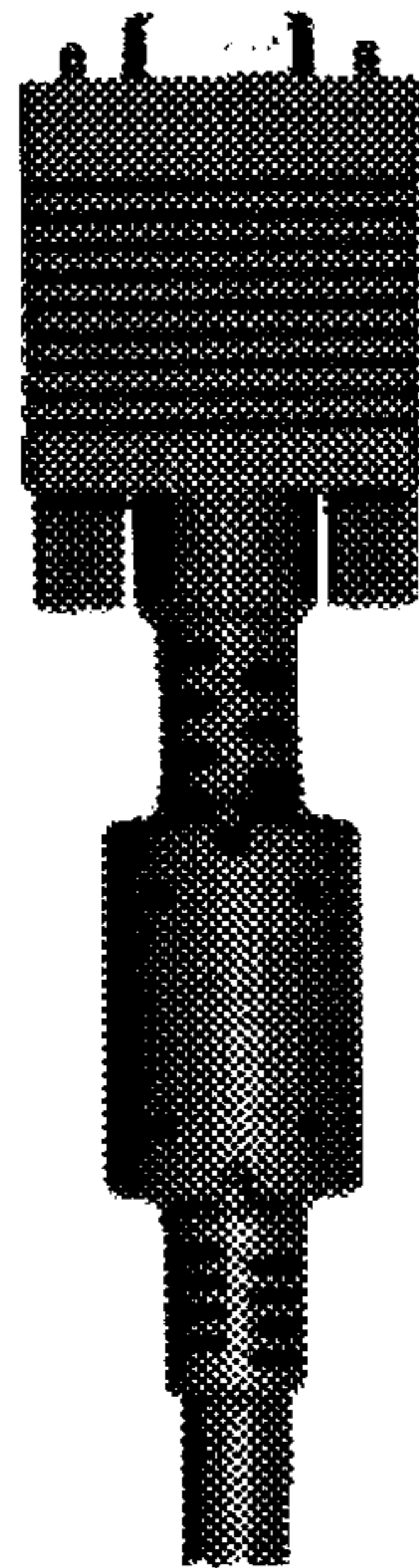


Figure 3



Figure 4



Figure 5



Figure 6



Figure 7

