

US00D389801S

**United States Patent** [19]  
**Foye**

[11] **Patent Number: Des. 389,801**  
[45] **Date of Patent: \*\*Jan. 27, 1998**

[54] **SURFACE MOUNT MODULAR**  
[75] **Inventor: Richard T. Foye, Fullerton, Calif.**  
[73] **Assignee: Multiplex Technology, Inc., Brea, Calif.**  
[\*\*] **Term: 14 Years**  
[21] **Appl. No.: 52,882**  
[22] **Filed: Apr. 10, 1996**  
[51] **LOC (6) Cl. .... 13-03**  
[52] **U.S. Cl. .... D13/147**  
[58] **Field of Search .... D13/133, 146, D13/147, 151; D14/256; 385/53-56, 75-78, 135-137, 139; 439/535, 536, 538, 540.1, 578, 580, 668**

4,976,510 12/1990 Davila et al. .... 385/135  
5,007,860 4/1991 Robinson et al. .... 439/540.1  
5,179,618 1/1993 Anton ..... 385/136  
5,233,501 8/1993 Allen et al. .... 439/668 X

*Primary Examiner*—Alan P. Douglas  
*Assistant Examiner*—Lavone D. Tabor  
*Attorney, Agent, or Firm*—Lynn & Lynn

[57] **CLAIM**

The ornamental design for a surface mount modulator, as shown and described.

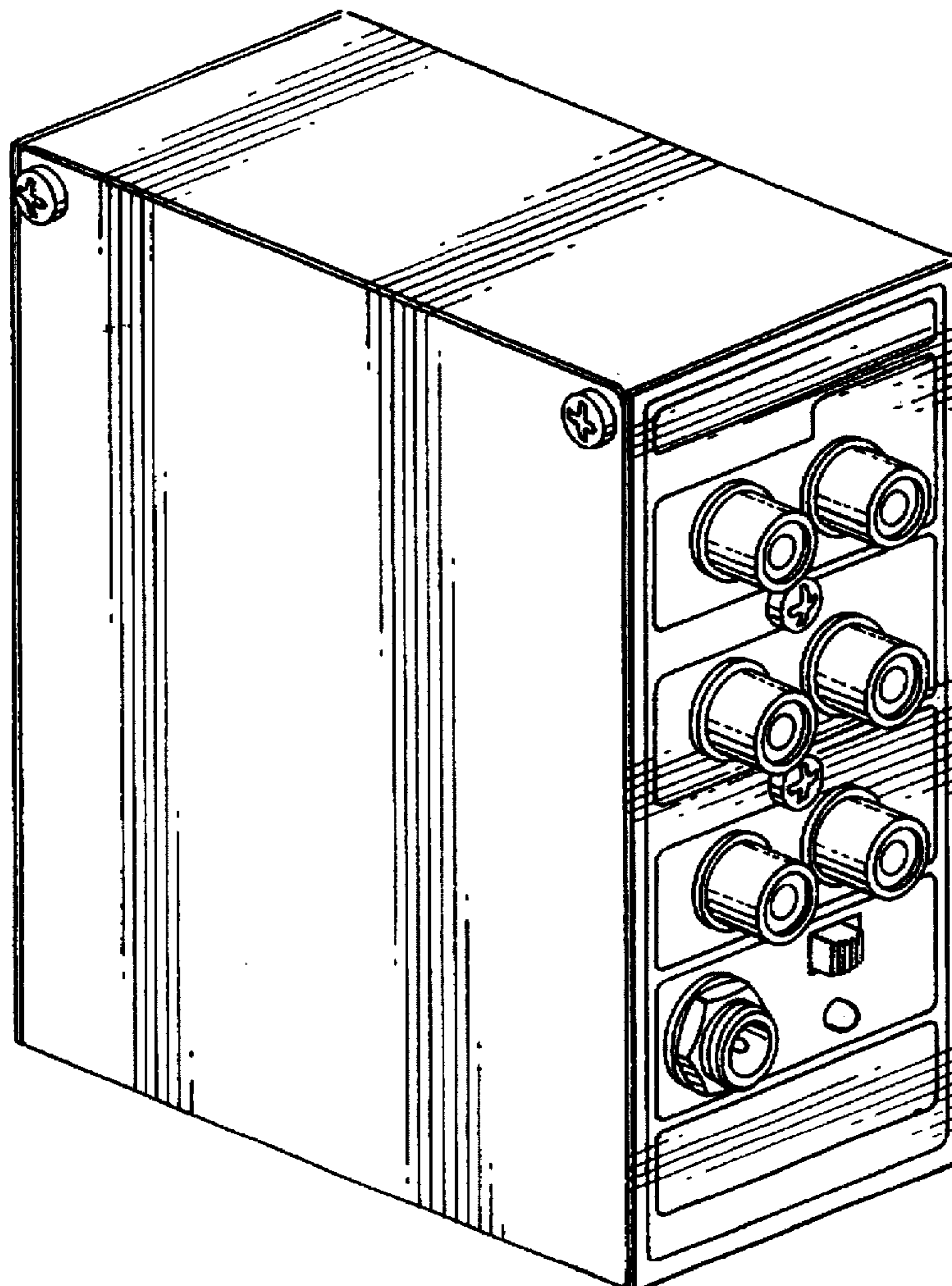
**DESCRIPTION**

FIG. 1 is a perspective view of my new design taken from the upper left front thereof;  
FIG. 2 is a front elevation view showing my new design;  
FIG. 3 is a left side elevation view thereof;  
FIG. 4 is a top plan view thereof;  
FIG. 5 is a bottom plan view thereof;  
FIG. 6 is a right side elevation view thereof; and  
FIG. 7 is a rear elevation view thereof.

[56] **References Cited**  
**U.S. PATENT DOCUMENTS**

4,887,979 12/1989 Javobs ..... 439/578

**1 Claim, 2 Drawing Sheets**



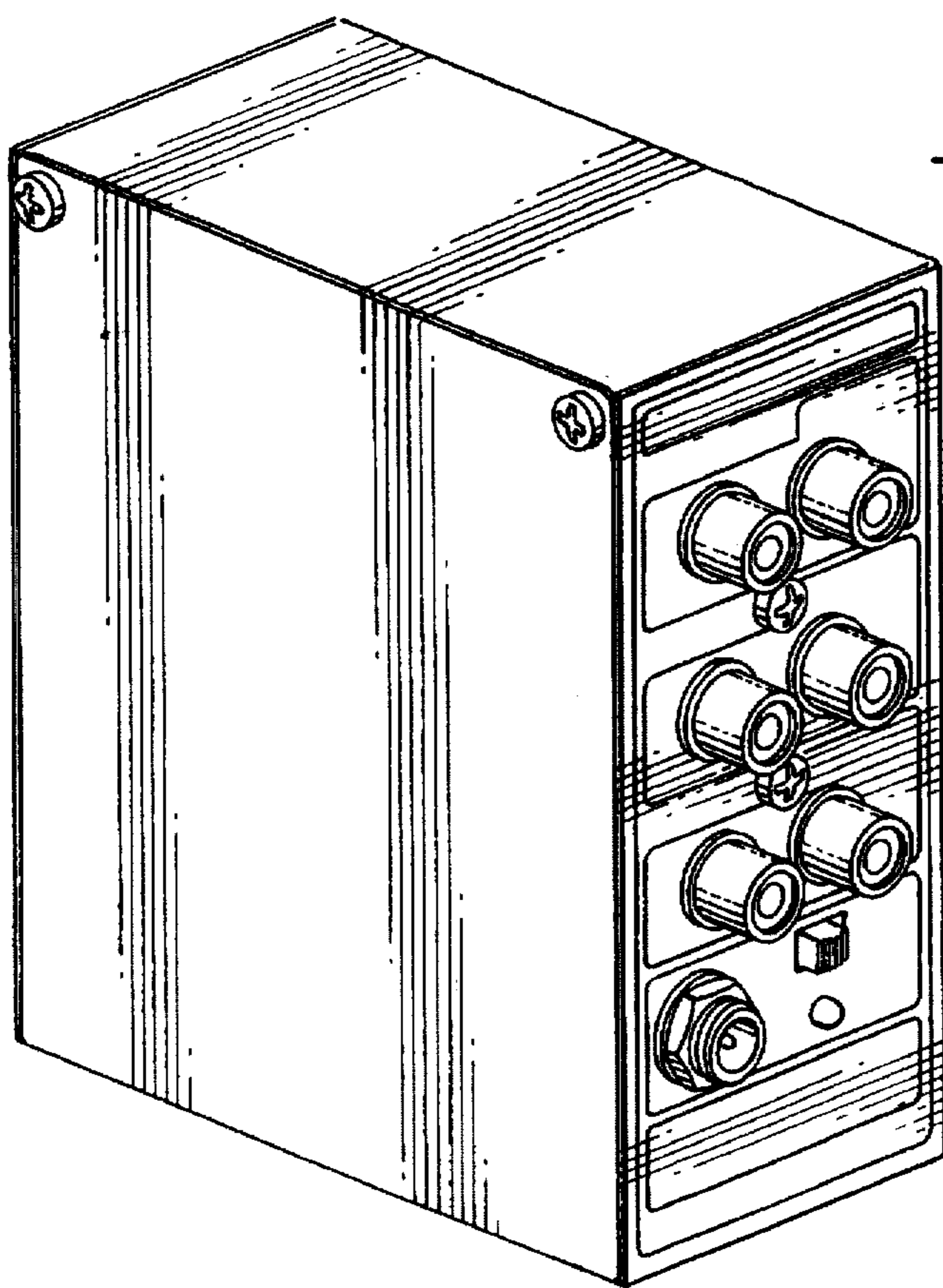


FIG. 1.

FIG. 3.

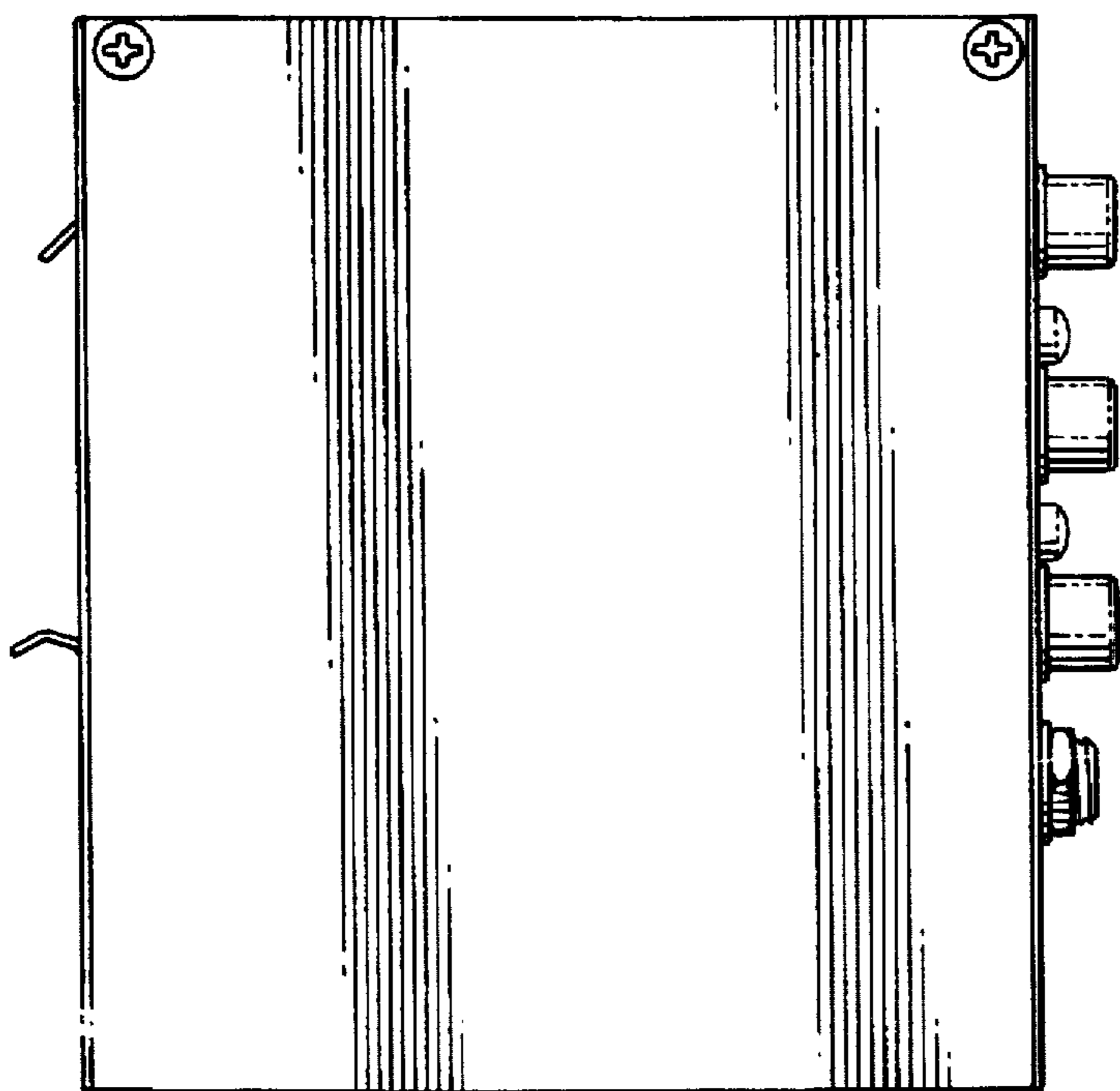
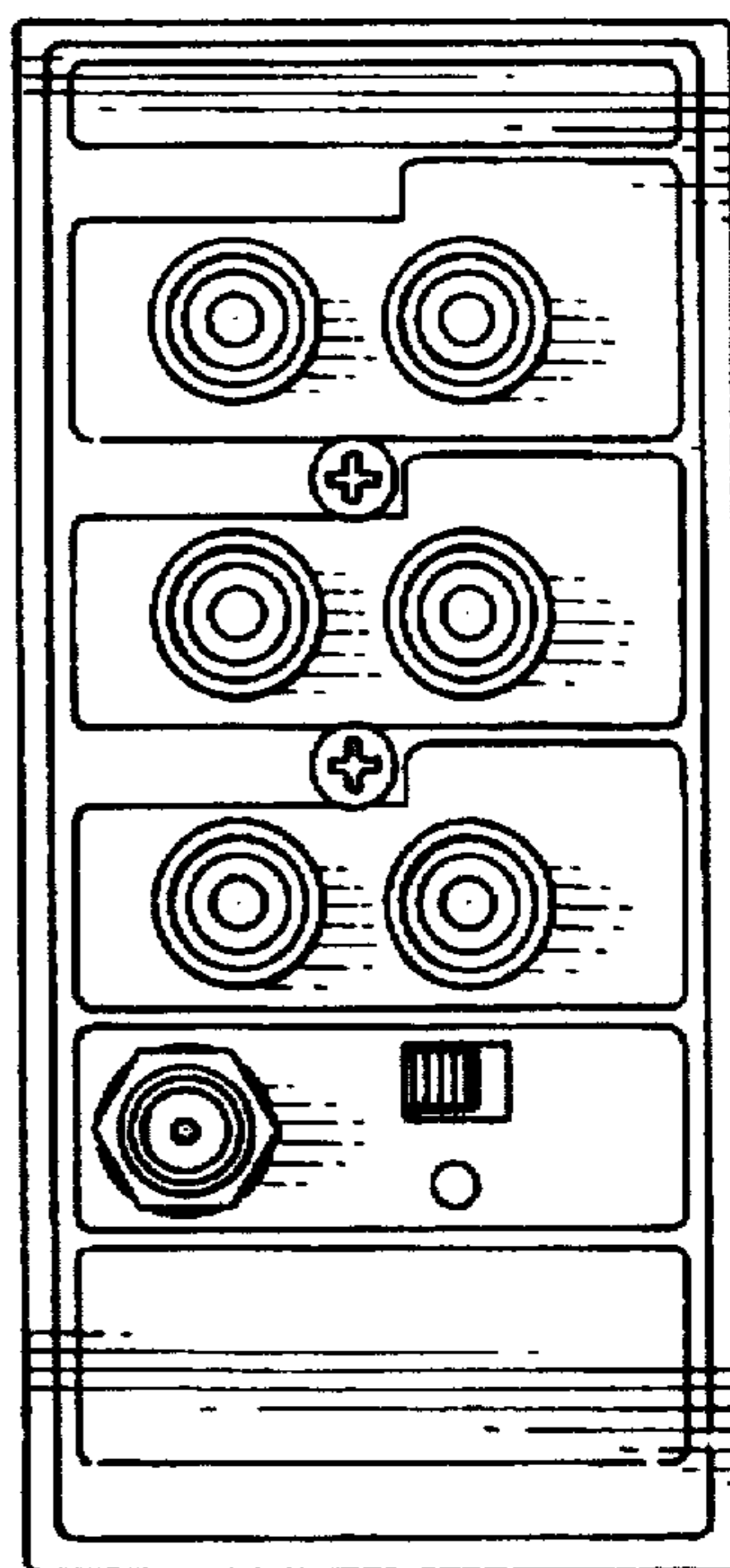
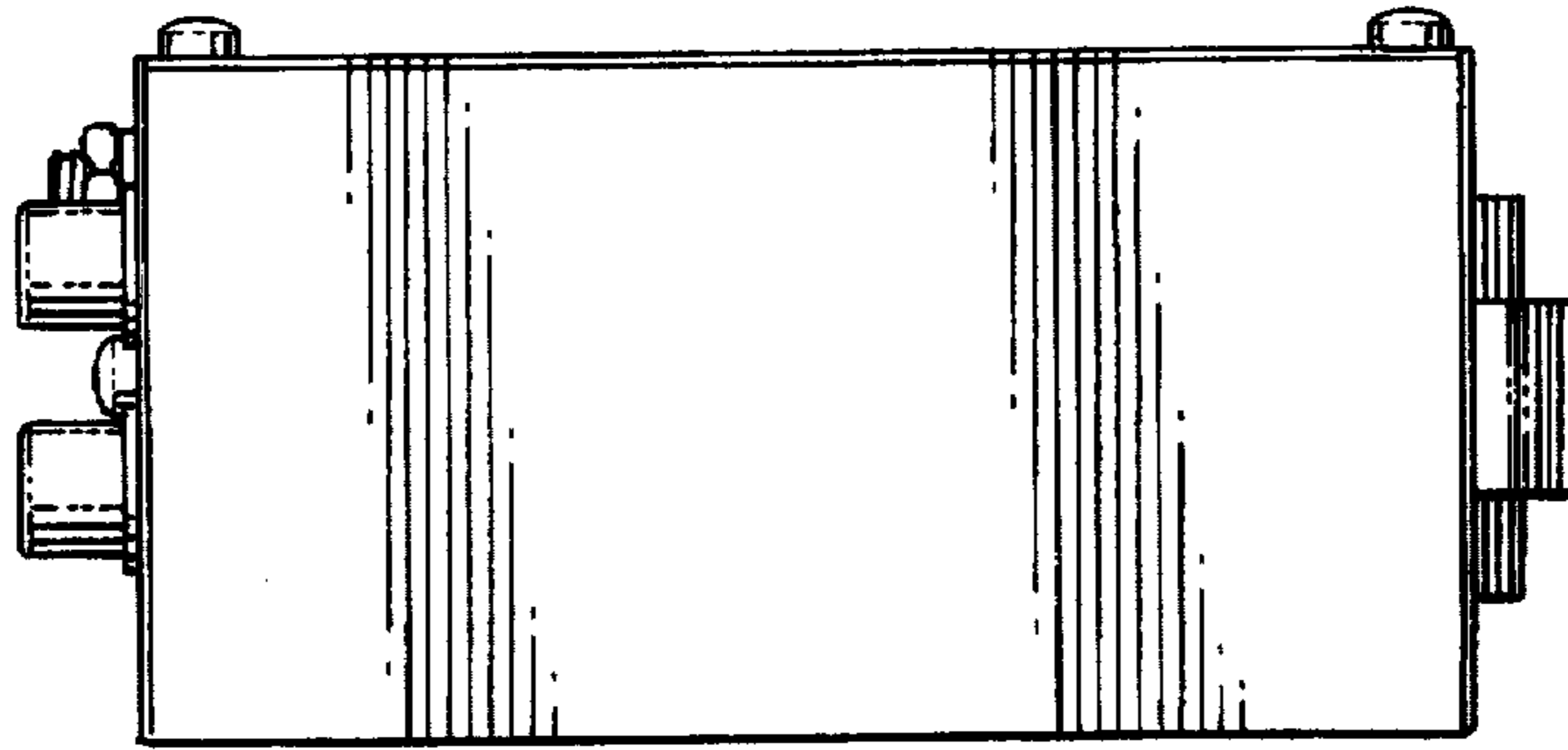


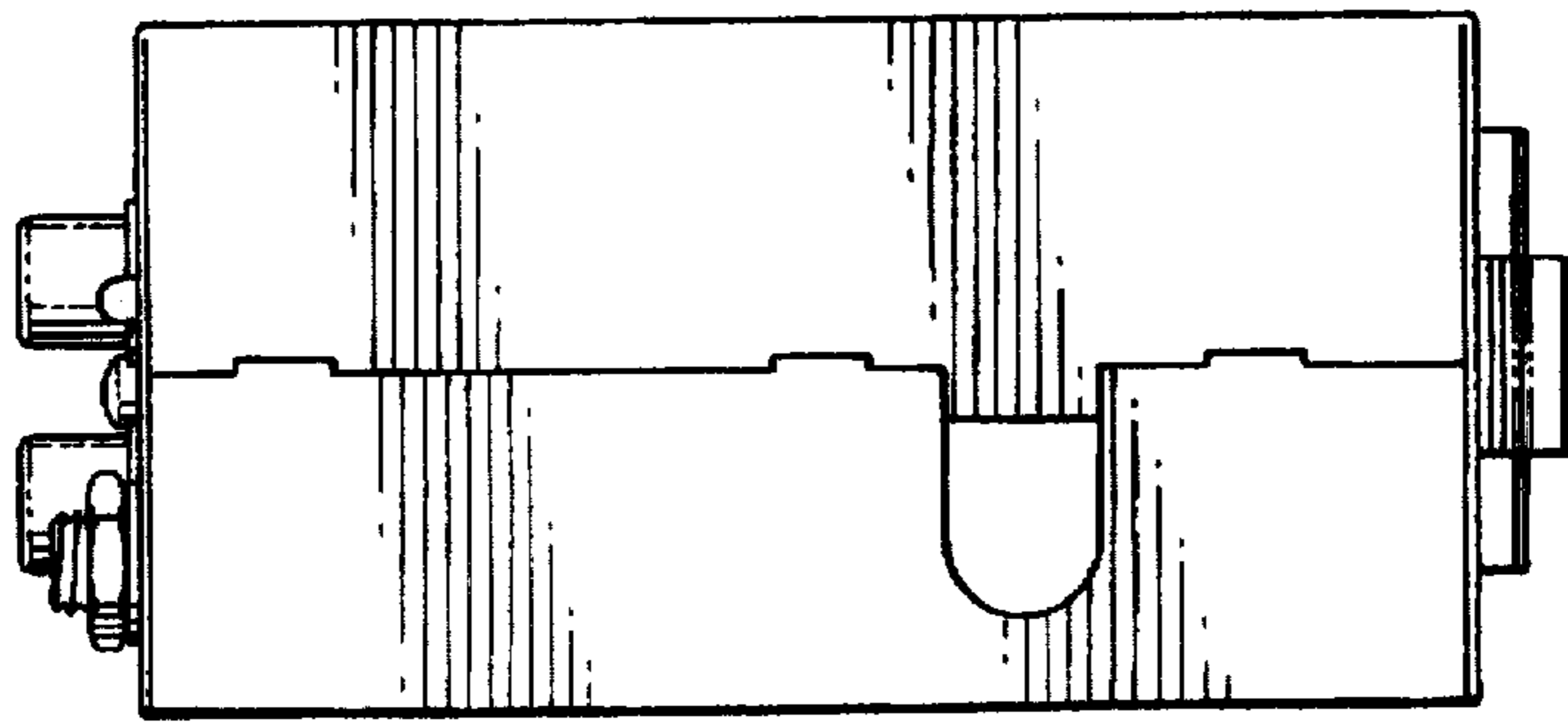
FIG. 2.



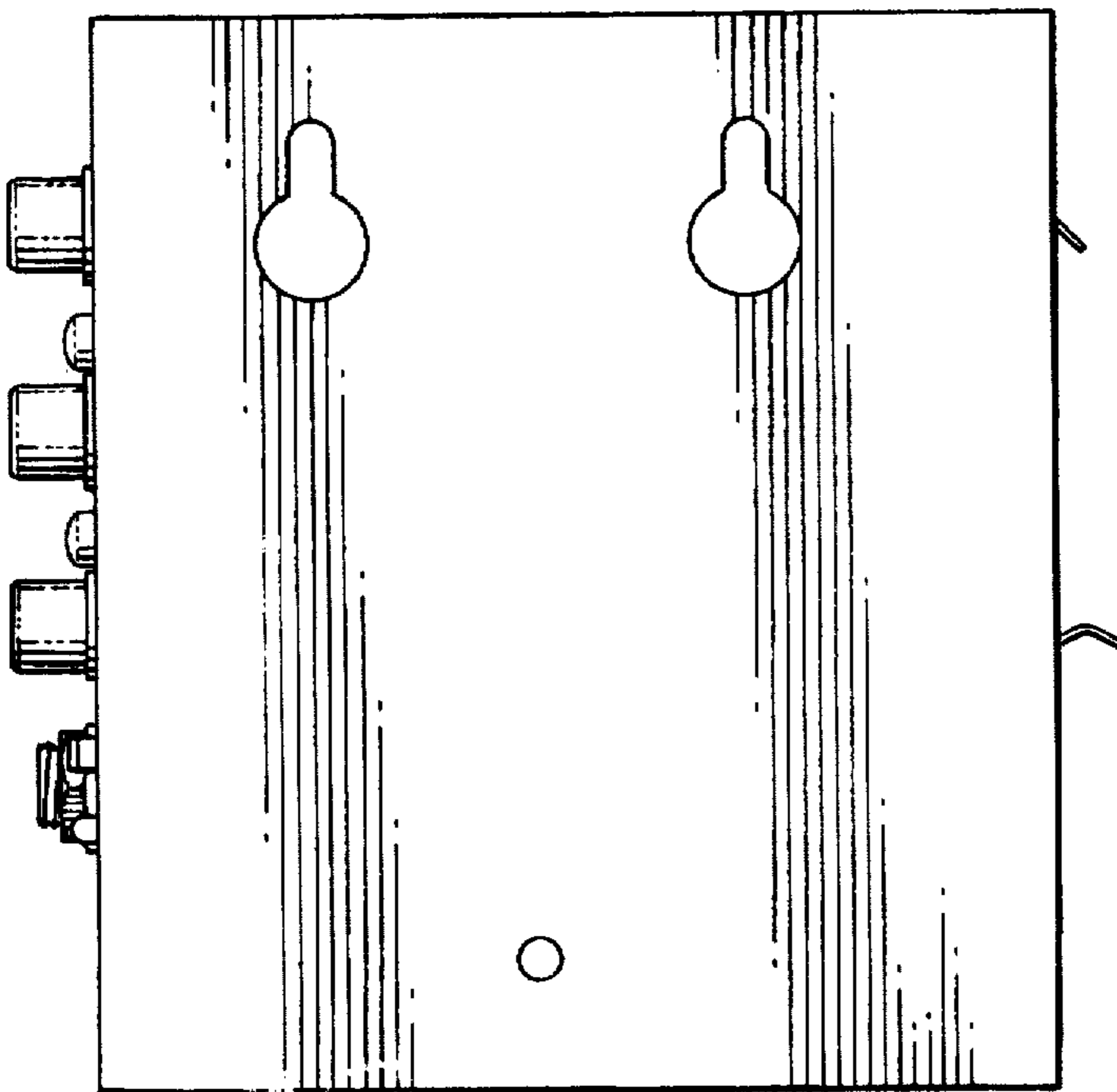
*FIG. 4.*



*FIG. 5.*



*FIG. 6.*



*FIG. 7.*

