



US00D389800S

United States Patent [19] Smith

[11] Patent Number: **Des. 389,800**

[45] Date of Patent: ****Jan. 27, 1998**

[54] **ENVIRONMENTALLY SEALED ELECTRICAL TERMINAL WITH HOOK-UP WIRE MANAGEMENT**

[75] Inventor: **Thomas J. Smith, Bay Shore, N.Y.**

[73] Assignee: **TII Industries, Inc., Copiague, N.Y.**

[**] Term: **14 Years**

[21] Appl. No.: **39,246**

[22] Filed: **May 25, 1995**

Related U.S. Application Data

[63] Continuation-in-part of Ser. No. 9,574, Jun. 18, 1993.

[51] **LOC (6) Cl.** **13-03**

[52] **U.S. Cl.** **D13/147**

[58] **Field of Search** **D13/133, 146, D13/147, 149, 156; D14/256; 439/248, 395, 400, 402, 404, 519, 532, 626, 650, 652, 682, 709, 724**

[56] References Cited

U.S. PATENT DOCUMENTS

| | | | | |
|------------|---------|----------------|-------|-----------|
| D. 249,503 | 9/1978 | Spencer et al. | | D13/147 |
| D. 309,893 | 8/1990 | Endo et al. | | D13/156 |
| 2,171,163 | 12/1939 | McClelland | | 439/404 |
| 3,525,972 | 8/1970 | Asick et al. | | 439/248 |
| 4,944,689 | 7/1990 | Carr | | 439/402 X |

Primary Examiner—Joel Sincavage
Attorney, Agent, or Firm—Martin Sachs

[57] CLAIM

The ornamental design for an environmentally sealed electrical terminal with hook-up wire management, as shown and described.

DESCRIPTION

FIG. 1 is a slightly enlarged isometric rear view of top and bottom portions of an environmentally sealed protection terminal having hook-up wire management, according to the principles of the present invention;

FIG. 2 is a slightly enlarged isometric front view of the apparatus as disclosed in FIG. 1;

FIG. 3 is a slightly enlarged isometric rear view of the bottom portion of the environmentally sealed protection terminal with the top portion removed;

FIG. 4 is a slightly enlarged isometric front view of the bottom portion of the apparatus shown in FIG. 3 with the top portion removed;

FIG. 5 is a front view in elevation of the environmentally sealed protection apparatus shown in FIG. 1;

FIG. 6 is rear view in elevation of the apparatus shown in FIG. 5;

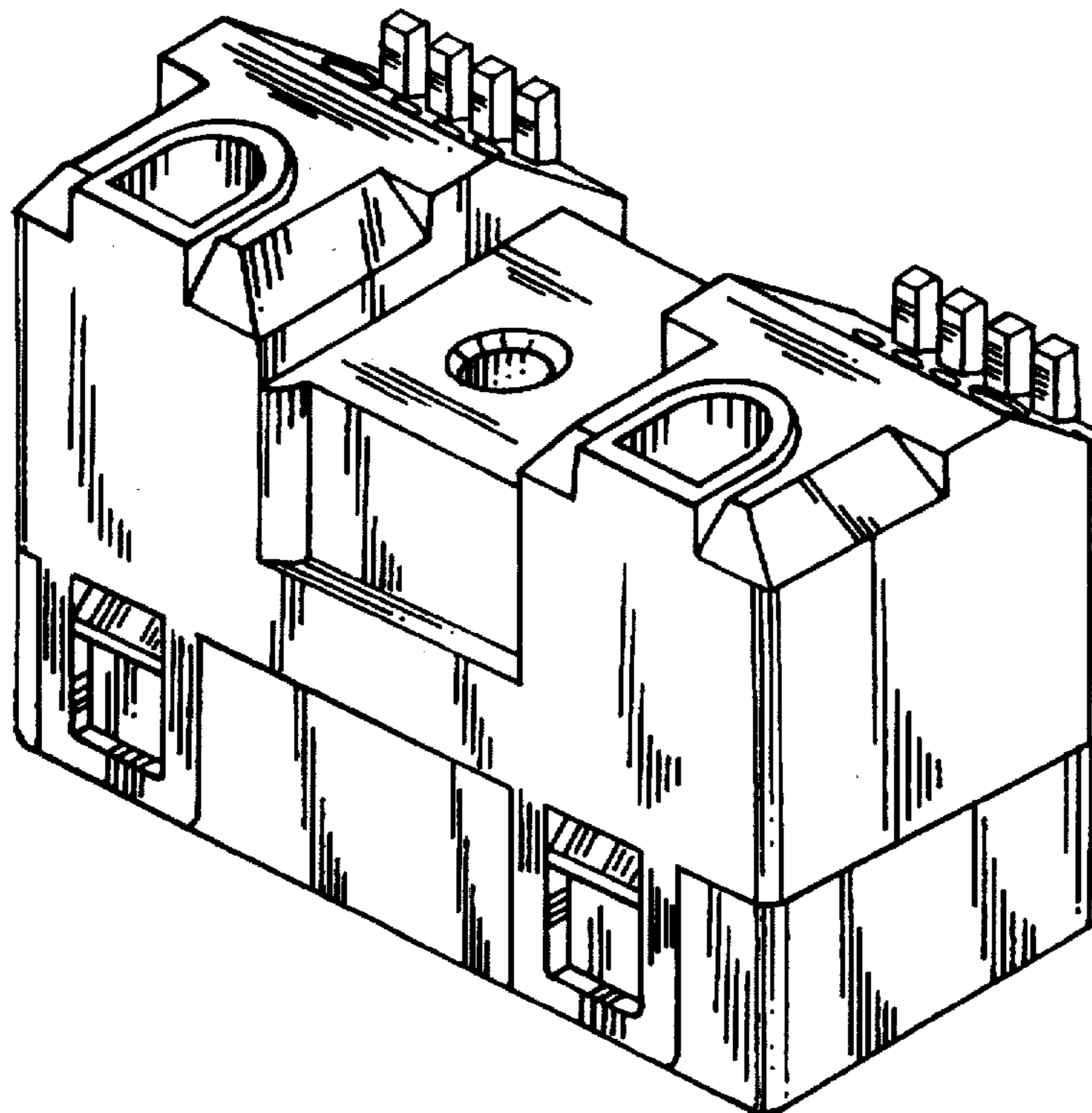
FIG. 7 is side view in elevation of the apparatus shown in FIG. 5;

FIG. 8 is an opposite side view in elevation of the apparatus shown in FIG. 5;

FIG. 9 is top plan view of the apparatus shown in FIG. 5; and,

FIG. 10 is bottom plan view of the apparatus shown in FIG. 5.

1 Claim, 5 Drawing Sheets



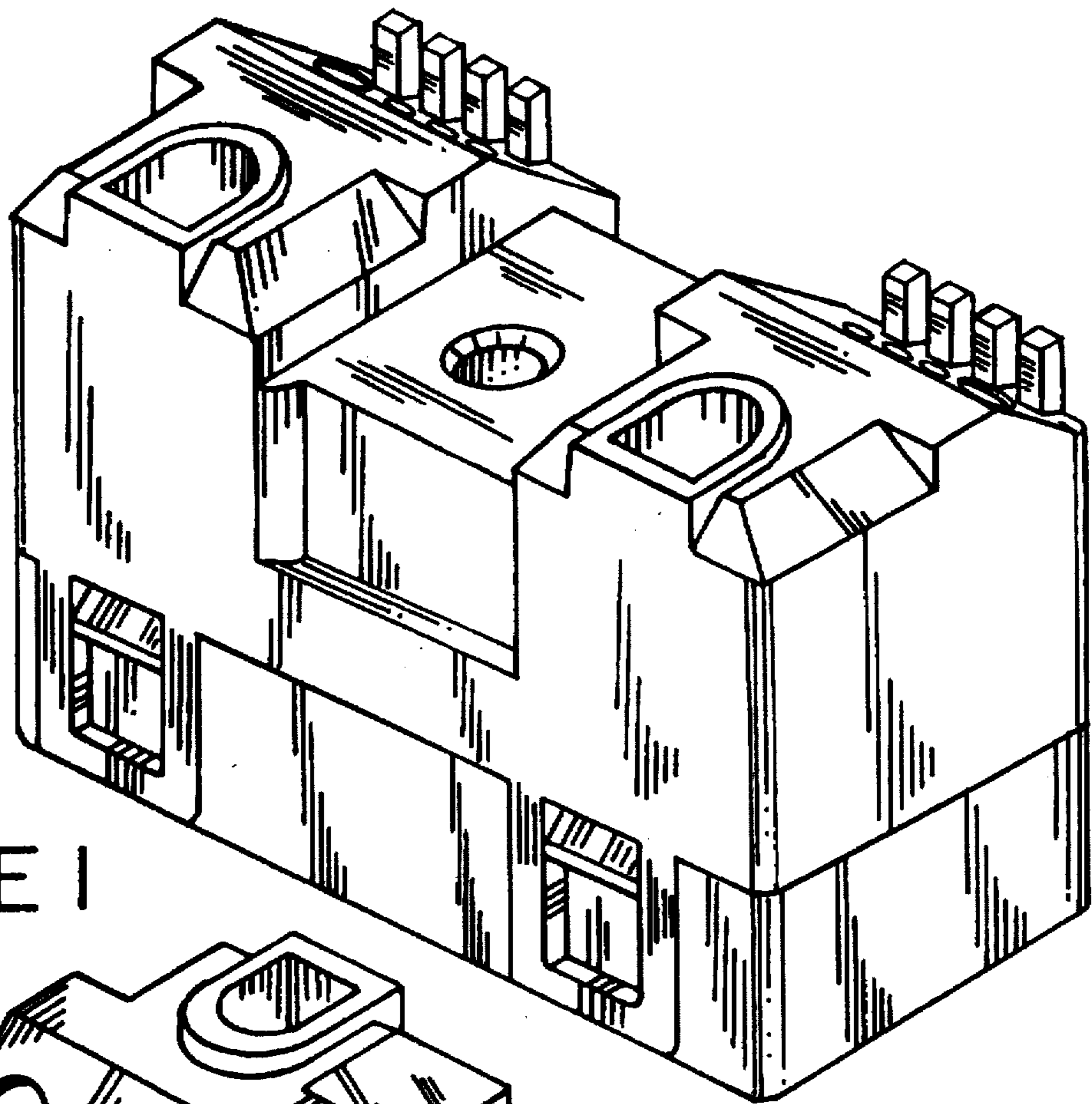


FIGURE 1

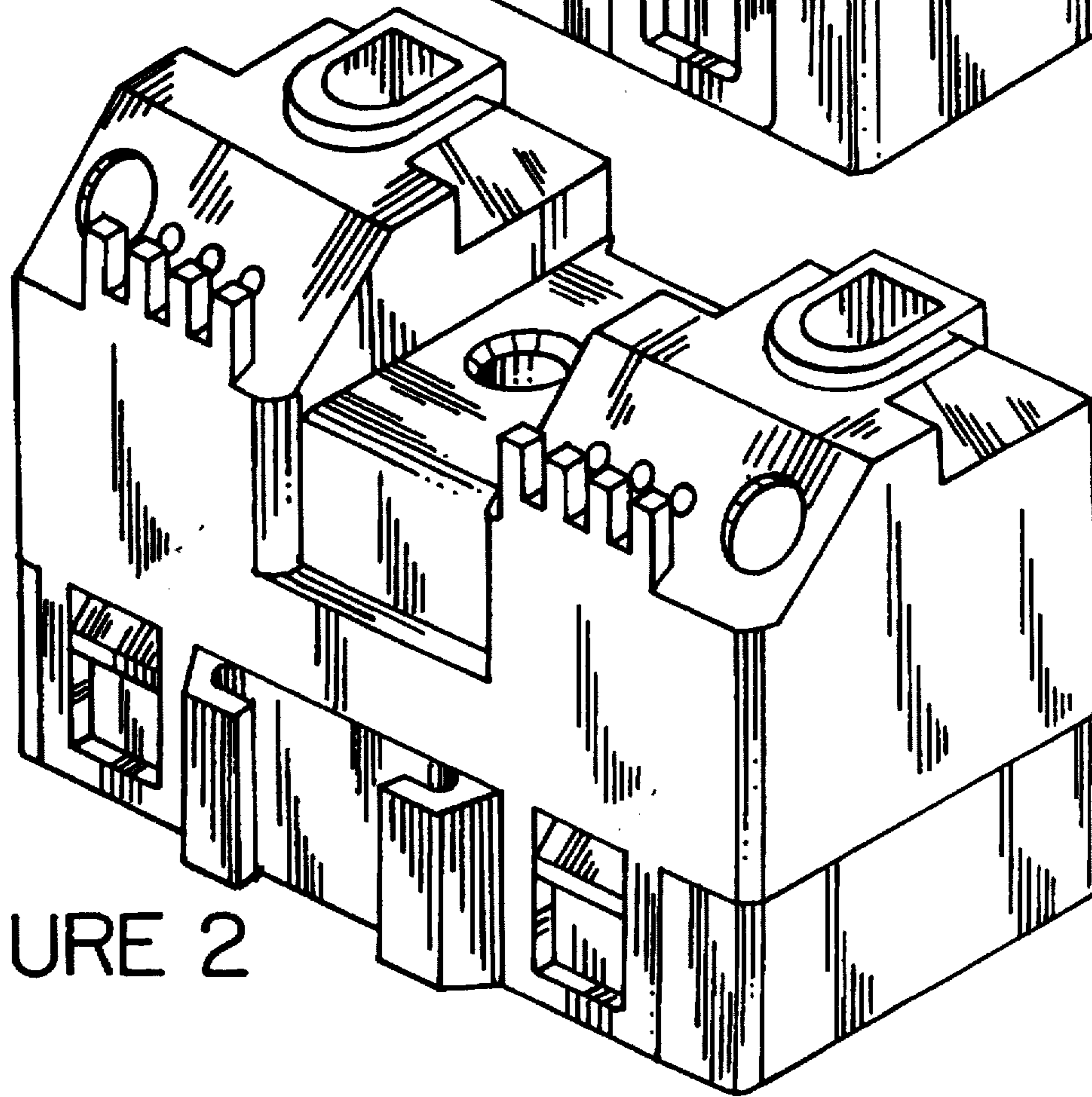


FIGURE 2

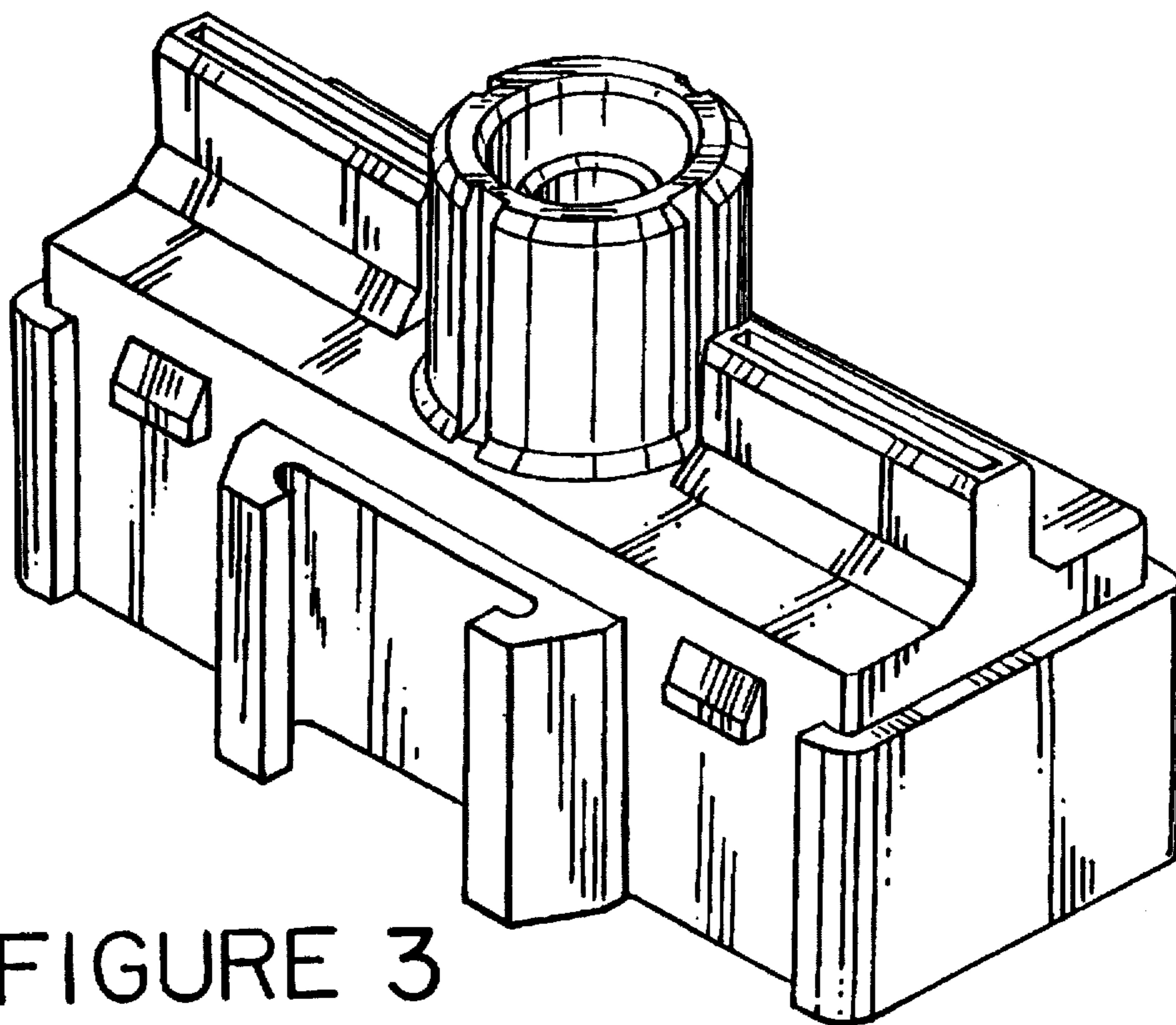


FIGURE 3

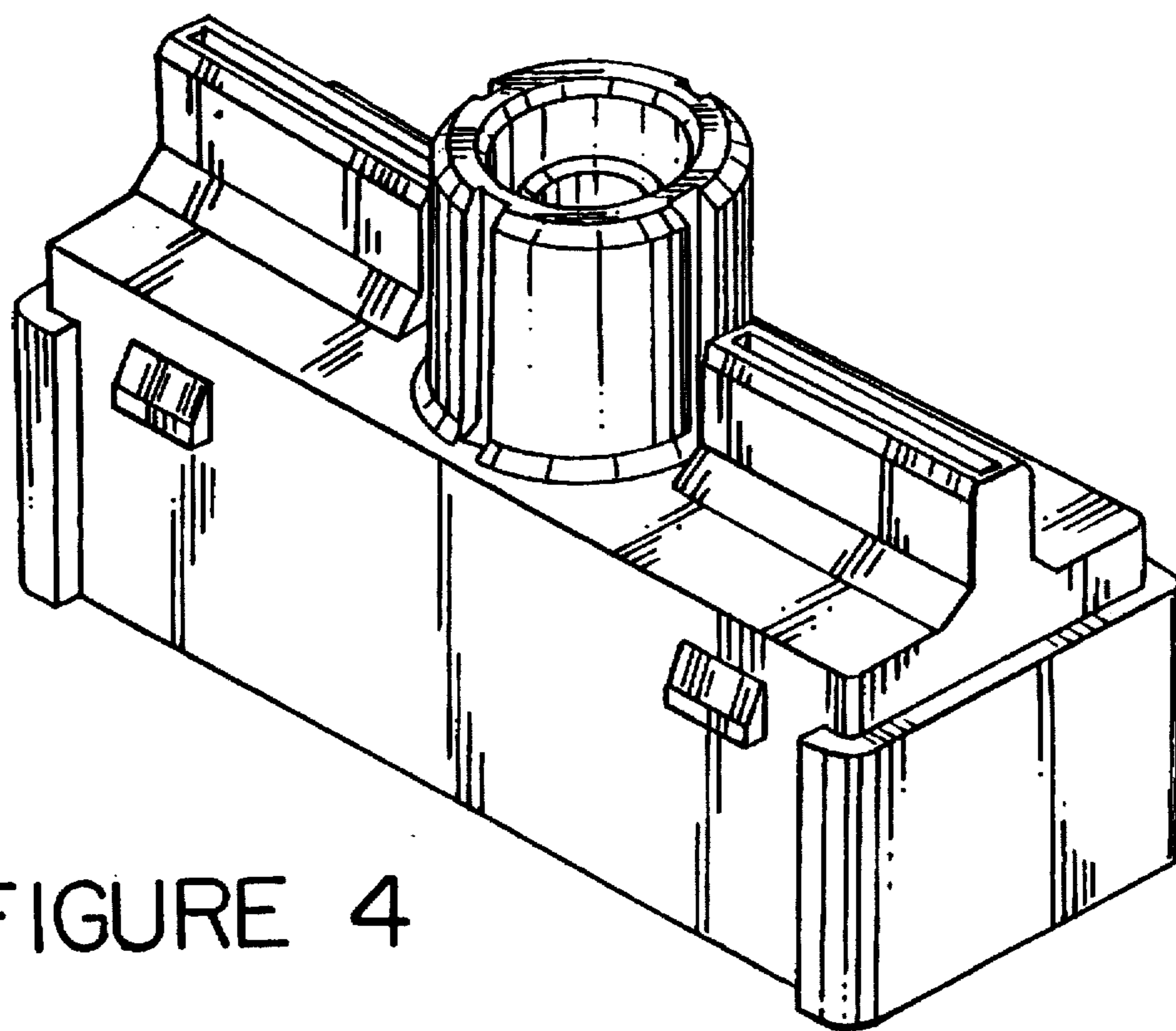


FIGURE 4

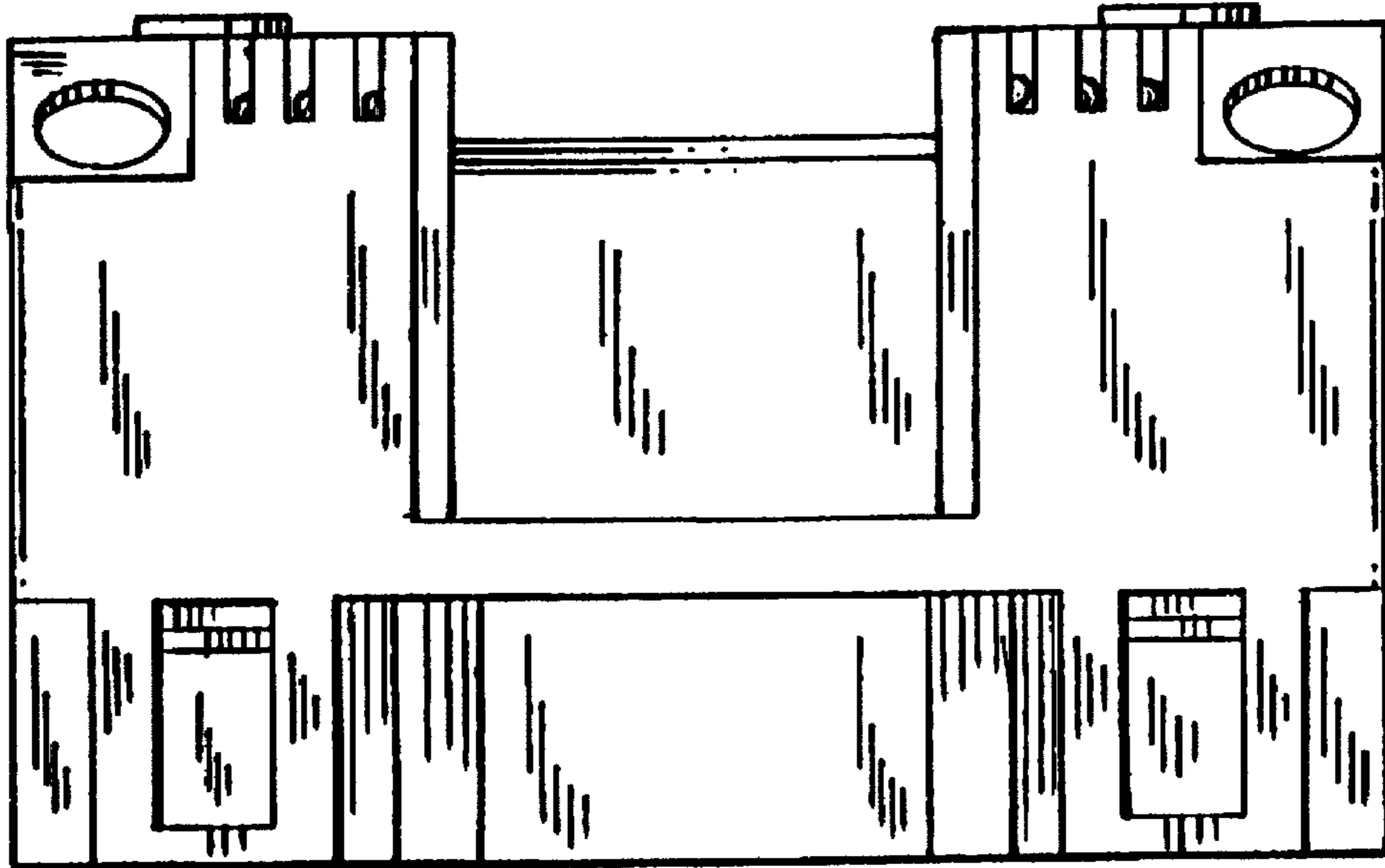


FIGURE 5

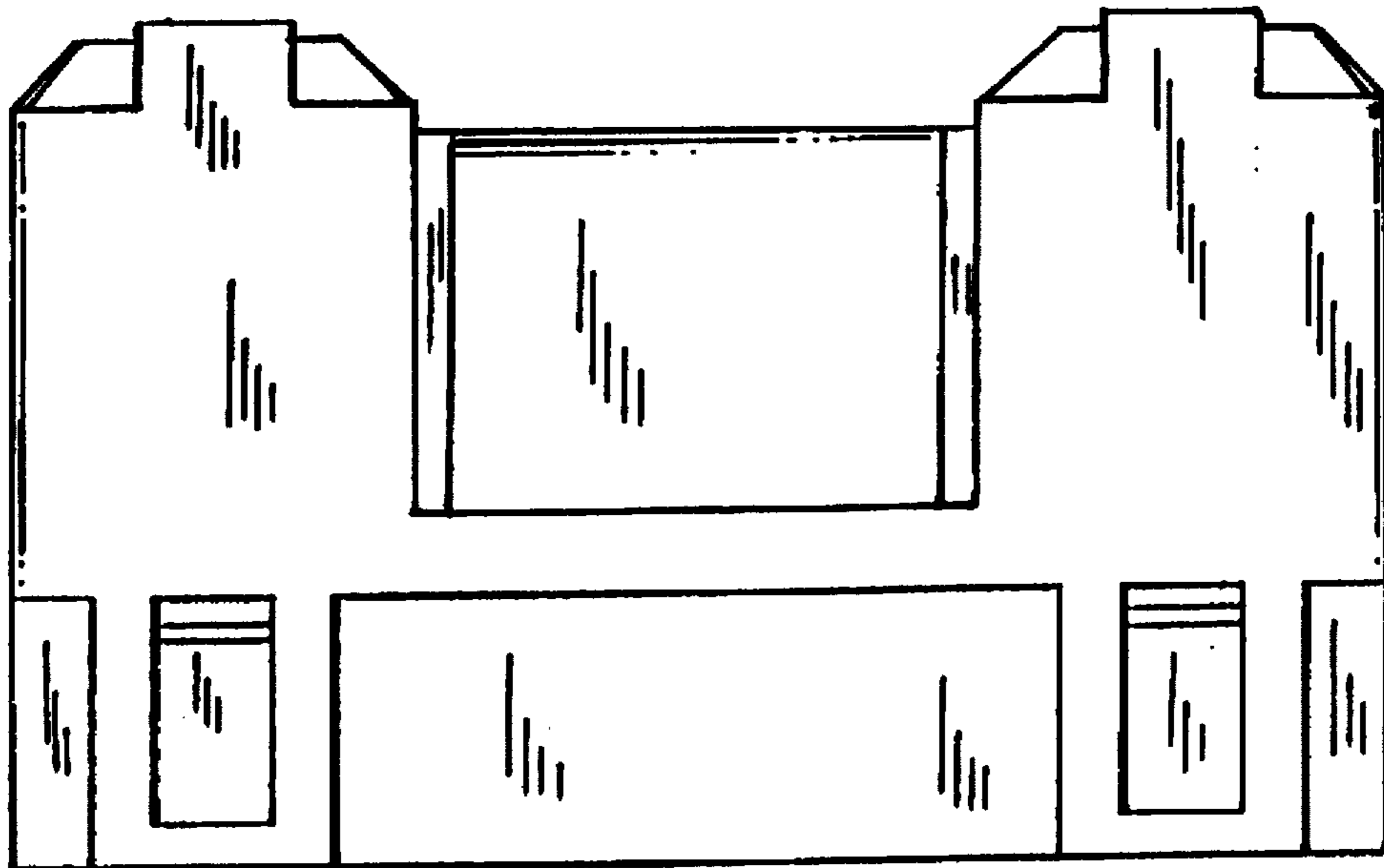


FIGURE 6

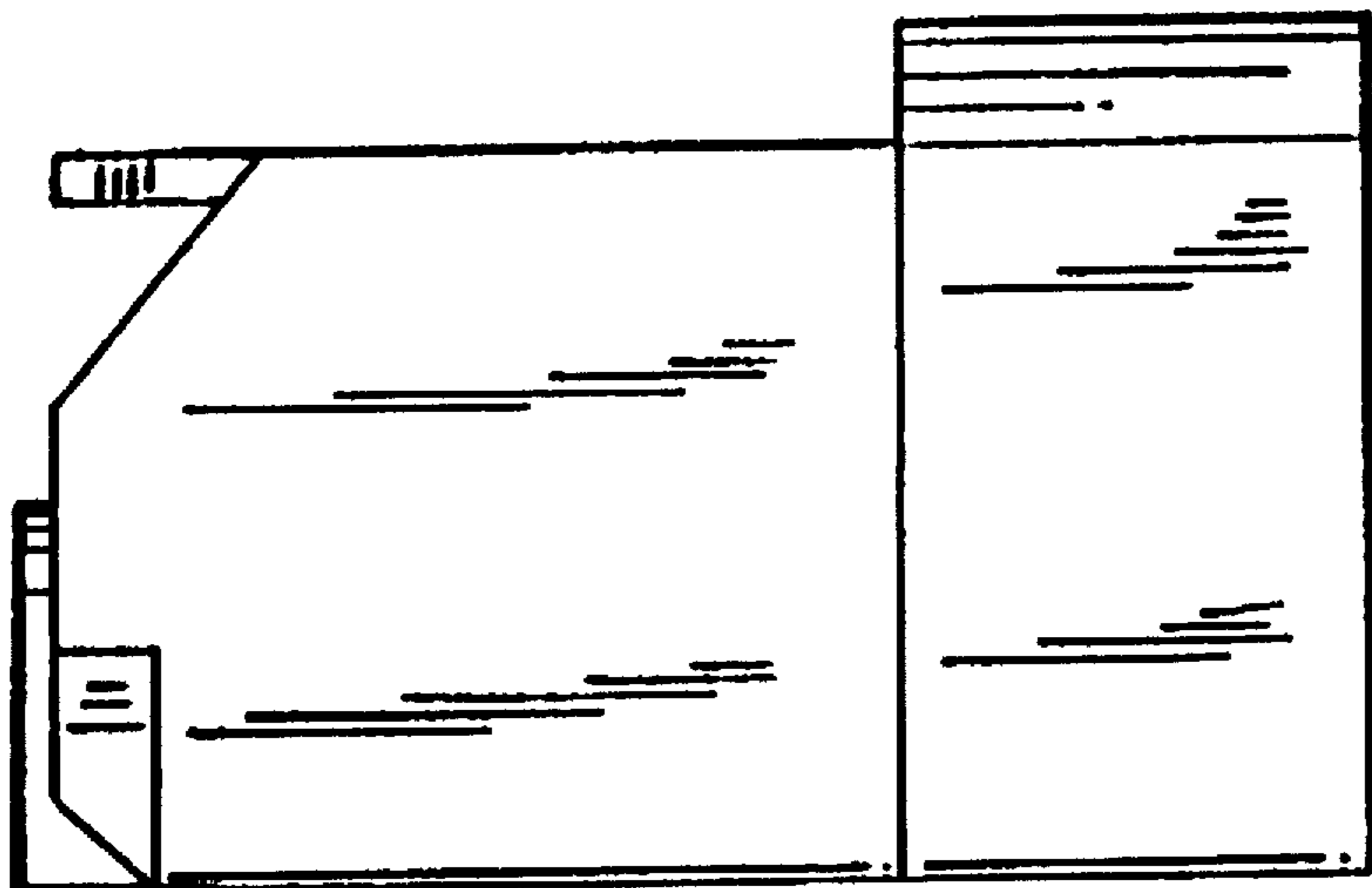


FIGURE 8

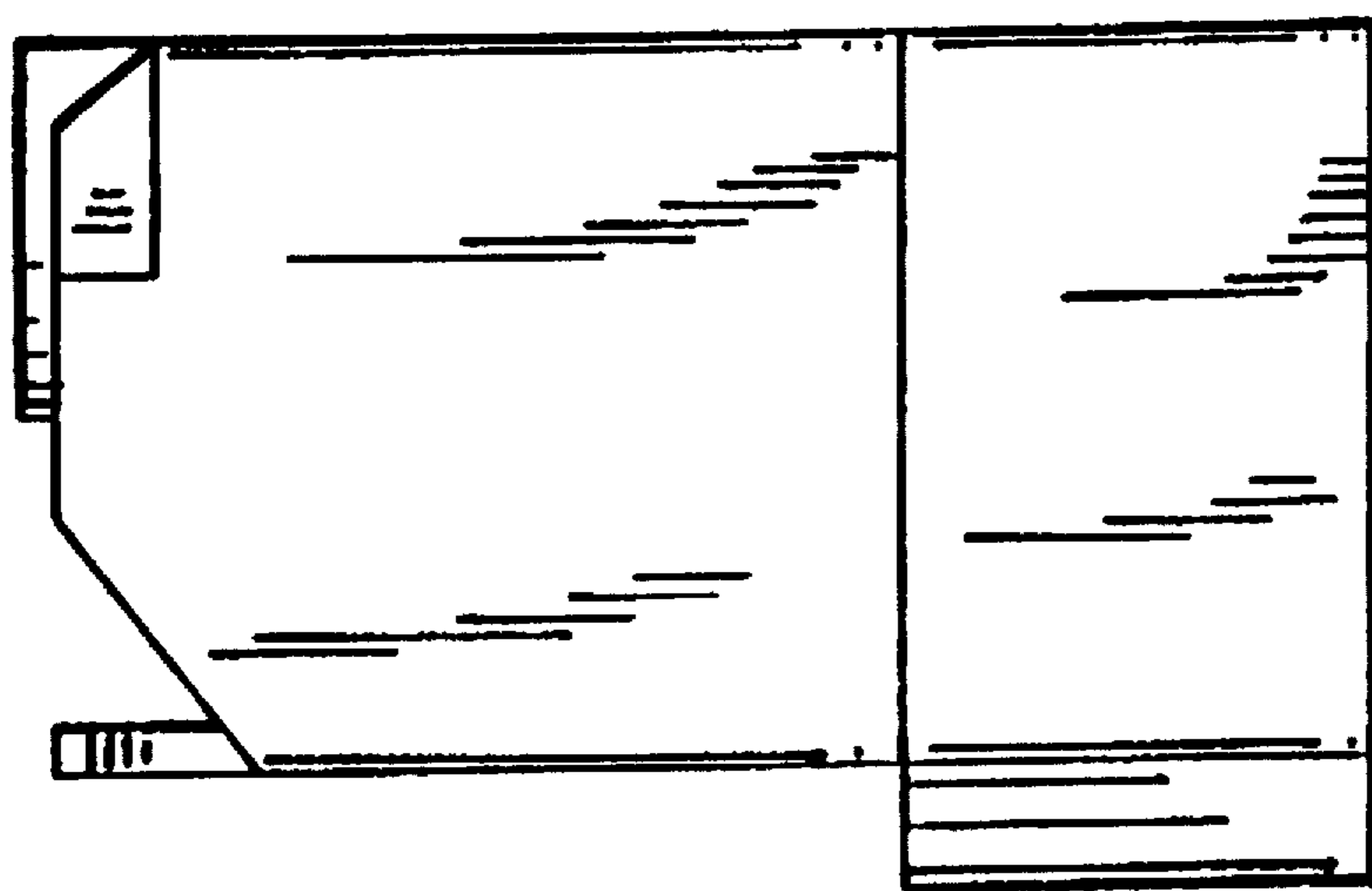


FIGURE 7

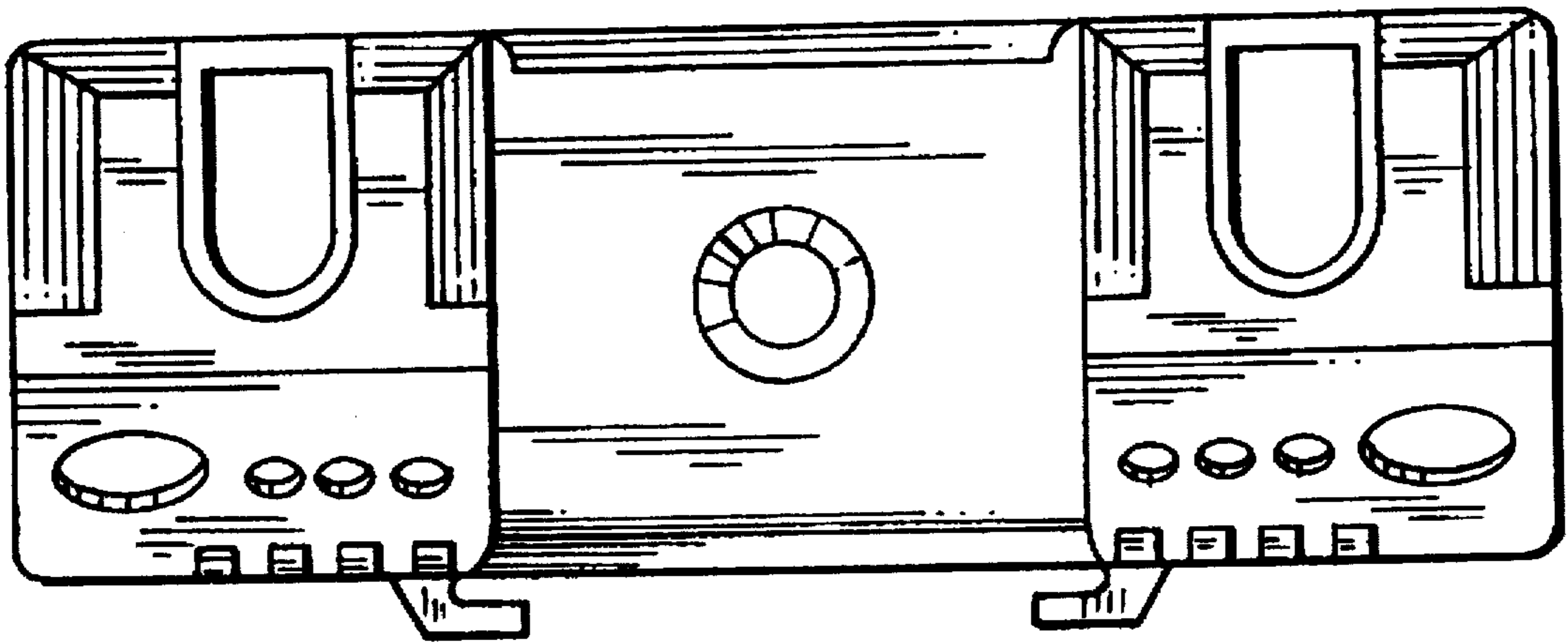


FIGURE 9

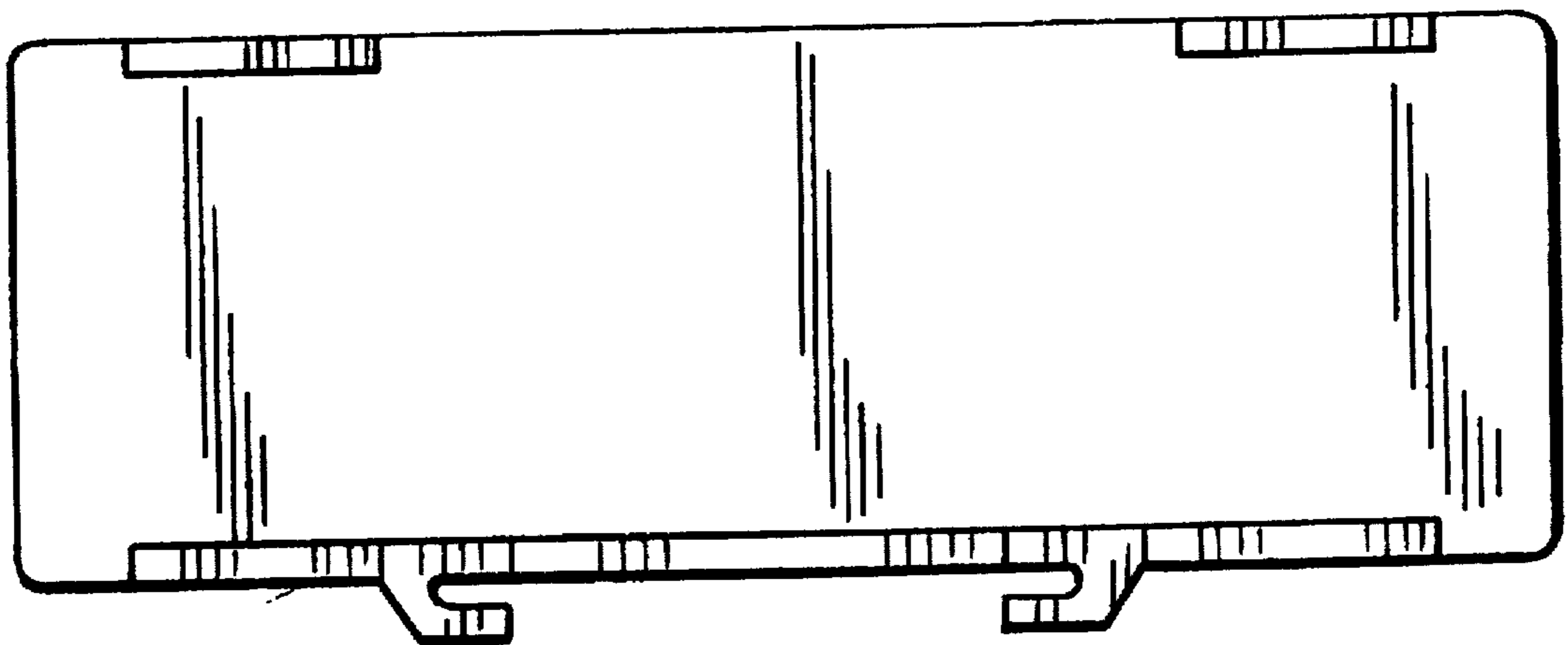


FIGURE 10