



US00D389799S

United States Patent [19]

Somers

[11] Patent Number: **Des. 389,799**

[45] Date of Patent: ****Jan. 27, 1998**

[54] FOUR PORT CHARGER

[75] Inventor: **Robert L. Somers**, Reisterstown, Md.

[73] Assignee: **Black & Decker Inc.**, Newark, Del.

[**] Term: **14 Years**

[21] Appl. No.: **42,567**

[22] Filed: **Aug. 11, 1995**

[51] LOC (6) Cl. **13-02**

[52] U.S. Cl. **D13/107**

[58] Field of Search **D13/107, 108;**
320/2, 3, 4, 15; **D14/149, 251; 336/92,**
107; **363/146**

[56] References Cited

U.S. PATENT DOCUMENTS

D. 211,850	8/1968	Shalvoy	D13/108
D. 255,029	5/1980	Bromlie	D13/108
D. 337,985	8/1993	Kindschuh	D13/104
D. 349,883	8/1994	Gallagher et al.	D13/108

Primary Examiner—Joel Sincavage

Attorney, Agent, or Firm—Bruce S. Shapiro; Dennis A. Dearing; John D. Del Ponti

[57] CLAIM

The ornamental design for a four port charger, as shown and described.

DESCRIPTION

FIG. 1 is a front perspective view of a first embodiment of a four port charger showing my new design;

FIG. 2 is a front elevational view of FIG. 1.

FIG. 3 is a rear elevational view of FIG. 1.

FIG. 4 is a right side elevational view of FIG. 1.

FIG. 5 is a left side elevational view of FIG. 1.

FIG. 6 is a top plan view of FIG. 1.

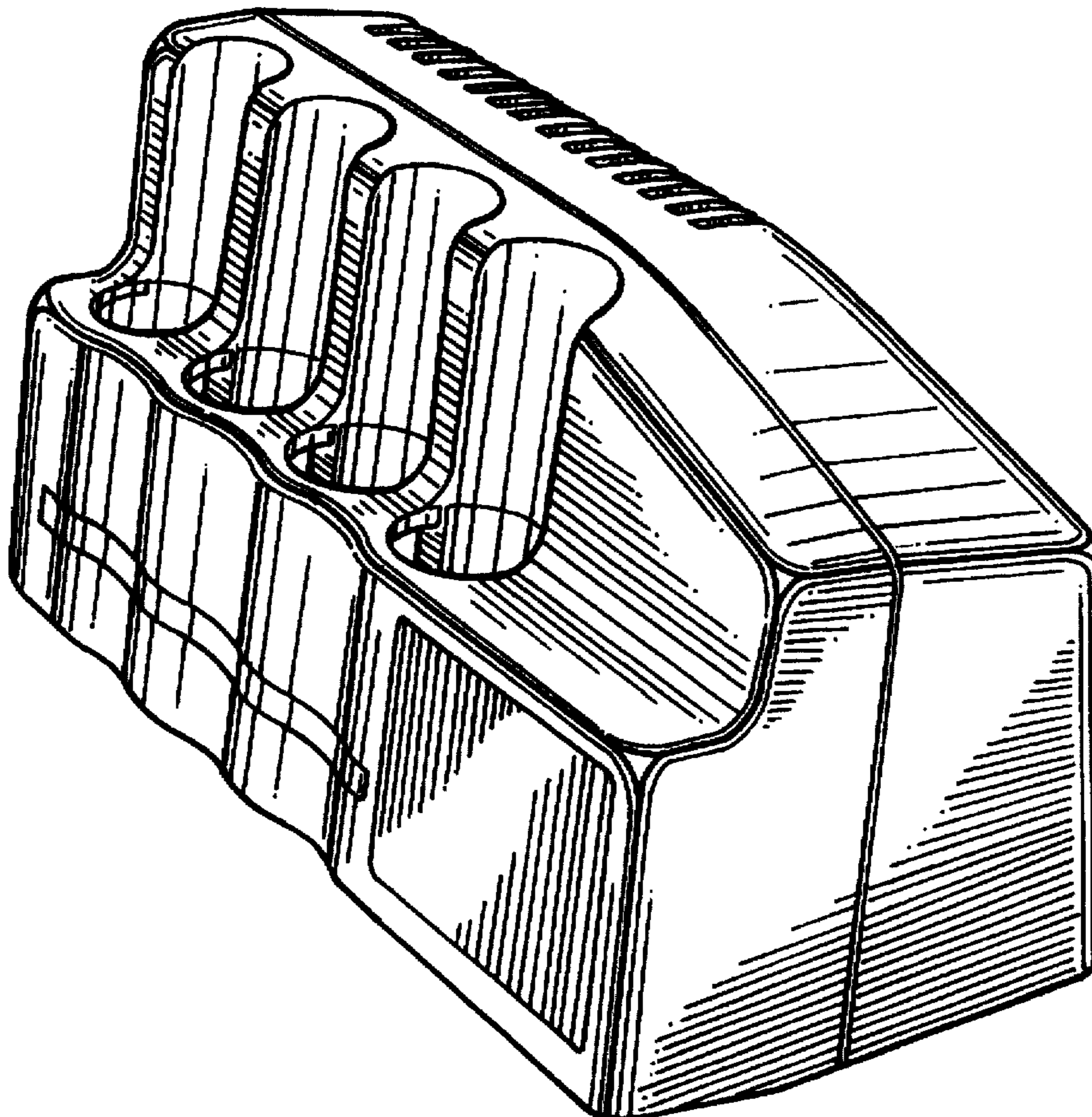
FIG. 7 is a bottom plan view of FIG. 1; and,

FIG. 8 is a front perspective view of a second embodiment of a four port charger showing my new design.

All other views of the second embodiment are the same as the first except for the appearance of the horizontal strip on the left side of the front.

The broken lines shown in FIGS. 3 through 7 are included for the purpose of illustrating environmental structure only and form no part of the claimed design.

1 Claim, 5 Drawing Sheets



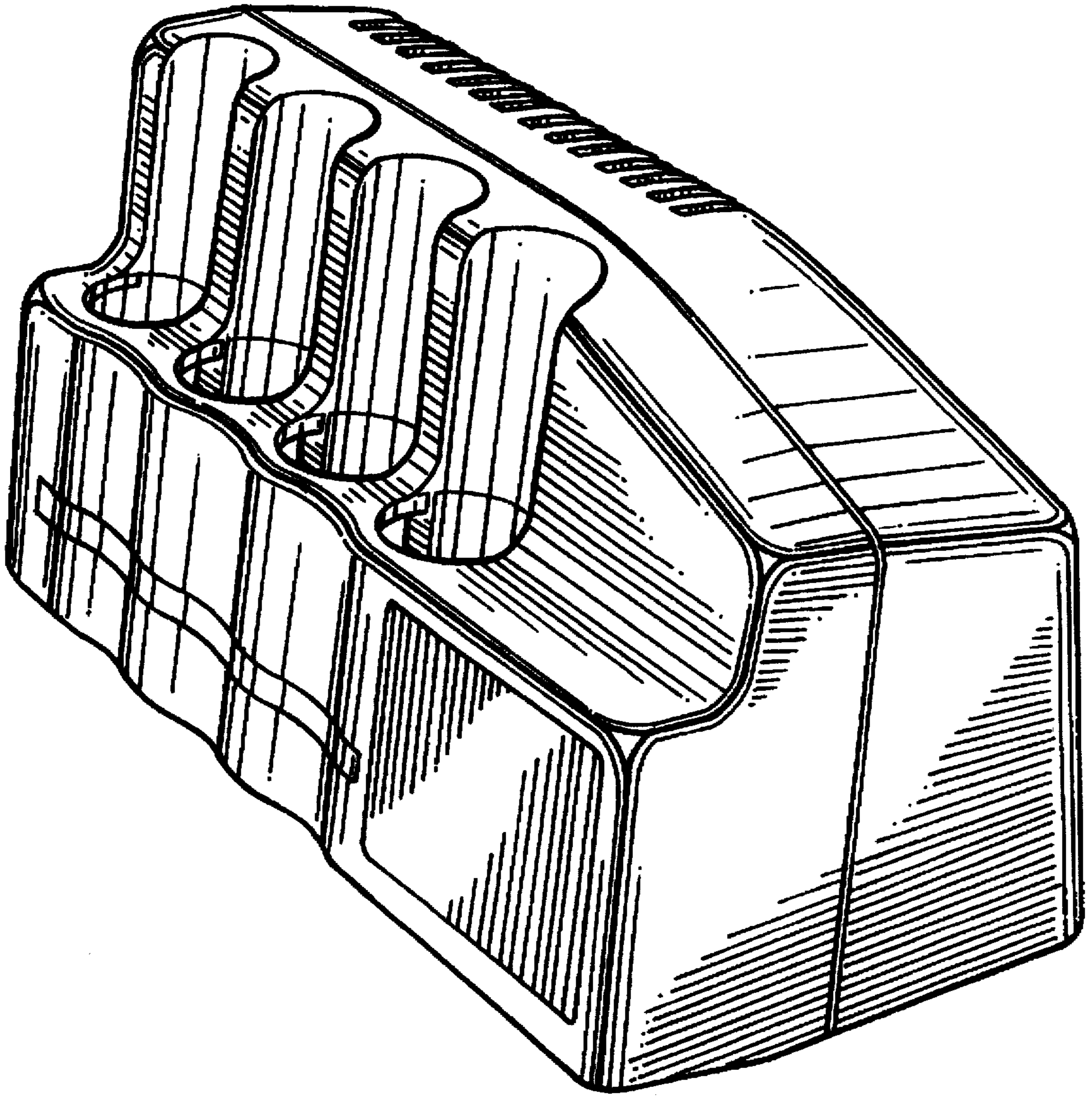


FIG. 1

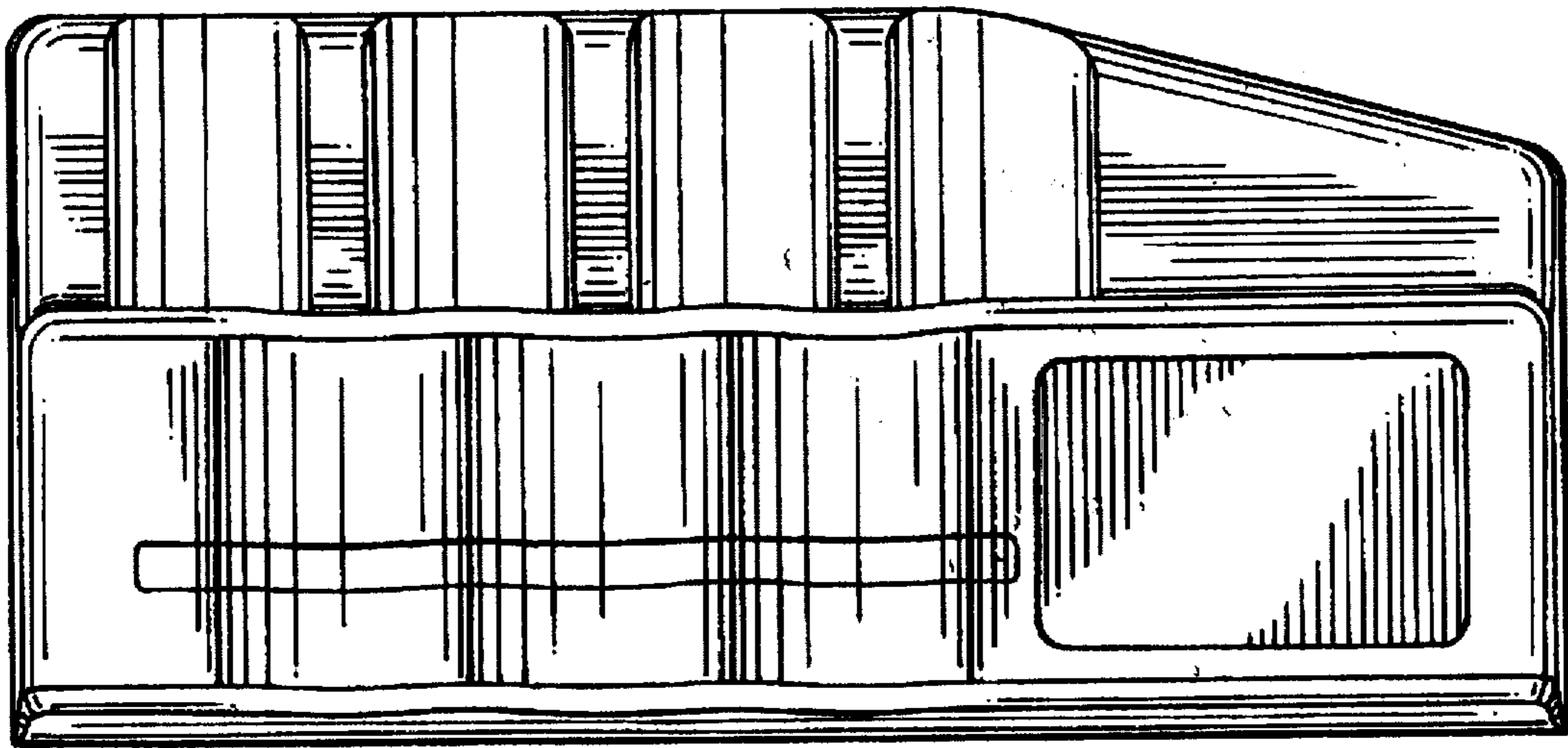


FIG. 2

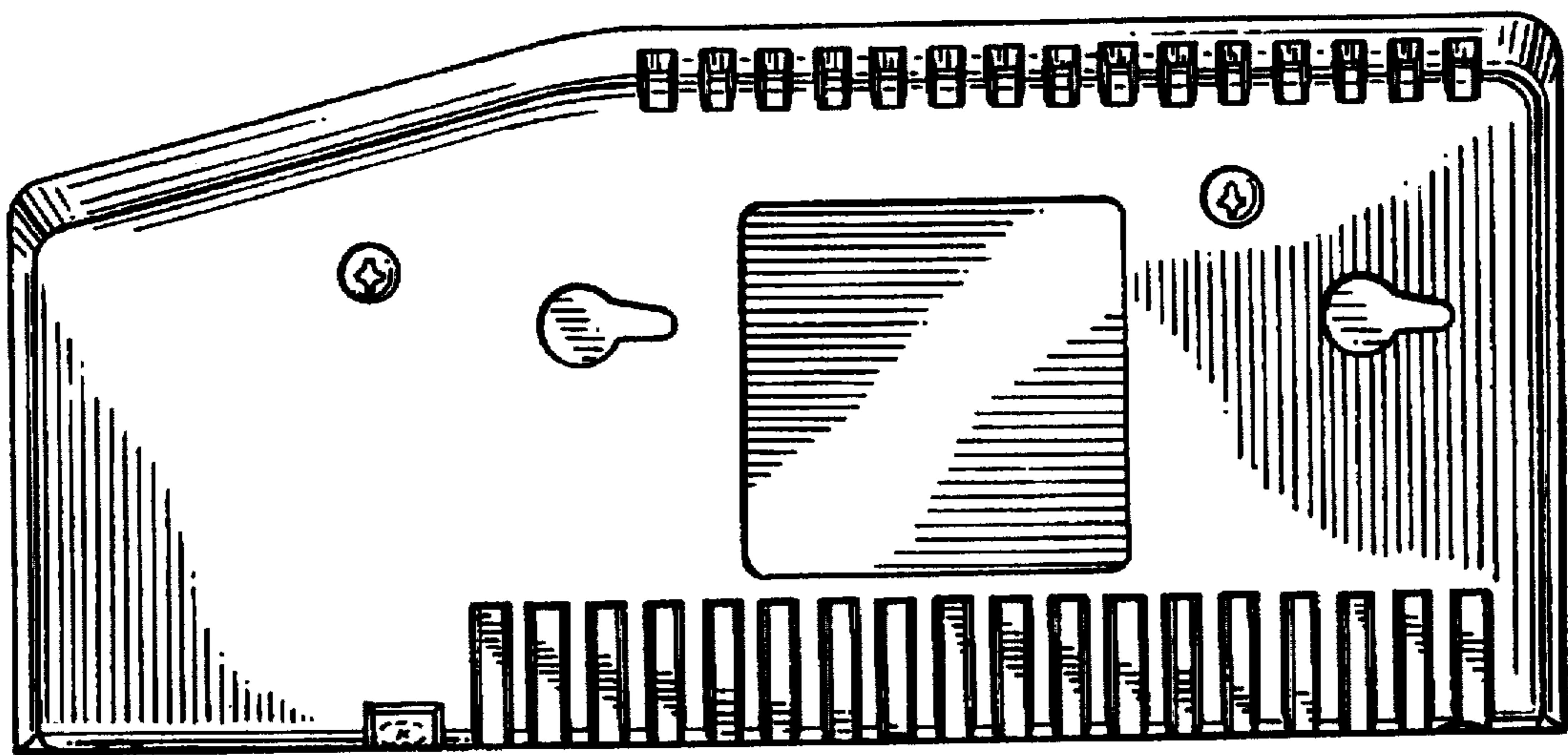


FIG. 3

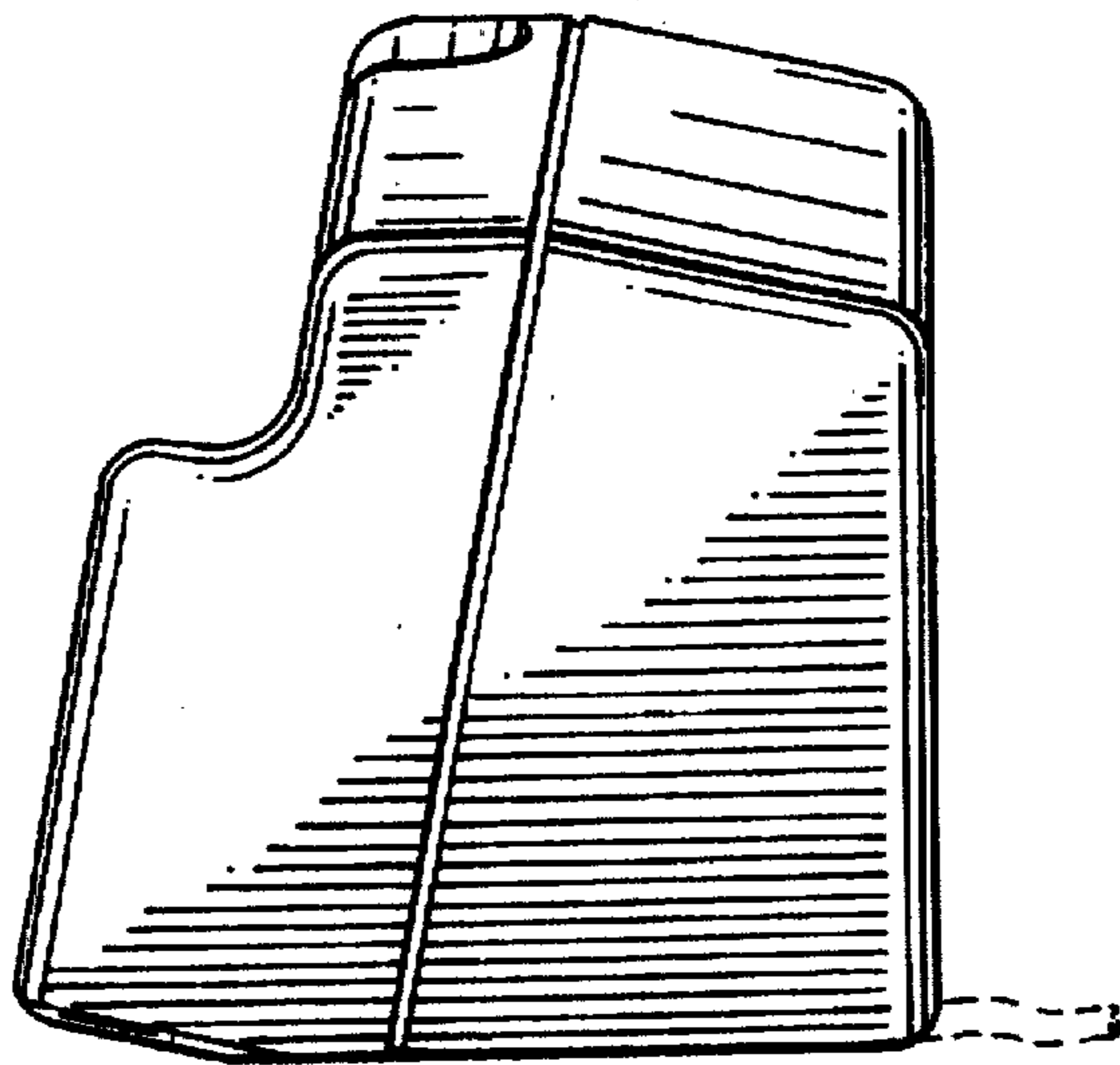


FIG. 4

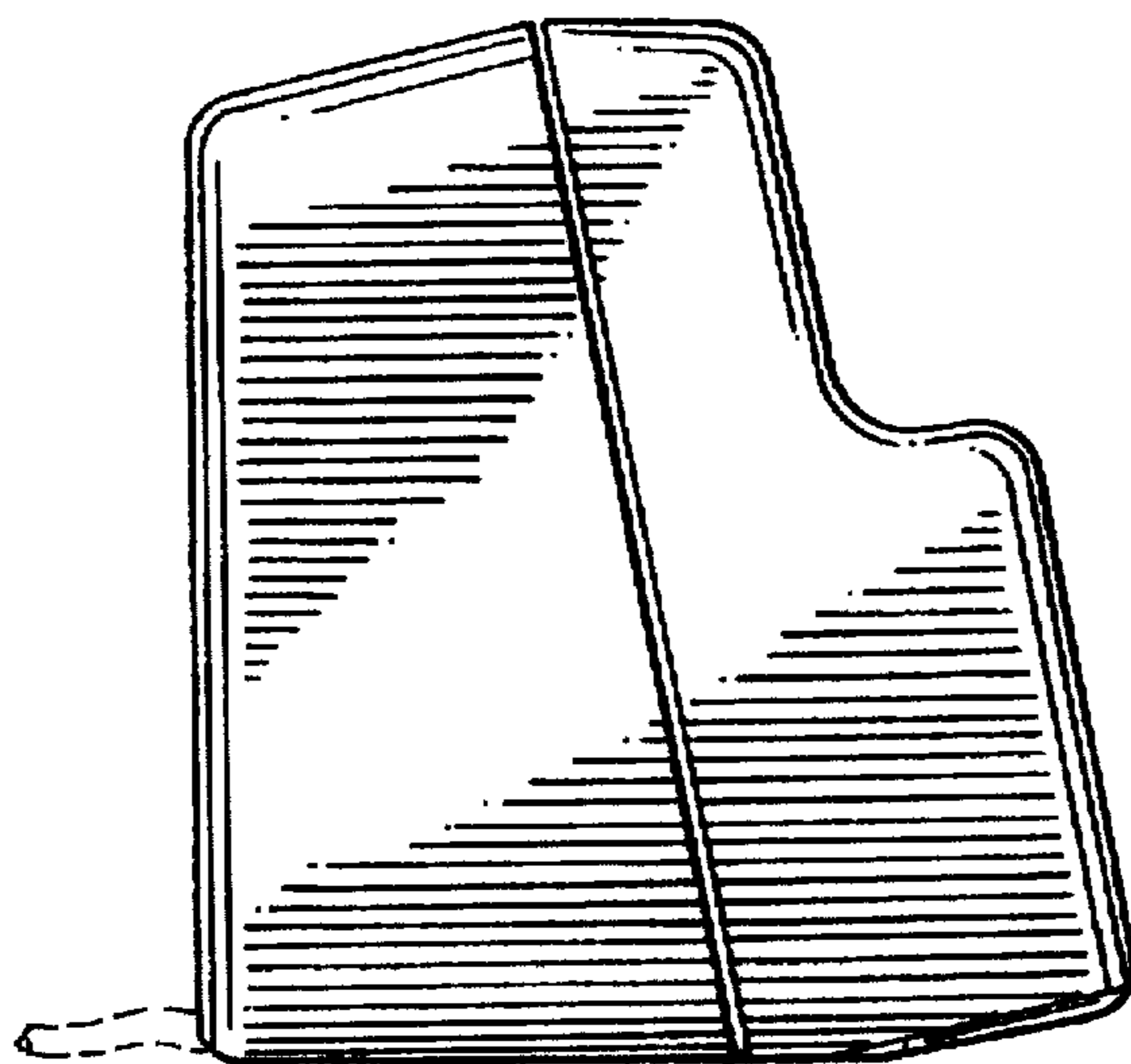


FIG. 5

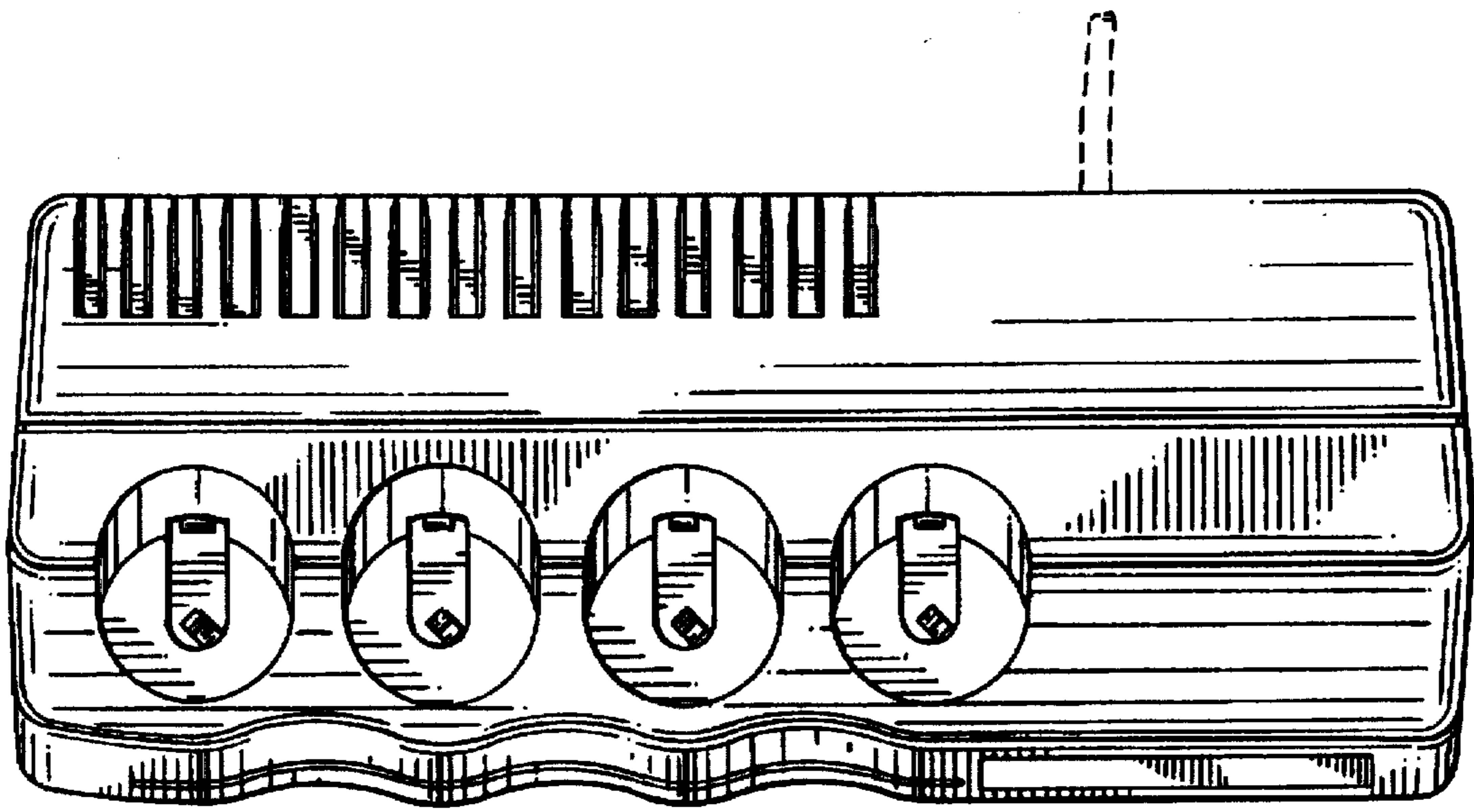


FIG. 6

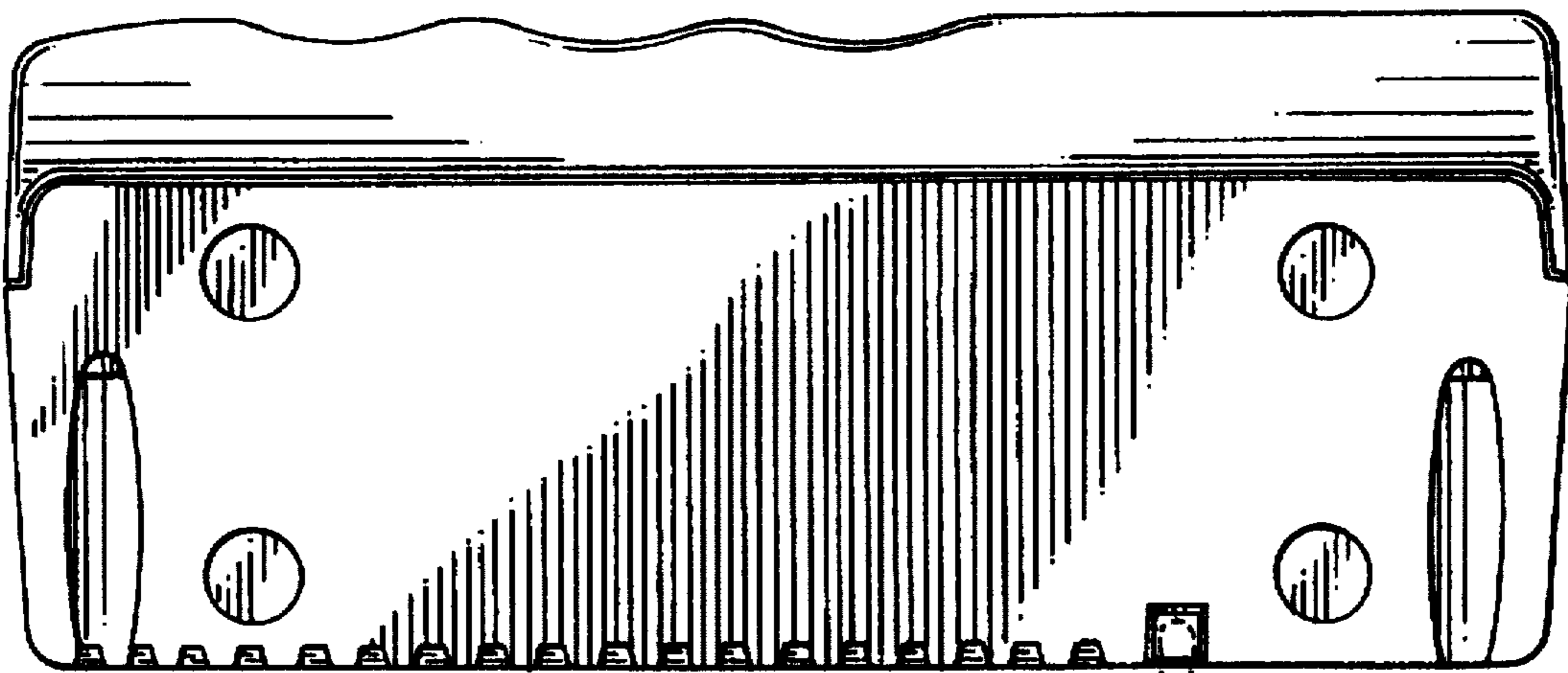


FIG. 7

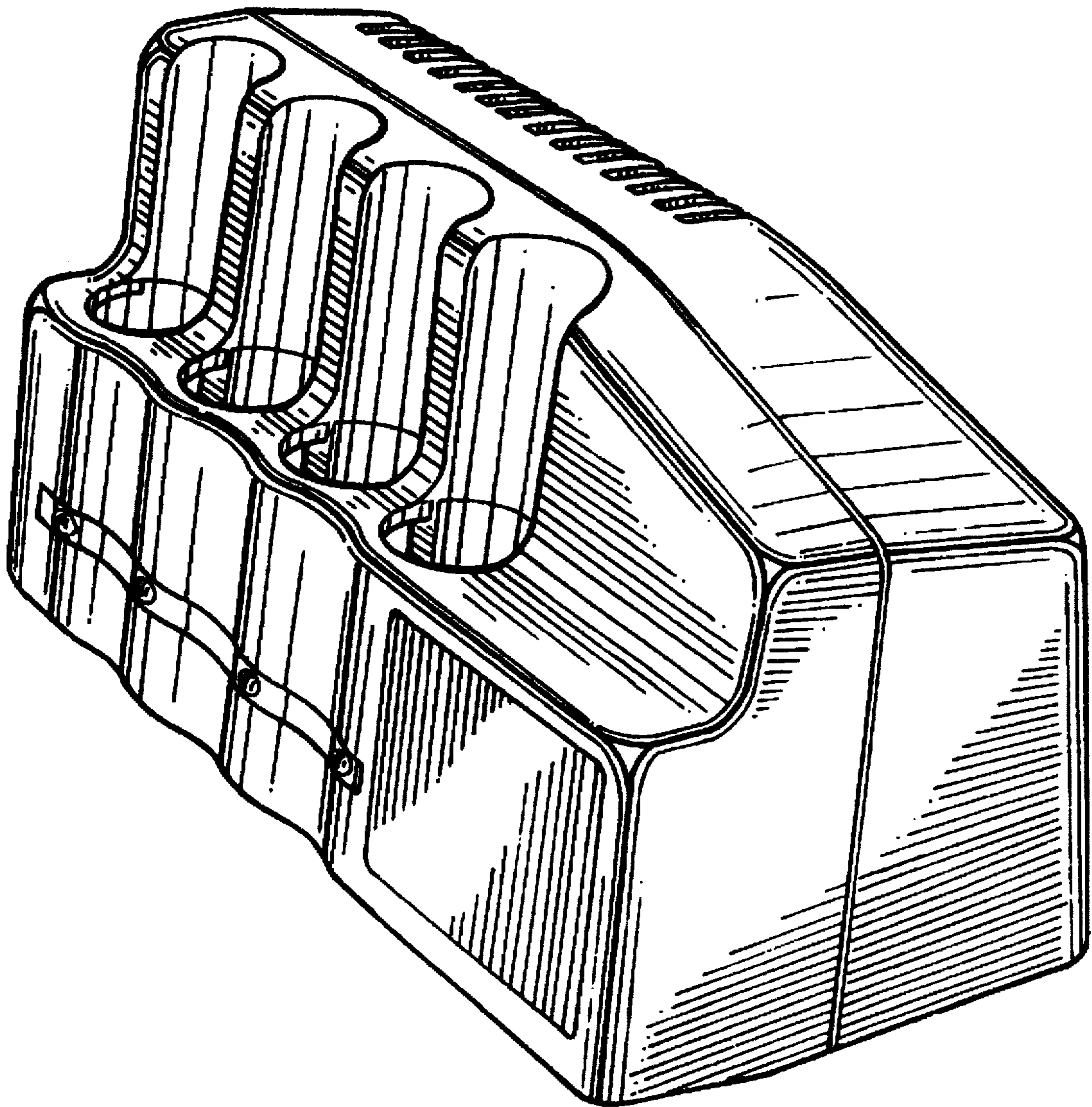


FIG. 8