



US00D389796S

United States Patent [19] Olson

[11] Patent Number: **Des. 389,796**
[45] Date of Patent: ****Jan. 27, 1998**

[54] **JACK WHEEL HOLDER**

[76] Inventor: **Donald G. Olson**, 1441 W. Latoka Dr.
Southwest, Alexandria, Minn. 56308

[**] Term: **14 Years**

[21] Appl. No.: **49,171**

[22] Filed: **Jan. 19, 1996**

[51] LOC (6) Cl. **12-16**

[52] U.S. Cl. **D12/217**

[58] Field of Search **D12/217; 188/32,**
188/36, 4 R

4,034,961 7/1977 Breen .
4,050,403 9/1977 Miller .
4,108,421 8/1978 Extine .
4,819,910 4/1989 Johnston .
4,911,270 3/1990 Hudson .
5,033,146 7/1991 Fogarty et al. .
5,046,587 9/1991 Jones .

Primary Examiner—Louis S. Zarfes
Assistant Examiner—Eric Watterson
Attorney, Agent, or Firm—Peterson, Wicks, Nemer &
Kamrath, P.A.

[57] CLAIM

The ornamental design for a jack wheel holder, as shown and described.

[56] References Cited

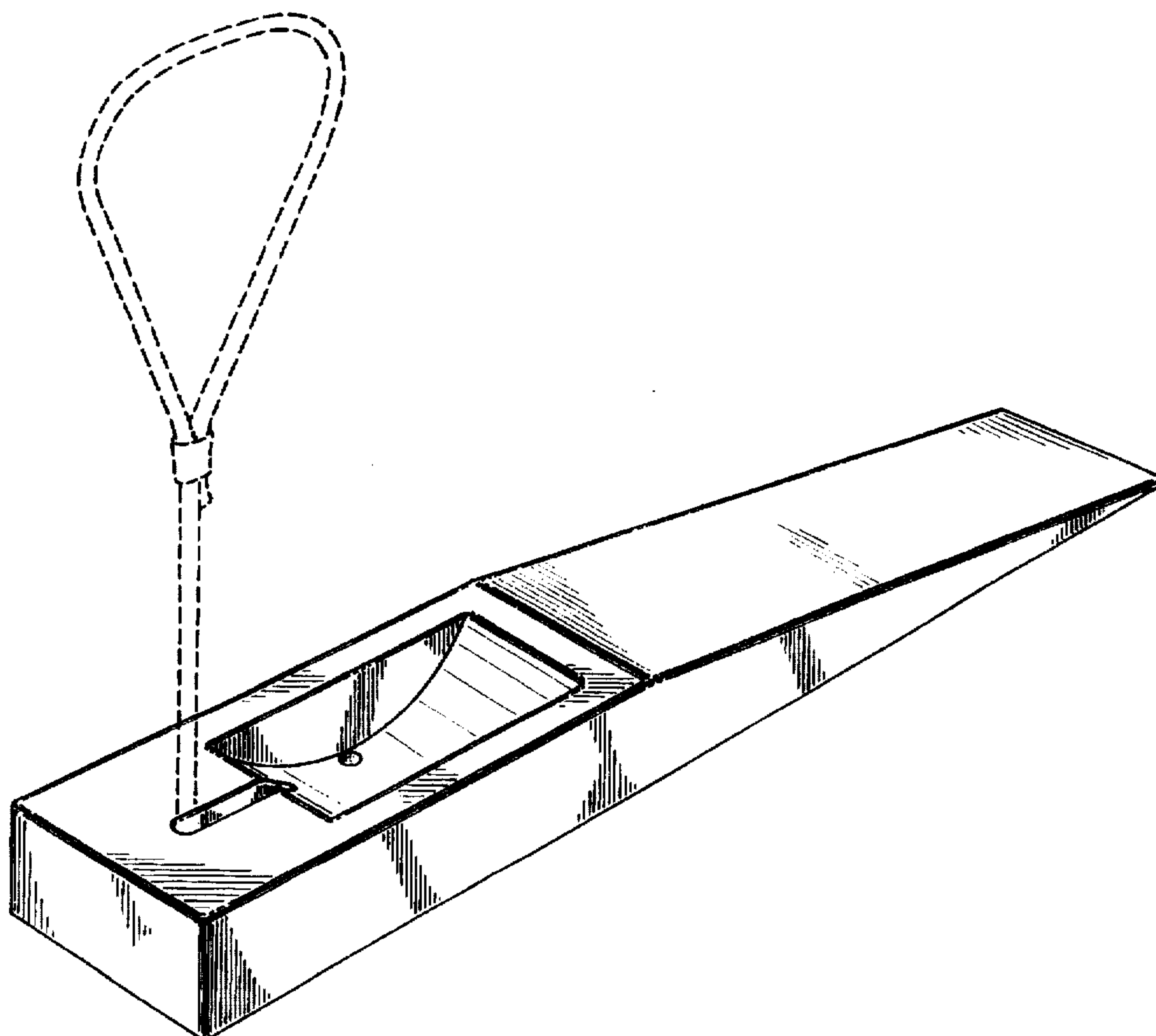
U.S. PATENT DOCUMENTS

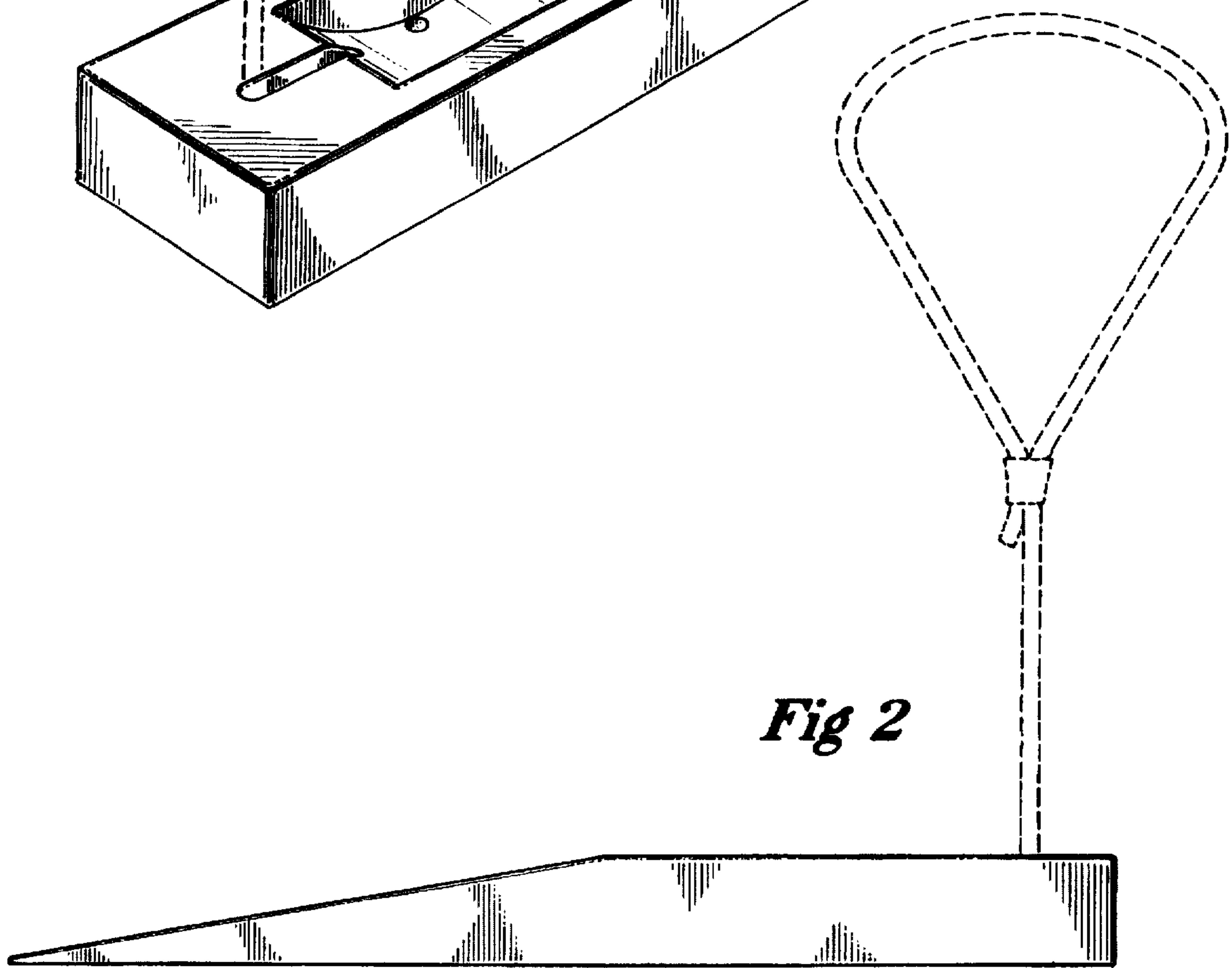
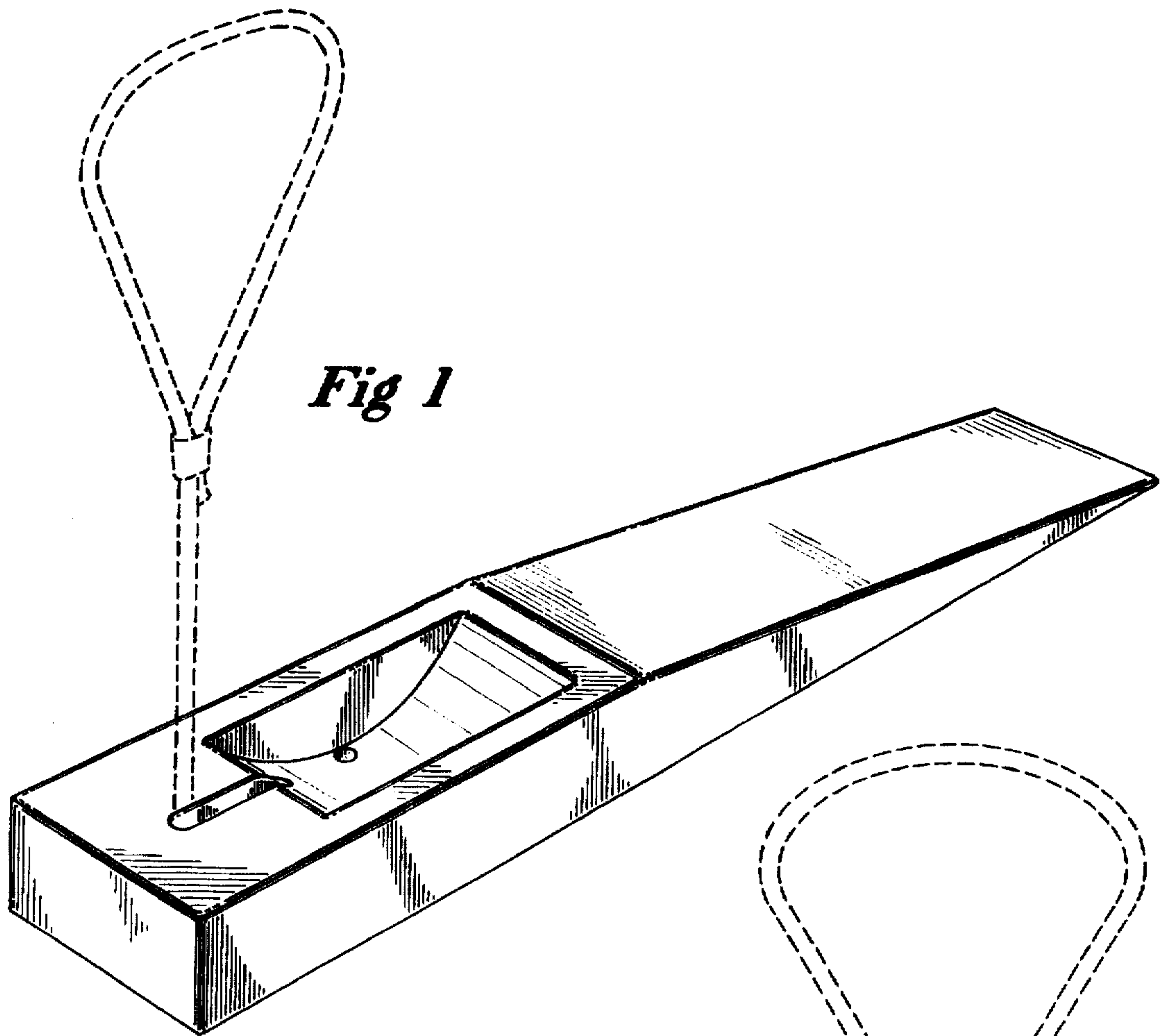
D. 142,220	8/1945	Lyons .	
D. 236,823	9/1975	Switzer	D12/217
D. 314,938	2/1991	Anderson .	
D. 365,078	12/1995	Ziaylek	D12/217
838,830	12/1906	Williams	188/4 R
1,619,845	3/1927	Zucker	188/4 R
2,232,585	2/1941	Aldrich .	
2,279,464	4/1942	Jackson .	
2,465,551	3/1949	Otterness .	
2,870,872	1/1959	Rapp .	
3,353,789	11/1967	Scott .	
3,638,910	2/1972	Nellis et al. .	
3,819,138	6/1974	Rehkopf et al. .	

DESCRIPTION

FIG. 1 is a rear perspective of a jack wheel holder embodying my new design;
FIG. 2 is a front elevation thereof, with the rear elevation being a mirror image thereof;
FIG. 3 is a top plan thereof;
FIG. 4 is a bottom plan thereof;
FIG. 5 is a left side elevation thereof; and,
FIG. 6 is a right side elevation thereof, with a pull member shown in broken lines being for illustrative purposes only and forms no part of the claimed design.

1 Claim, 2 Drawing Sheets





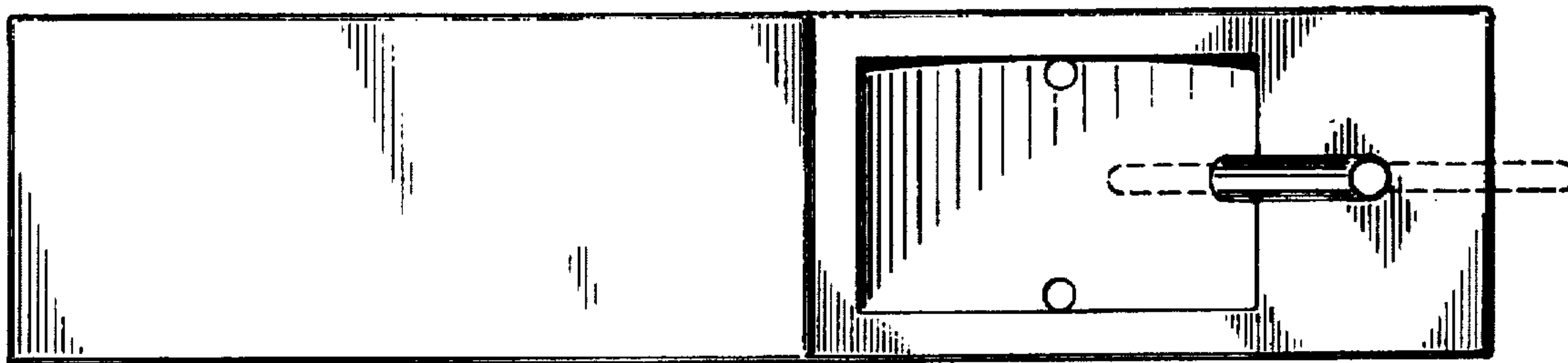


Fig 3

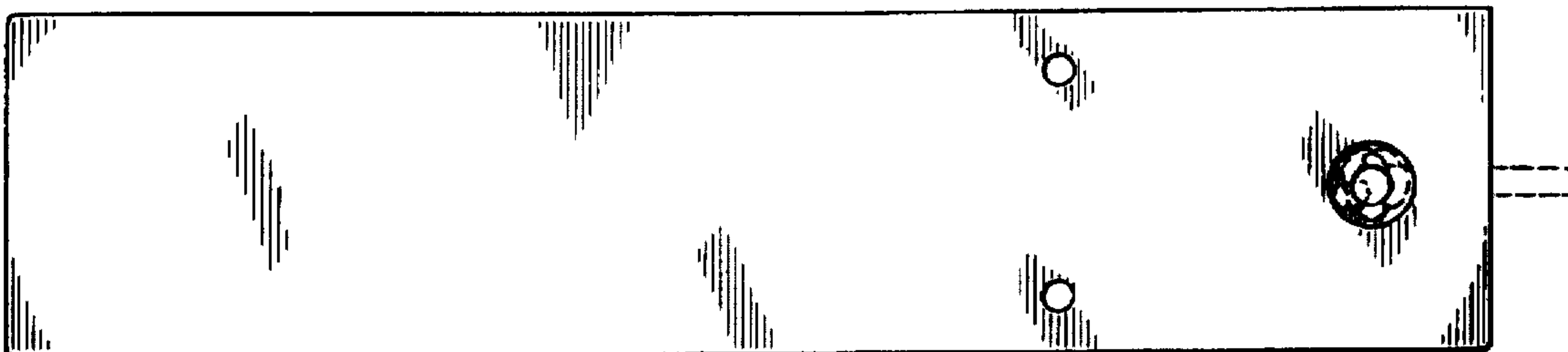


Fig 4

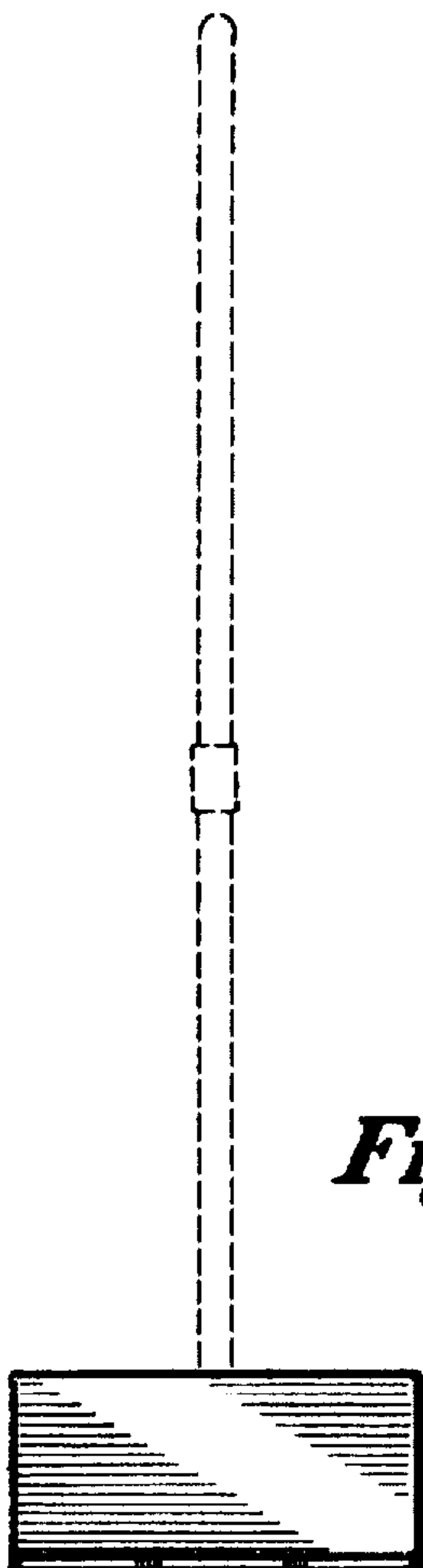


Fig 5

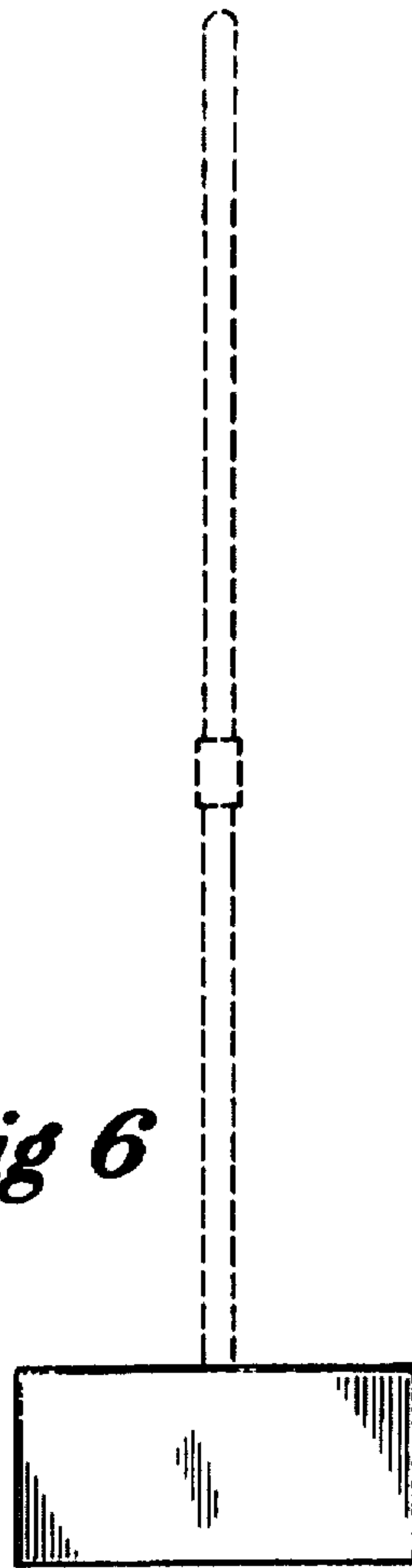


Fig 6