

US00D389795S

**United States Patent** [19]  
**Coddington**

[11] **Patent Number: Des. 389,795**  
[45] **Date of Patent: \*\*Jan. 27, 1998**

[54] **VEHICLE WHEEL FRONT FACE**  
[75] **Inventor: Boyd Coddington, Stanton, Calif.**  
[73] **Assignee: American Racing Equipment, Inc.,  
Rancho Dominguez, Calif.**  
[\*\*] **Term: 14 Years**  
[21] **Appl. No.: 52,436**  
[22] **Filed: Mar. 29, 1996**  
[51] **LOC (6) Cl. .... 12-16**  
[52] **U.S. Cl. .... D12/209**  
[58] **Field of Search .... D12/204-213;  
301/64.1, 65, 37.1**

D. 363,913 11/1995 Chung ..... D12/209  
D. 367,460 2/1996 Chung ..... D12/209  
D. 367,461 2/1996 Chung ..... D12/209  
D. 369,775 5/1996 Choi ..... D12/204  
D. 374,648 10/1996 Pfeiffer ..... D12/209  
4,645,268 2/1987 Carlson ..... 301/37.1

**OTHER PUBLICATIONS**

Wheel Information Guide (Summer 1991) American Eagle Wheel Corp.  
Amtech, Amtech Wheel Inc. (no date).  
Jobber Price Sheet (1992) Custom Wheels.  
Craggar, "The Wheel People" (no date).  
Catalogue, "Choice of the Motorsport Generation" (1992).  
Enkei, "One Step Ahead", Golden Wheel Corp. (no date).  
Epic Wheels, "Extending Beyond the Ordinary" (1992).  
Formula (no date).  
Warehouse Distributor Price List (Mar. 8, 1991) Keystone. Optima (no date).  
Primax Wheel Corp. (no date).  
Prime (no date).  
Catalog Progressive, "Make The Move To Progressive" (1991).  
Catalogue, Pure Custom Wheels, (1992).  
"Express Yourself", Autotrend (no date).

(List continued on next page.)

*Primary Examiner*—James Gandy  
*Assistant Examiner*—Stacia Sinuik  
*Attorney, Agent, or Firm*—Thompson Hine & Flory LLP

[56] **References Cited**  
**U.S. PATENT DOCUMENTS**

D. 169,011 3/1953 Lyon ..... D12/205 X  
D. 176,544 1/1956 Lyon ..... D14/30  
D. 194,100 11/1962 Mashigan ..... D12/205 X  
D. 232,432 8/1974 Clary ..... D12/209  
D. 248,295 6/1978 Day et al. .... D12/206  
D. 272,431 1/1984 Hedlund ..... D12/211  
D. 292,568 11/1987 Cafaro et al. .... D12/209  
D. 292,691 11/1987 Envall ..... D12/206  
D. 292,693 11/1987 Cattaneo ..... D12/211  
D. 300,422 3/1989 Schinella ..... D12/209  
D. 303,240 9/1989 Frassetto ..... D12/206  
D. 318,449 7/1991 Lipper ..... D12/211  
D. 323,806 2/1992 Stewart ..... D12/209  
D. 329,416 9/1992 Braungart et al. .... D12/209  
D. 334,730 4/1993 Chung ..... D12/209  
D. 337,564 7/1993 Envall ..... D12/209  
D. 337,565 7/1993 Envall ..... D12/209  
D. 339,316 9/1993 Chung ..... D12/209  
D. 339,317 9/1993 Chung ..... D12/209  
D. 339,561 9/1993 Maiworm et al. .... D12/211  
D. 351,581 10/1994 Chung ..... D12/209  
D. 351,582 10/1994 Echazabel et al. .... D12/209  
D. 351,821 10/1994 Oka ..... D12/209  
D. 360,866 8/1995 Echazabal et al. .... D12/209  
D. 363,457 10/1995 Coddington ..... D12/701  
D. 363,910 11/1995 Chung ..... D12/209  
D. 363,911 11/1995 Chung ..... D12/209  
D. 363,912 11/1995 Chung ..... D12/209

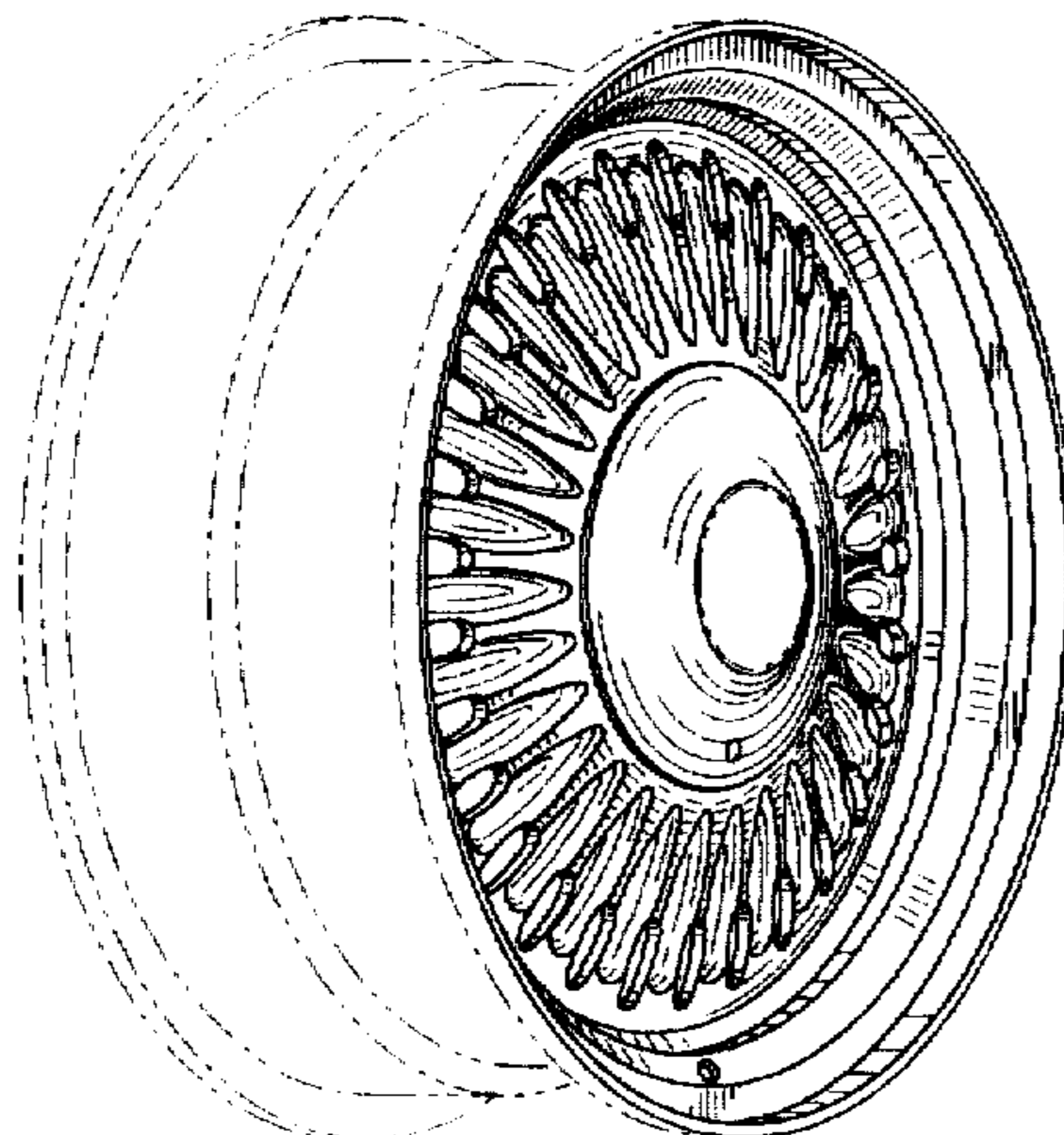
[57] **CLAIM**

The ornamental design for a vehicle wheel front face, as shown and described.

**DESCRIPTION**

FIG. 1 is a front perspective view of my new vehicle wheel front face; and,  
FIG. 2 is a front elevational view thereof.  
The broken lines shown in FIG. 1 and in the central hub area of FIG. 2 of the drawings are for illustrative purposes only and the subject matter depicted thereby constitutes no part of the claimed design.

**1 Claim, 1 Drawing Sheet**



OTHER PUBLICATIONS

"Driven To Be The Best", Sendel Performance Alloy Wheels (no date).

Sec (no date).

Spectrum Custom Wheels, DNA Specialty Inc. (no date).

Wheels, Billet Specialties Inc. (no date).

American Racing Equipment, Custom Wheels, (Spring '94).

Enkei, Golden Wheel Corp. (no date).

Billet Wheels, Billet Specialties Inc. (no date).

Ultra Custom Wheels (no date).

Funsa, Custom Wheel and Tire Style Guide, p. 31 (Type V3 Hiro-V3) (1993).

1989 Tread Desgn Guide, p. 86, Enkei 84 Series (top left of page).

1989 Tread Design Guide, p. 87, Et. Airflow Dular (far right, second down).

Tire Review, Jun. 1991, Custom Wheel & Tire Style Guide Supplement p. 15.

Tire Review, May 1992, Custom Wheel & Tire Style Guide Supplement p. 17.

Tire Review, May, 1992, Custom Wheel & Tire Style Guide Supplement p.19.

Amtech Wheel Inc., Fall 1995 Pricing.

Ultra, "The Ultimate Experience".

Ultra Custom Wheels, 2nd Edition (1991).

Keystone Maglite (not date).

Tire Review, May, 1993, Cwtsq pp. 30 and 33.

American Racing Equipment Custom Wheels (Feb. 1, 1991).

Epic (1995) Wheel Components Inc.

Prime Wheels, "Get Primed" (no date).

Progressive, Catalog Supplement, (1991).

KMC Custom Wheels (no date).

Ronal (no date).

Pure USA (no date) Pure Custom Wheels.

Progressive Custom Wheels, "On The Edge" (no date).

Ultra Custom Wheels (1995).

CTA (no date).

Prime Wheels, Catalog (1994).

PLW, "The Image Of Success" (1995-1996).

Sec Alloy Wheels, Application Guide (Oct. 1995).

Dayton Wheel Products (no date).

The New Sec Alloy Wheels (1996).

Niche "You Saw Niche First" (no date).

Ultra Custom Wheels "Art In Motion" (1996).

The American Flyer, Amer. Racing Eqv. (Oct. 1995).

Progressive Custom Wheels (1996).

Niche Road Wheels "Corillian Truck!" (no date).



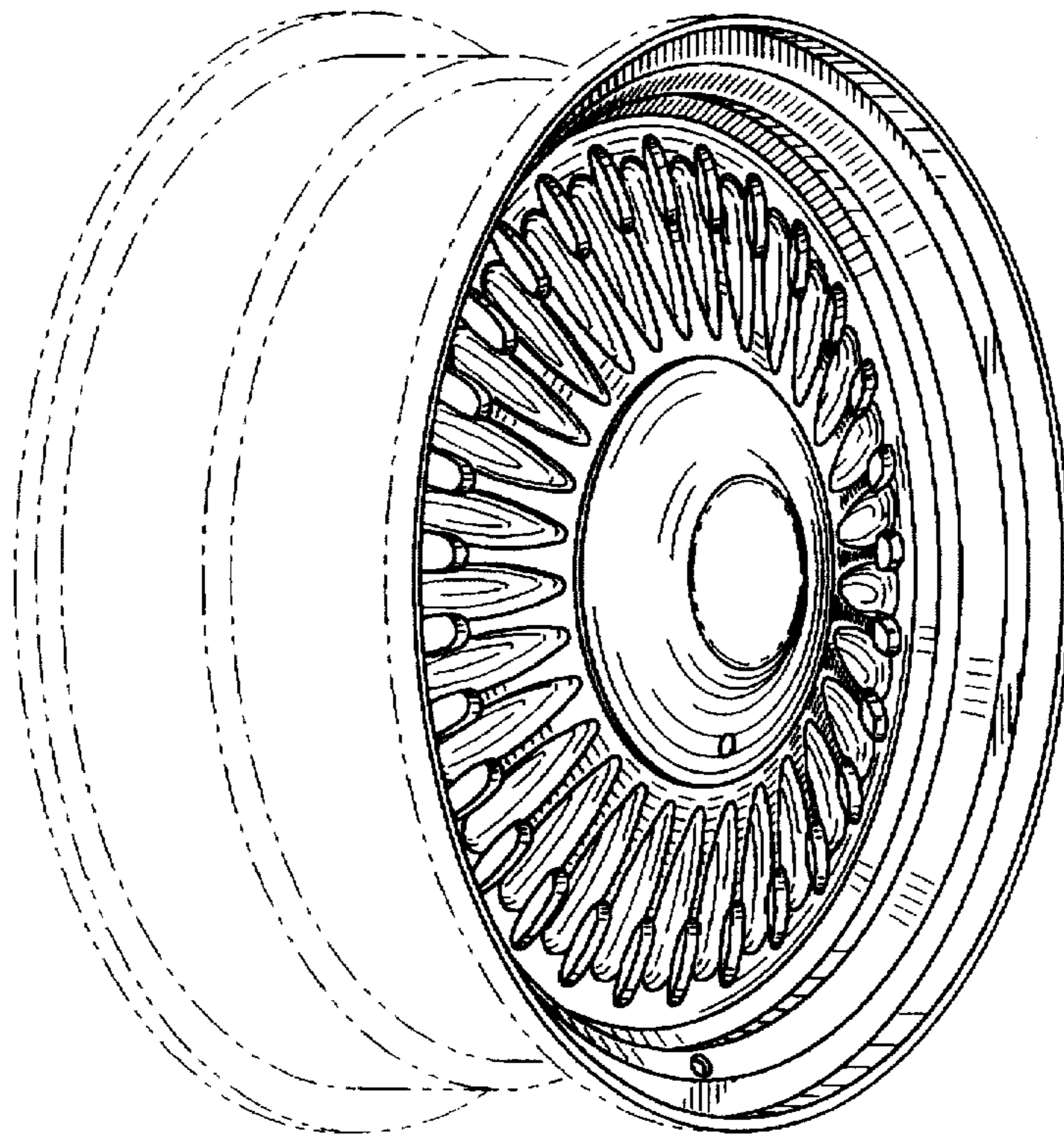


FIG. 1

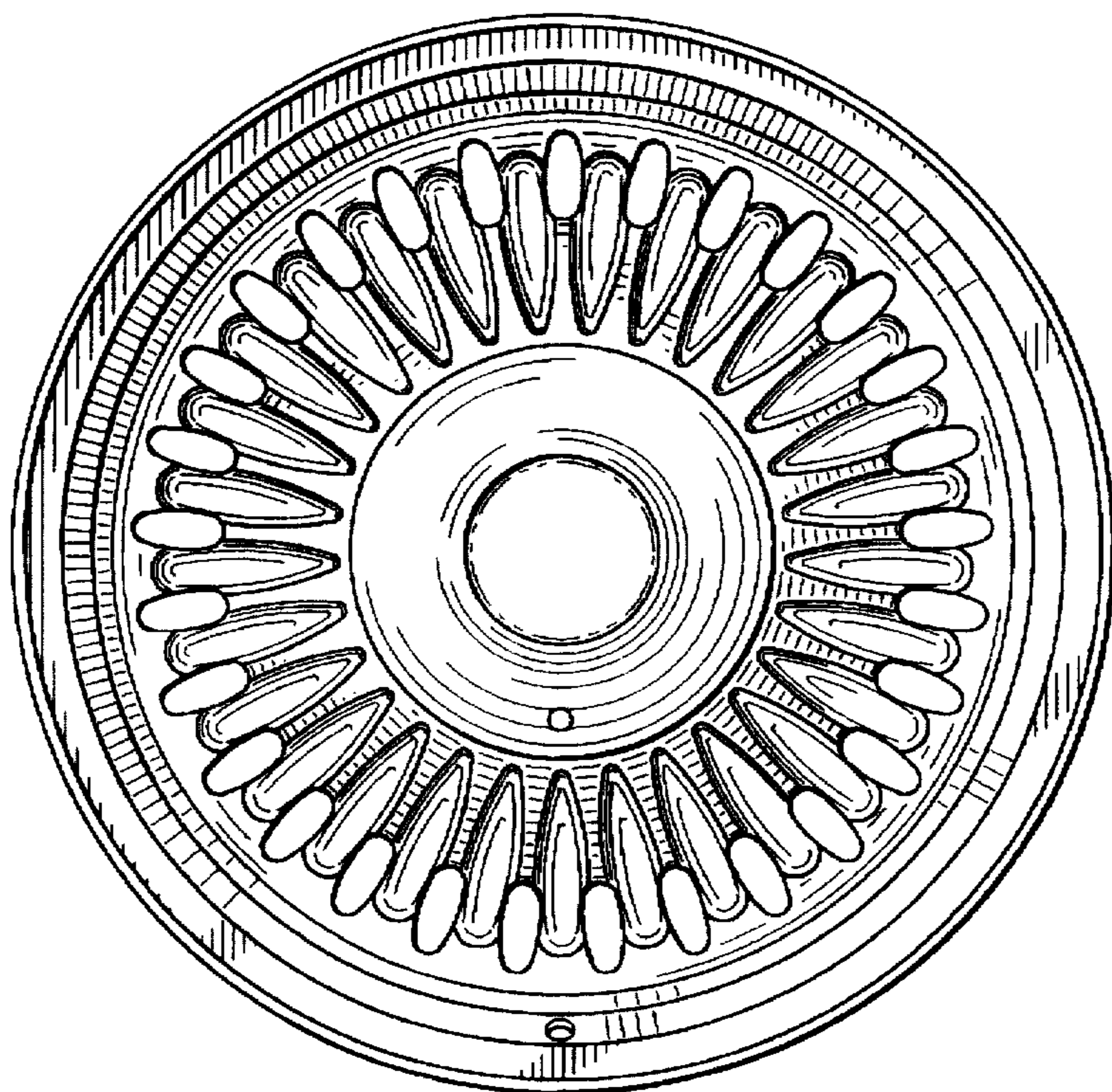


FIG. 2