



US00D389786S

United States Patent [19]
McCullum et al.

[11] **Patent Number:** **Des. 389,786**
[45] **Date of Patent:** ****Jan. 27, 1998**

[54] **TRAILER FENDER WITH LIGHTS**

D. 314,735 2/1991 Godbersen D12/106
D. 369,328 4/1996 Acosta D12/101

[75] Inventors: **John R. McCullum**, Mount Pleasant;
Jerry Clay, Sr., Fort Worth, both of
Tex.

Primary Examiner—Melody N. Brown
Attorney, Agent, or Firm—Guy V. Manning

[73] Assignee: **Best Fender Products, Inc.**, Mount
Pleasant, Tex.

[57] **CLAIM**

[**] Term: **14 Years**

The ornamental design for a trailer fender with lights, as
shown and described.

[21] Appl. No.: **63,755**

DESCRIPTION

[22] Filed: **Dec. 16, 1996**

[51] **LOC (6) Cl.** **12-10**

[52] **U.S. Cl.** **D12/106**

[58] **Field of Search** D12/106, 101,
D12/186; 280/847, 851, 160, 63, 656, 414.1

FIG. 1 is a perspective view of a trailer fender with lights
showing our new design, the broken lines are shown for
illustrative purposes only and form no part of the claimed
design;

FIG. 2 is a top plan view thereof;

FIG. 3 is a bottom view thereof;

FIG. 4 is a left side elevational view thereof;

FIG. 5 is a right side elevational view thereof;

FIG. 6 is a rear elevational view thereof; and,

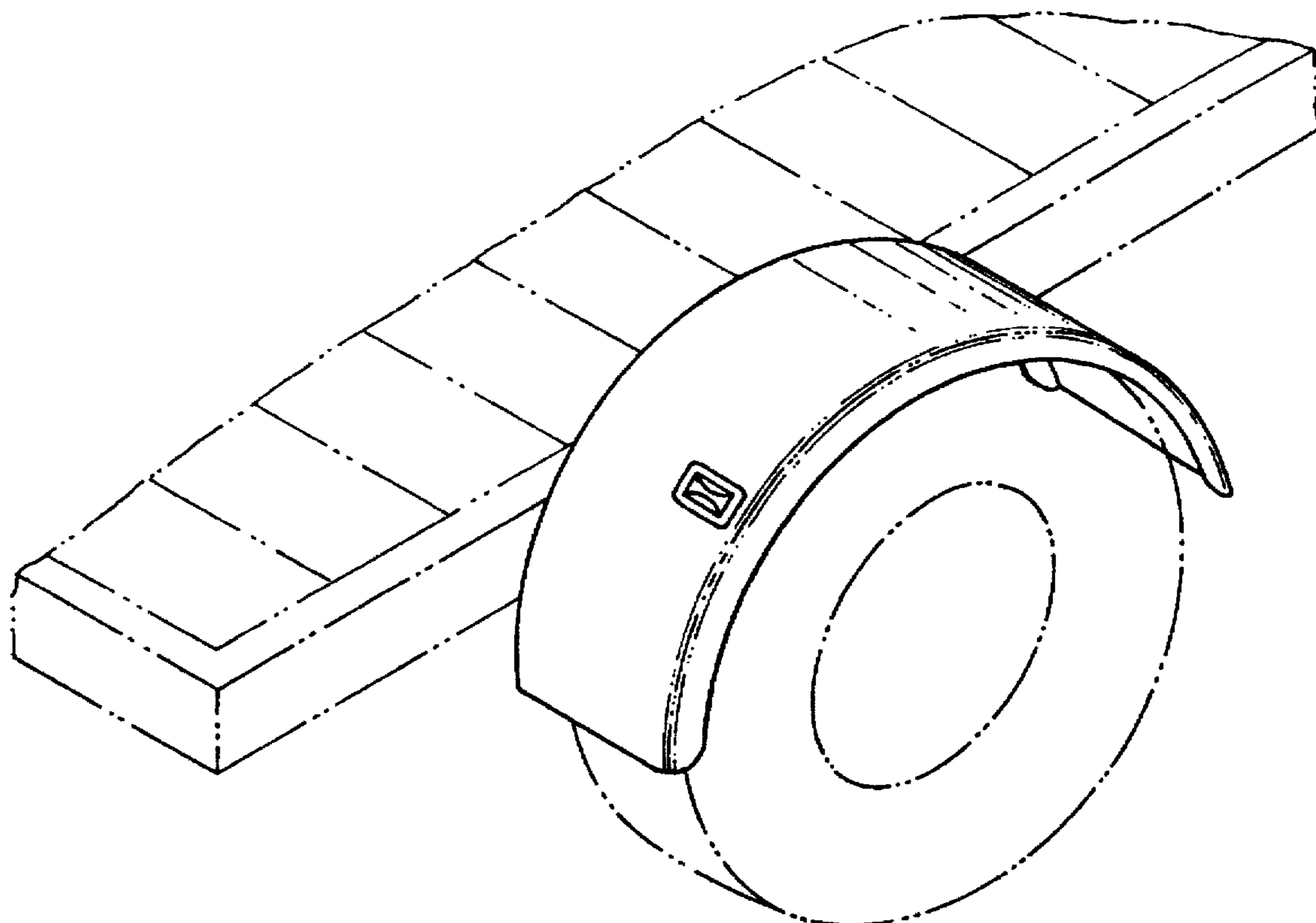
FIG. 7 is a front elevational view thereof.

[56] **References Cited**

U.S. PATENT DOCUMENTS

D. 246,645 12/1977 Petty D12/186
D. 308,953 7/1990 Godbersen D12/106

1 Claim, 2 Drawing Sheets



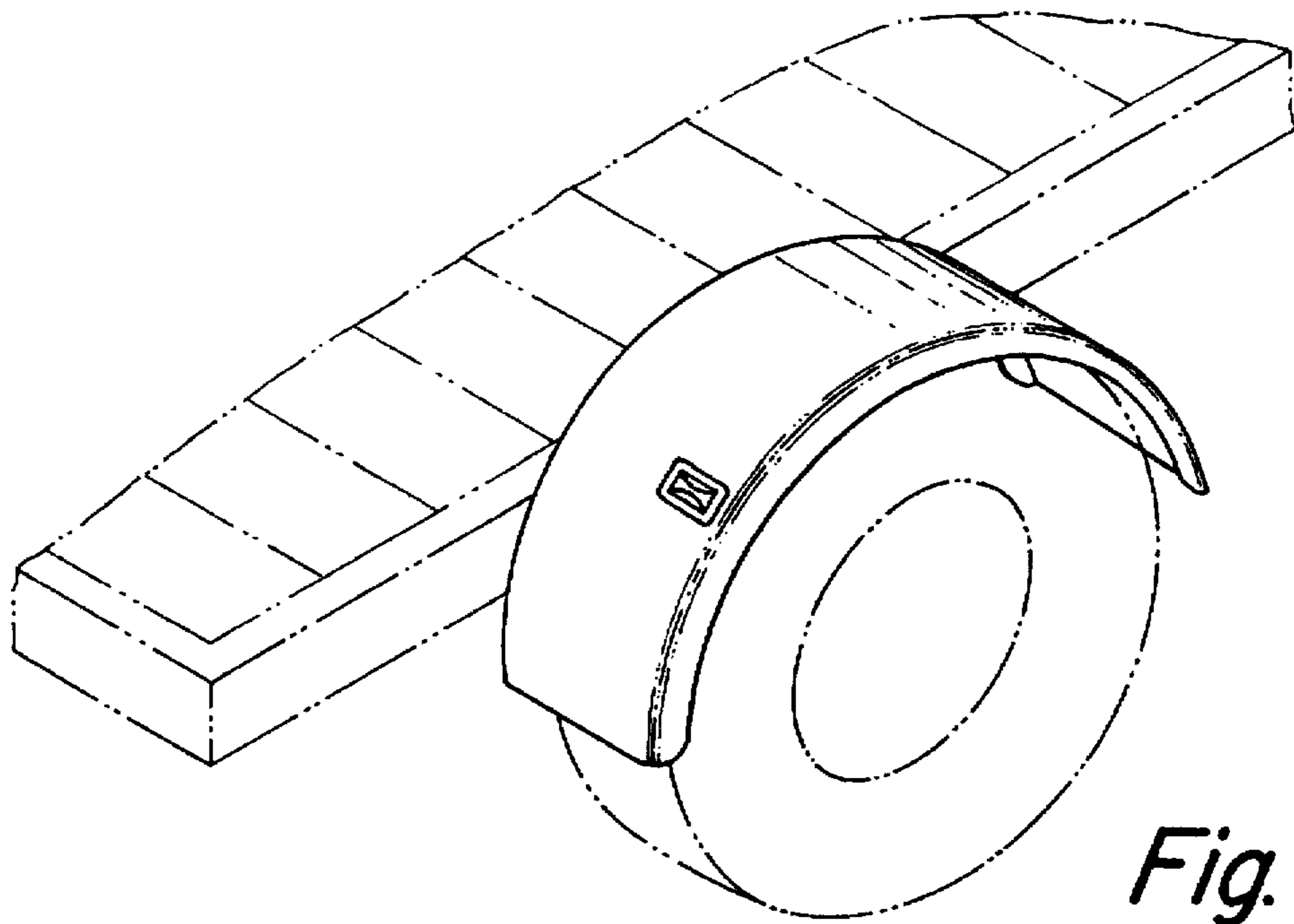


Fig. 1

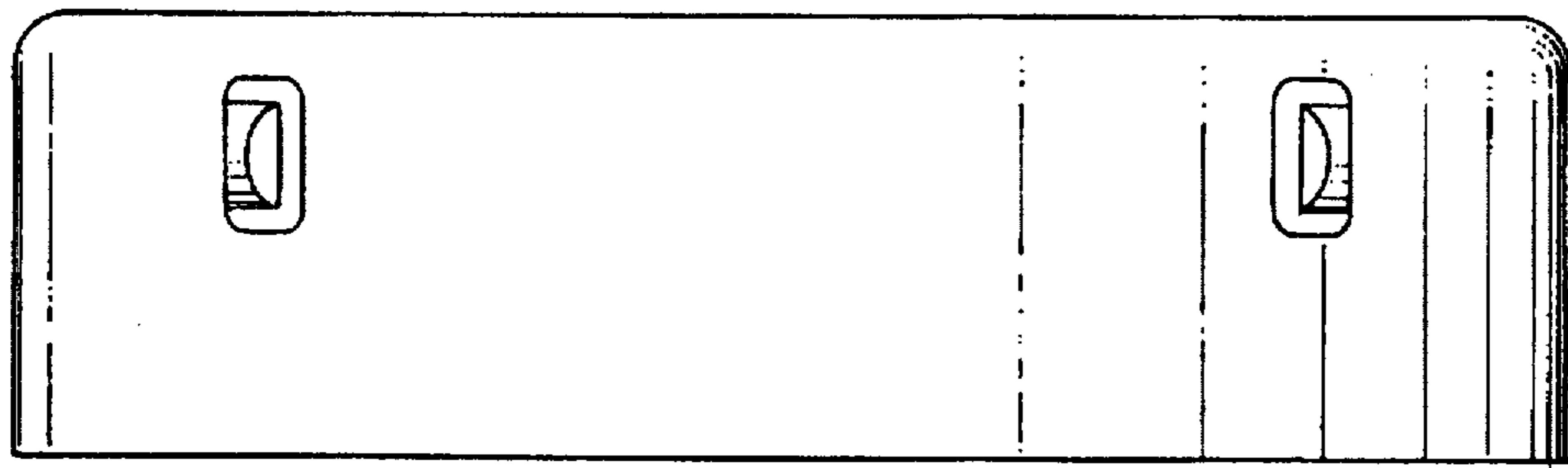


Fig. 2

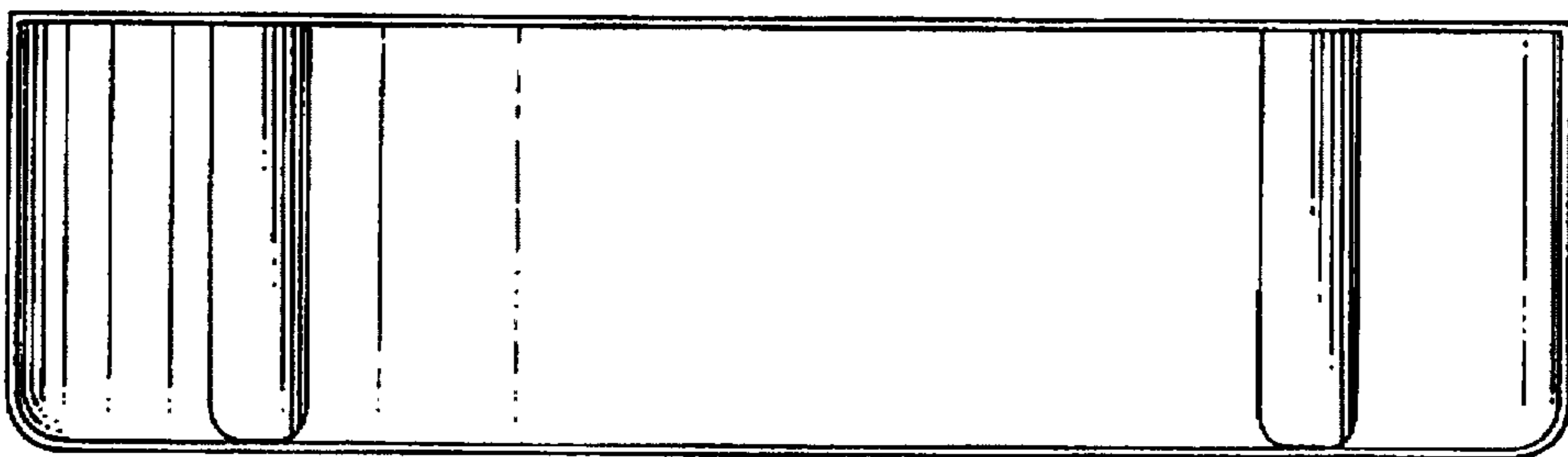


Fig. 3

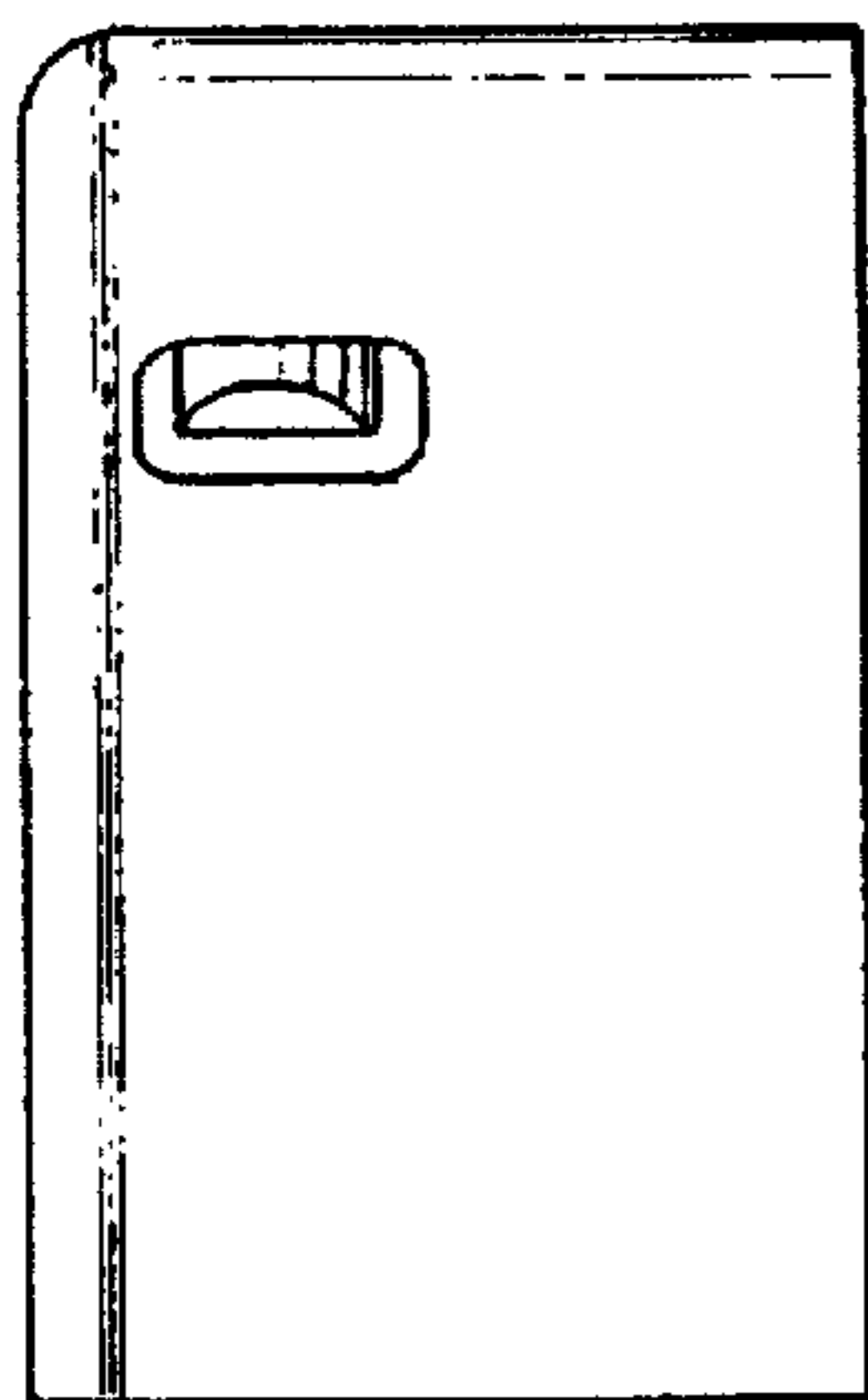


Fig. 4

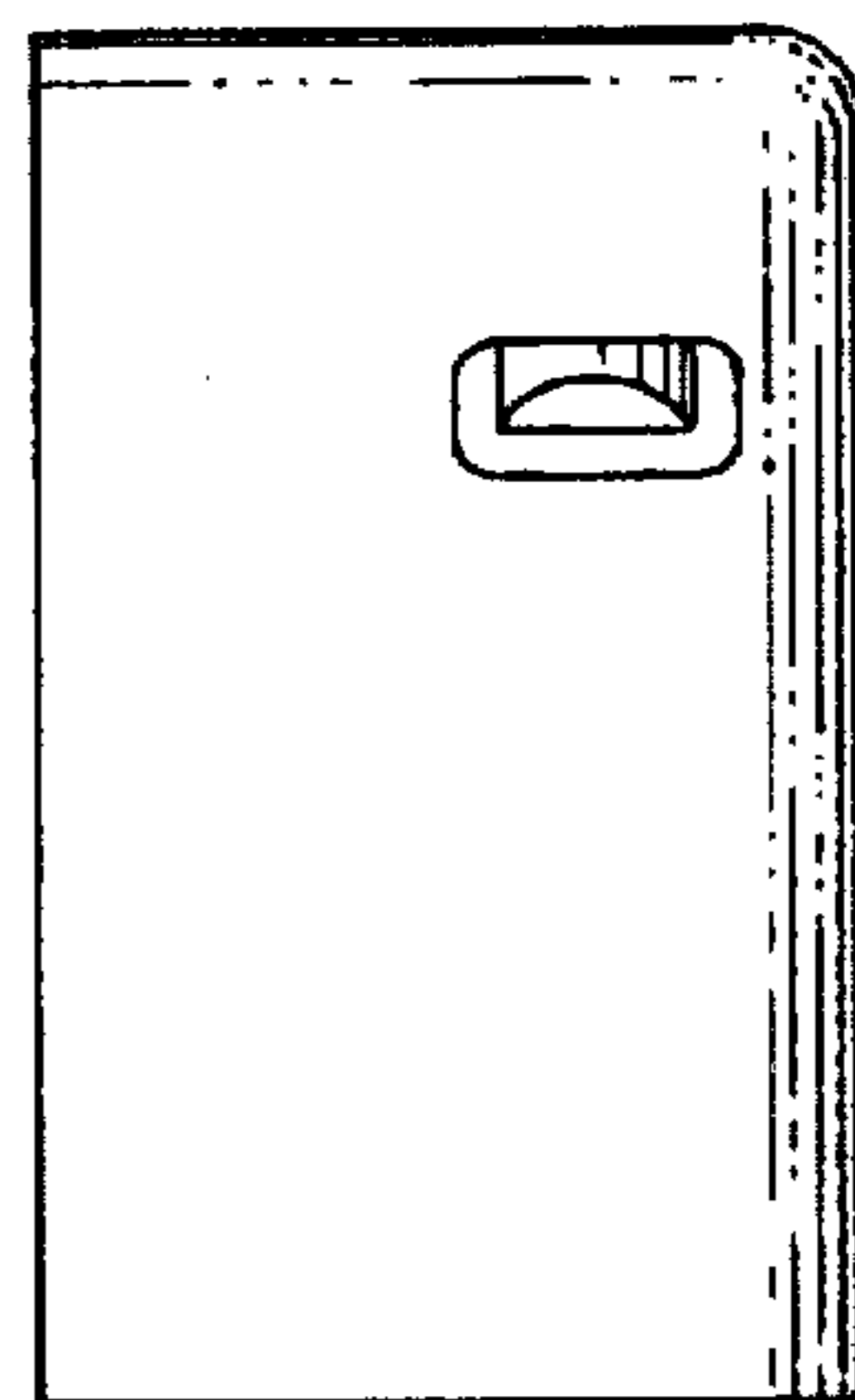


Fig. 5

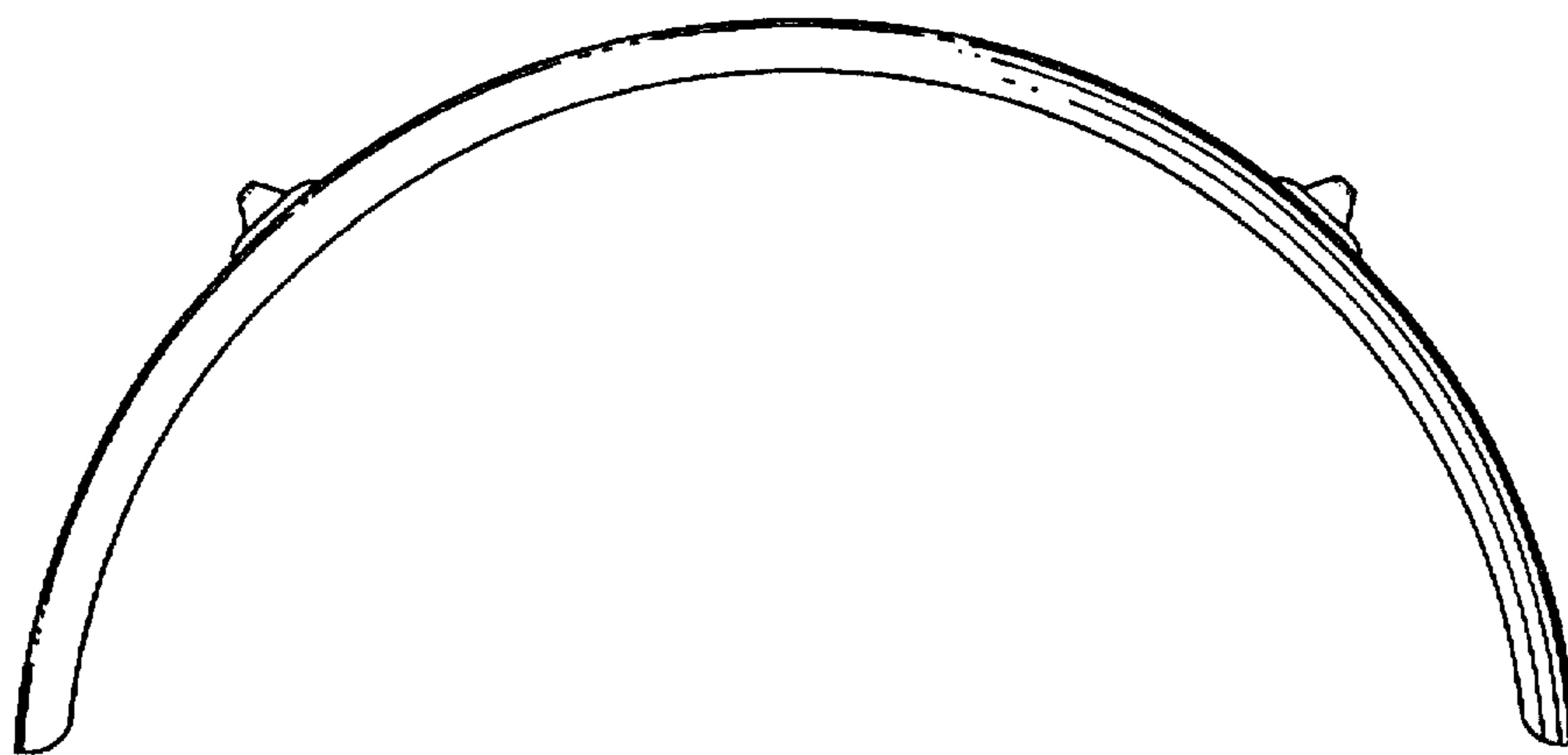


Fig. 6

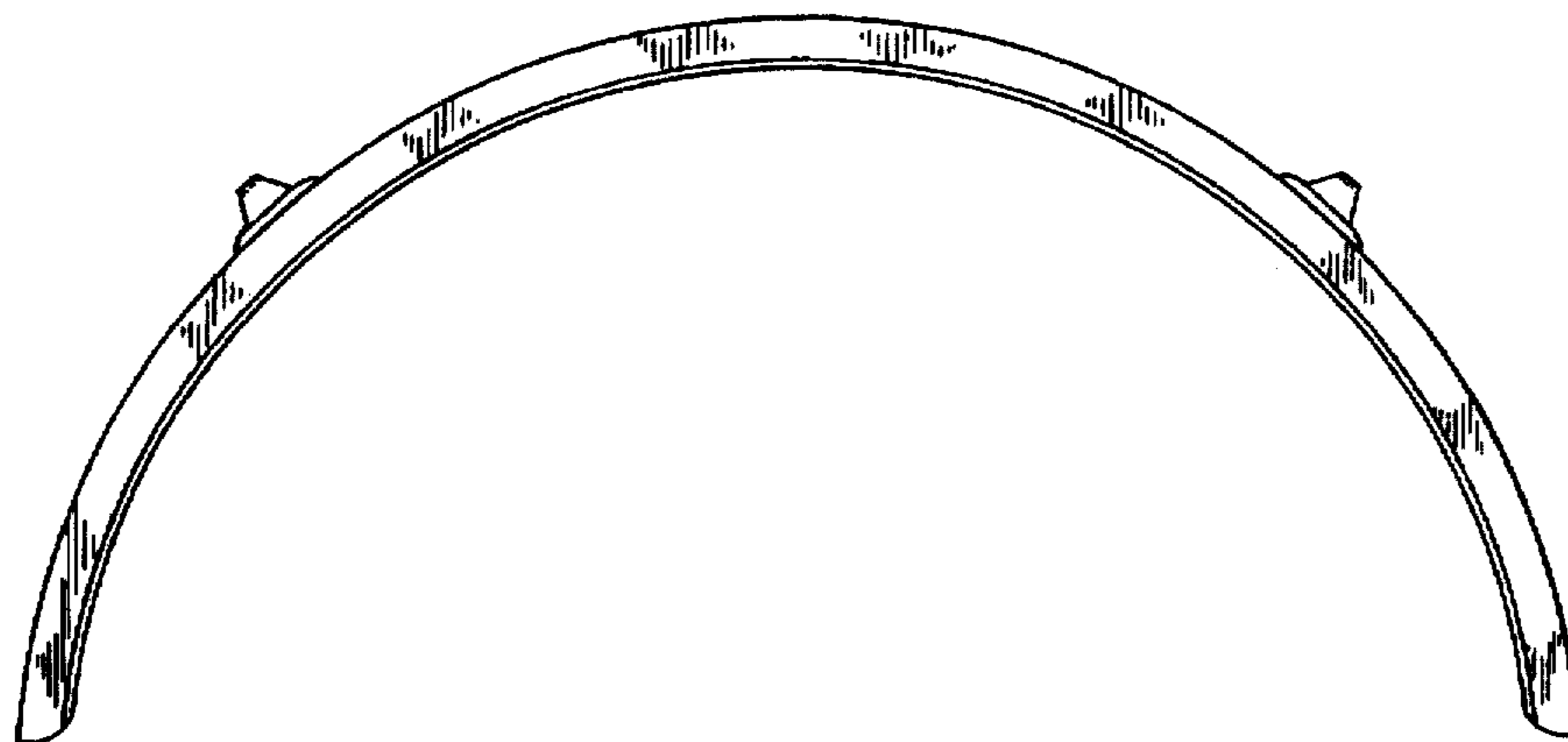


Fig. 7