



US00D389782S

United States Patent [19]

Scott et al.

[11] Patent Number: **Des. 389,782**

[45] Date of Patent: ****Jan. 27, 1998**

[54] **ROBOTIC GOLF BAG CARRYING CART**

5,350,982 9/1994 Seif 280/DIG. 5
5,375,673 12/1994 McCall et al. 280/DIG. 5

[75] Inventors: **William Scott**, Palo Alto; **Bruce Schena**, Menlo Park, both of Calif.

Primary Examiner—Melody N. Brown
Attorney, Agent, or Firm—Flehr Hohbach Test Albritton & Herbert

[73] Assignee: **GolfPro International, Inc.**, Santa Clara, Calif.

[**] Term: **14 Years**

[57] **CLAIM**

The ornamental design for a robotic golf bag carrying cart, as shown and described.

[21] Appl. No.: **41,607**

DESCRIPTION

[22] Filed: **Jul. 19, 1995**

[51] LOC (6) Cl. **12-02**

[52] U.S. Cl. **D12/16**

[58] Field of Search D12/1, 16, 14,
D12/85; 280/DIG. 5; 180/211, 215, 19.1-19.3

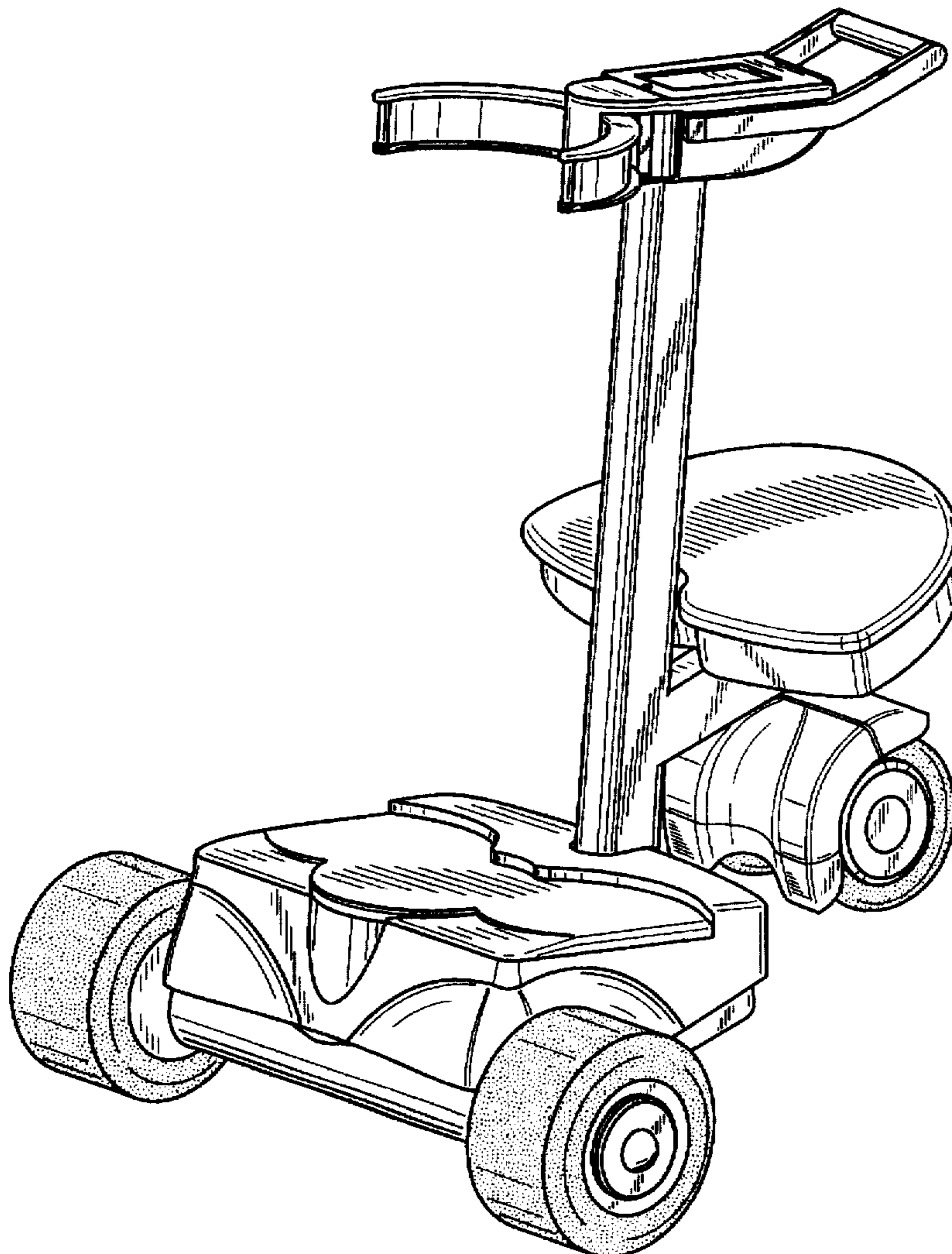
FIG. 1 is a front, top perspective view of a robotic golf bag carrying cart showing our new design;
FIG. 2 is a rear, top perspective view thereof;
FIG. 3 is a front elevation view thereof;
FIG. 4 is a rear elevation view thereof;
FIG. 5 is a side elevation view of one side thereof;
FIG. 6 is a side elevation view of the other side thereof;
FIG. 7 is a top plan view thereof; and
FIG. 8 is a bottom plan view thereof.

[56] **References Cited**

U.S. PATENT DOCUMENTS

D. 355,148 2/1995 Orsolini D12/1
4,874,055 10/1989 Beer 280/DIG. 5

1 Claim, 8 Drawing Sheets



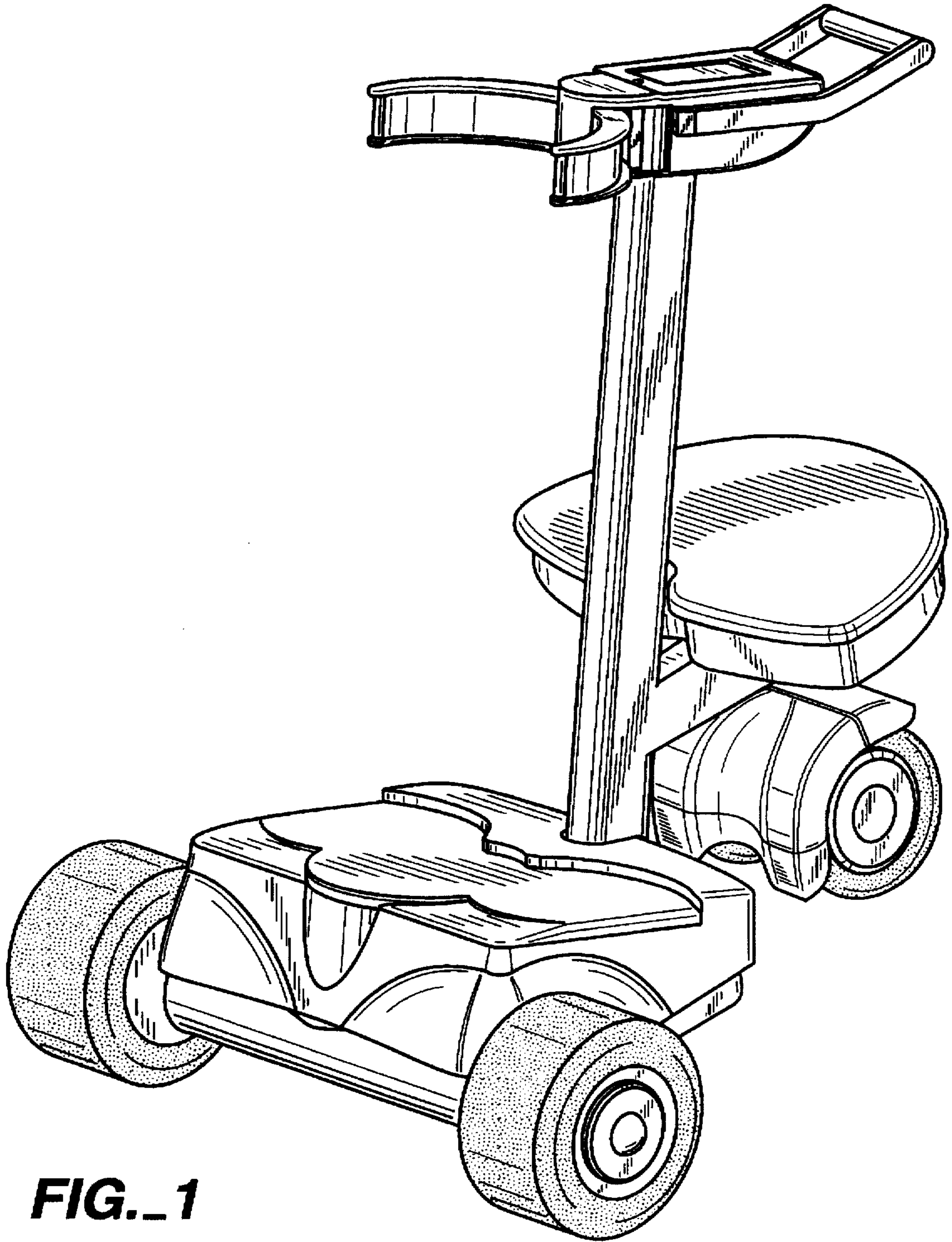


FIG. 1

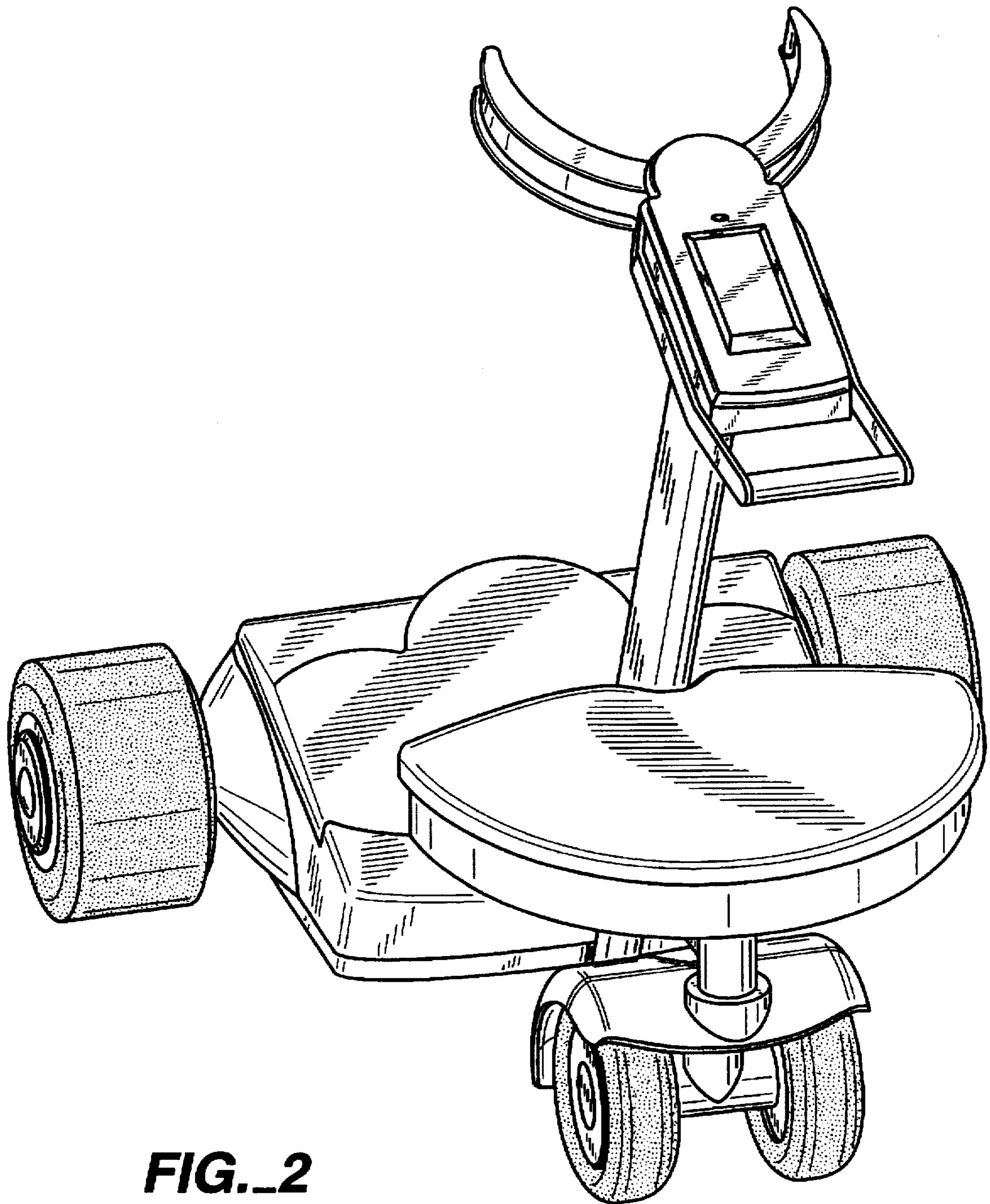


FIG. 2

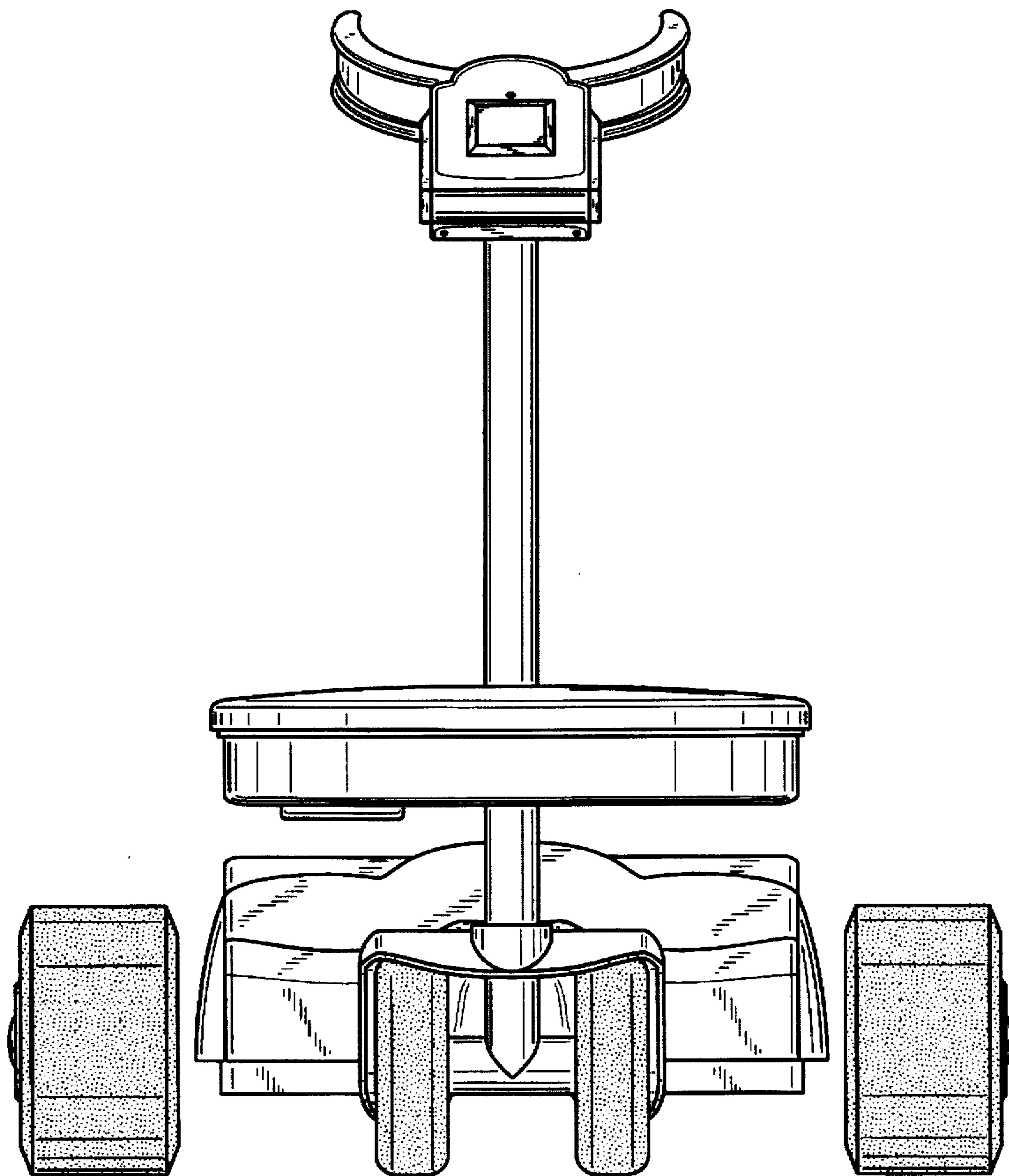


FIG. 3

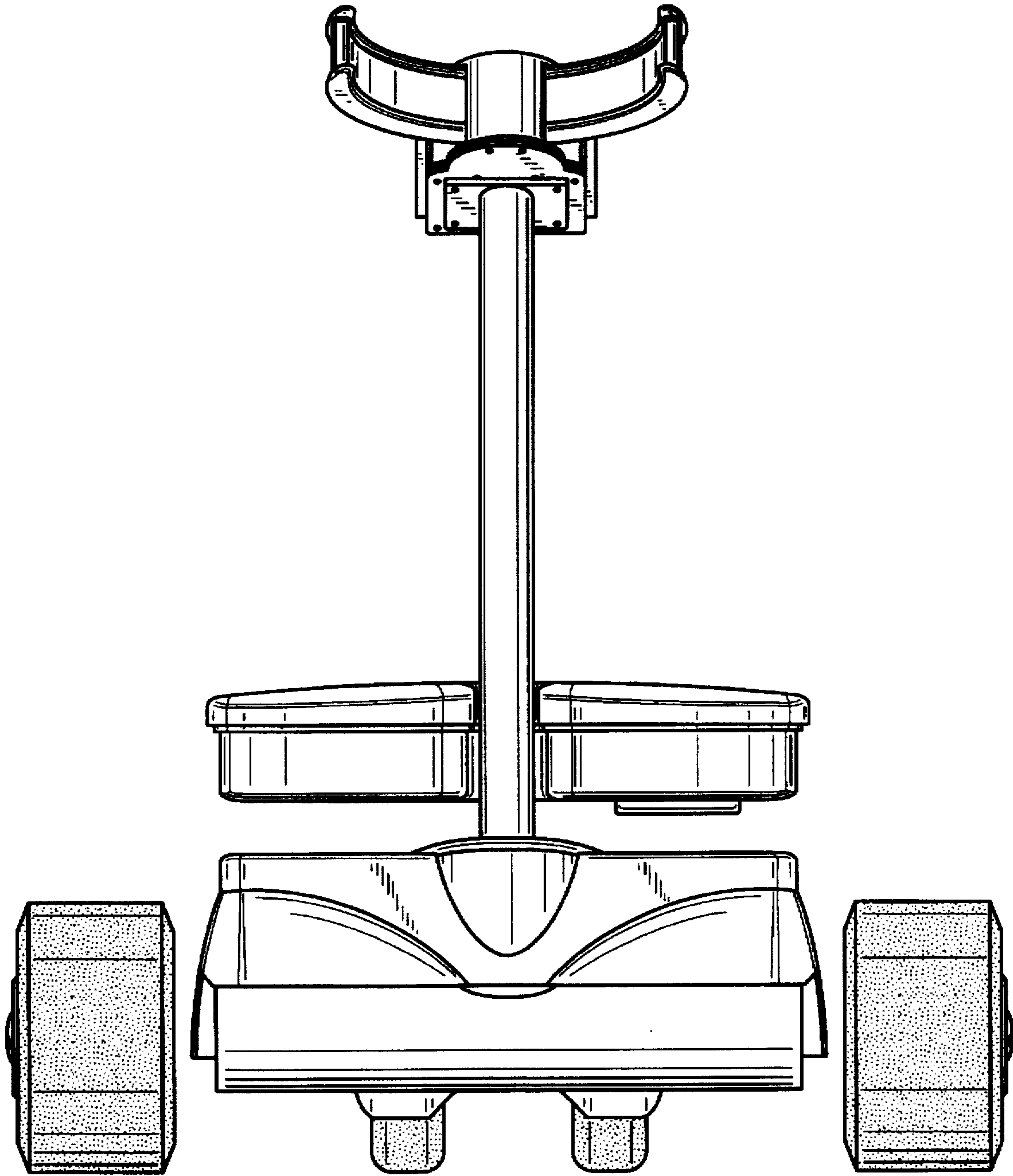


FIG. 4

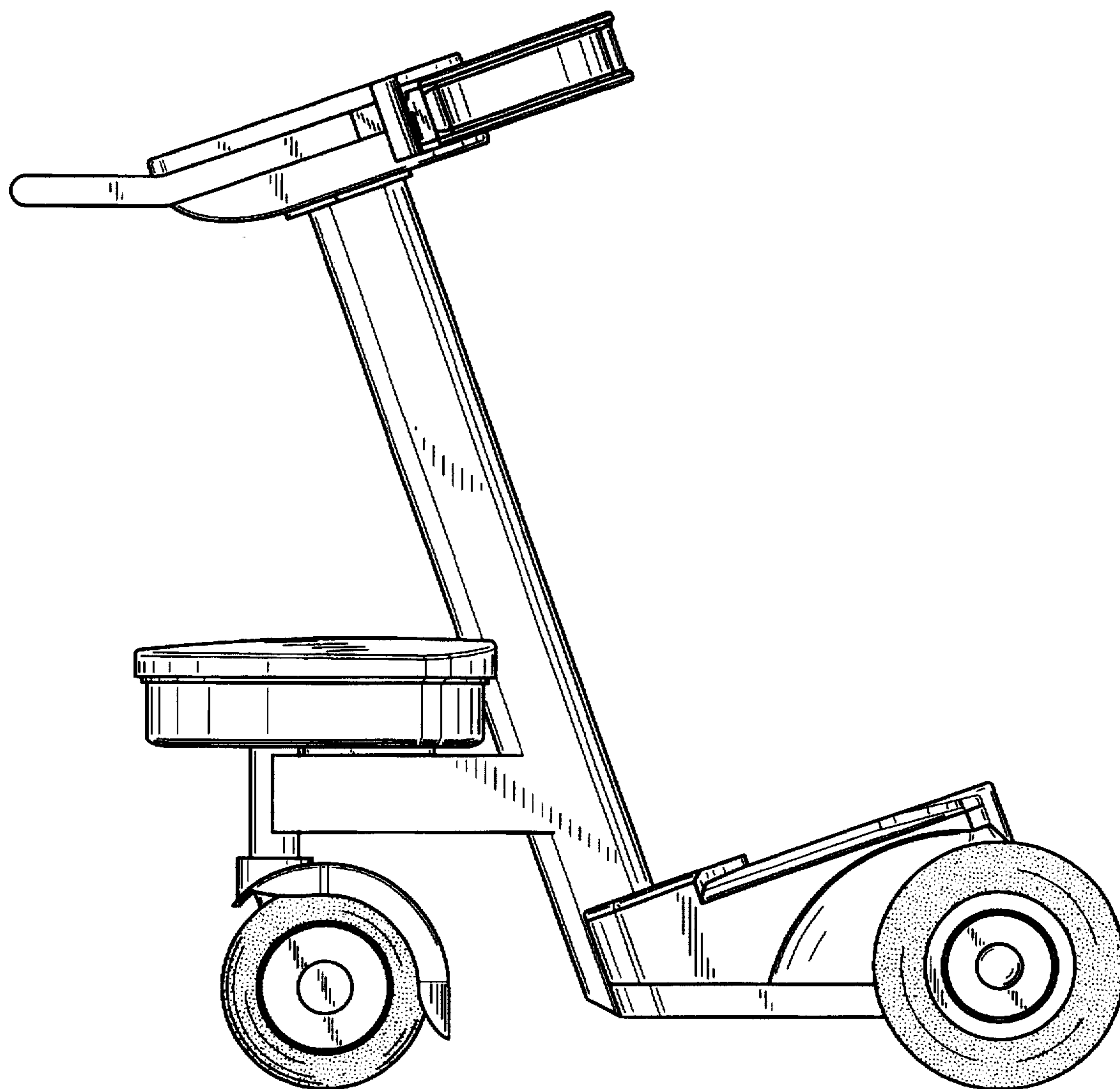


FIG. 5

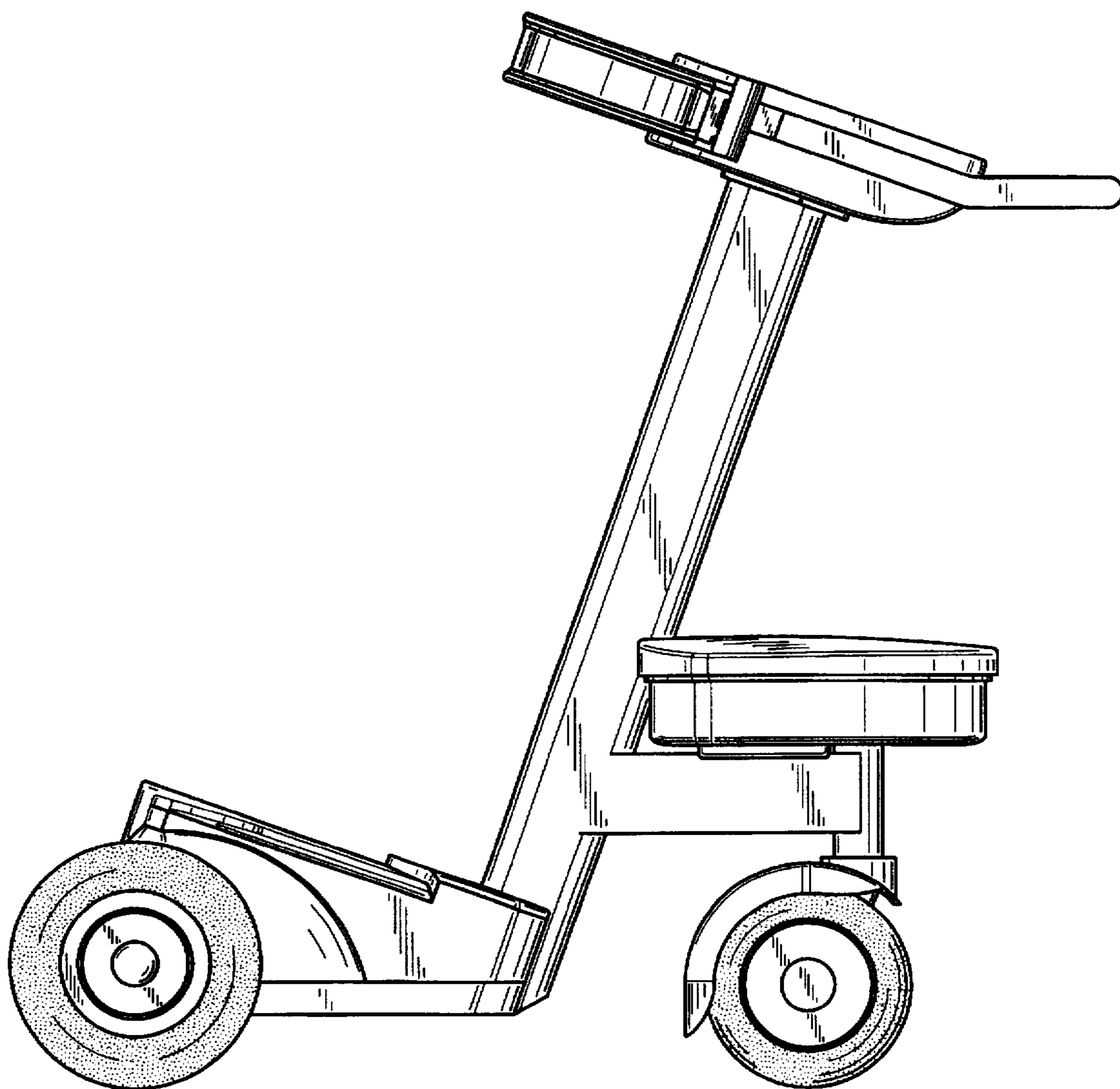


FIG. 6

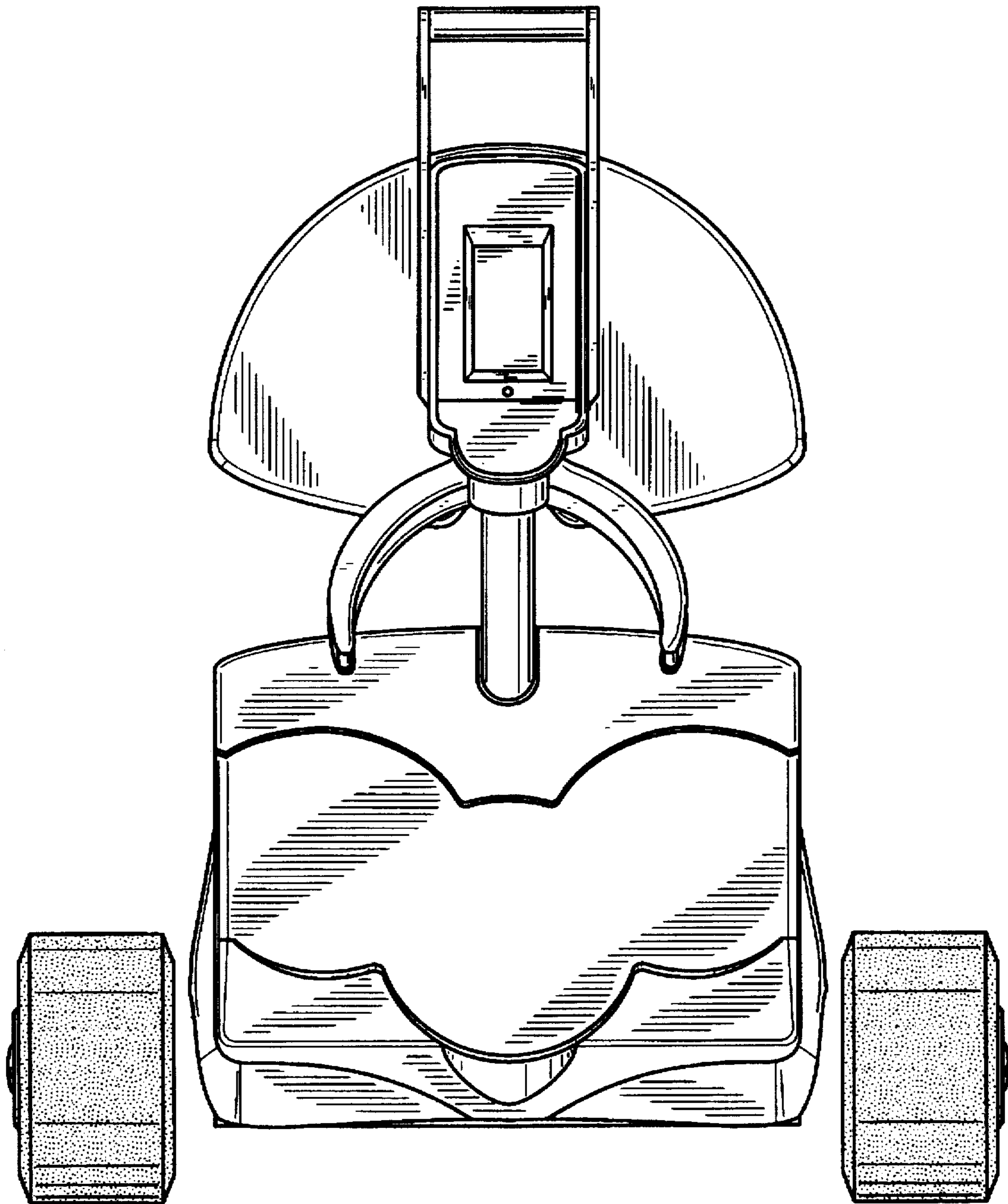


FIG. 7

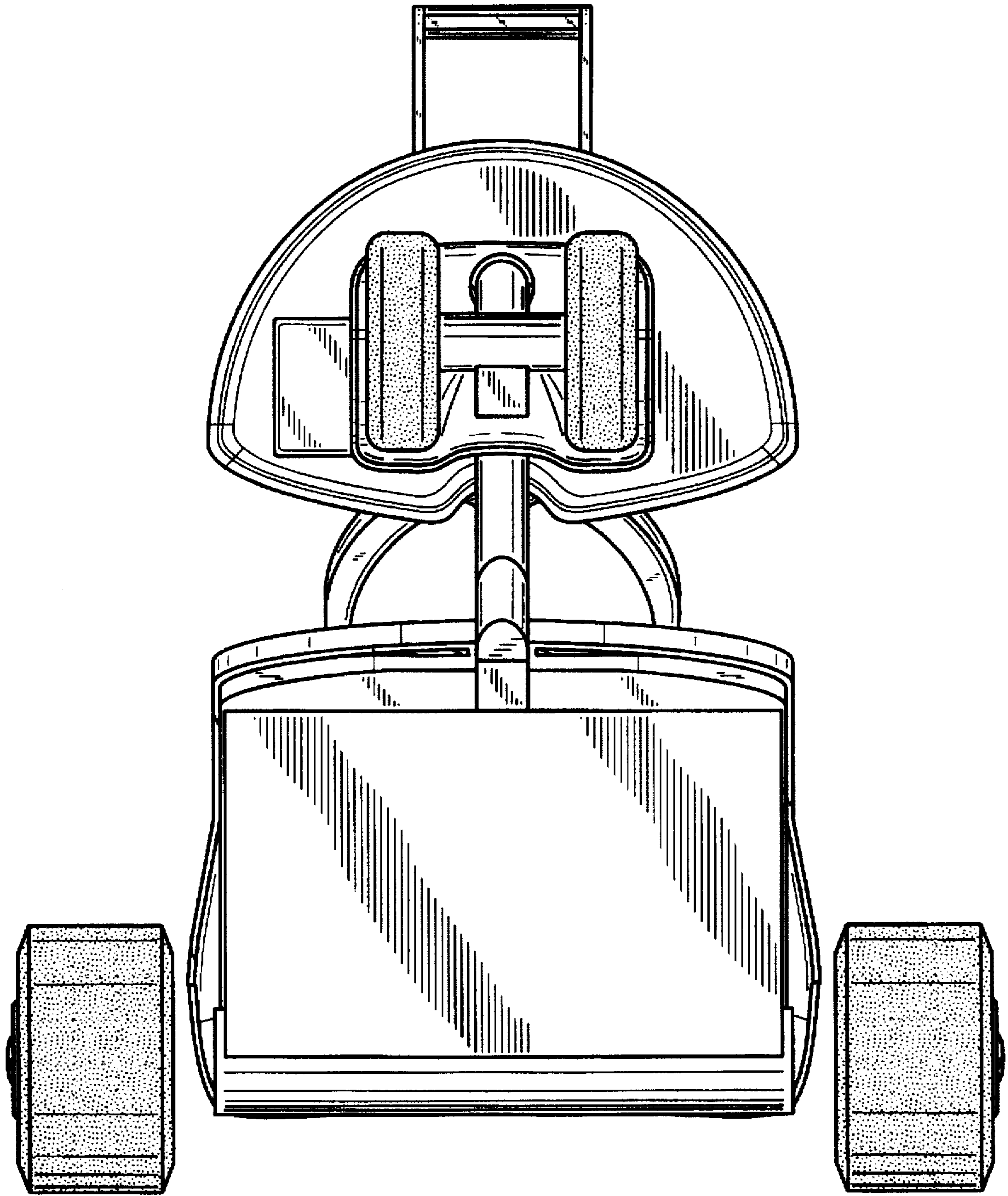


FIG. 8