



US00D389779S

# United States Patent [19]

[11] Patent Number: **Des. 389,779**

**Poynter**

[45] Date of Patent: **\*\*Jan. 27, 1998**

[54] **BUCKLE ASSEMBLY FOR STRAP SHORTENING**  
[76] Inventor: **Rodney Poynter**, 927 Park Ave., Newport, Ky. 41071

3,795,947	3/1974	Thompson	24/321
3,876,249	4/1975	Nilsson	24/323
4,052,772	10/1977	Tolfsen	24/163 FC
4,299,014	11/1981	Wood	24/196
4,962,572	10/1990	Prentkowski	24/323
5,600,875	2/1997	Chang	24/200

[\*\*] Term: **14 Years**

*Primary Examiner*—Ralf Seifert  
*Attorney, Agent, or Firm*—Sperry, Zoda & Kane

[21] Appl. No.: **63,697**

[57] **CLAIM**

[22] Filed: **Dec. 13, 1996**

The ornamental design for a buckle assembly for strap shortening, as shown.

[51] LOC (6) Cl. .... **02-04**

[52] U.S. Cl. .... **D11/218**

[58] Field of Search ..... D11/200, 216, D11/217, 218, 212; D2/639; 24/200, 170, 196, 163 FC, 616, 323, 321

**DESCRIPTION**

[56] **References Cited**

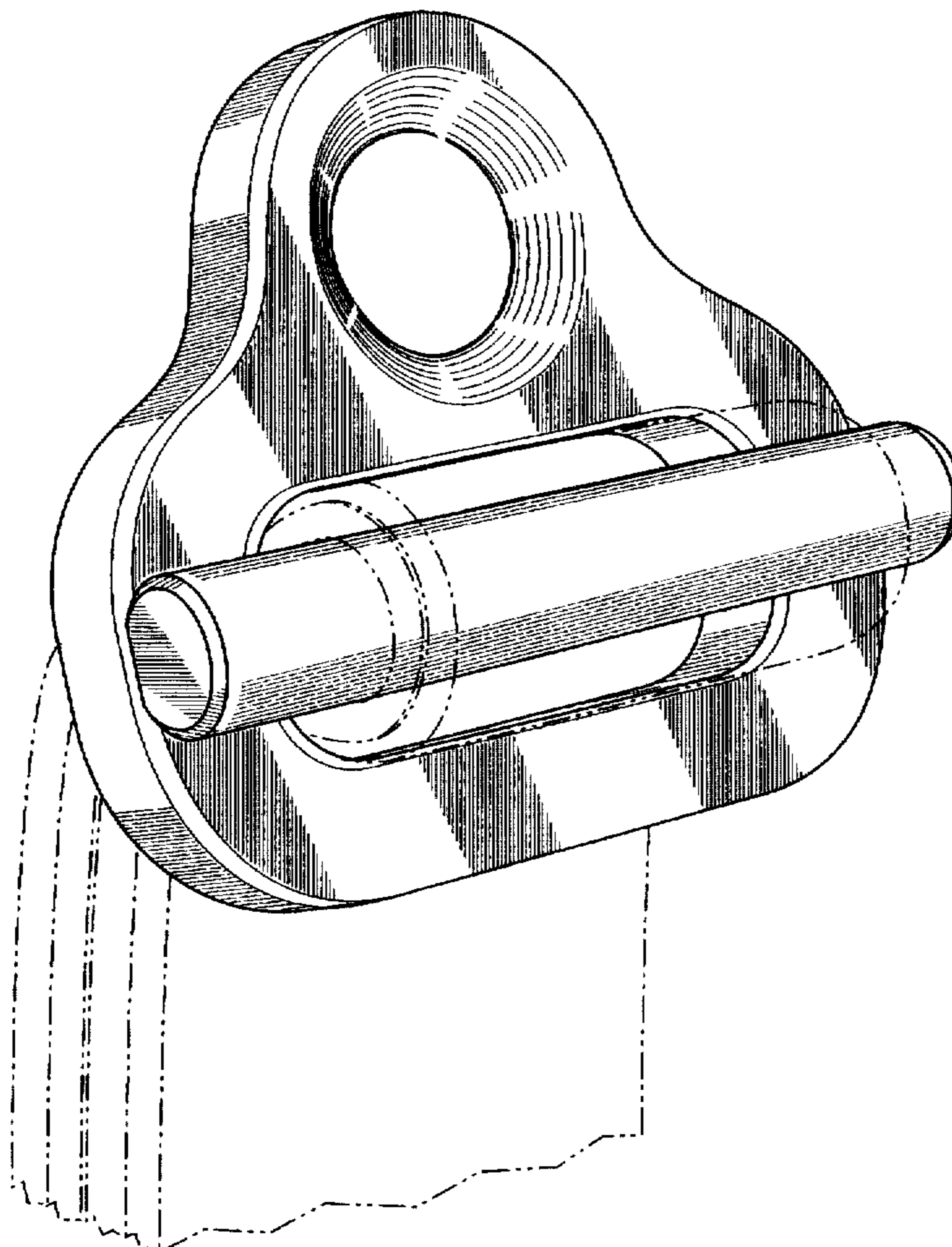
FIG. 1 is a perspective view embodying my new design; FIG. 2 is a side plan view; FIG. 3 is a top plan view; FIG. 4 is a front plan view; FIG. 5 is a bottom plan view; and, FIG. 6 is a rear plan view.

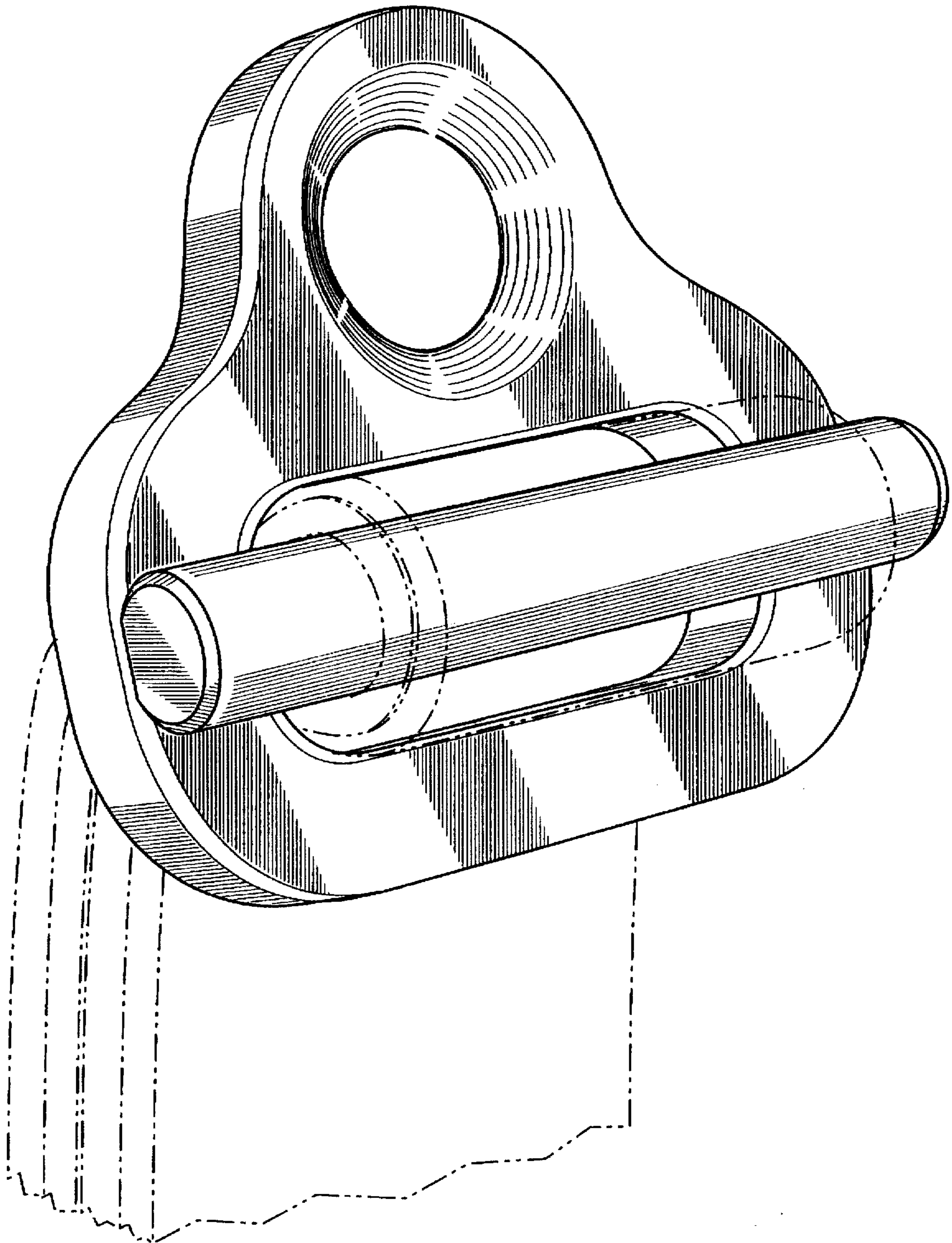
**U.S. PATENT DOCUMENTS**

D. 157,888	3/1950	Muller	D11/218
D. 364,126	11/1995	Ochiai et al.	D11/218
D. 373,975	9/1996	Anscher	D11/218
1,988,890	1/1935	Fenton	D11/212
2,271,471	1/1942	Anderson	24/321
2,754,560	7/1956	Warner et al.	24/196
2,807,852	10/1957	Rave	D11/218

The broken line showing of a belt, in FIG. 1, is for illustrative purposes only and forms no part of the claimed design.

**1 Claim, 3 Drawing Sheets**





**FIG. 1**

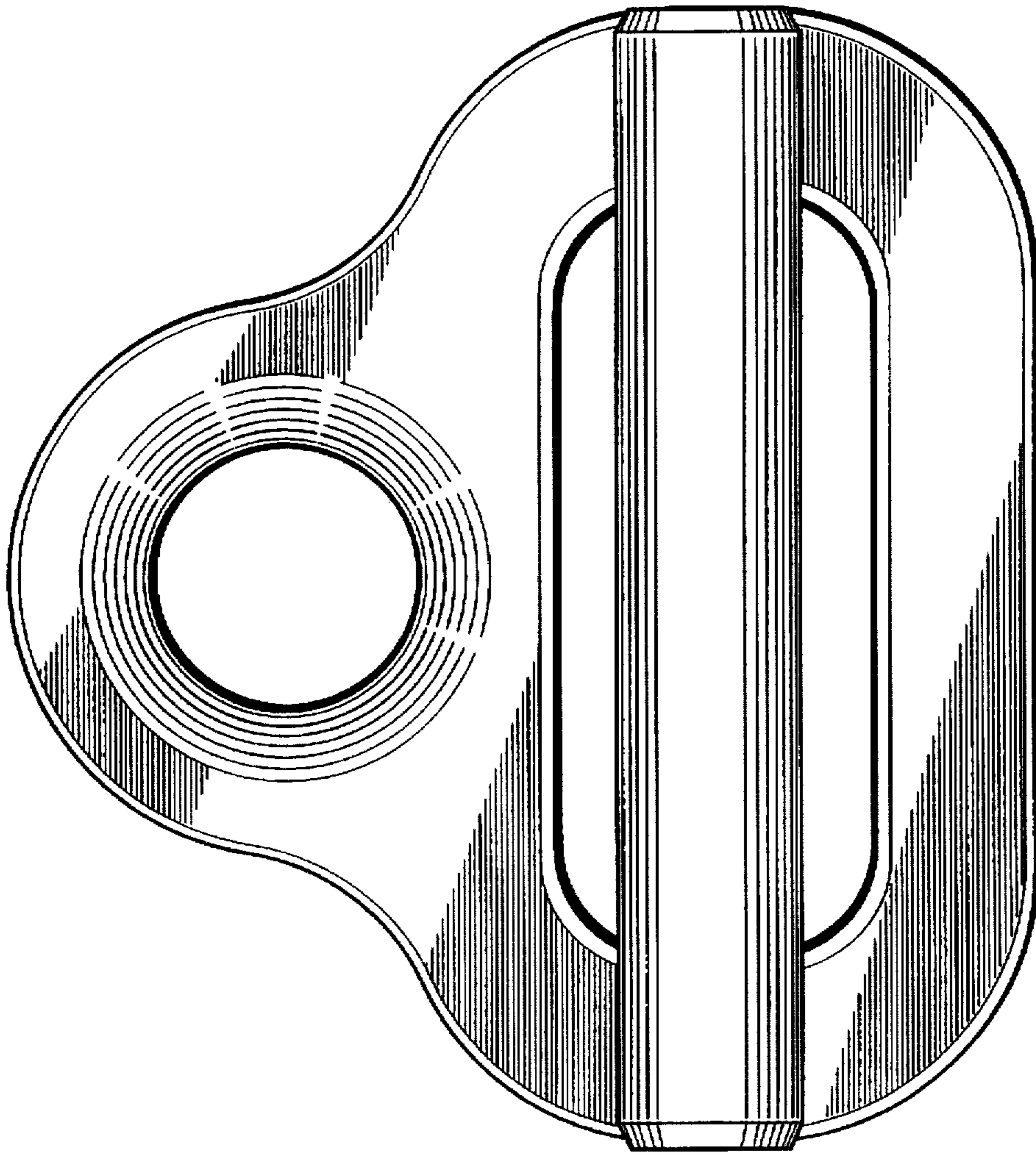


FIG. 3

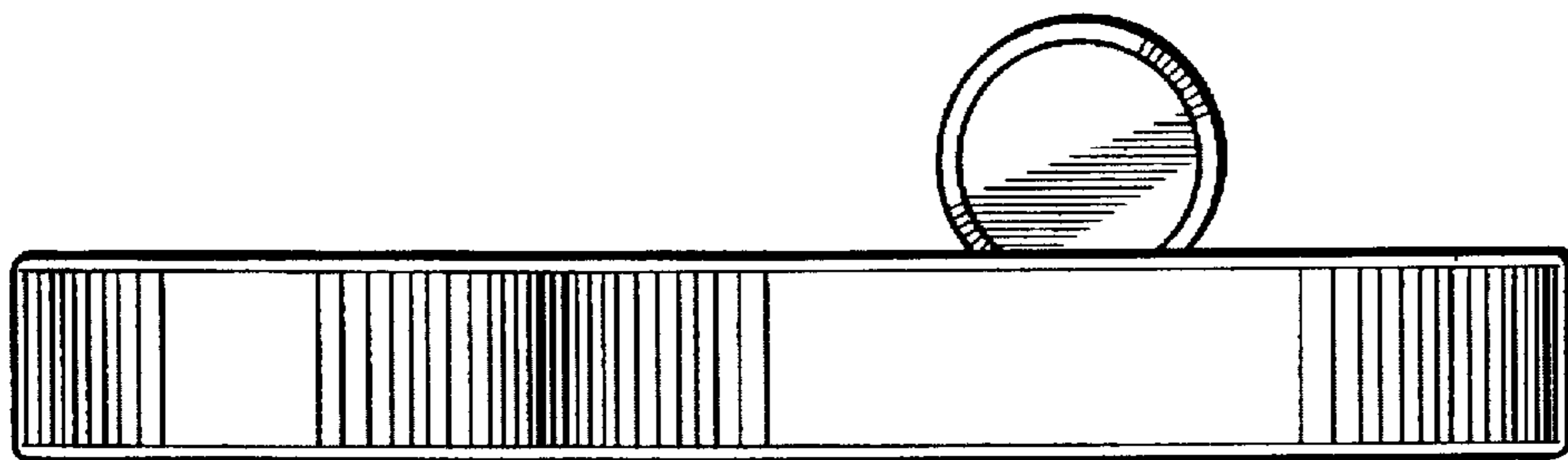
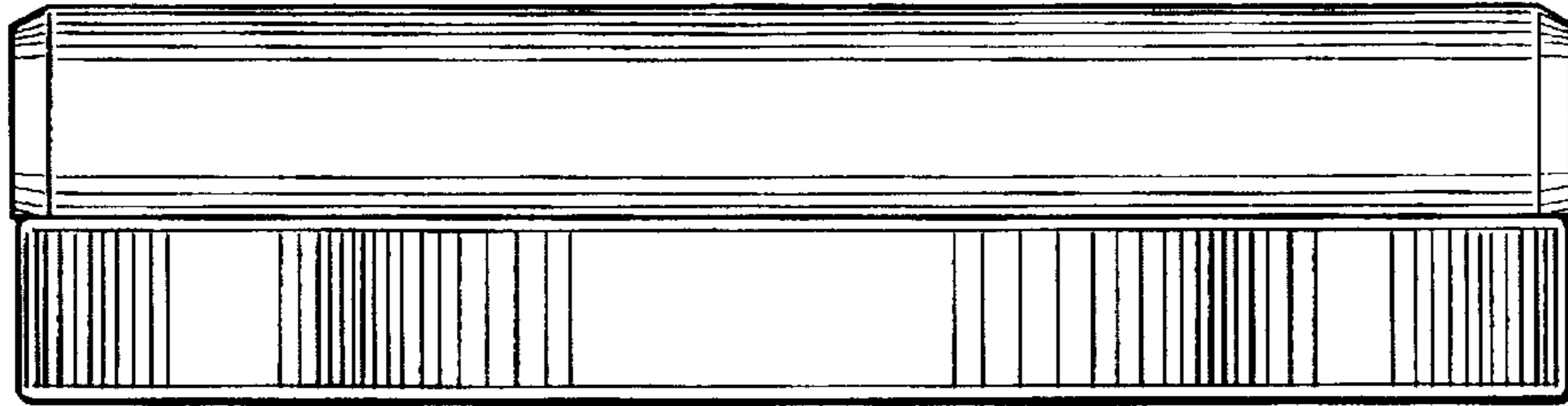
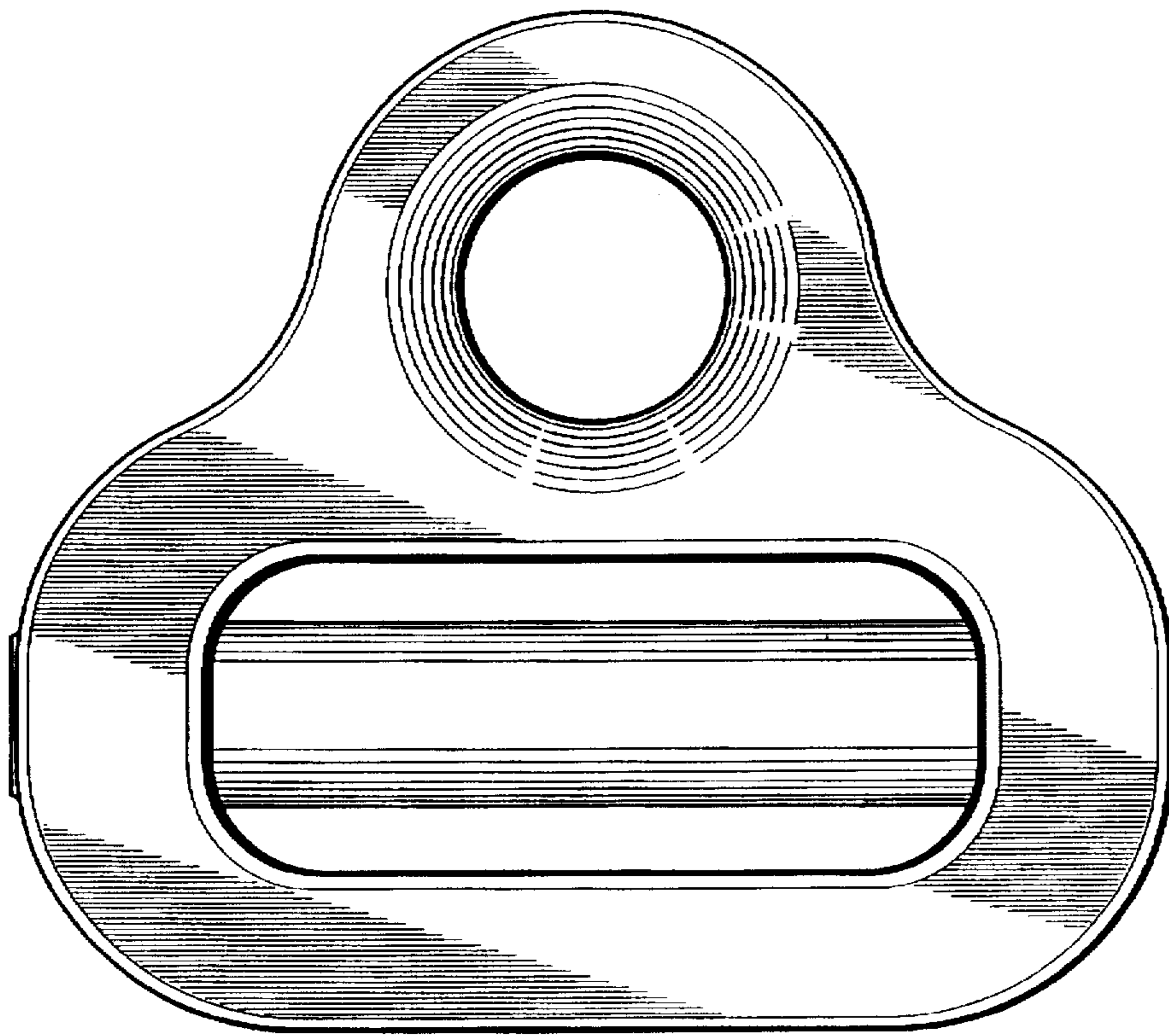


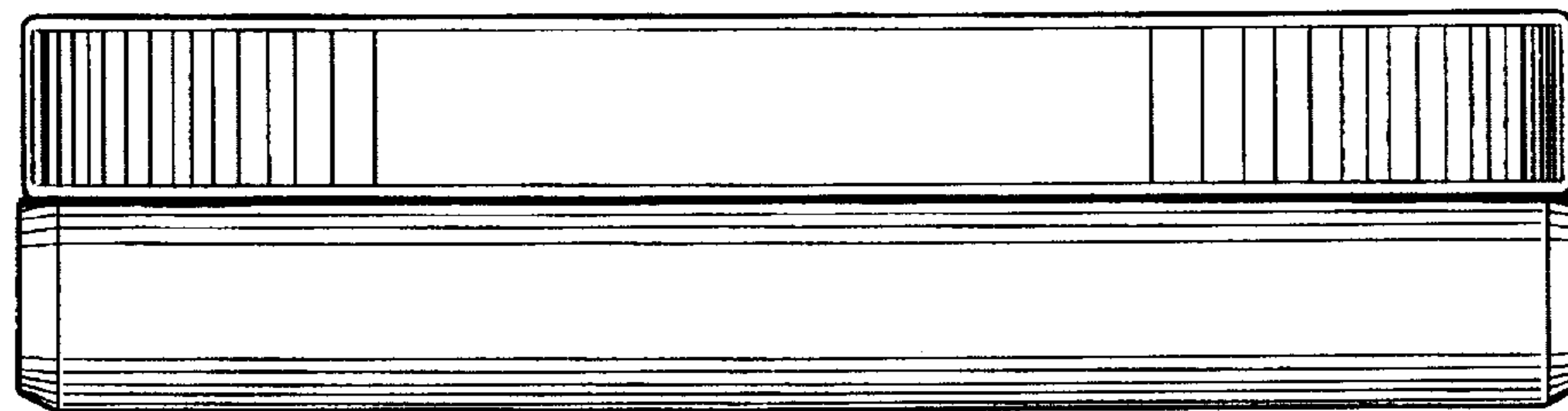
FIG. 2



**FIG. 4**



**FIG. 5**



**FIG. 6**