



US00D389777S

United States Patent [19]

Altieri

[11] Patent Number: **Des. 389,777**

[45] Date of Patent: ****Jan. 27, 1998**

[54] **ENCLOSED CHRISTMAS TREE STAND AND PLATFORM**

D. 109,146 4/1938 Lazarski D11/130.1
D. 334,355 3/1993 Moody D11/125

[76] Inventor: **Frederick Joseph Altieri**, 420
Huntington St., Shelton, Conn. 06484

Primary Examiner—Dominic Simone
Attorney, Agent, or Firm—S. Pal Asija

[**] Term: **14 Years**

[57] **CLAIM**

[21] Appl. No.: **68,910**

The ornamental design for an enclosed Christmas tree stand and platform of my new design, as shown and described.

[22] Filed: **Apr. 7, 1997**

DESCRIPTION

[51] **LOC (6) CL.** **11-05**

[52] **U.S. Cl.** **D11/130.1; D11/125; D25/38**

[58] **Field of Search** **D11/121, 125, D11/130.1; D25/38; 428/7, 13; 47/40.5**

FIG. 1 is a right elevation of the enclosed Christmas tree stand and platform of my new design;
FIG. 2 is a left elevation thereof;
FIG. 3 is a rear elevation thereof;
FIG. 4 is a front elevation thereof;
FIG. 5 is a perspective view thereof.

[56] **References Cited**

U.S. PATENT DOCUMENTS

D. 71,246 10/1926 Kelly D11/130.1

1 Claim, 3 Drawing Sheets

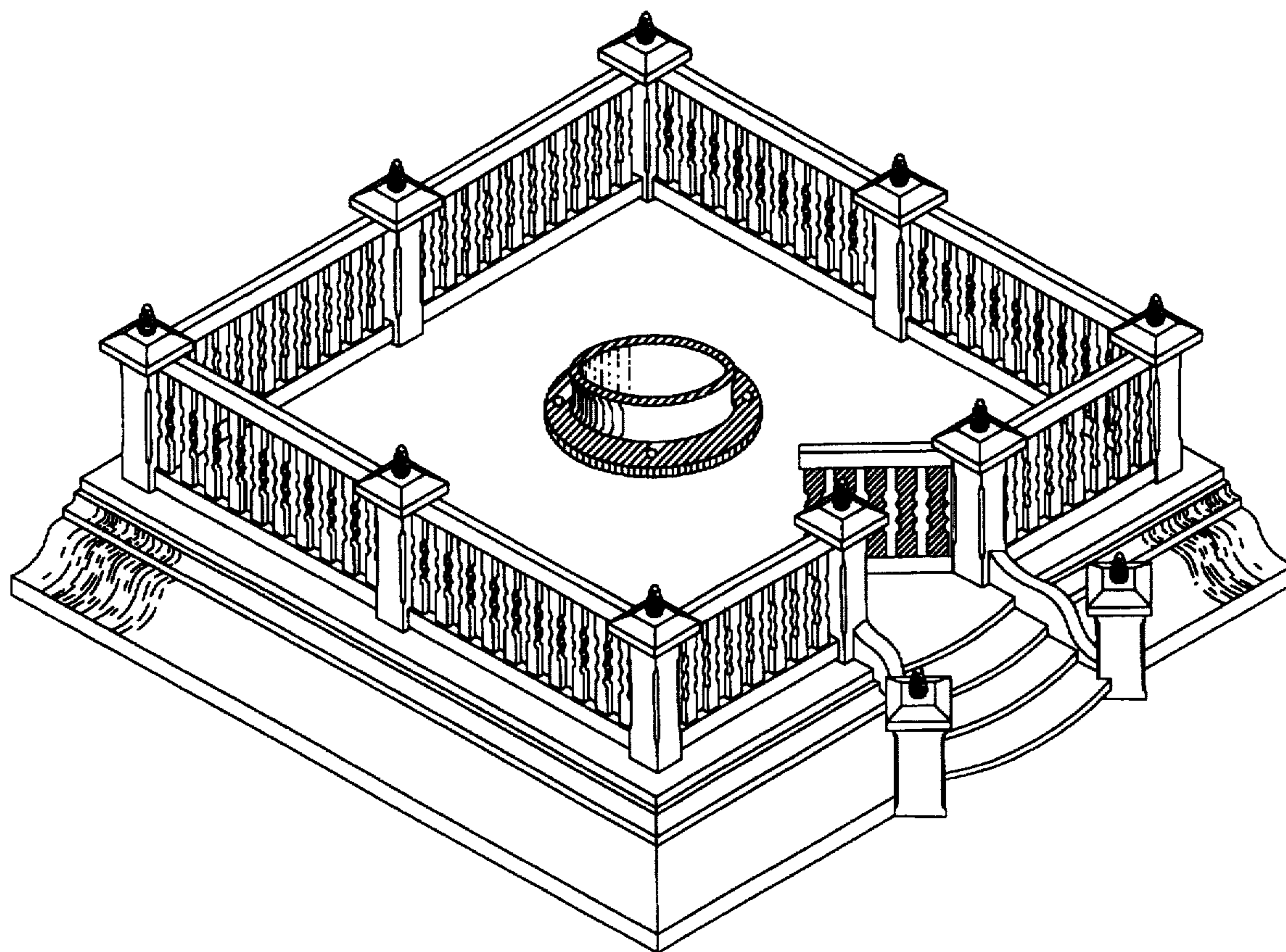


Fig.1

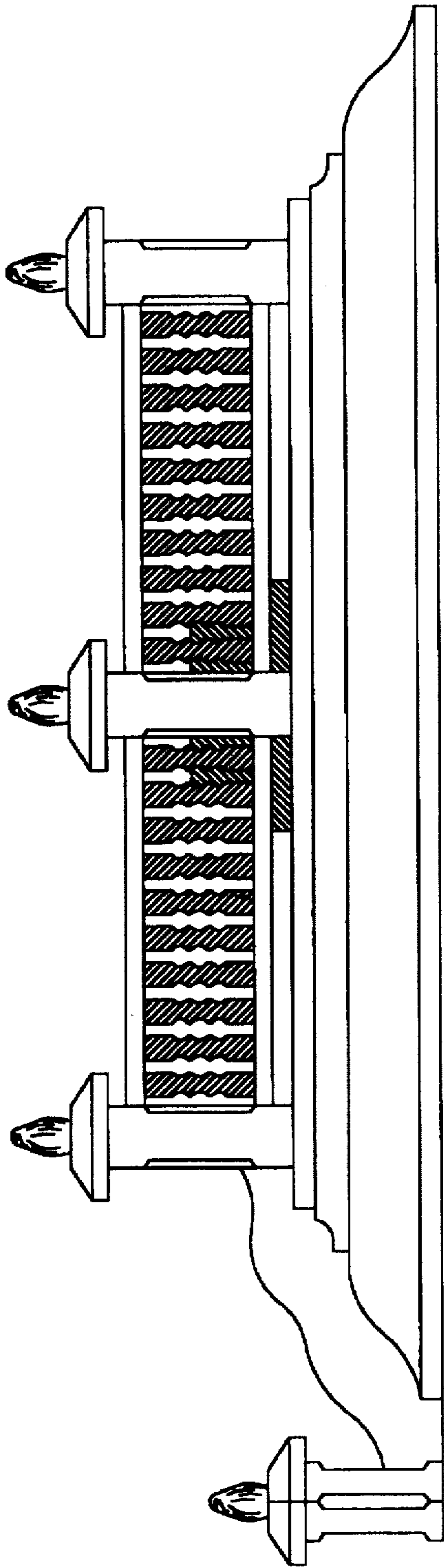


Fig.2

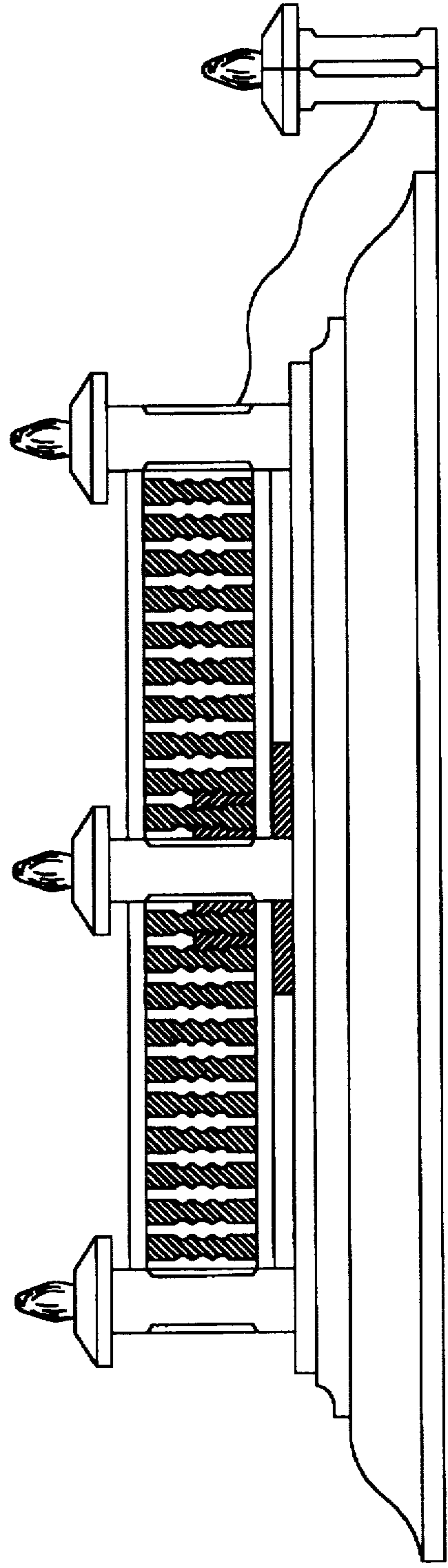


Fig.3

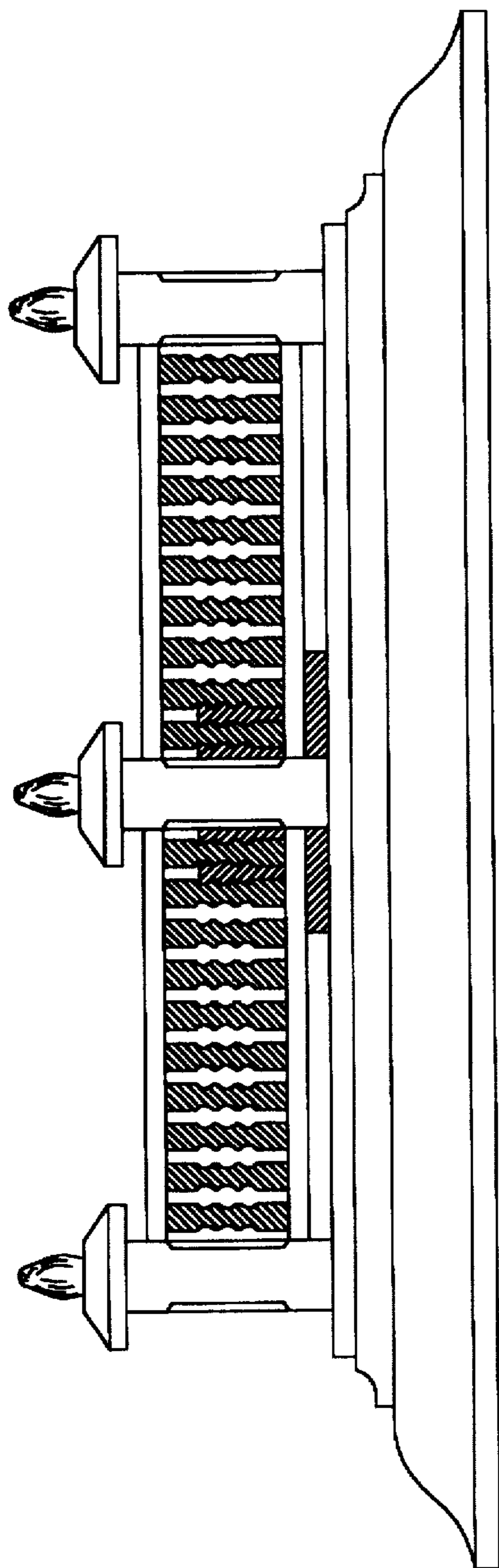
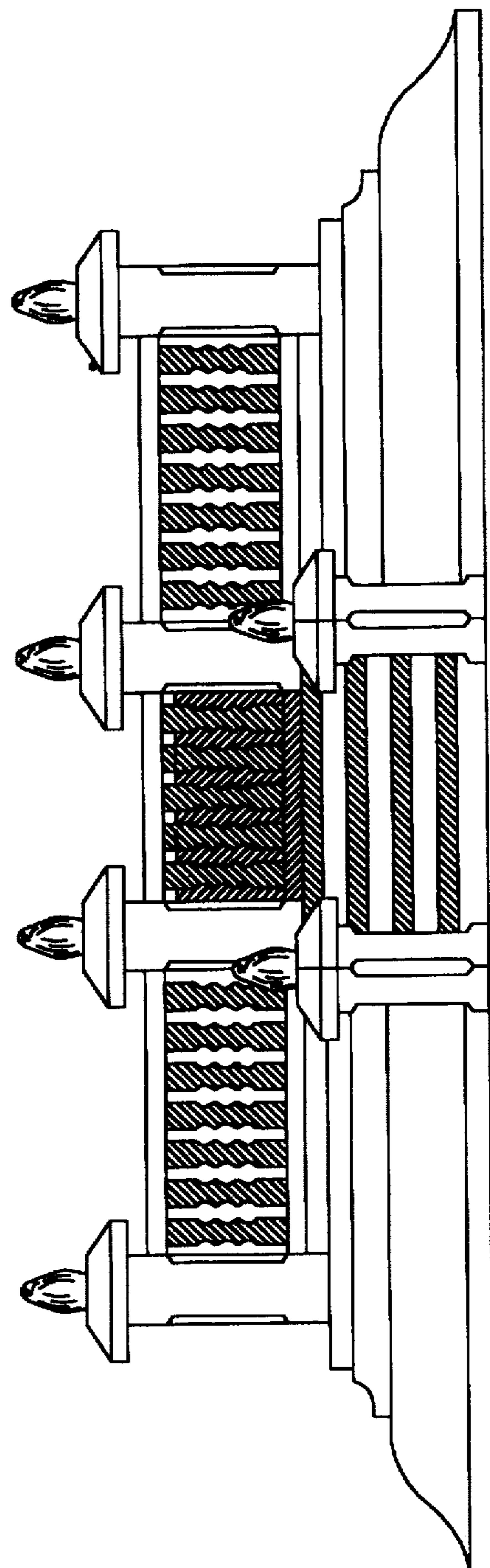


Fig.4



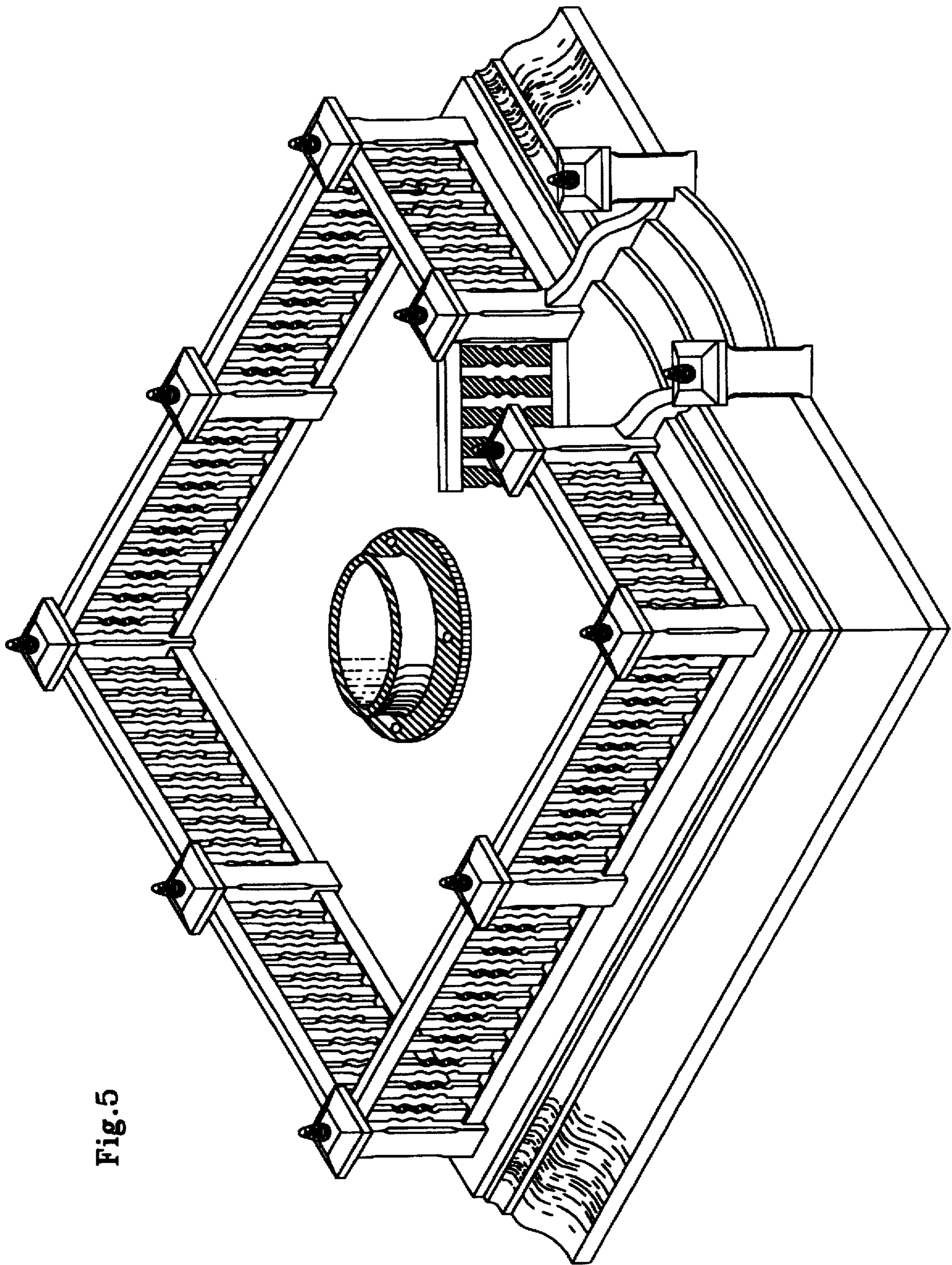


Fig.5