



US00D389760S

United States Patent [19]

Mumm et al.

[11] Patent Number: **Des. 389,760**

[45] Date of Patent: ****Jan. 27, 1998**

[54] **ELECTRICAL DISTRIBUTION POWER METER DEVICE HAVING AN INTERFACE FOR TELECOMMUNICATIONS SIGNALS**

D. 343,803 2/1994 Quелlette et al. D10/100
3,397,346 8/1968 Sloop D10/100 X

[75] Inventors: **Paul D. Mumm**, Kansas City; **Mitchel S. Krysa**, Lee's Summit, both of Mo.

Primary Examiner—Antoine Duval Davis
Attorney, Agent, or Firm—Hovey, Williams, Timmons & Collins

[73] Assignee: **Utilicorp Holdings Inc.**, Kansas City, Mo.

[57] **CLAIM**

[**] Term: **14 Years**

The ornamental design for an electrical distribution power meter device having an interface for telecommunications signals, as shown and described.

[21] Appl. No.: **68,275**

DESCRIPTION

[22] Filed: **Mar. 25, 1997**

[51] LOC (6) CL **10-04**

[52] U.S. Cl. **D10/100**

[58] Field of Search D10/100; 324/110,
324/114, 116, 156, 157; 377/16

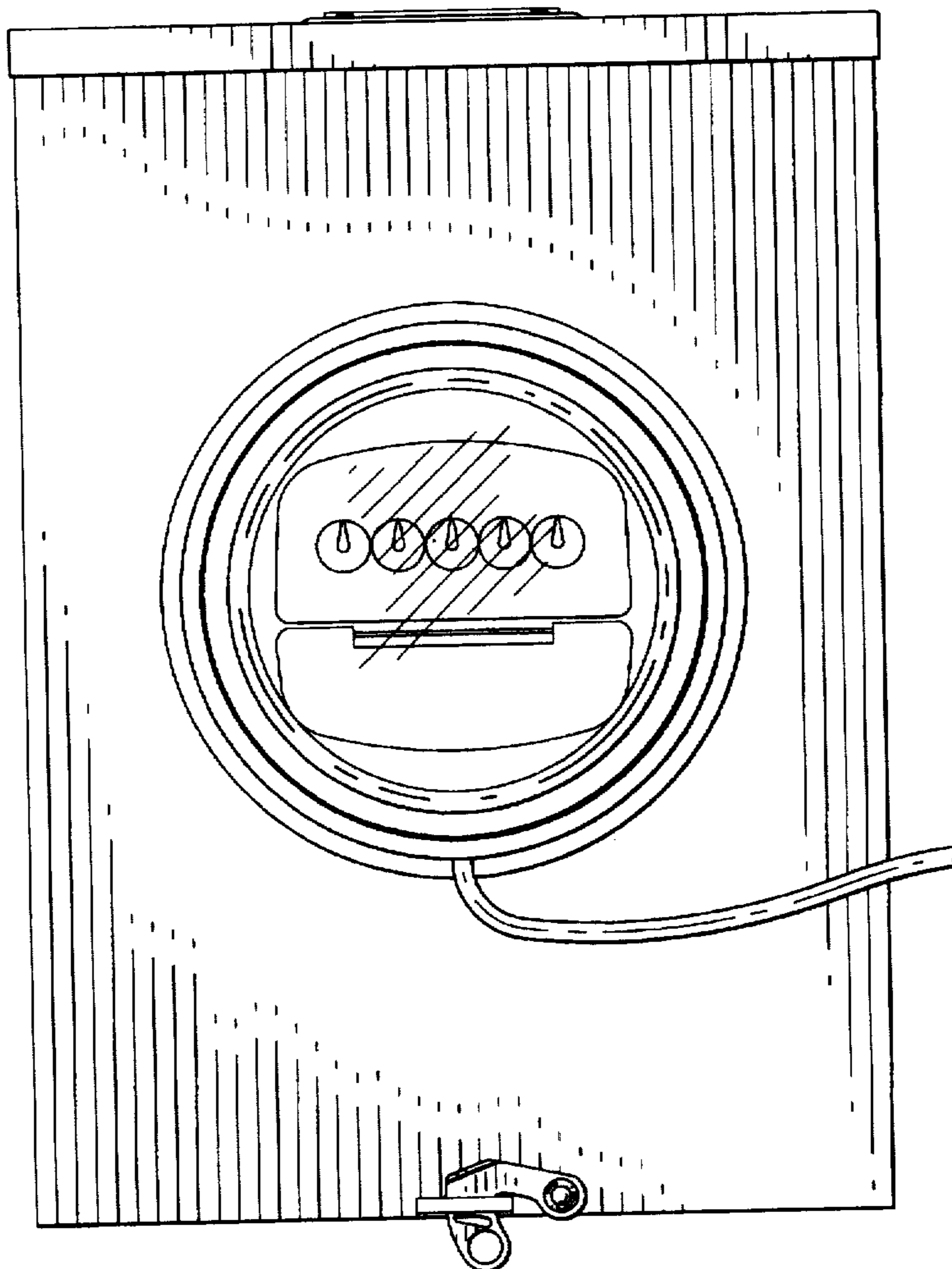
FIG. 1 is a front elevational view;
FIG. 2 is a right side elevational view;
FIG. 3 is a left elevational view;
FIG. 4 is a rear elevational view;
FIG. 5 is a top plan view; and,
FIG. 6 is a bottom plan view.

[56] **References Cited**

U.S. PATENT DOCUMENTS

D. 213,466 3/1969 Moran D10/100 X

1 Claim, 3 Drawing Sheets



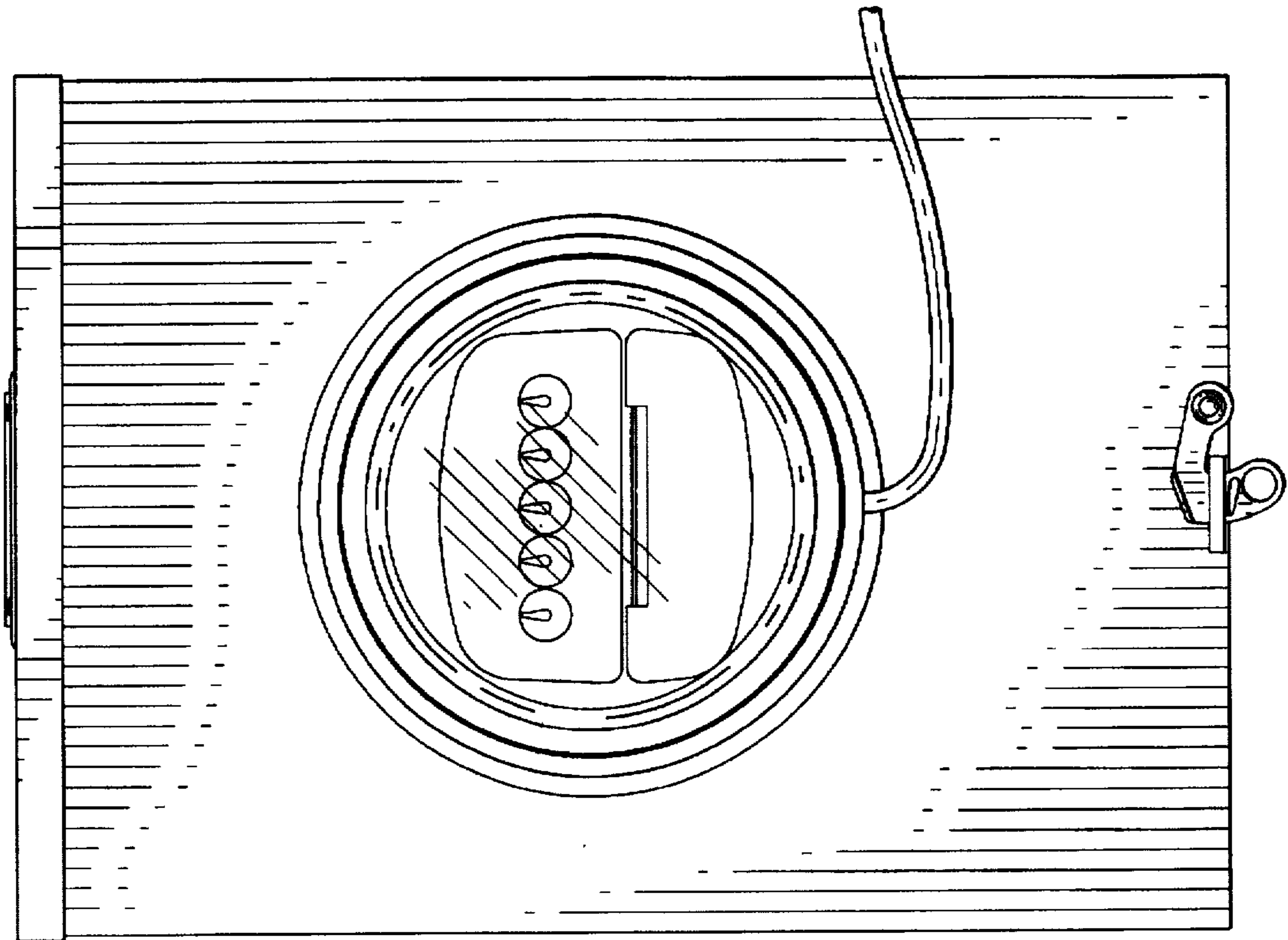


Fig. 1.

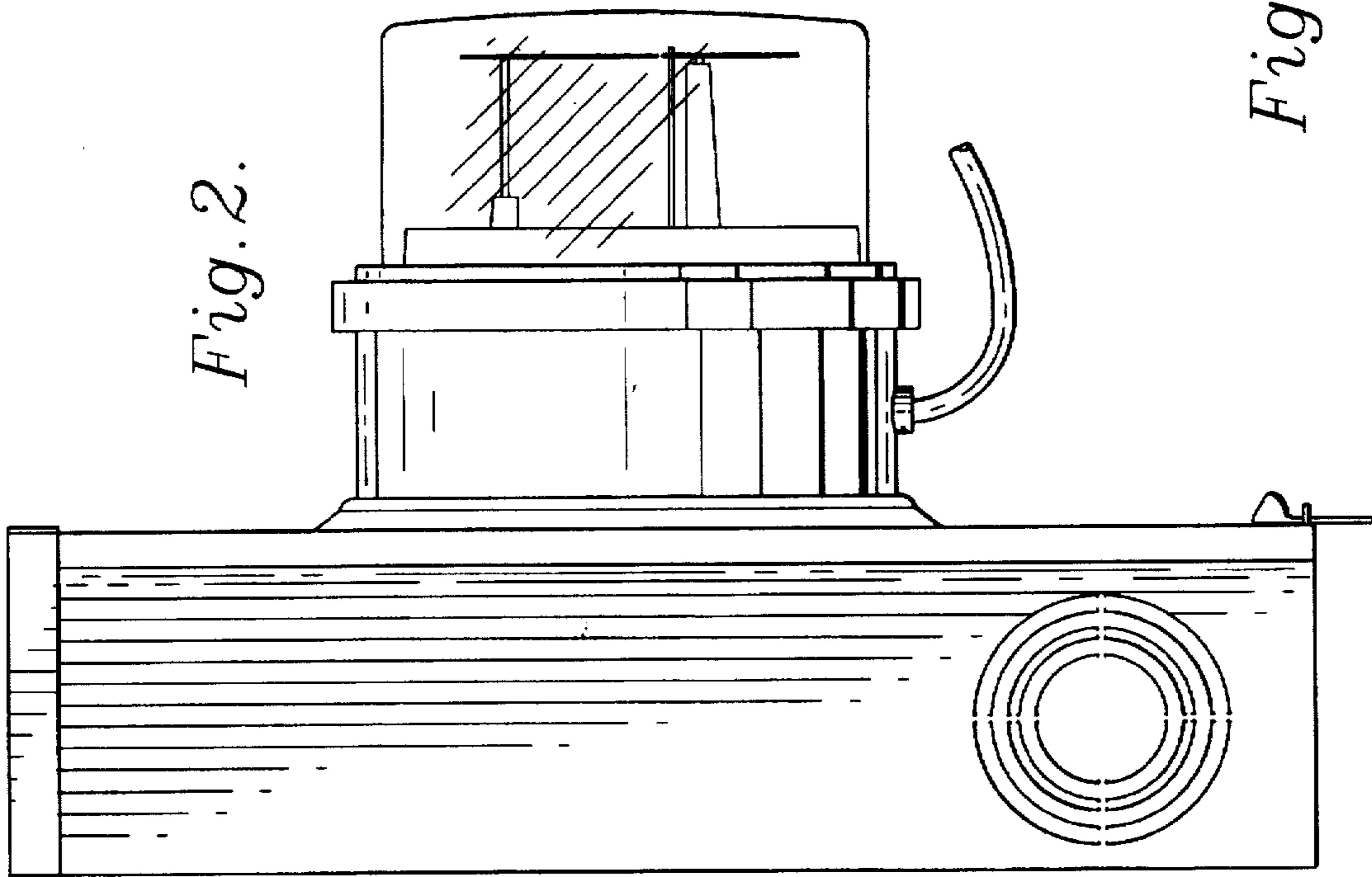


Fig. 2.

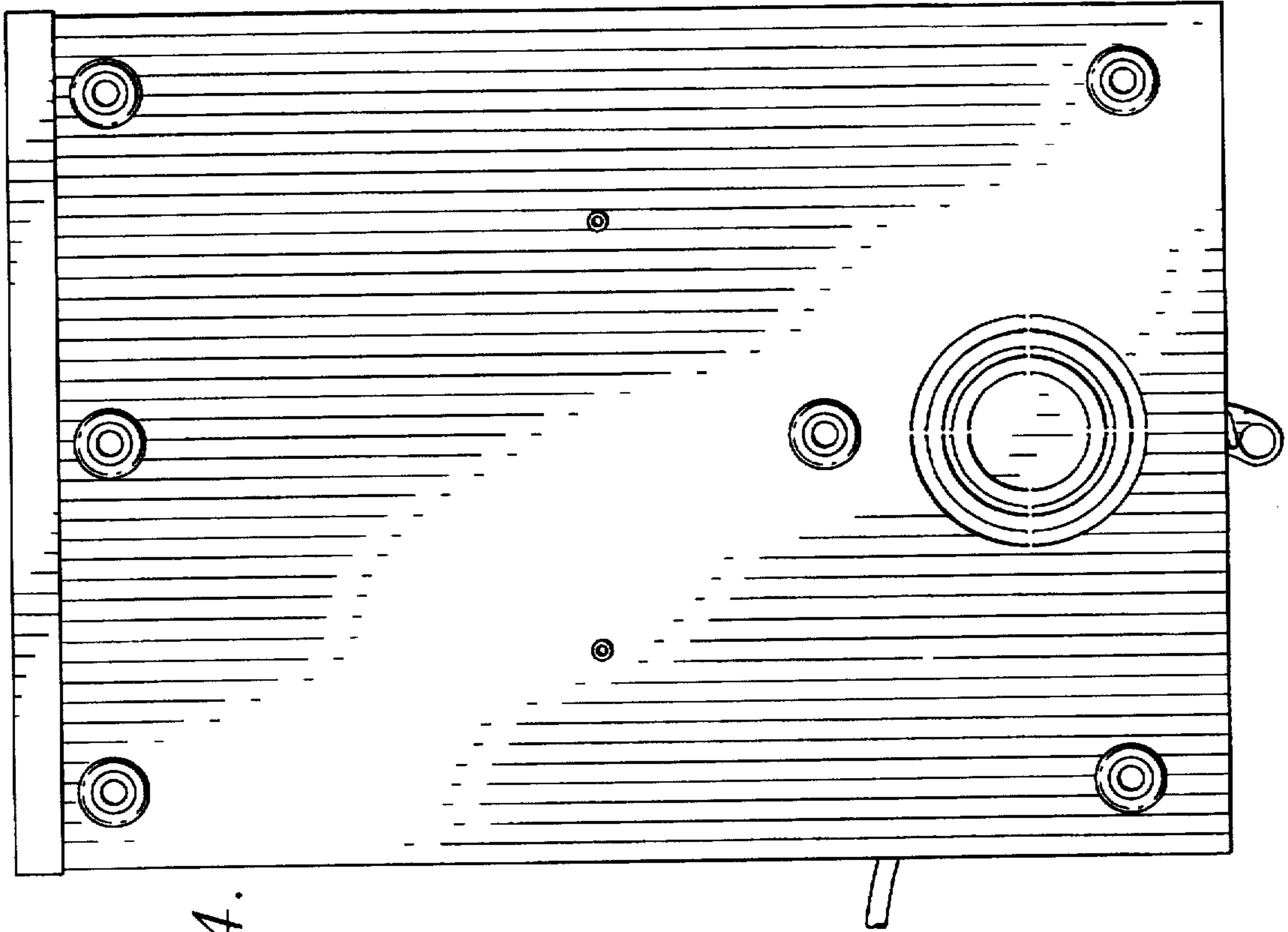


Fig. 4.

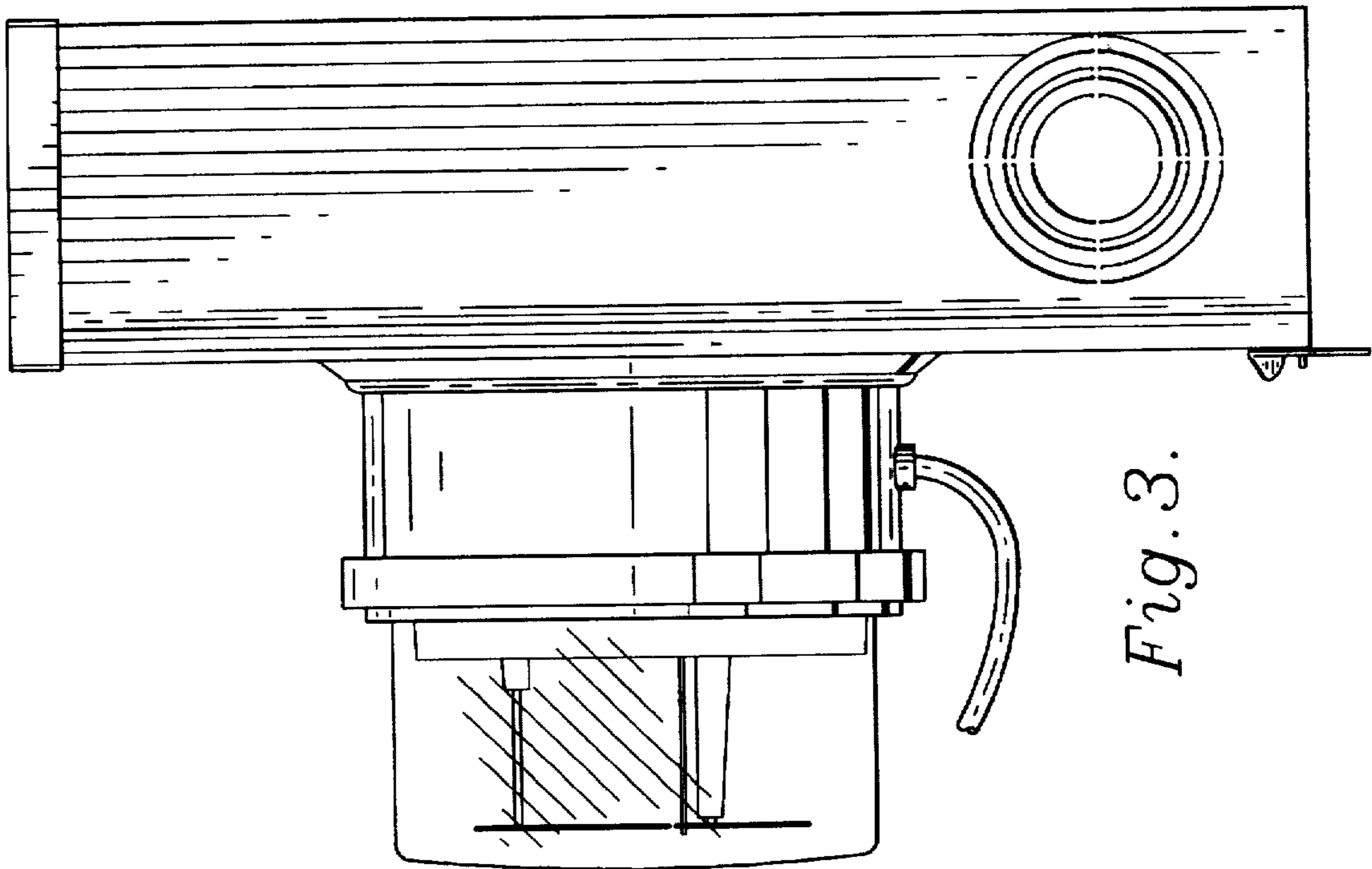


Fig. 3.

Fig. 5.

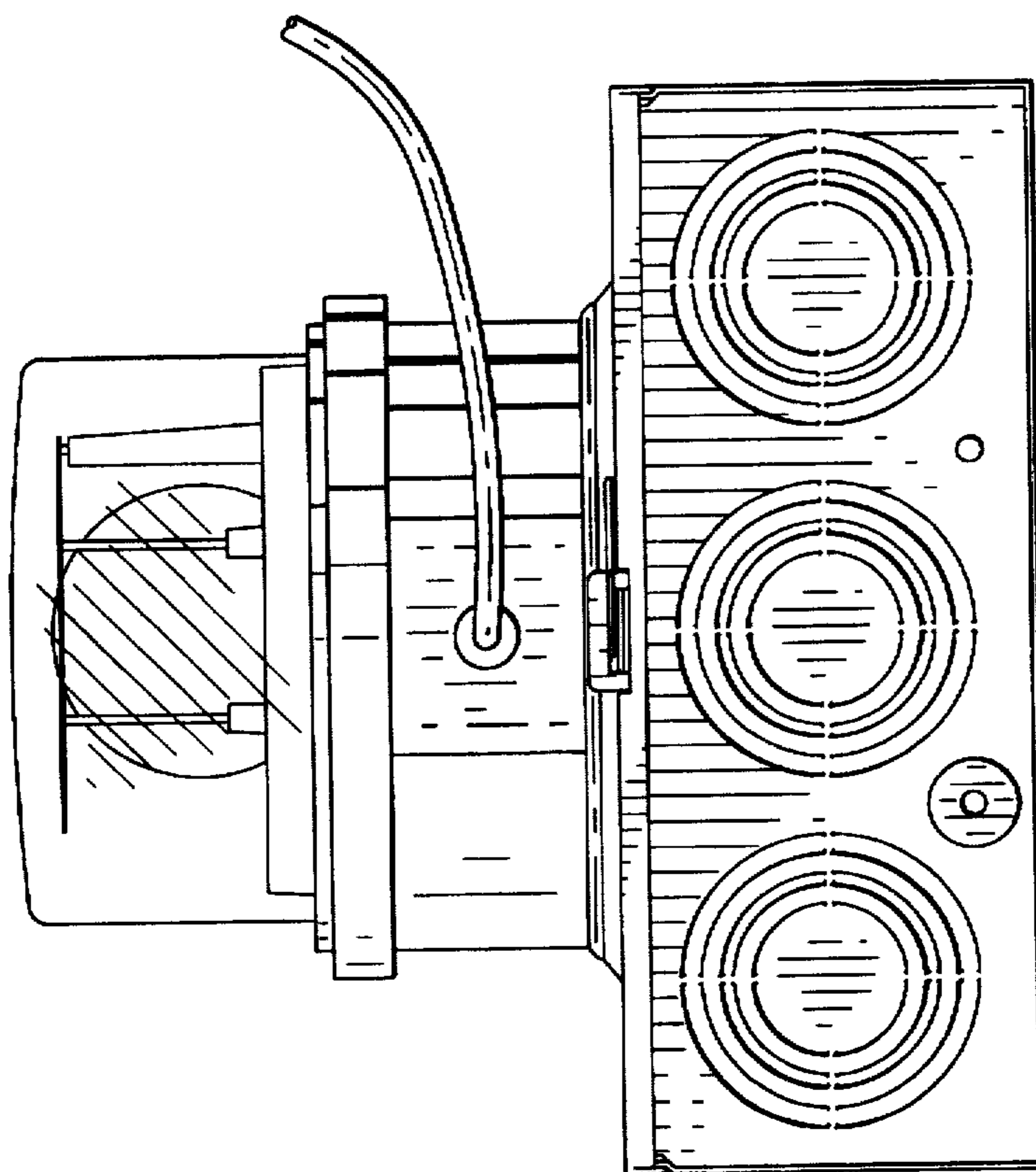
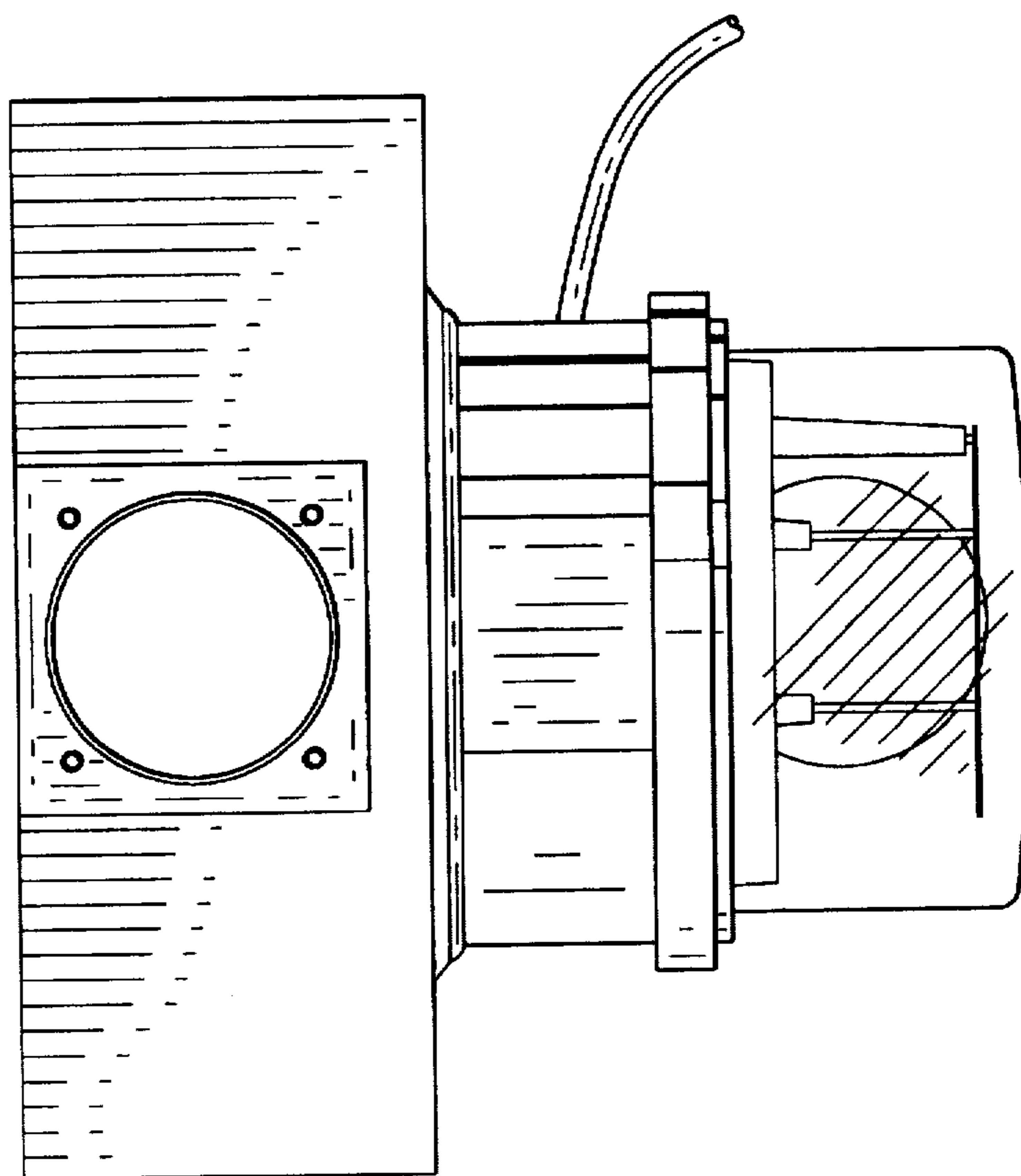


Fig. 6.