



US00D389758S

United States Patent [19]
Motamed

[11] **Patent Number:** **Des. 389,758**

[45] **Date of Patent:** ****Jan. 27, 1998**

[54] **LASER LEVEL**

D. 371,309 7/1996 Webb .
4,829,676 5/1989 Waldron .

[75] **Inventor:** **Armand Motamed, Marina Del Rey, Calif.**

Primary Examiner—Antonine Duval Davis
Attorney, Agent, or Firm—Fulwider Patton Lee & Utecht, LLP

[73] **Assignee:** **Lasers for Construction, Inc., Hawthorne, Calif.**

[**] **Term:** **14 Years**

[57] **CLAIM**

The ornamental design for a laser level, as shown and described.

[21] **Appl. No.:** **63,107**

[22] **Filed:** **Nov. 27, 1996**

DESCRIPTION

[51] **LOC (6) Cl.** **10-04**

[52] **U.S. Cl.** **D10/69**

[58] **Field of Search** **D10/69; 33/348, 33/348.2, 365-390**

FIG. 1 is a perspective view showing my new design for a laser level;
FIG. 2 is a side elevational view thereof with the opposite side being a mirror image thereof;
FIG. 3 is a top plan view thereof;
FIG. 4 is a bottom plan view thereof;
FIG. 5 is an end elevational view thereof; and,
FIG. 6 is an end elevational view opposite from the end shown in FIG. 5.

[56] **References Cited**

U.S. PATENT DOCUMENTS

- D. 301,553 6/1989 Makofsky et al. .
- D. 332,226 1/1993 Hutchins et al. D10/69
- D. 355,134 2/1995 Kennedy .

1 Claim, 2 Drawing Sheets

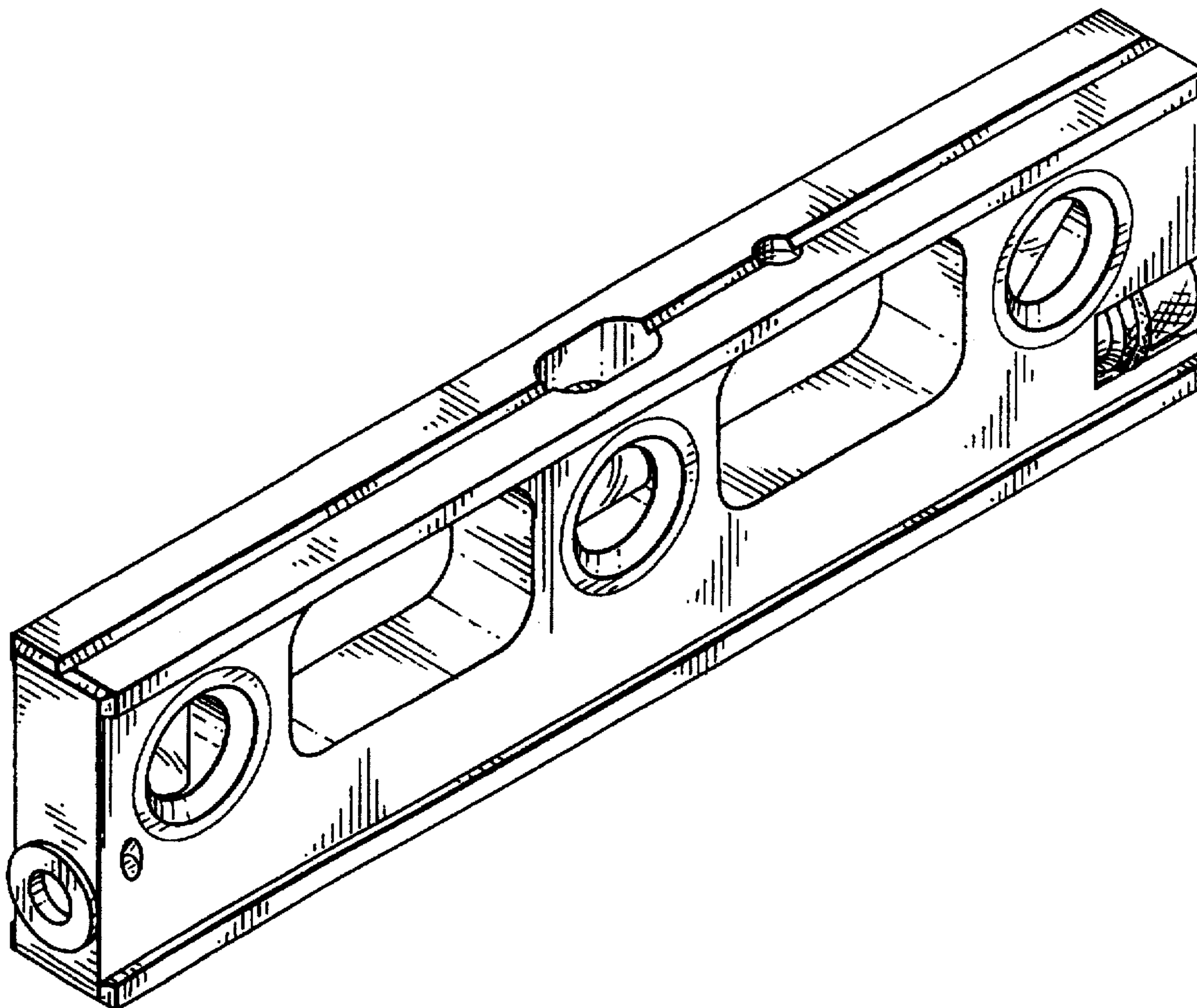


FIG. 1

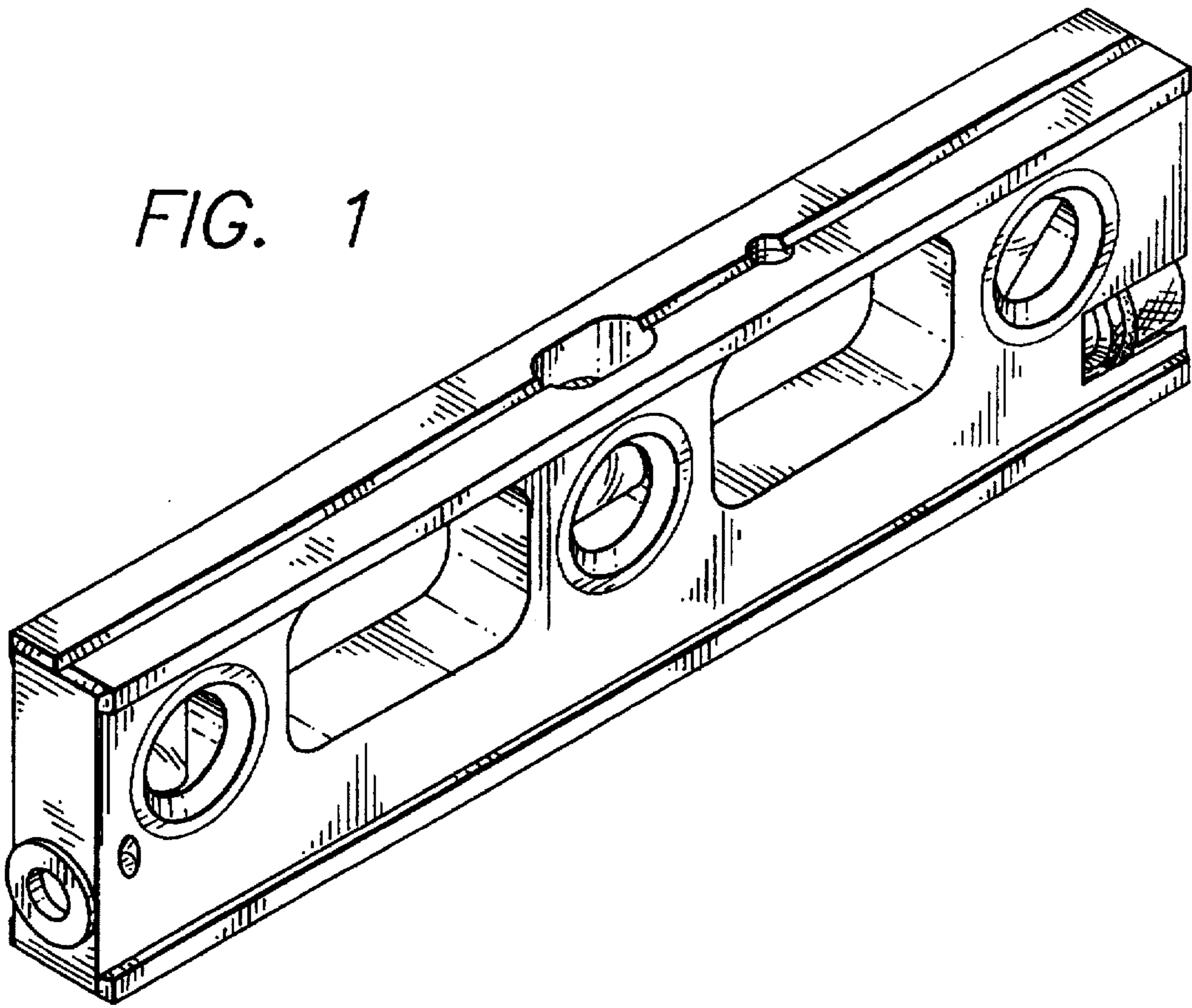


FIG. 2

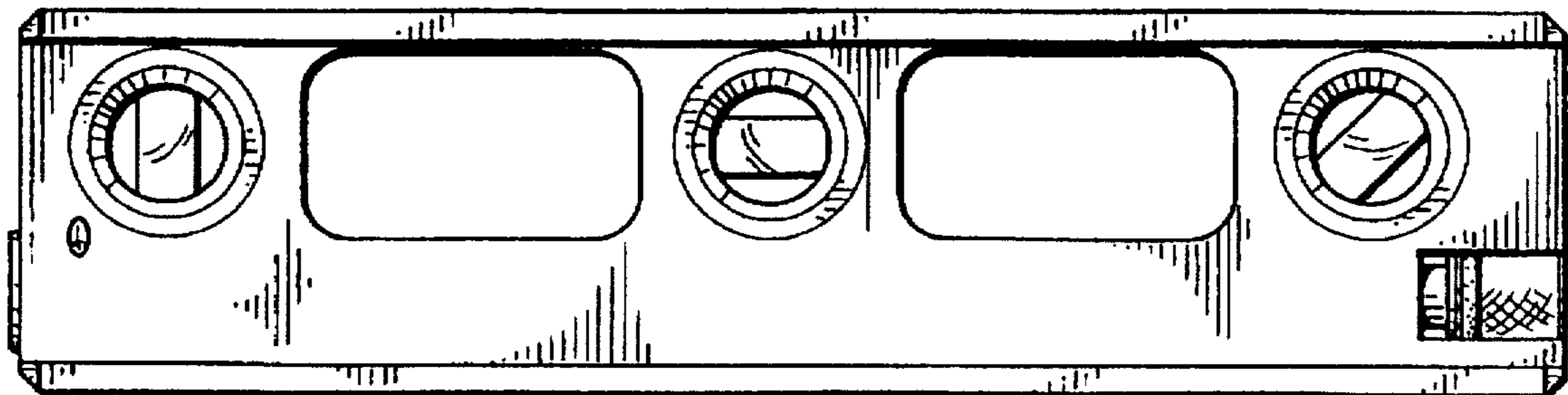


FIG. 3

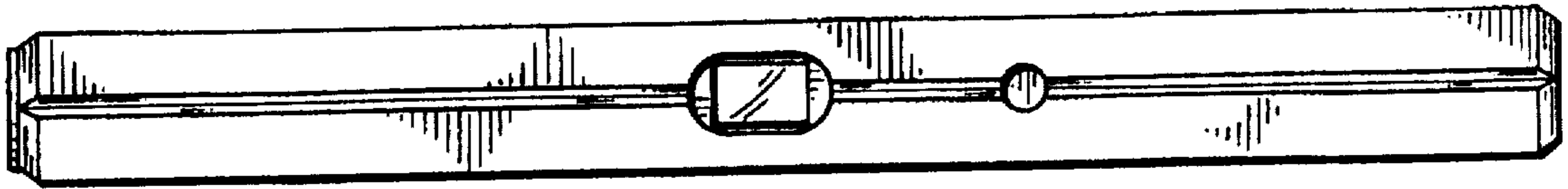


FIG. 4



FIG. 5

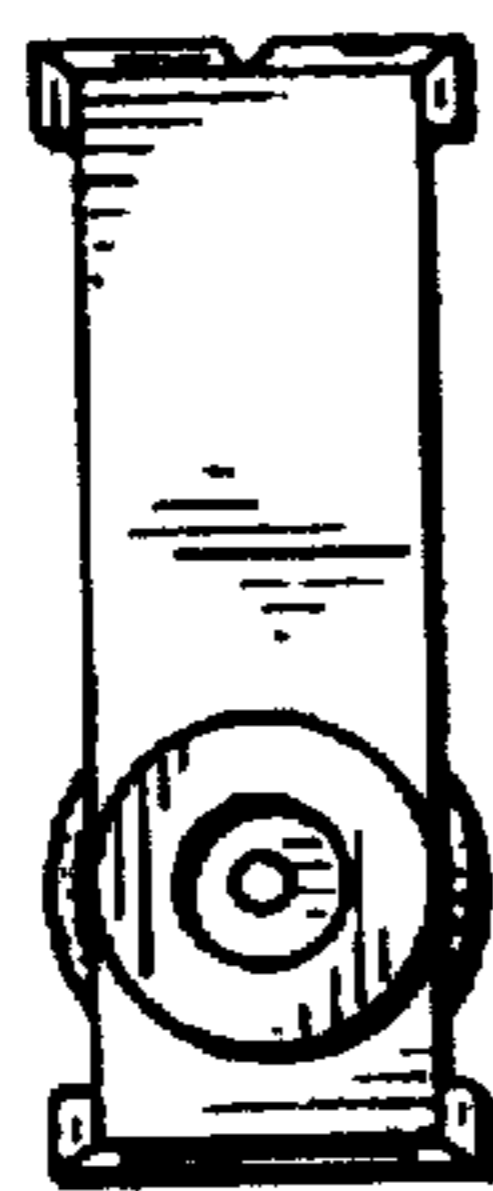


FIG. 6

