



US00D389756S

United States Patent [19]
Gruetzmacher

[11] **Patent Number:** **Des. 389,756**
[45] **Date of Patent:** ****Jan. 27, 1998**

[54] **INCLINOMETER**

[75] **Inventor:** **Richard J. Gruetzmacher**, Colgate, Wis.
[73] **Assignee:** **Johnson Level & Tool Mfg. Co., Inc.**, Mequon, Wis.
[**] **Term:** **14 Years**

[21] **Appl. No.:** **67,127**
[22] **Filed:** **Feb. 25, 1997**

[51] **LOC (6) Cl.** **10-04**
[52] **U.S. Cl.** **D10/65**
[58] **Field of Search** **D10/65; 33/304, 33/311, 355, 366**

[56] **References Cited**

U.S. PATENT DOCUMENTS

D. 220,286	3/1971	Provi	D10/65
D. 220,646	5/1971	Provi	D10/65
D. 220,647	5/1971	Provi	D10/65
D. 259,924	7/1981	Bergkvist	D10/65

OTHER PUBLICATIONS

Johnson Level & Tool Catalogue, p. 10, undated.

Primary Examiner—Antoine Duval Davis
Attorney, Agent, or Firm—Andrus, Scales, Starke & Sawall

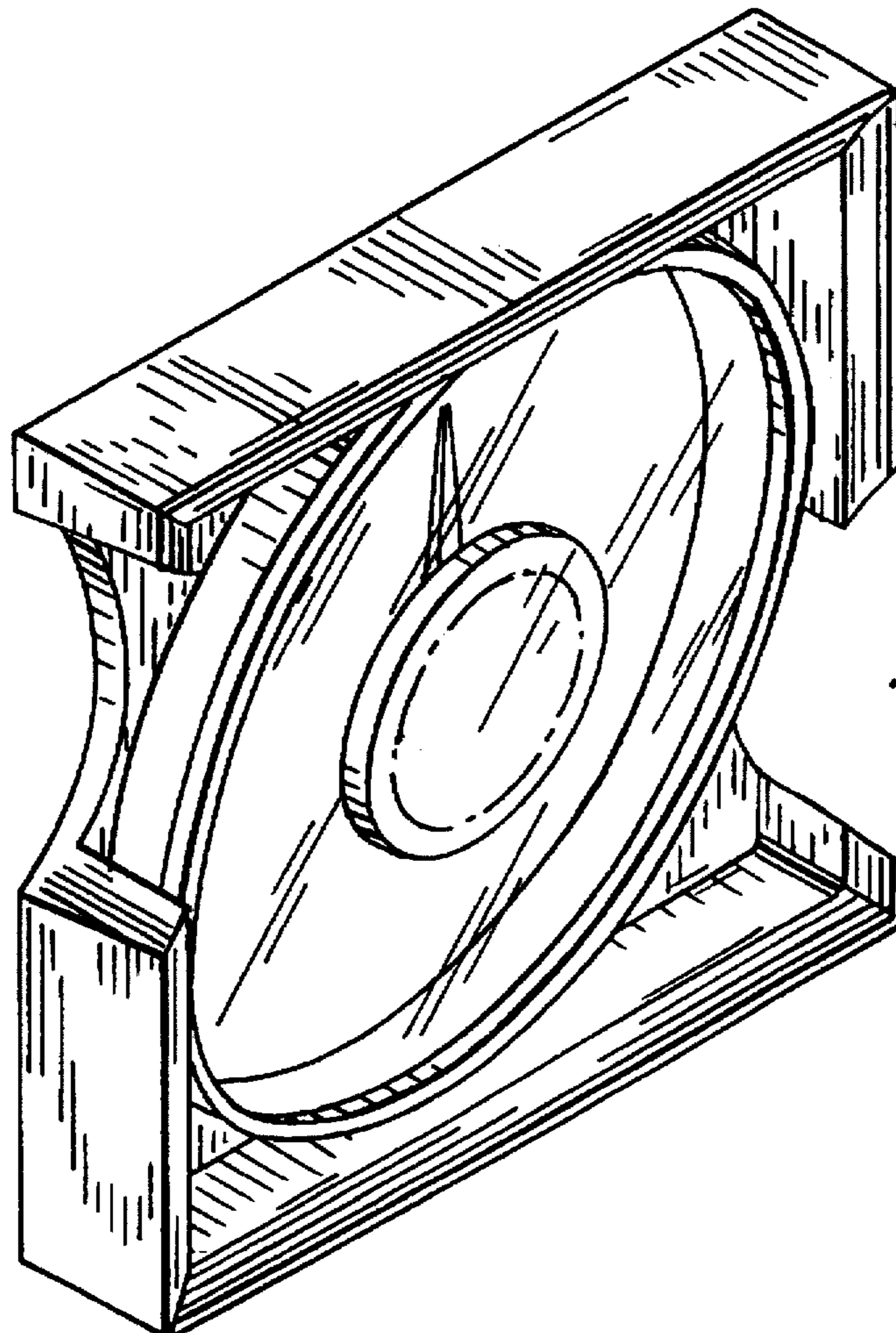
[57] **CLAIM**

The ornamental design of an inclinometer, as shown and described.

DESCRIPTION

FIG. 1 is an isometric view of an inclinometer incorporating my new design;
FIG. 2 is a front elevation view thereof;
FIG. 3 is a left side elevation view thereof;
FIG. 4 is a top plan view thereof, the bottom plan view being a mirror image;
FIG. 5 is a right side elevation view thereof; and,
FIG. 6 is a rear elevation view thereof.

1 Claim, 1 Drawing Sheet



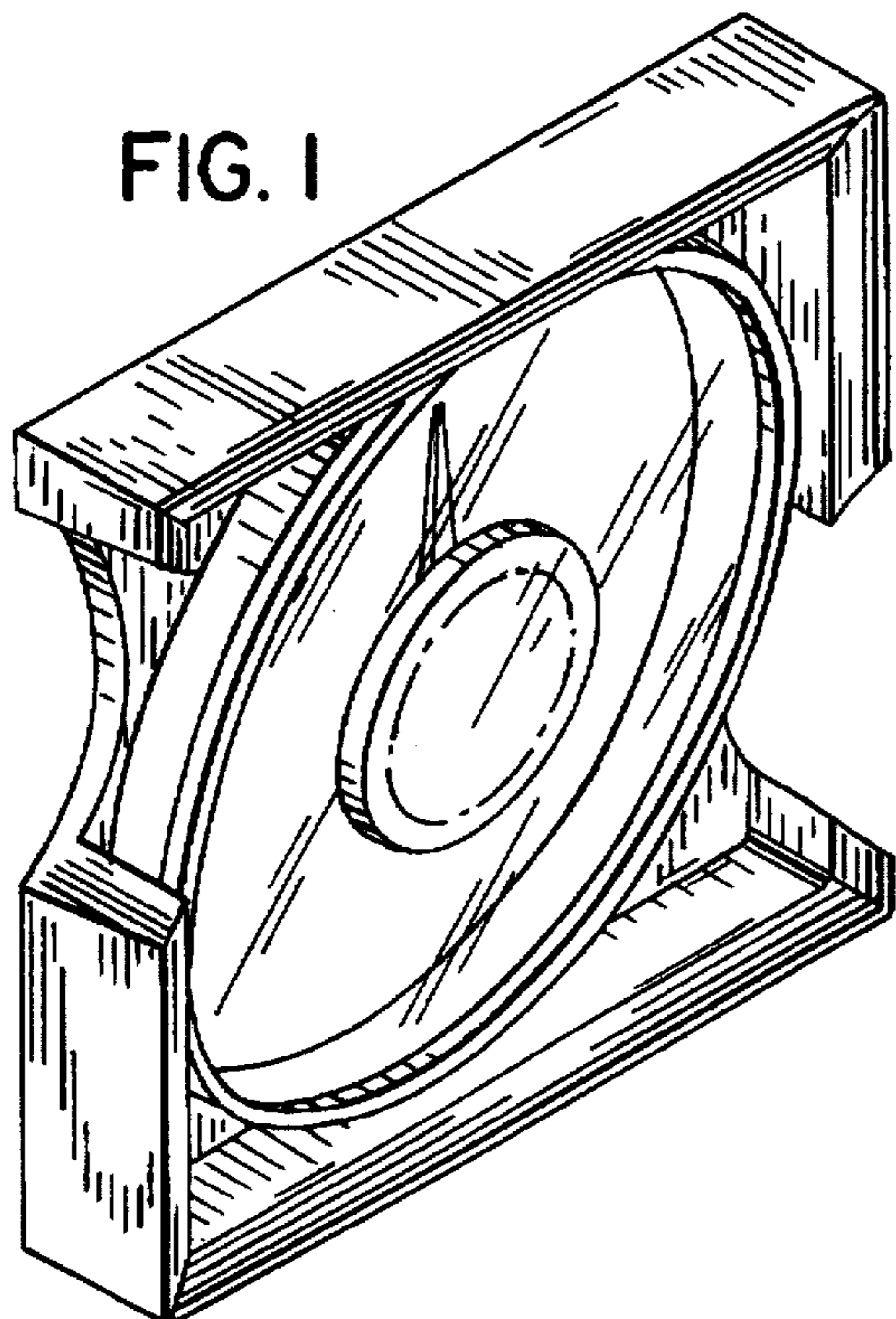


FIG. 1



FIG. 3

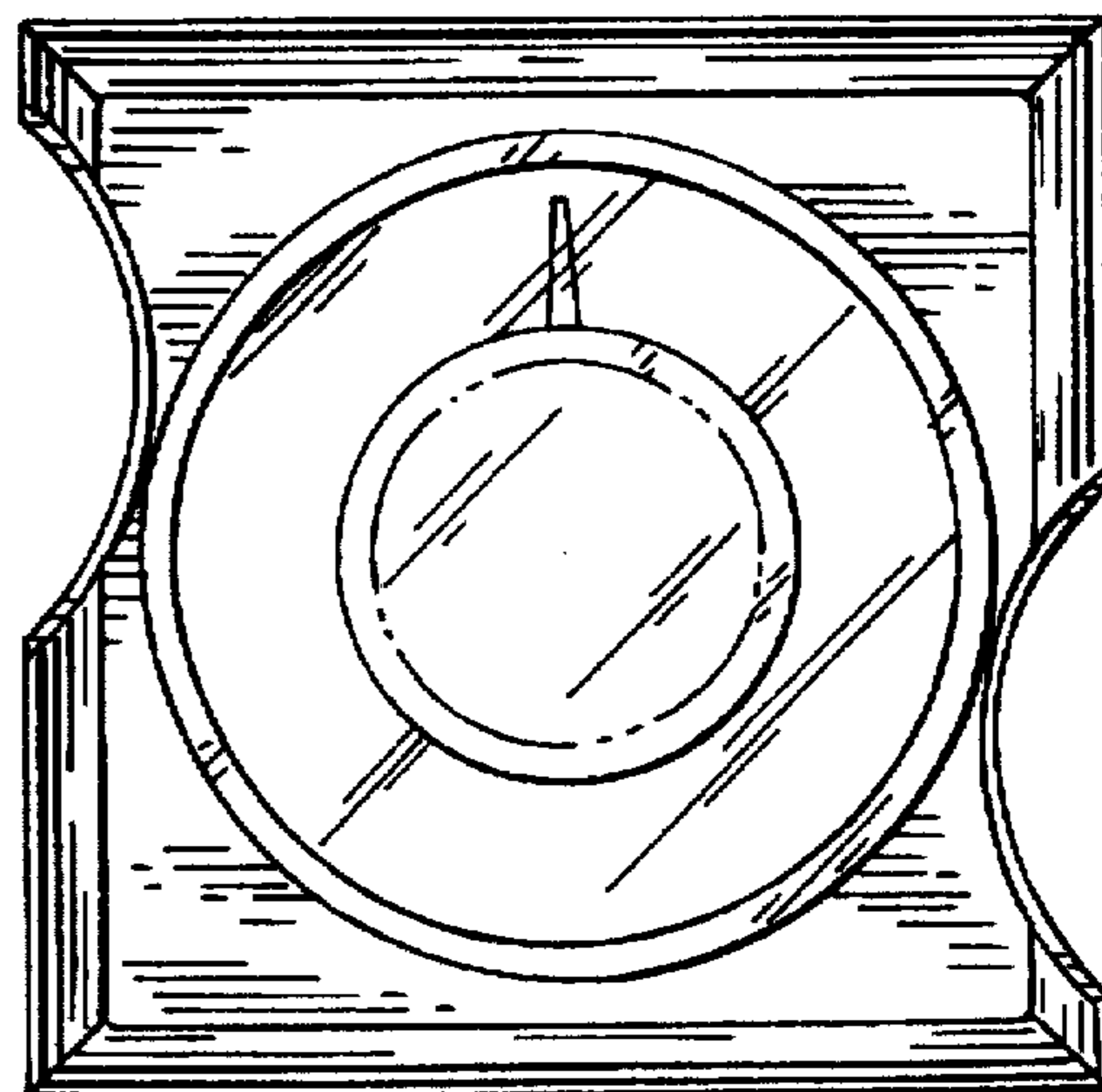


FIG. 2

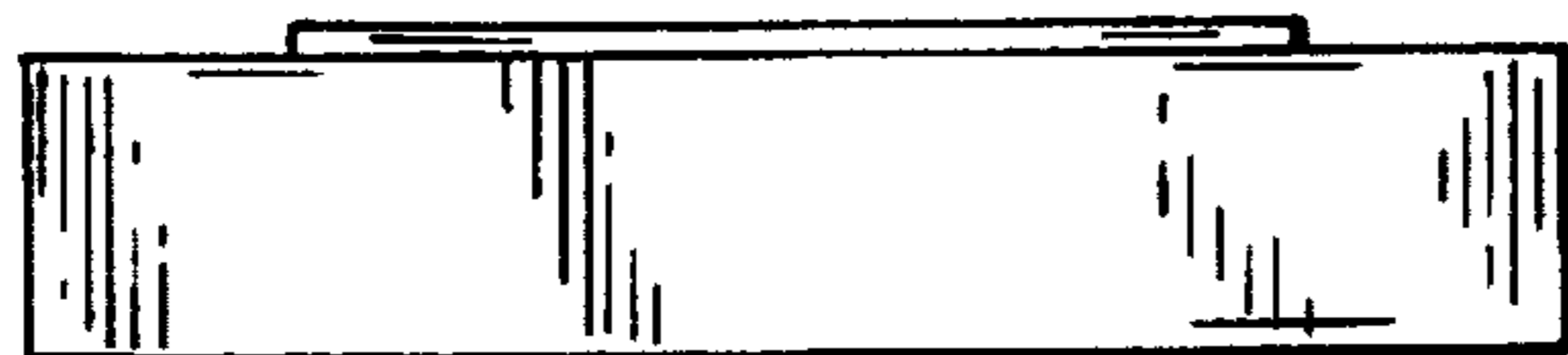


FIG. 4



FIG. 5

FIG. 6

