



US00D389752S

United States Patent [19]
Riley

[11] **Patent Number: Des. 389,752**

[45] **Date of Patent: **Jan. 27, 1998**

- [54] **CASING FOR A DIGITAL WATCH**
- [75] **Inventor: Judith Reichel Riley, Goshen, Conn.**
- [73] **Assignee: Timex Corp., Middlebury, Conn.**
- [**] **Term: 14 Years**
- [21] **Appl. No.: 68,840**
- [22] **Filed: Mar. 14, 1997**
- [51] **LOC (6) Cl. 10-02**
- [52] **U.S. Cl. D10/30; D10/38**
- [58] **Field of Search D10/1-40, 122-132;**
368/280-282, 276-277, 28-30, 285, 239-242,
82-84, 41-44

- D. 327,656 7/1992 Sugita D10/38
- D. 346,975 5/1994 Houlihan D10/38
- D. 364,820 12/1995 Sakai D10/39

Primary Examiner—Nelson C. Holtje
Attorney, Agent, or Firm—Paul R. Juhasz

[57] **CLAIM**

The ornamental design for a "casing for a digital watch", as shown and described.

DESCRIPTION

FIG. 1 is a perspective elevational view of a "casing for a digital watch";
FIG. 2 is a left side elevational view thereof;
FIG. 3 is a top plan view thereof;
FIG. 4 is a right side elevational view thereof;
FIG. 5 is an end elevational view thereof;
FIG. 6 is the other end elevational view thereof; and,
FIG. 7 is a bottom plan view thereof.

[56] **References Cited**
U.S. PATENT DOCUMENTS

- D. 323,786 2/1992 Ishizaka D10/38
- D. 327,443 6/1992 Sugita D10/38

1 Claim, 2 Drawing Sheets

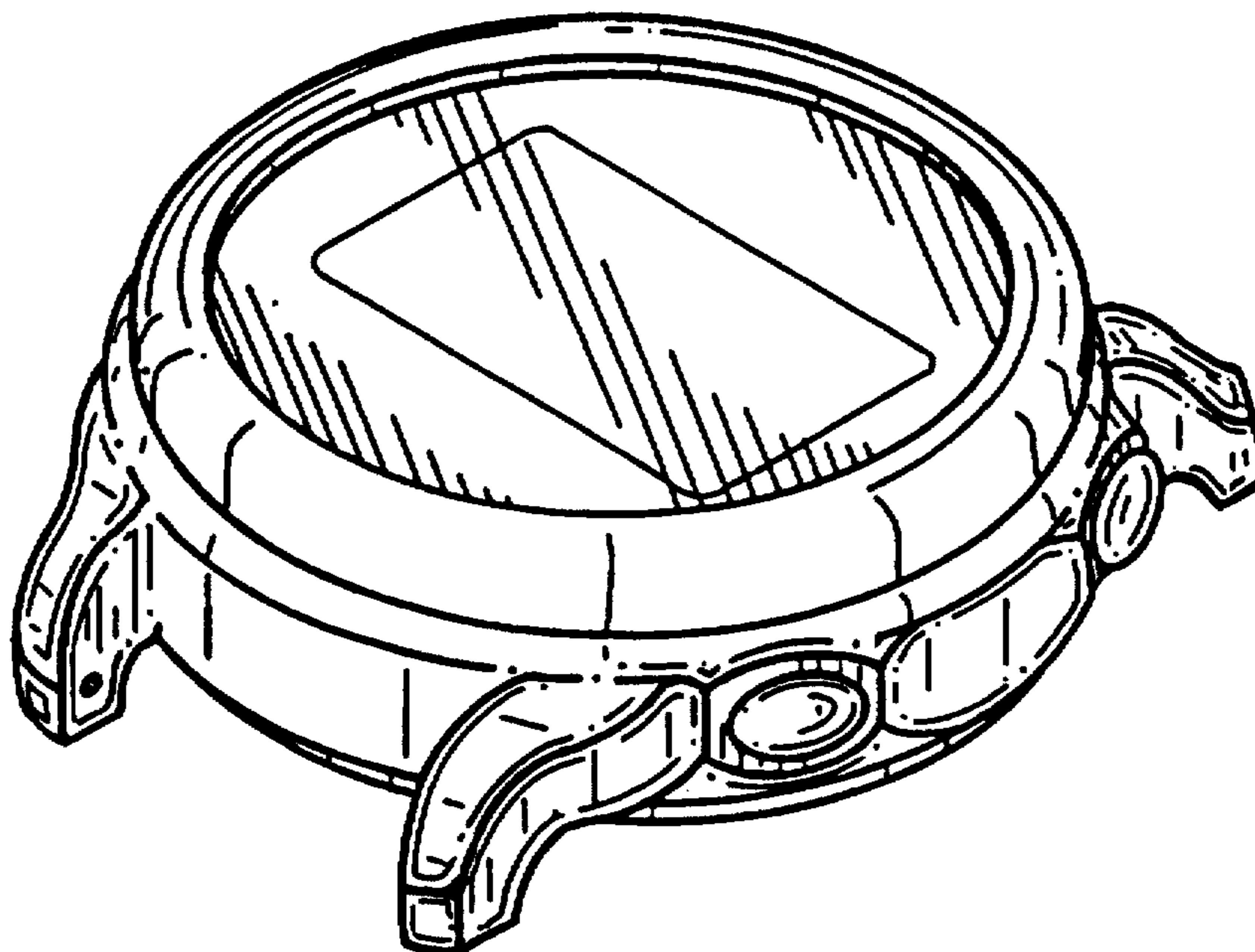


FIG. 1

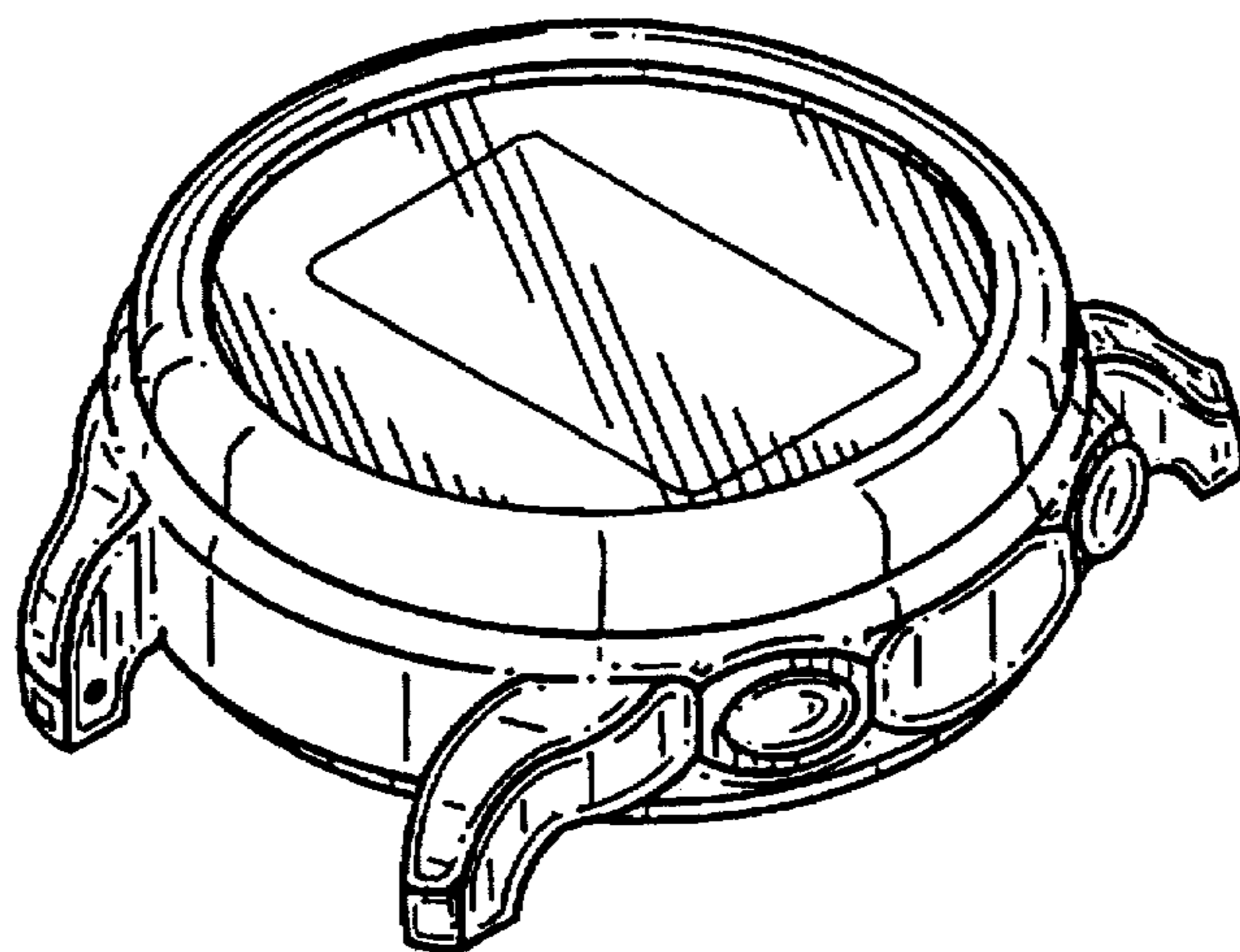


FIG. 7

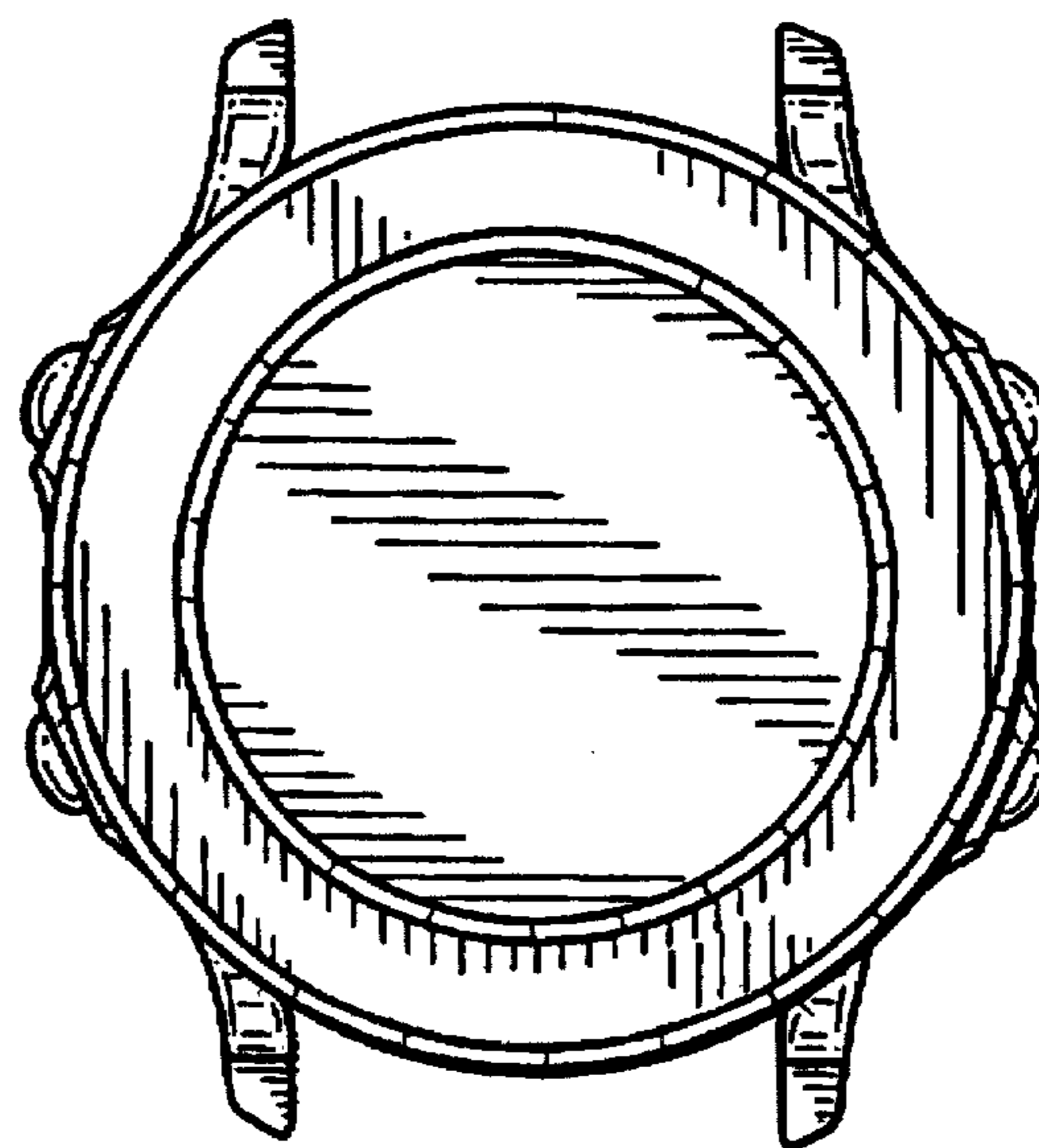


FIG. 4

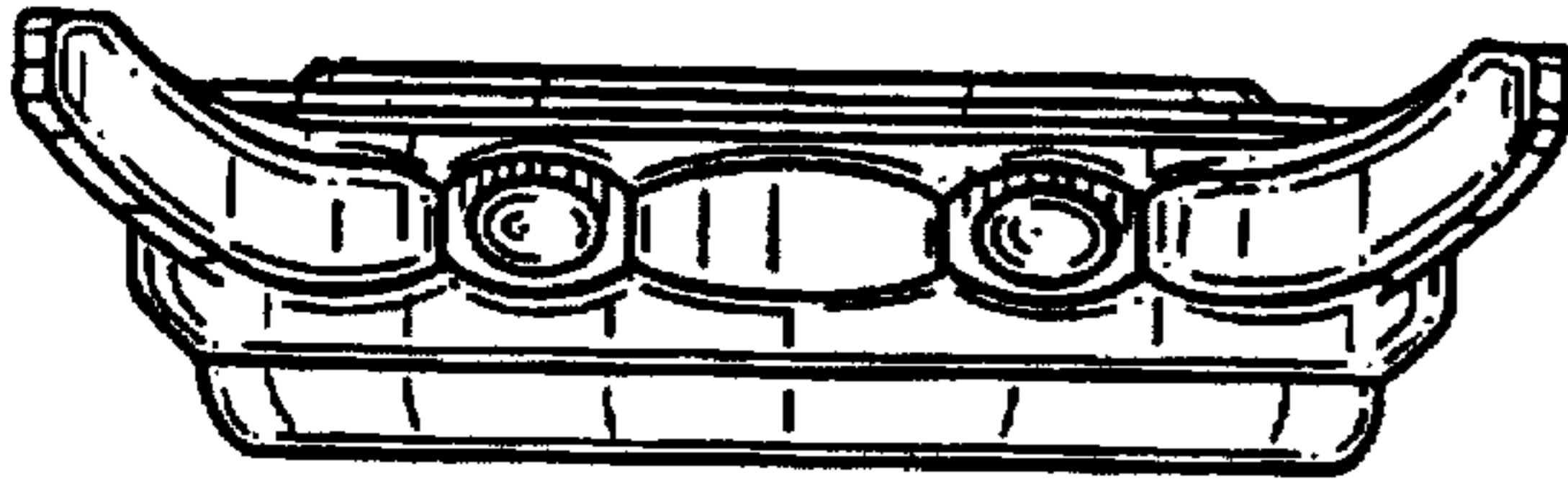


FIG. 3

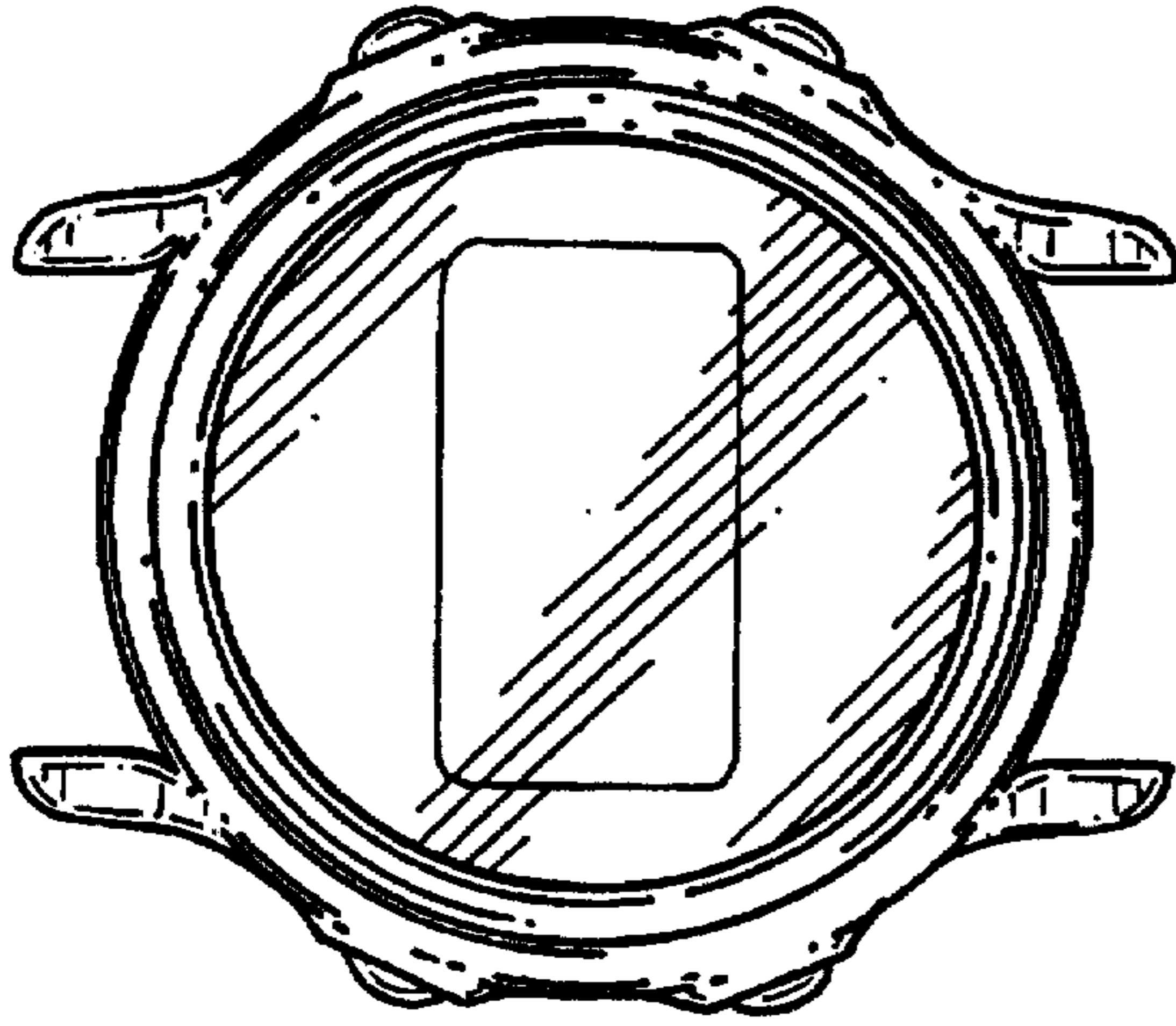


FIG. 2

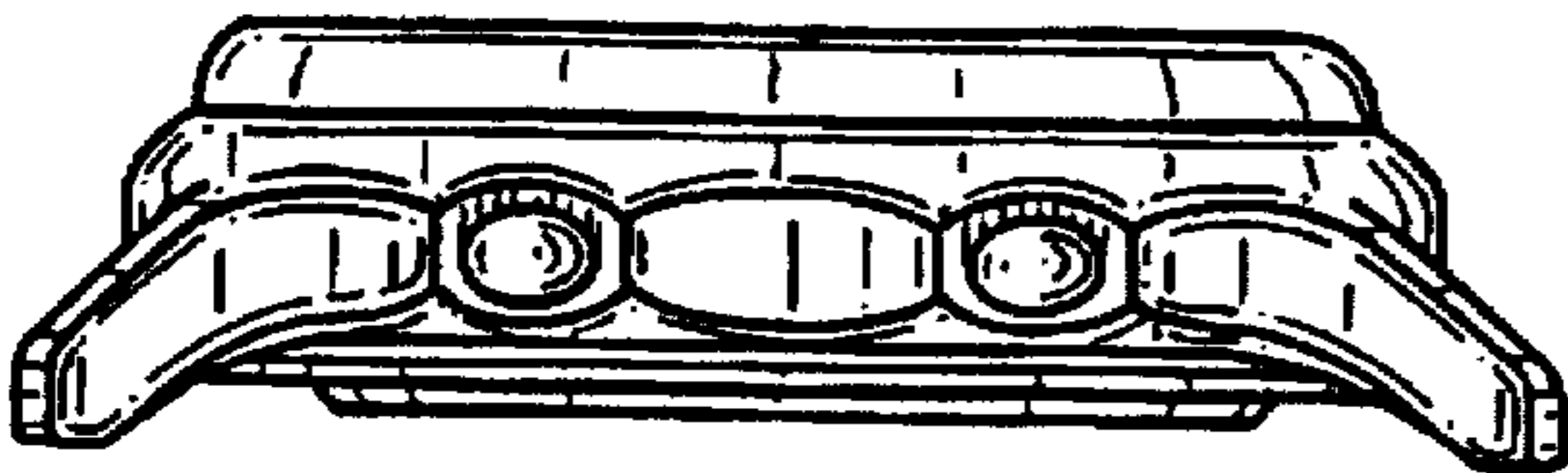


FIG. 6

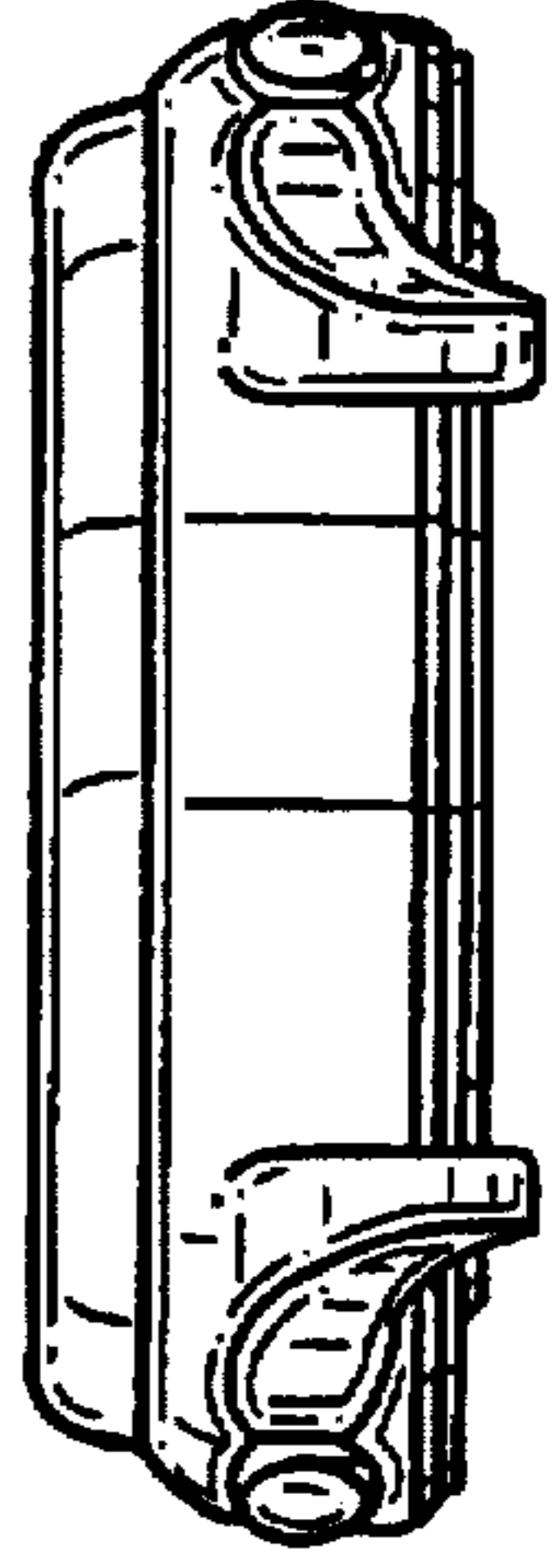


FIG. 5

