



US00D389747S

United States Patent [19]

[11] Patent Number: **Des. 389,747**

Ramos et al.

[45] Date of Patent: ****Jan. 27, 1998**

[54] **HANDHELD TIMEPIECE**

[75] Inventors: **Galileo P. Ramos**, Lapu-lapu, Philippines; **David Quinlan**, Marion, Conn.

[73] Assignee: **Timex Corp.**, Middlebury, Conn.

[**] Term: **14 Years**

[21] Appl. No.: **57,623**

[22] Filed: **Jul. 29, 1996**

[51] **LOC (6) Cl.** **10-03**

[52] **U.S. Cl.** **D10/30**

[58] **Field of Search** D10/1-40, 122-132; 368/97-100, 107-121, 276-277, 285, 316, 317; 307/141, 141.4

Timex 1992 Catalog, p. 25.
Timex 1993 Catalog, pp. 24 & 25.
Timex 1994 Catalog, pp. 26 & 27.
Timex 1995 Catalog, pp. 36, 37, 38, 39.
Timex "Split Second" Sports Catalog, pp. 11, 12, 13, 14, 15.
Timex 1995 Supplement.
Timex 1996 Catalog, pp. 32,33, 34, 35, 36, 40.

Primary Examiner—Nelson C. Holtje
Attorney, Agent, or Firm—Paul R. Juhasz

[57] CLAIM

The ornamental design for a "handheld timepiece", as shown and described.

DESCRIPTION

FIG. 1 is a perspective elevational view of a "handheld timepiece";
FIG. 2 is a rear side elevational view thereof;
FIG. 3 is a top plan view thereof;
FIG. 4 is a right side elevational view thereof the other end elevational view being a mirror image is not shown;
FIG. 5 is a front side elevational view thereof; and,
FIG. 6 is the bottom plan view thereof.

[56] References Cited

U.S. PATENT DOCUMENTS

- D. 287,341 12/1986 Grimes .
- D. 338,160 8/1993 Houlihan .
- D. 339,303 9/1993 Sugita D10/30 X
- 3,871,170 3/1975 Bergey .

OTHER PUBLICATIONS

Hong Kong Enterprise—Oct. 1990 —p. 154—Timers.
Hong Kong Enterprise—Nov. 1985 p. 93—Timers at bottom.
Timex 1991 Catalog, p. 27.

1 Claim, 2 Drawing Sheets

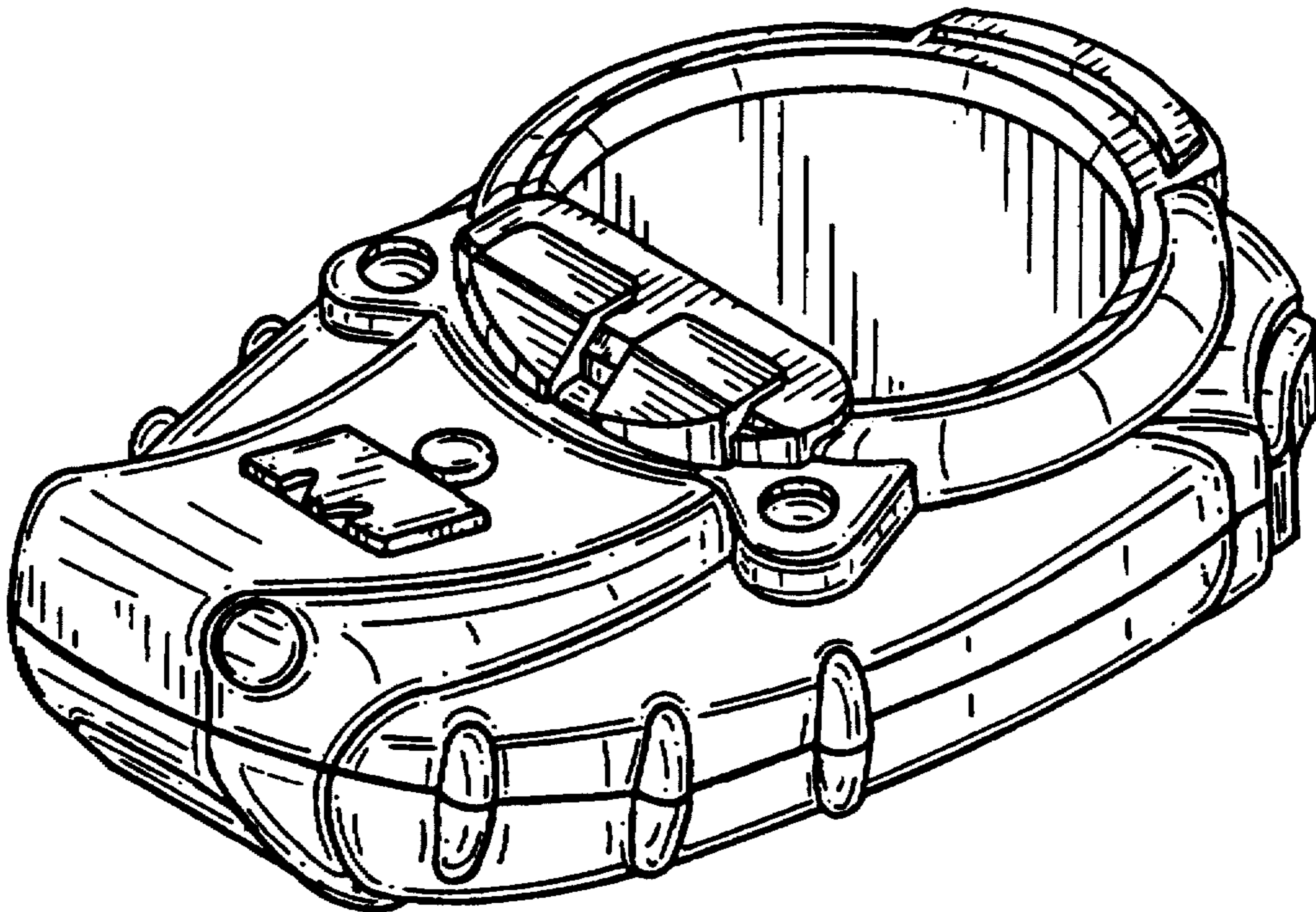


FIG. 1

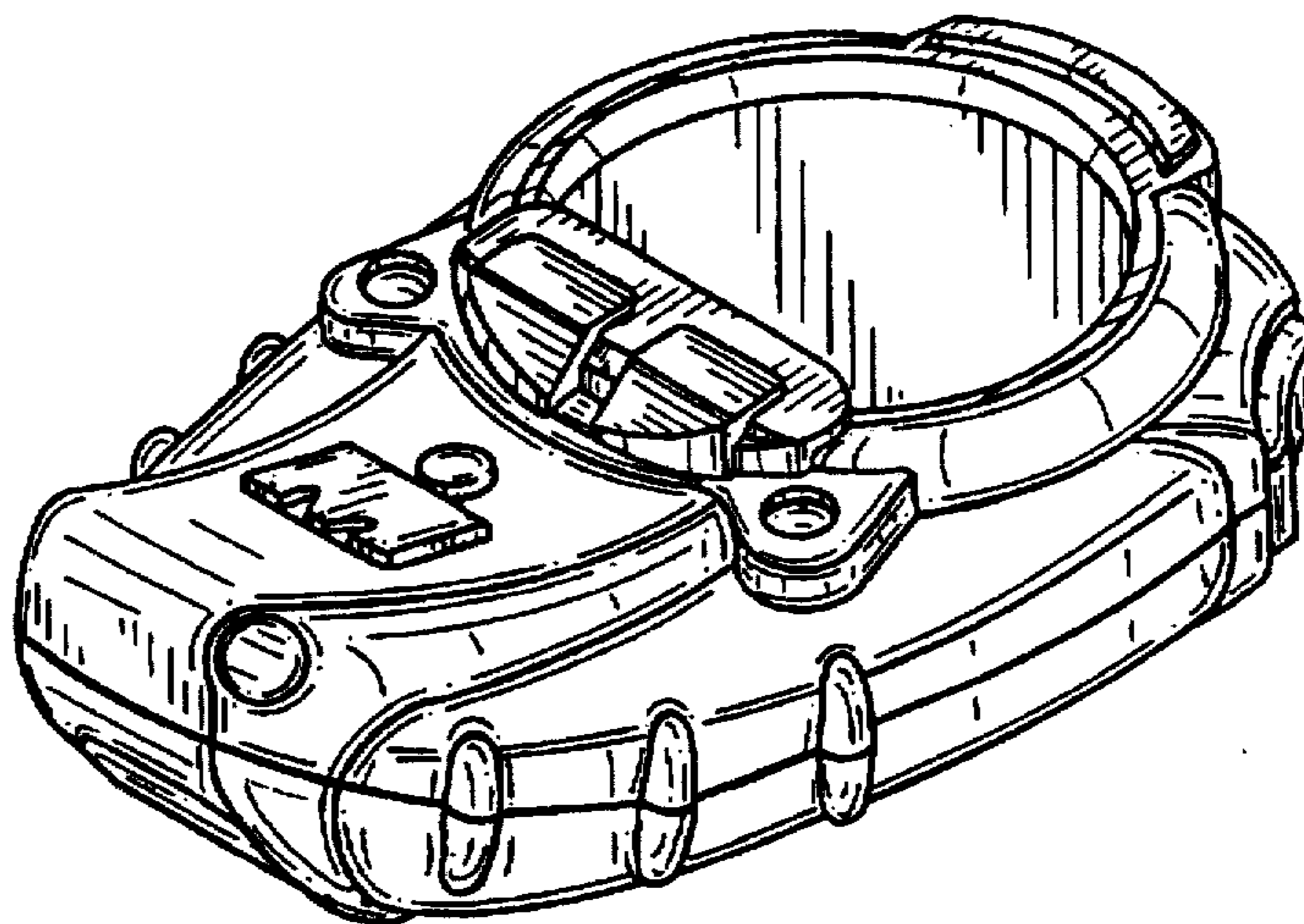


FIG. 6

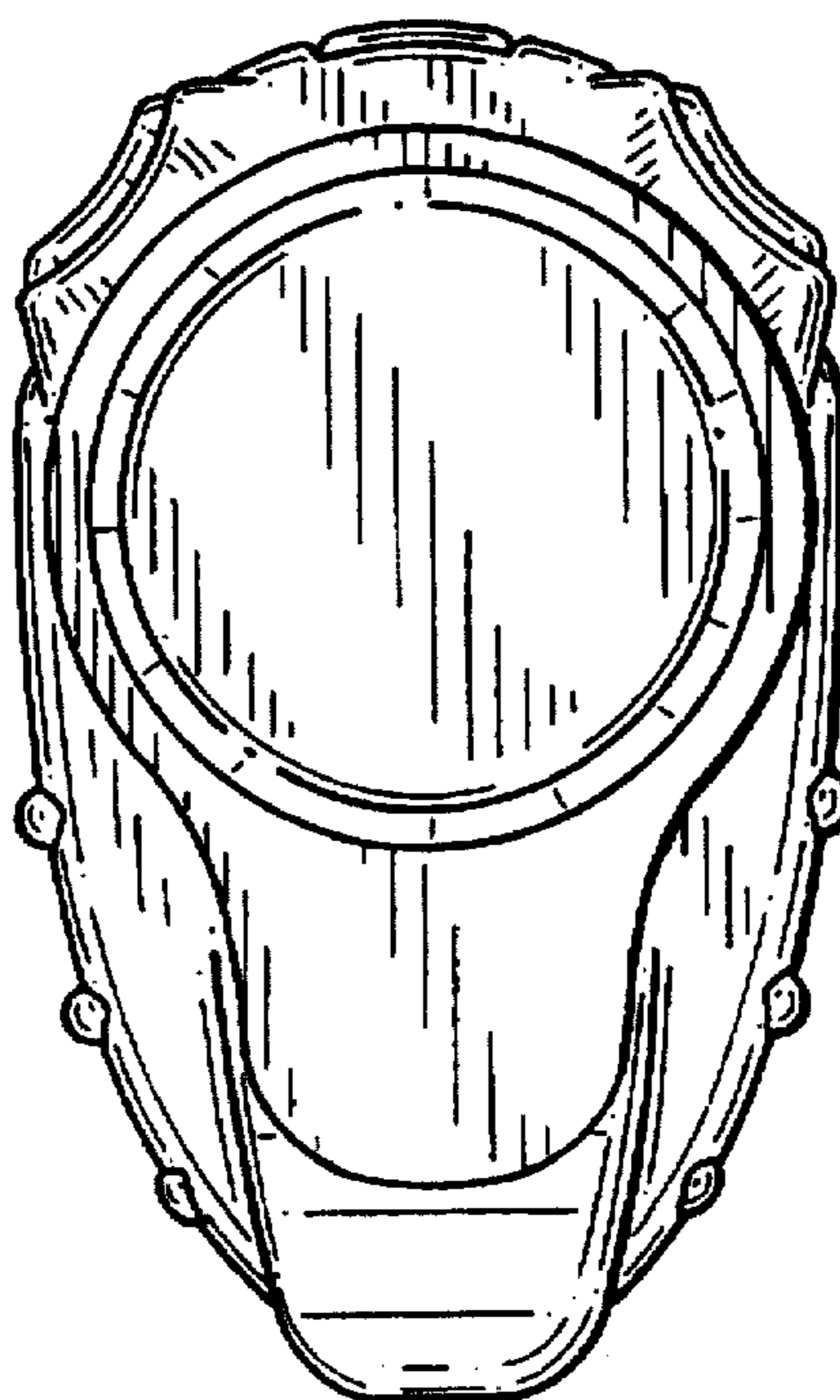


FIG. 2

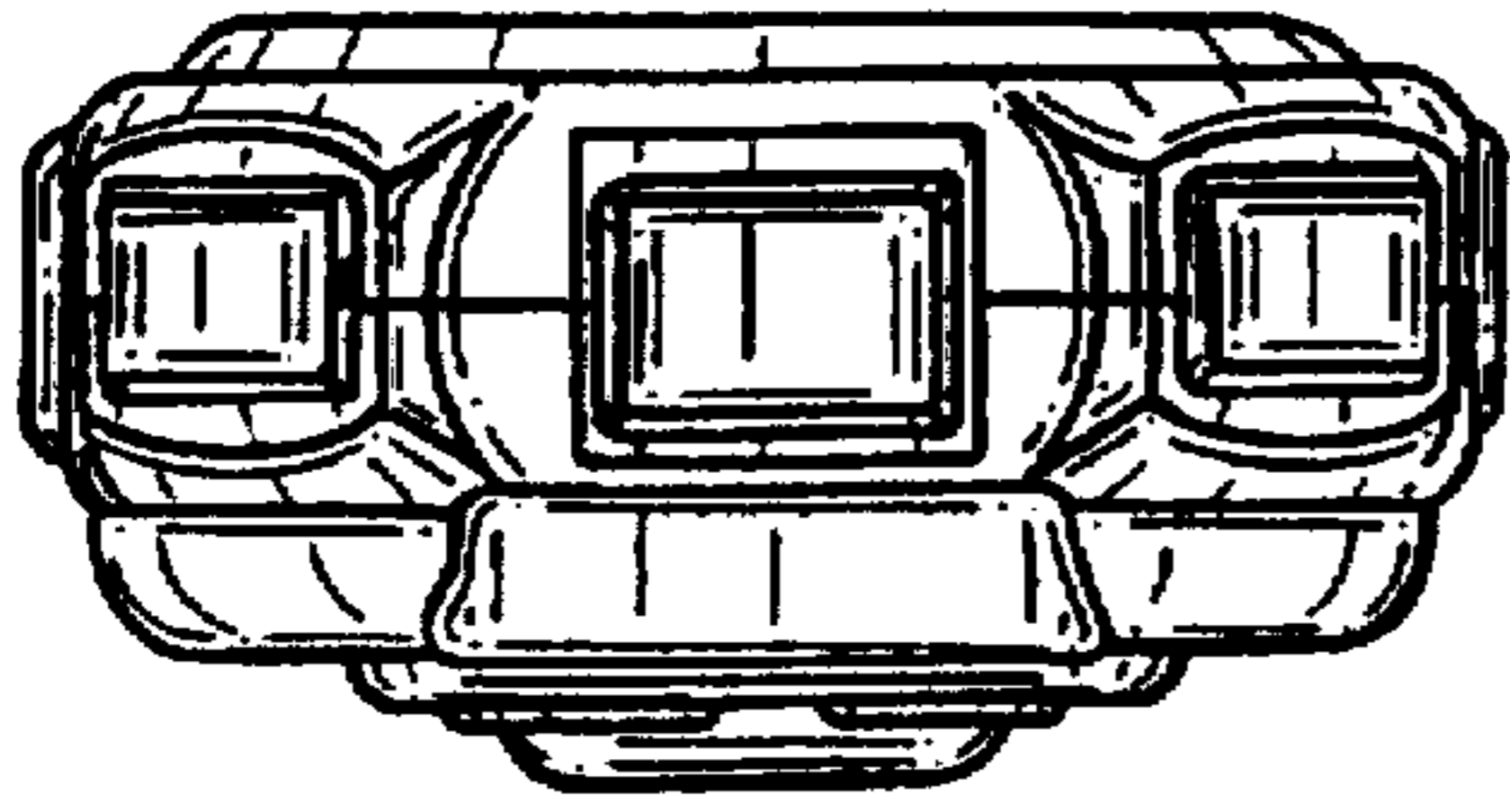


FIG. 3

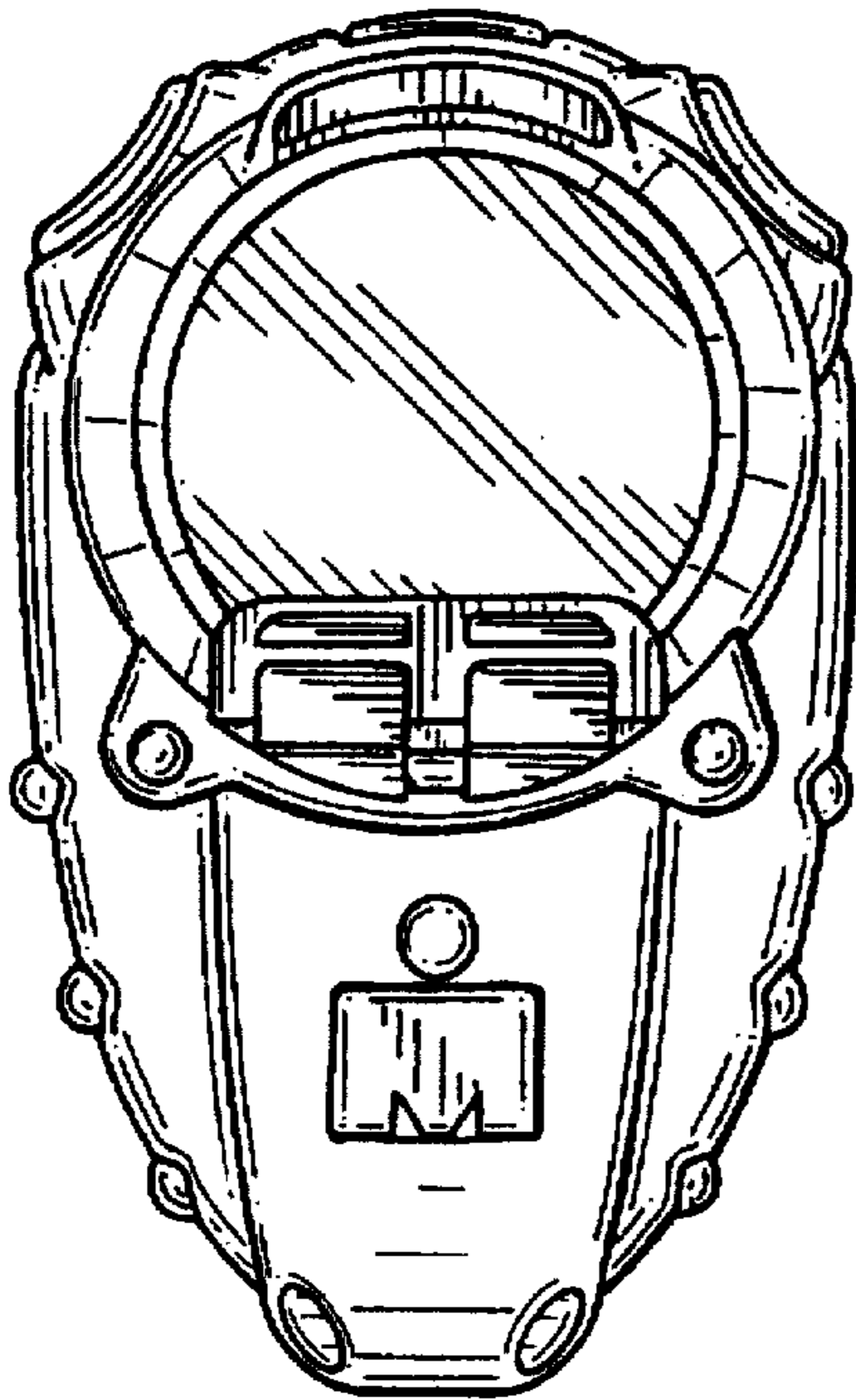


FIG. 4

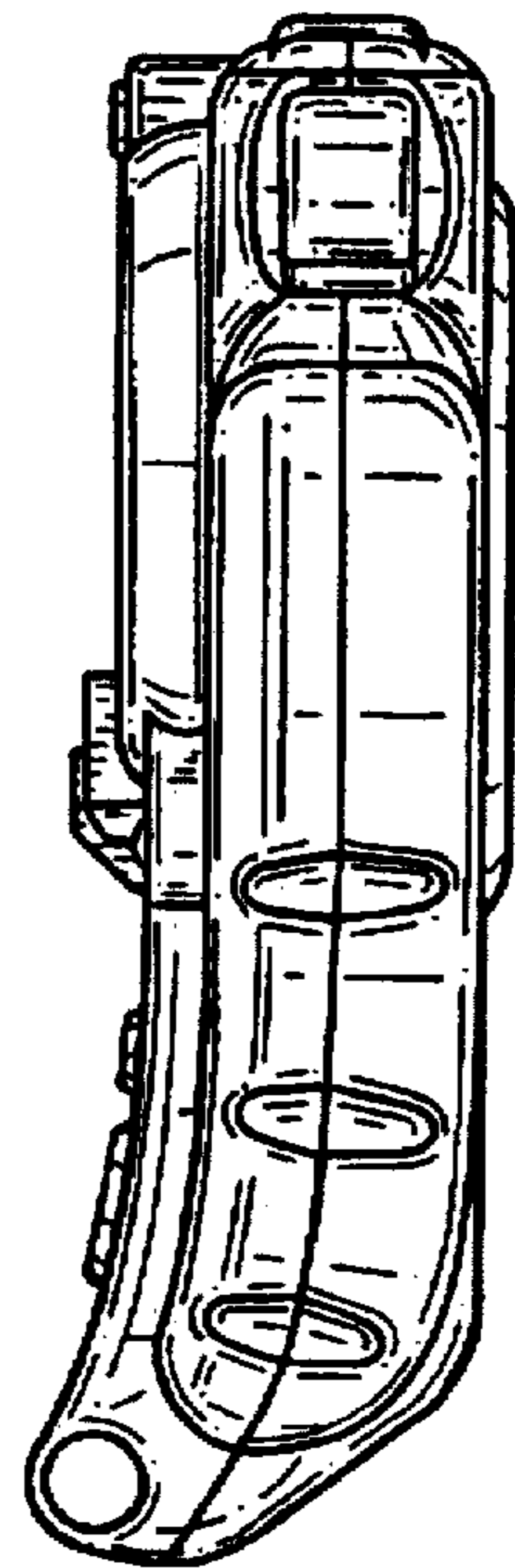


FIG. 5

