



US00D389739S

United States Patent [19]

Auclair

[11] **Patent Number: Des. 389,739**

[45] **Date of Patent: **Jan. 27, 1998**

- [54] **CAN CARRIER**
- [75] **Inventor: Jean-Michel Auclair, Chateauroux, France**
- [73] **Assignee: The Mead Corporation, Dayton, Ohio**
- [**] **Term: 14 Years**
- [21] **Appl. No.: 66,156**
- [22] **Filed: Feb. 4, 1997**
- [51] **LOC (6) Cl. 09-07**
- [52] **U.S. Cl. D9/433; D9/418; D9/432**
- [58] **Field of Search D9/341, 344-346, D9/414, 418, 431-433; 206/161-162, 168, 193-194, 426-427, 434, 446, 476, 499; 229/117.12-117.15, 120.08**

5,542,539 8/1996 Early 206/499
 5,558,224 9/1996 Fogle 206/427

Primary Examiner—Sandra L. Morris
Assistant Examiner—Nanda Bondade
Attorney, Agent, or Firm—Michael V. Drew

[57] CLAIM

The ornamental design for a can carrier, as shown and described.

DESCRIPTION

FIG. 1 is an isometric view of a can carrier showing my new design;
 FIG. 2 is a top plan view of FIG. 1, both the top and bottom having the same appearance;
 FIG. 3 is a side elevational view of FIG. 1, both sides having the same appearance;
 FIG. 4 is an end elevational view of one end of FIG. 1, both ends having the same appearance; and
 FIG. 5 is a top plan view of FIG. 1 shown in an unfolded condition.

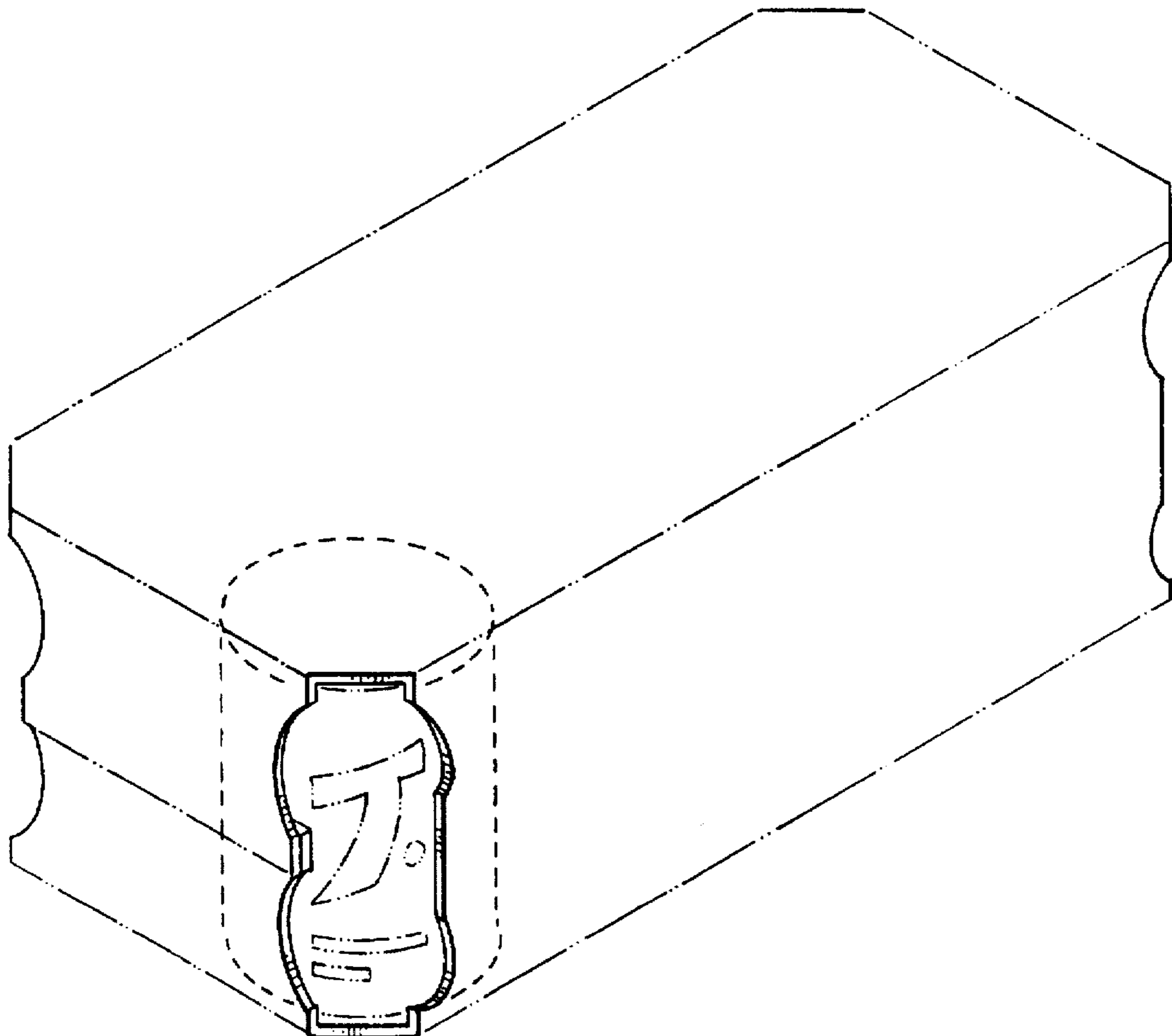
The broken line showing on FIGS. 1-5 and the can with the indicia on FIG. 1 is for illustrative purposes only and forms no part of the claimed design.

[56] References Cited

U.S. PATENT DOCUMENTS

D. 237,144	10/1975	Graser	D9/433	X
D. 355,847	2/1995	Woolaway	D9/433	X
4,403,689	9/1983	Wood	206/427	X
4,890,737	1/1990	Kadleck et al.	206/427	
4,919,266	4/1990	McIntosh, Jr. et al.	206/427	X

1 Claim, 3 Drawing Sheets



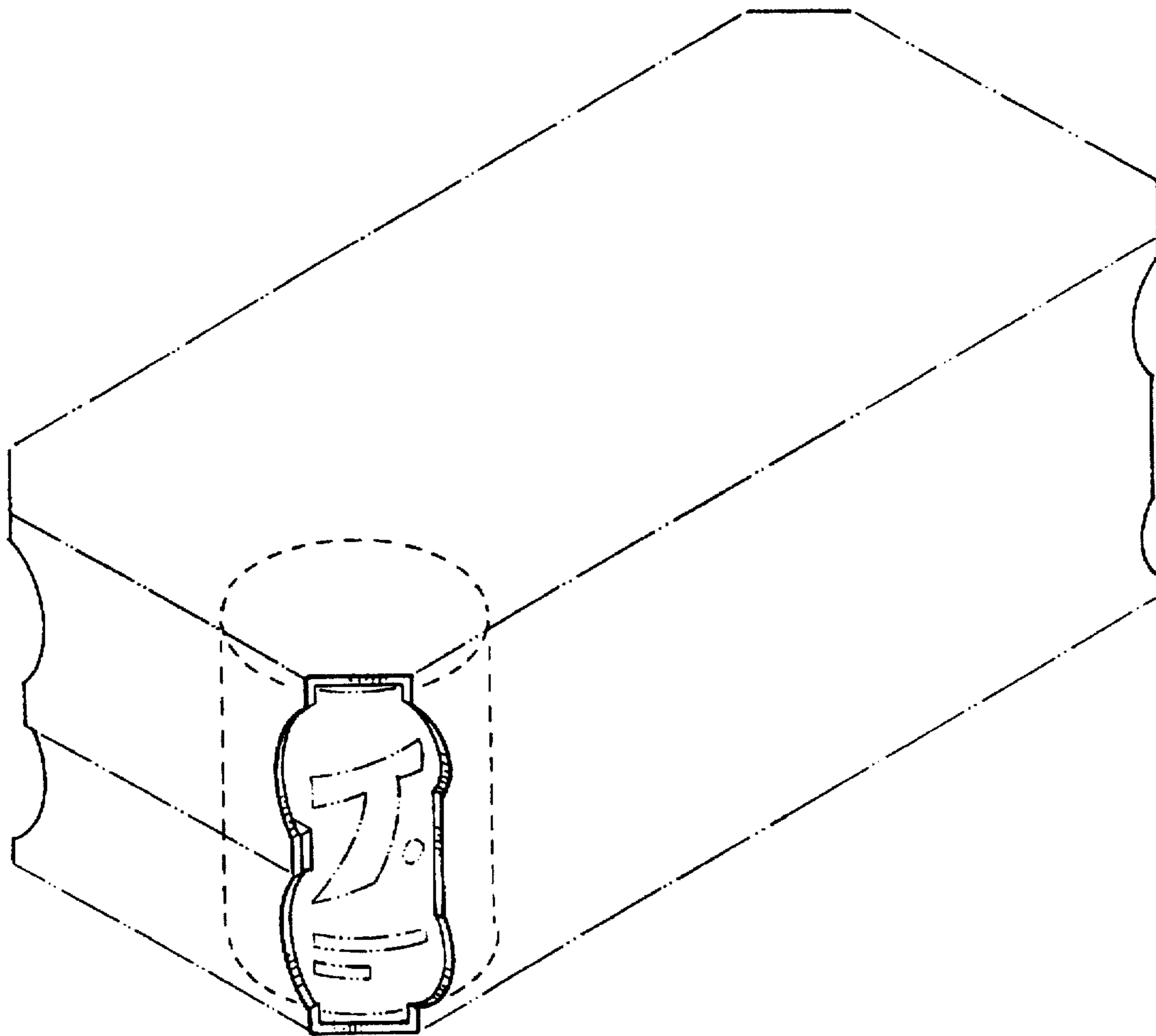


Fig. 1



Fig. 1

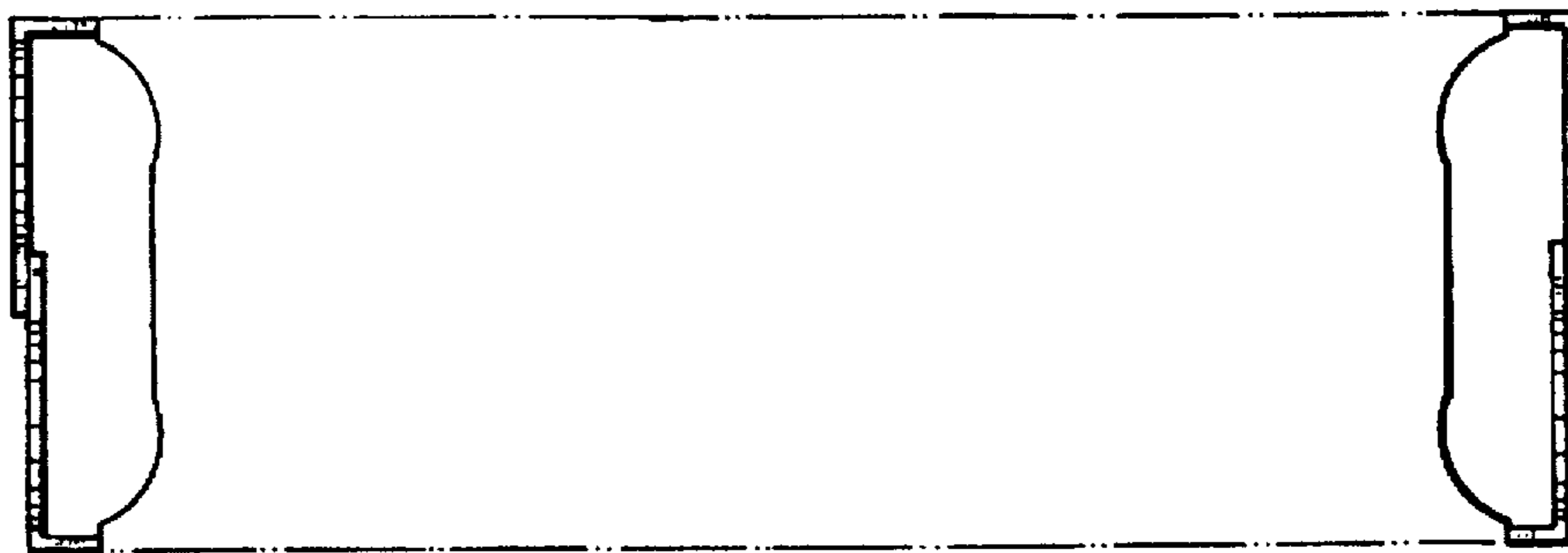
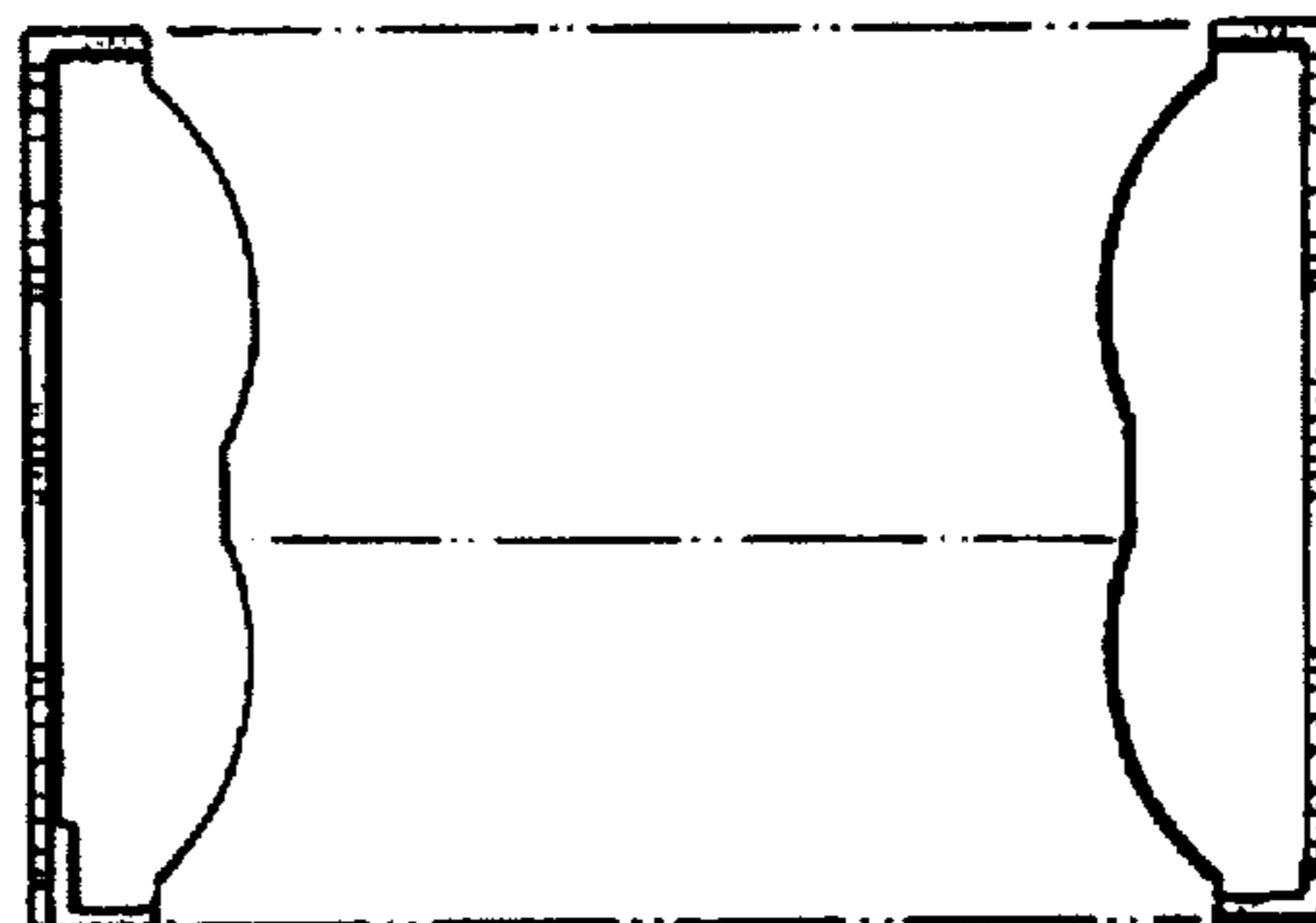


Fig. 2

Fig. 3



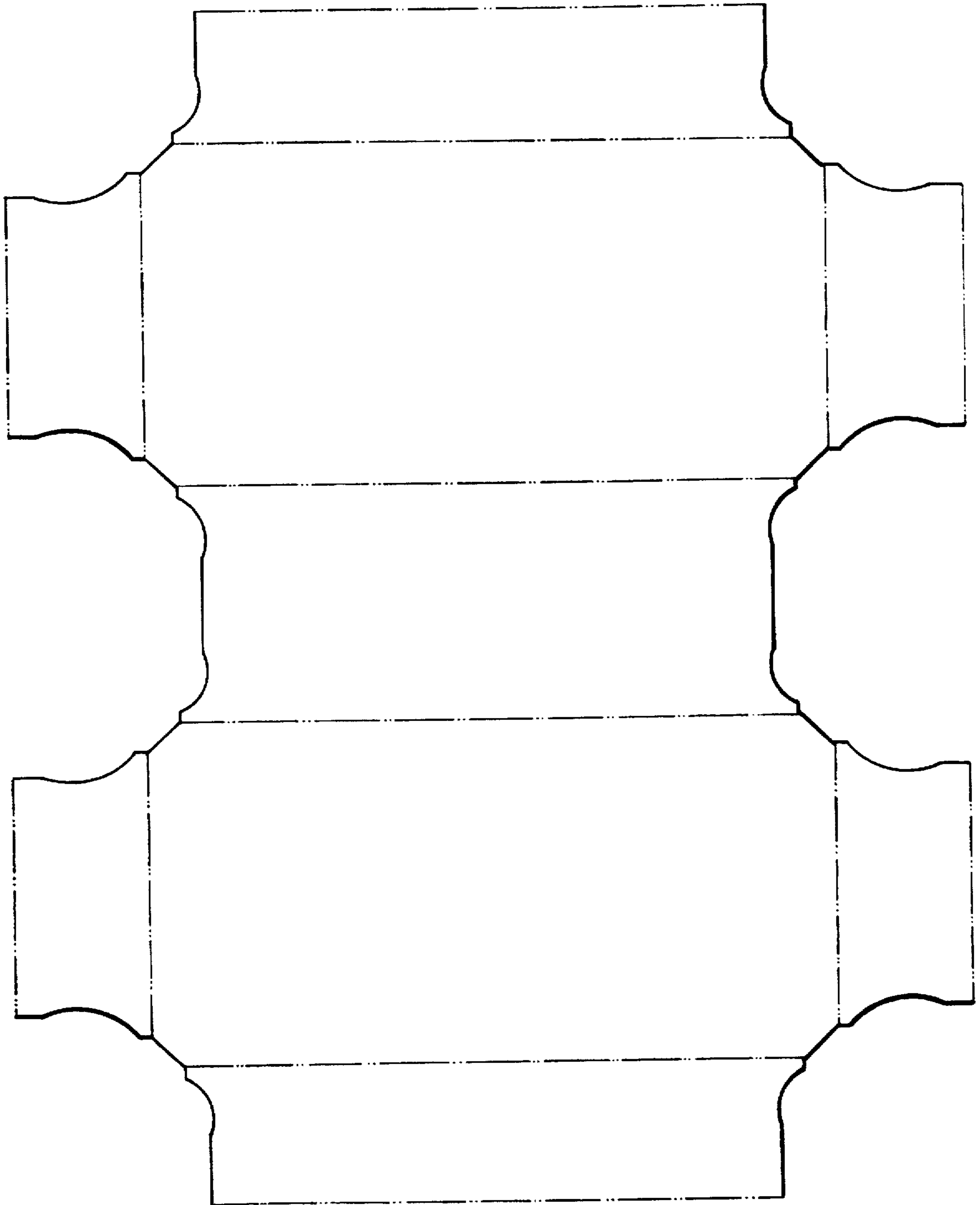


FIG. 5