



US00D389735S

United States Patent [19]
Carroll, III

[11] **Patent Number: Des. 389,735**
[45] **Date of Patent: **Jan. 27, 1998**

[54] **PROMOTIONAL PACKAGING ASSEMBLY FOR LABELS**

[76] **Inventor: Leo P. Carroll, III, 9 Lakeview Dr., Shelburne, Vt. 05482**

[**] **Term: 14 Years**

[21] **Appl. No.: 50,112**

[22] **Filed: Feb. 8, 1996**

[51] **LOC (6) Cl. 09-03**

[52] **U.S. Cl. D9/346**

[58] **Field of Search D9/346, 418, 422, D9/423, 432, 433; D19/26; 206/425, 446; 229/103.2, 103.3; 283/28-29, 31, 34, 35, 38, 51, 56, 61-62, 63.1, 64**

[56] **References Cited**

U.S. PATENT DOCUMENTS

D. 255,219	6/1980	Slothouber	D9/346
715,162	12/1902	Schwartz	206/425
1,564,152	12/1925	Thomson	206/458 X
1,942,762	1/1934	Harris	229/103.2 X
4,606,553	8/1986	Nickerson	283/56 X
5,104,146	4/1992	Schulz et al.	283/56 X
5,291,990	3/1994	Sejzer	206/526 X
5,478,120	12/1995	D'Andrea	283/63.1 X

Primary Examiner—Sandra L. Morris
Assistant Examiner—Nanda Bondade
Attorney, Agent, or Firm—Theodore R. Touw

[57] **CLAIM**

The ornamental design for a promotional packaging assembly for labels, as shown and described.

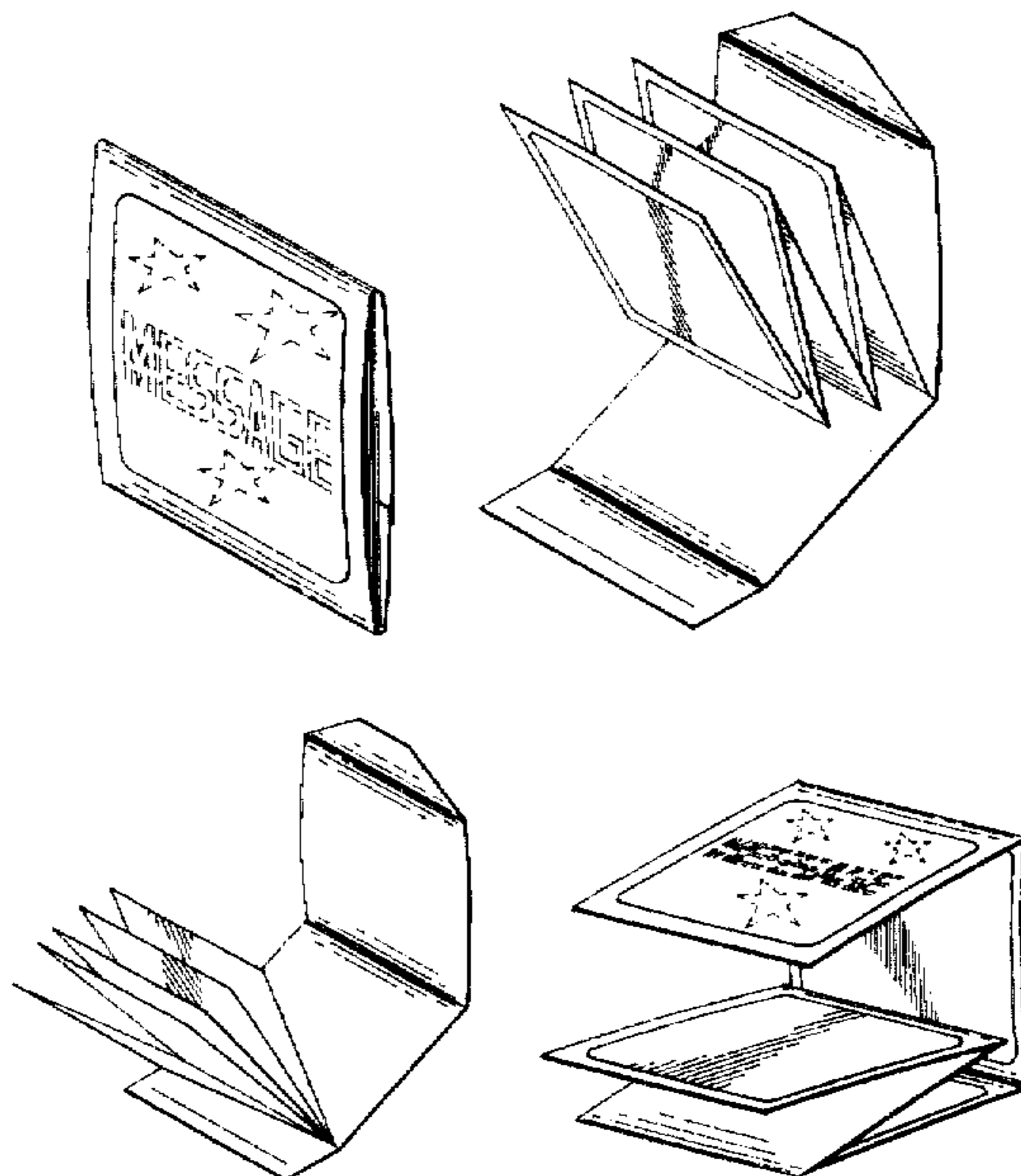
DESCRIPTION

FIG. 1 is a perspective view of a promotional packaging assembly for labels showing the design;

FIG. 2 is a perspective detail view of a portion thereof;
 FIG. 3 is a rear perspective view thereof;
 FIG. 4 is a perspective view thereof in its open configuration;
 FIG. 5 is a front elevational view thereof;
 FIG. 6 is a right side elevational view thereof, the left side elevational view differing only in being a mirror image of the right side;
 FIG. 7 is a rear elevational view thereof;
 FIG. 8 is a top plan view thereof;
 FIG. 9 is a bottom plan view thereof;
 FIG. 10 is a perspective view of a second embodiment thereof in its open configuration;
 FIG. 11 is a perspective view of a third embodiment thereof in its open configuration;
 FIG. 12 is a perspective view of a fourth embodiment thereof in its open configuration;
 FIG. 13 is a perspective view of a fifth embodiment thereof in its closed configuration;
 FIG. 14 is a perspective view of said fifth embodiment thereof in its open configuration;
 FIG. 15 is a front elevational view of said fifth embodiment thereof;
 FIG. 16 is a rear elevational view of said fifth embodiment thereof;
 FIG. 17 is a right side elevational view of said fifth embodiment, the left side elevational view differing only in being a mirror image of the right side;
 FIG. 18 is a top plan view of said fifth embodiment thereof; and,
 FIG. 19 is a bottom plan view of said fifth embodiment thereof.

The undisclosed views of the second, third, and fourth embodiments are the same as the first embodiment.
 FIGS. 2, 6, 8, 9, 17, 18, and 19 are on an enlarged scale.
 The broken line showing on FIGS. 1, 2, 5, and 13-15 is for illustrative purposes only and forms no part of the claimed design.

1 Claim, 4 Drawing Sheets



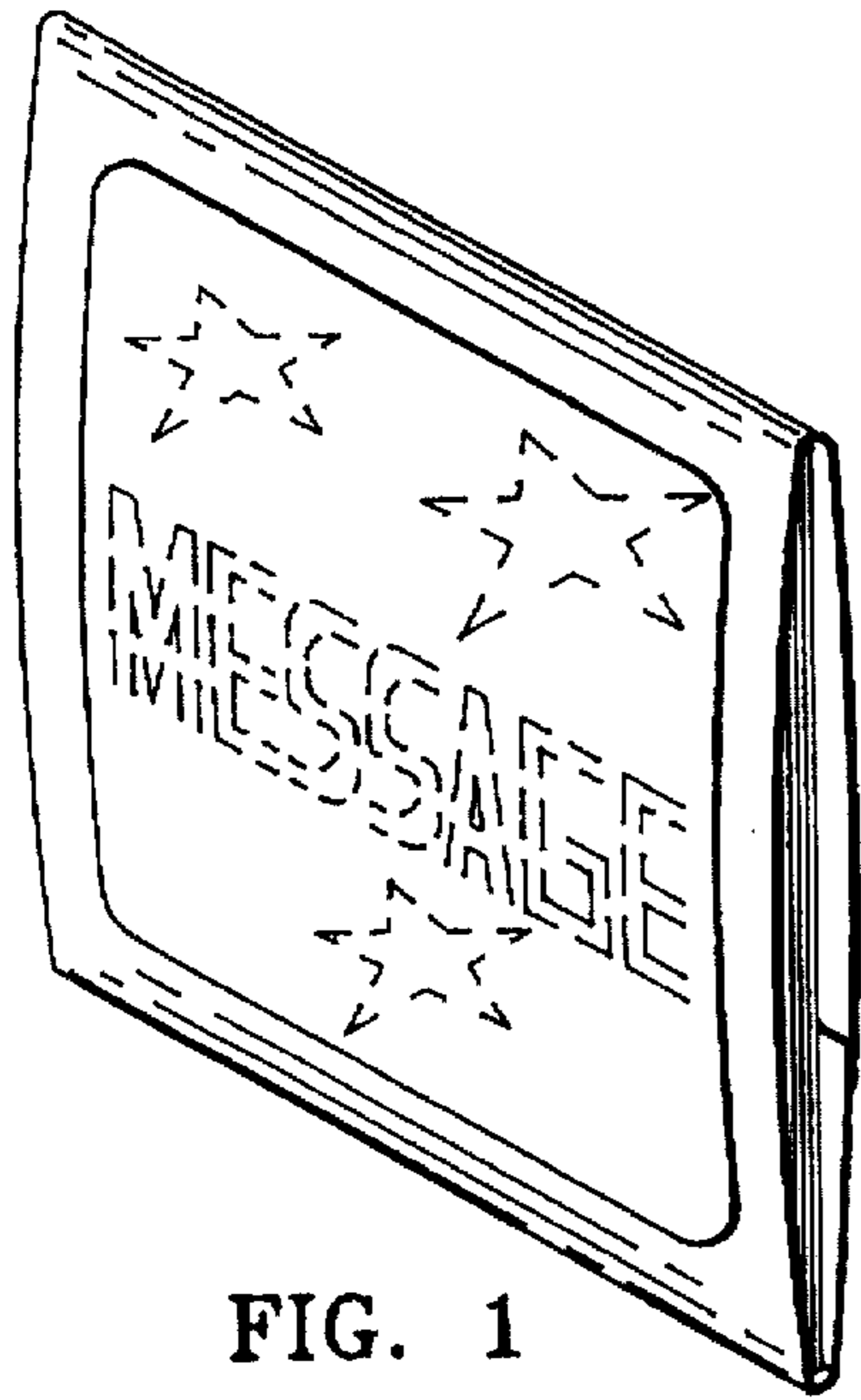


FIG. 1

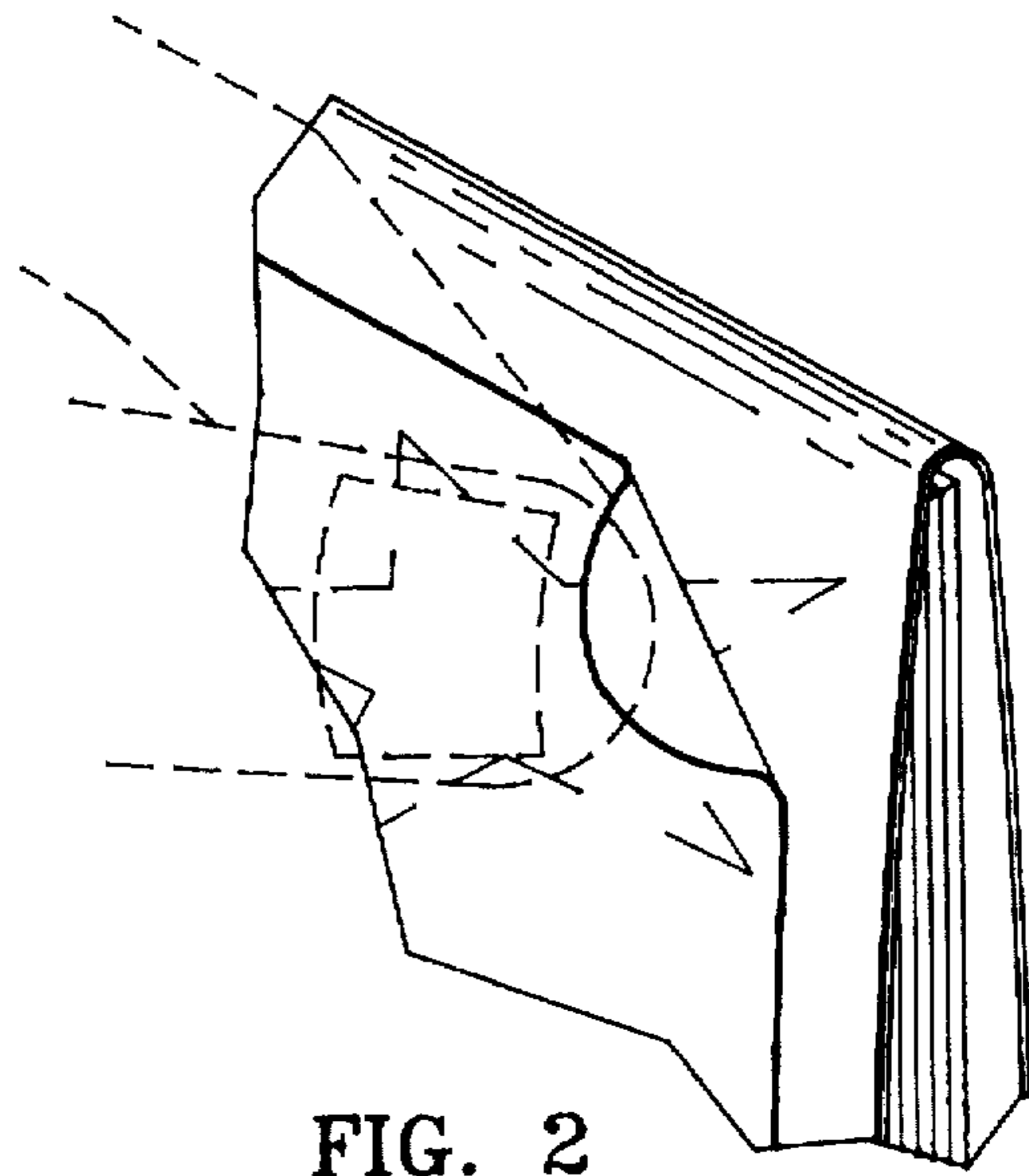


FIG. 2

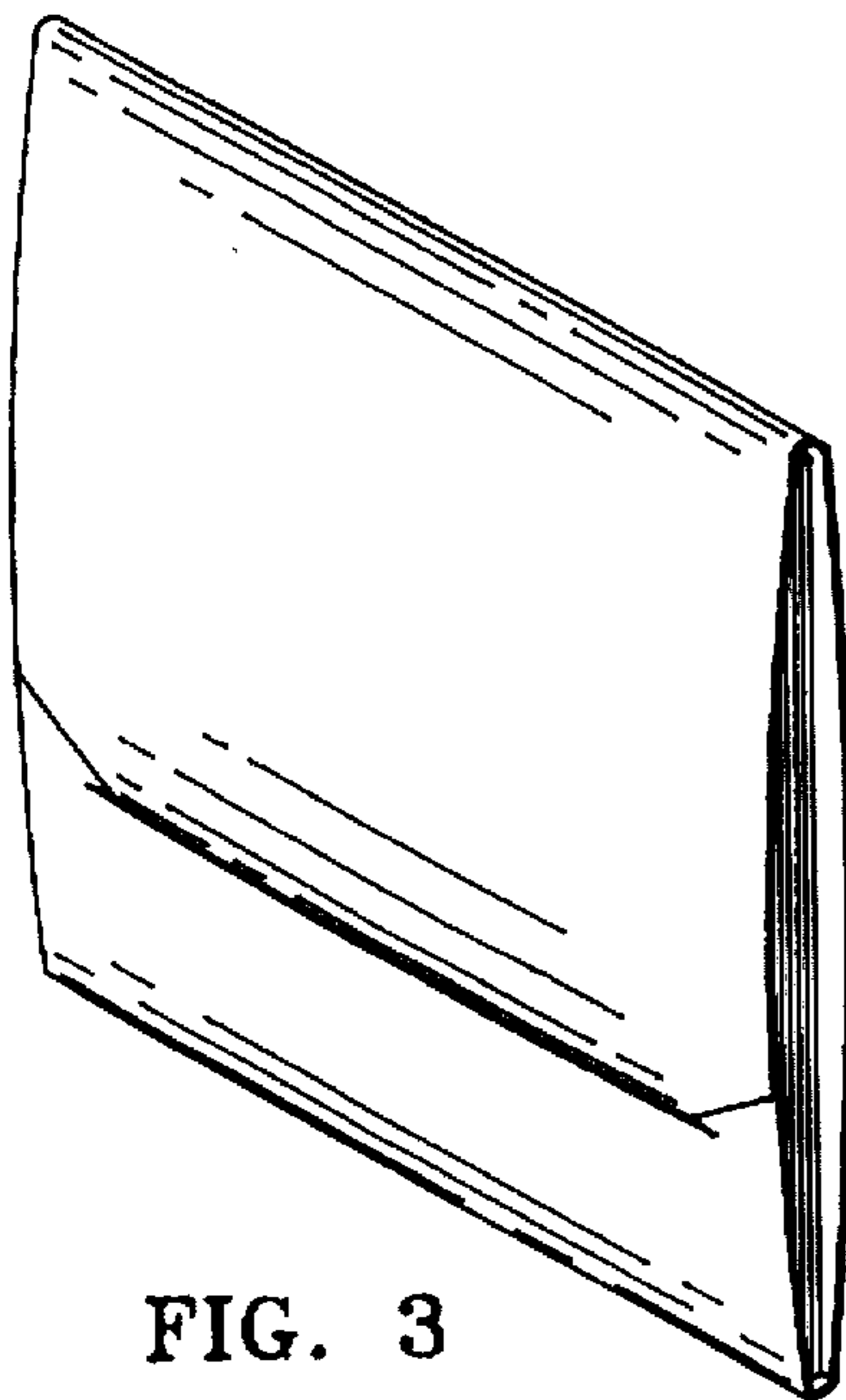


FIG. 3

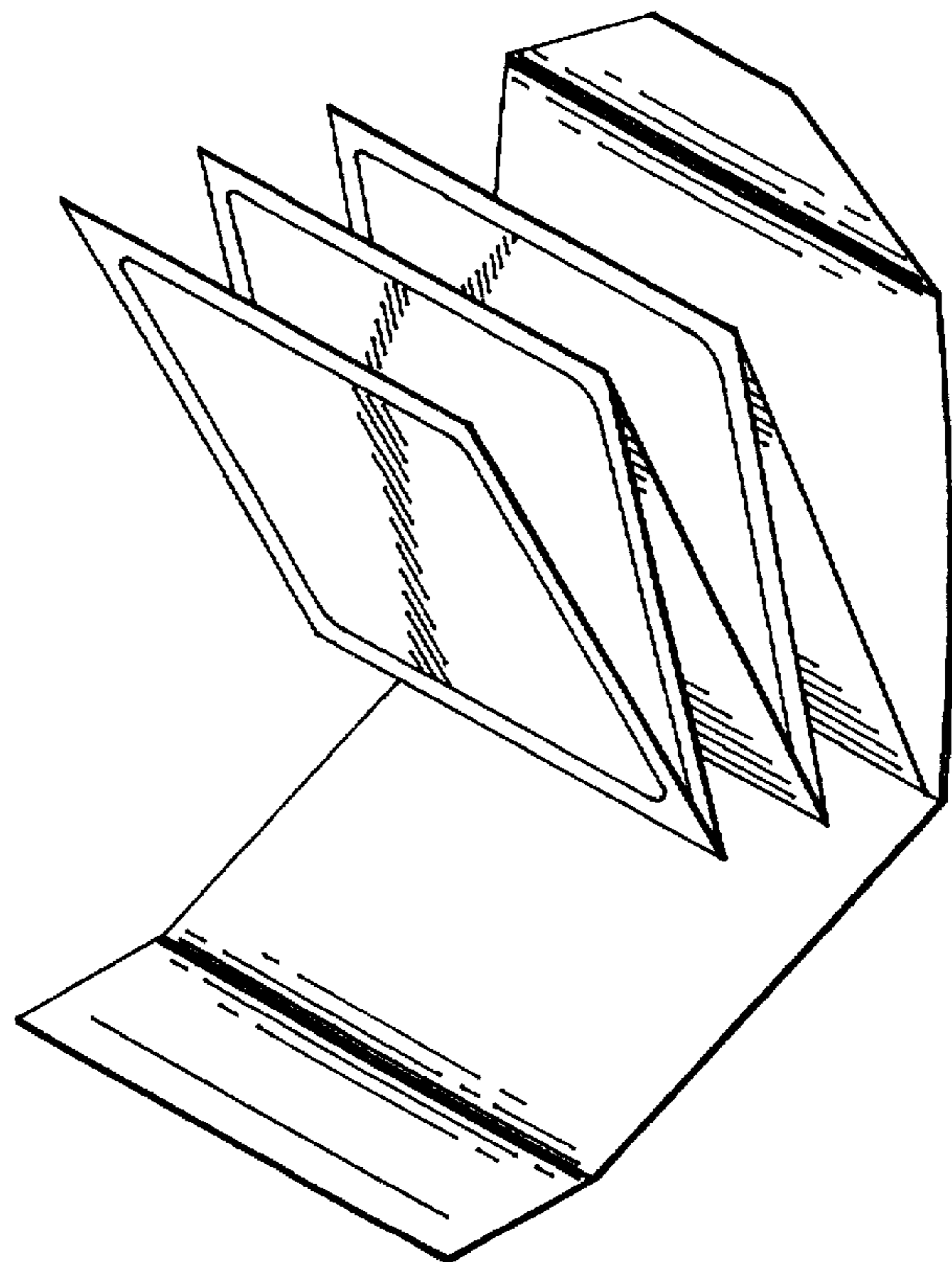


FIG. 4

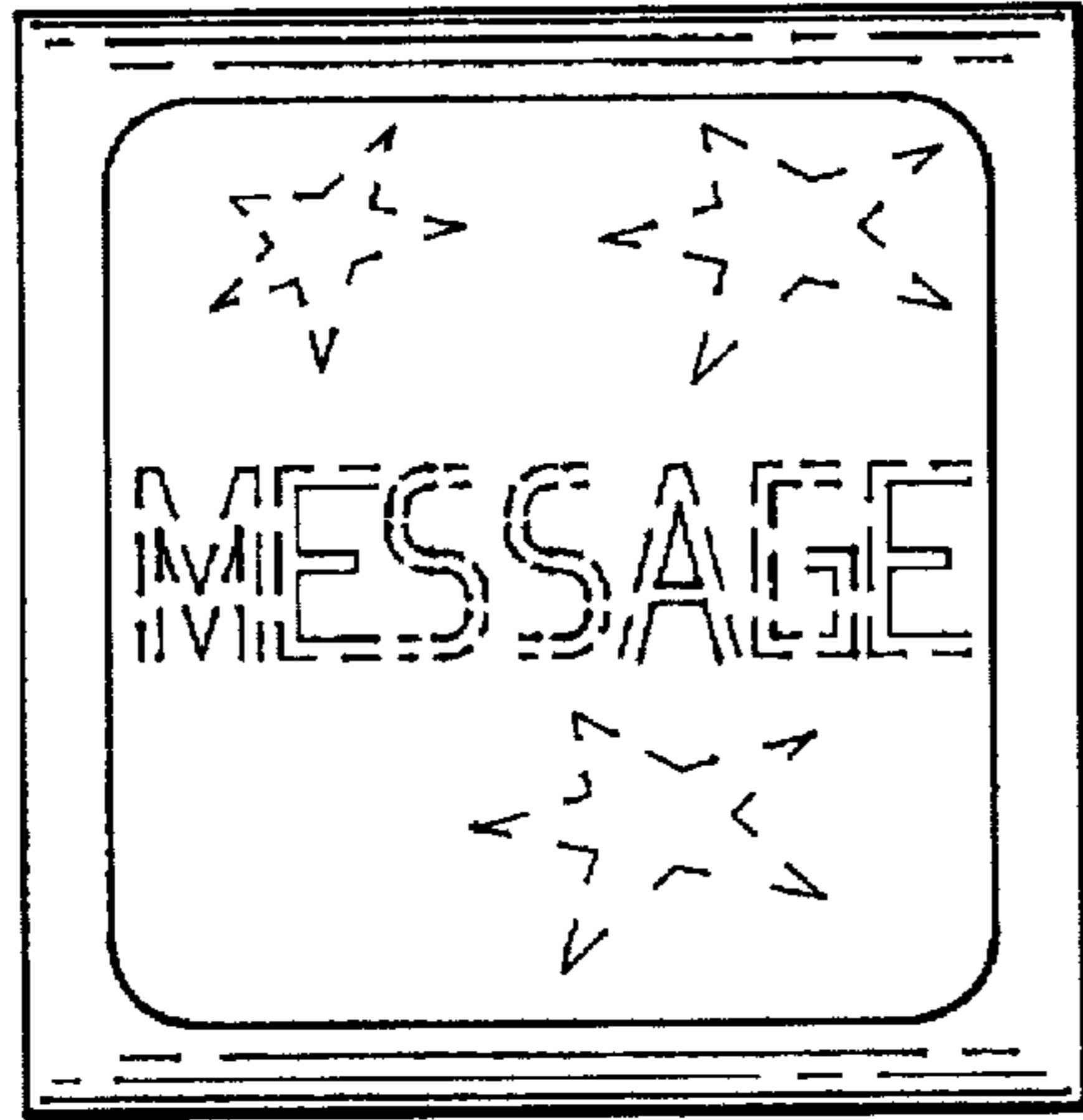


FIG. 5

FIG. 6

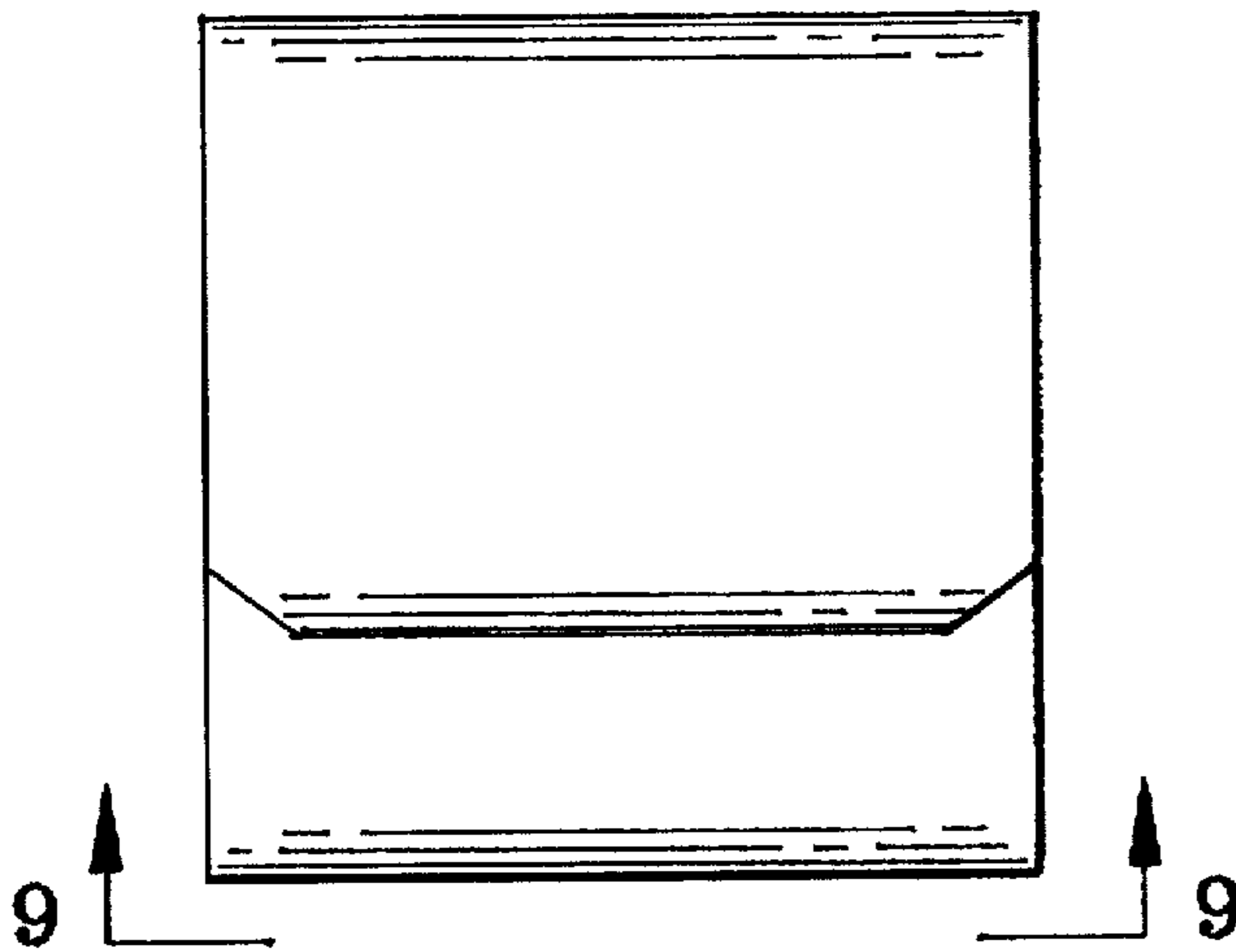


FIG. 7

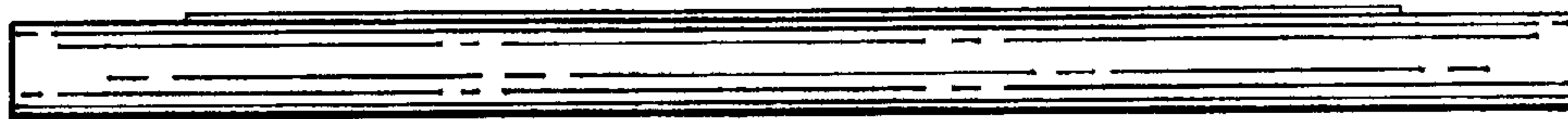


FIG. 8

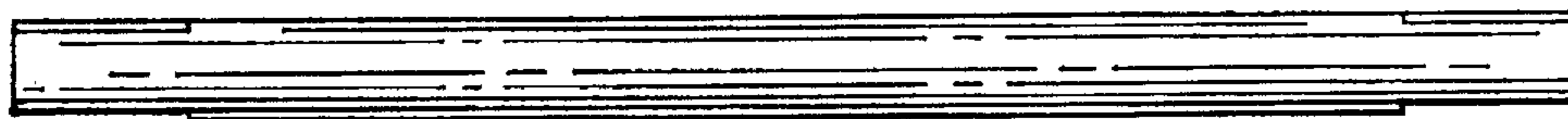


FIG. 9

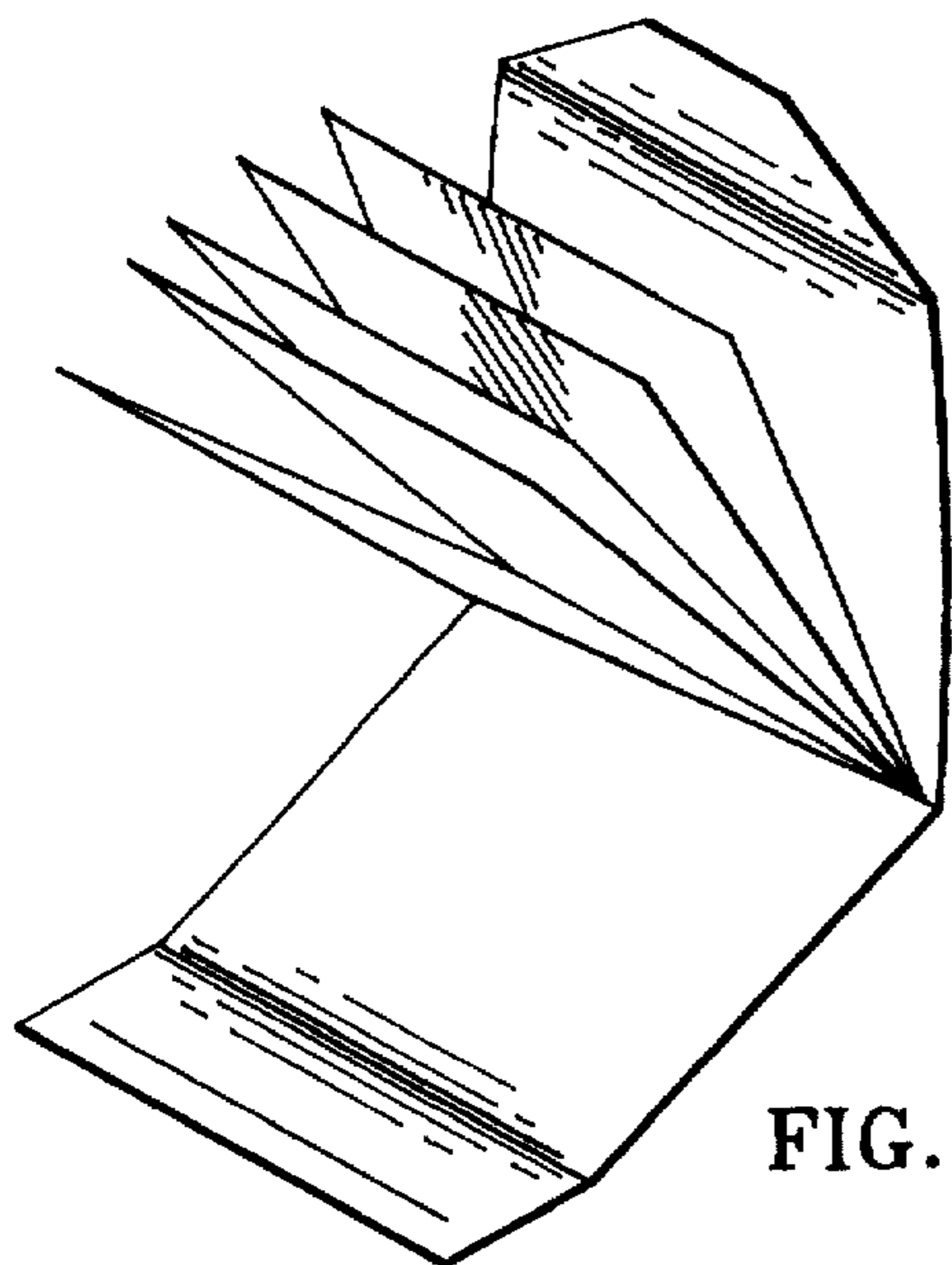


FIG. 10

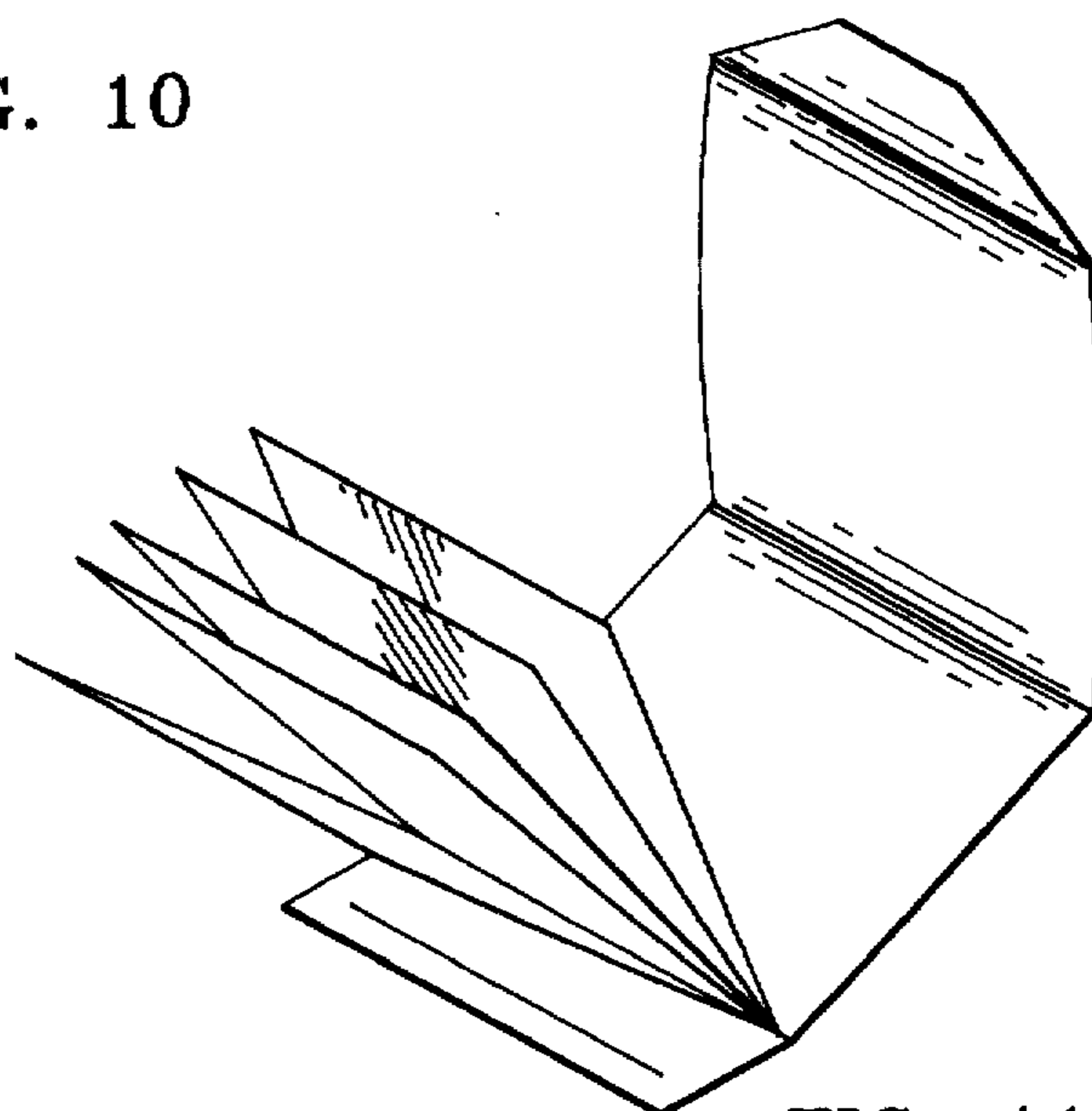


FIG. 11

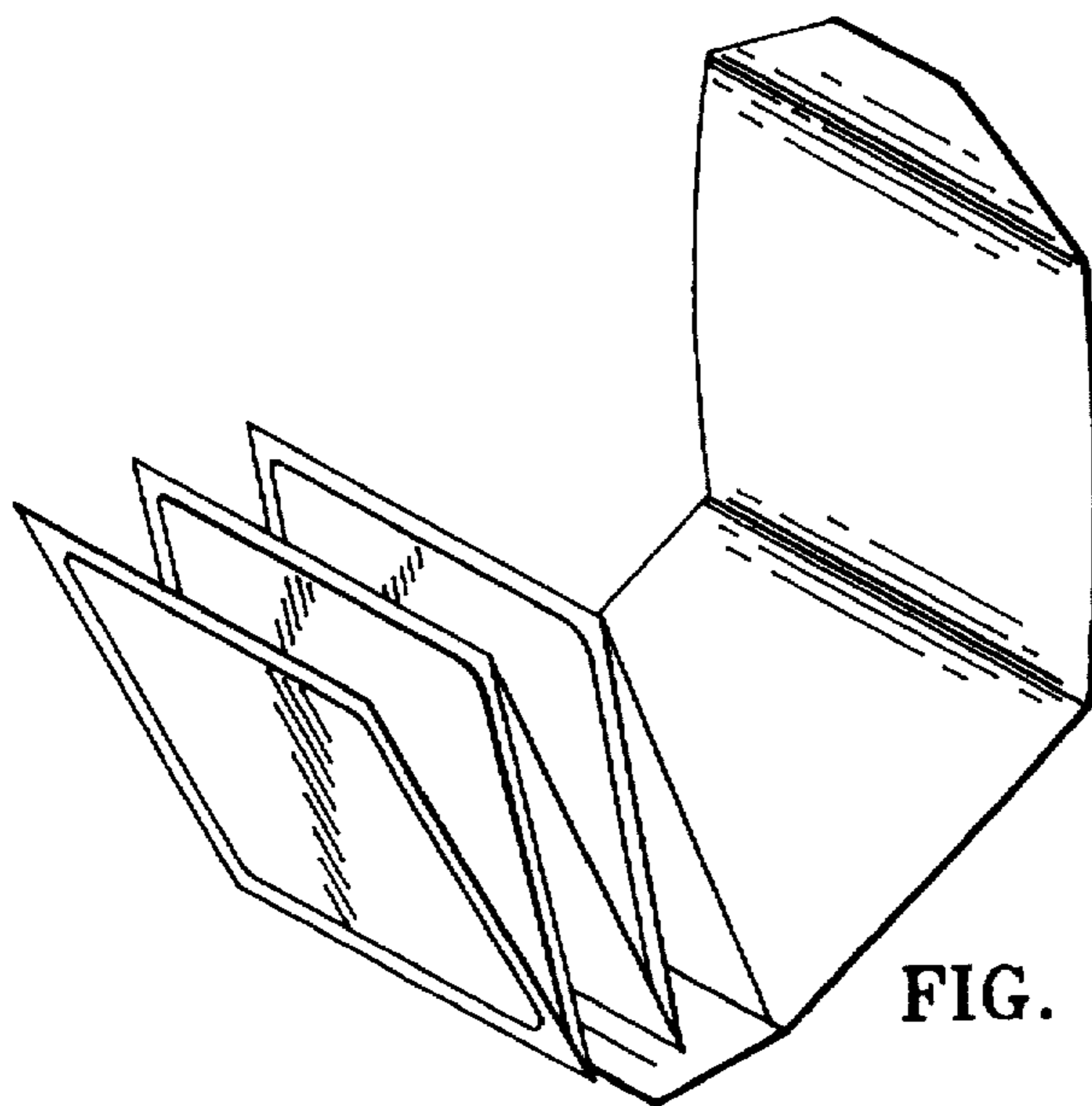


FIG. 12

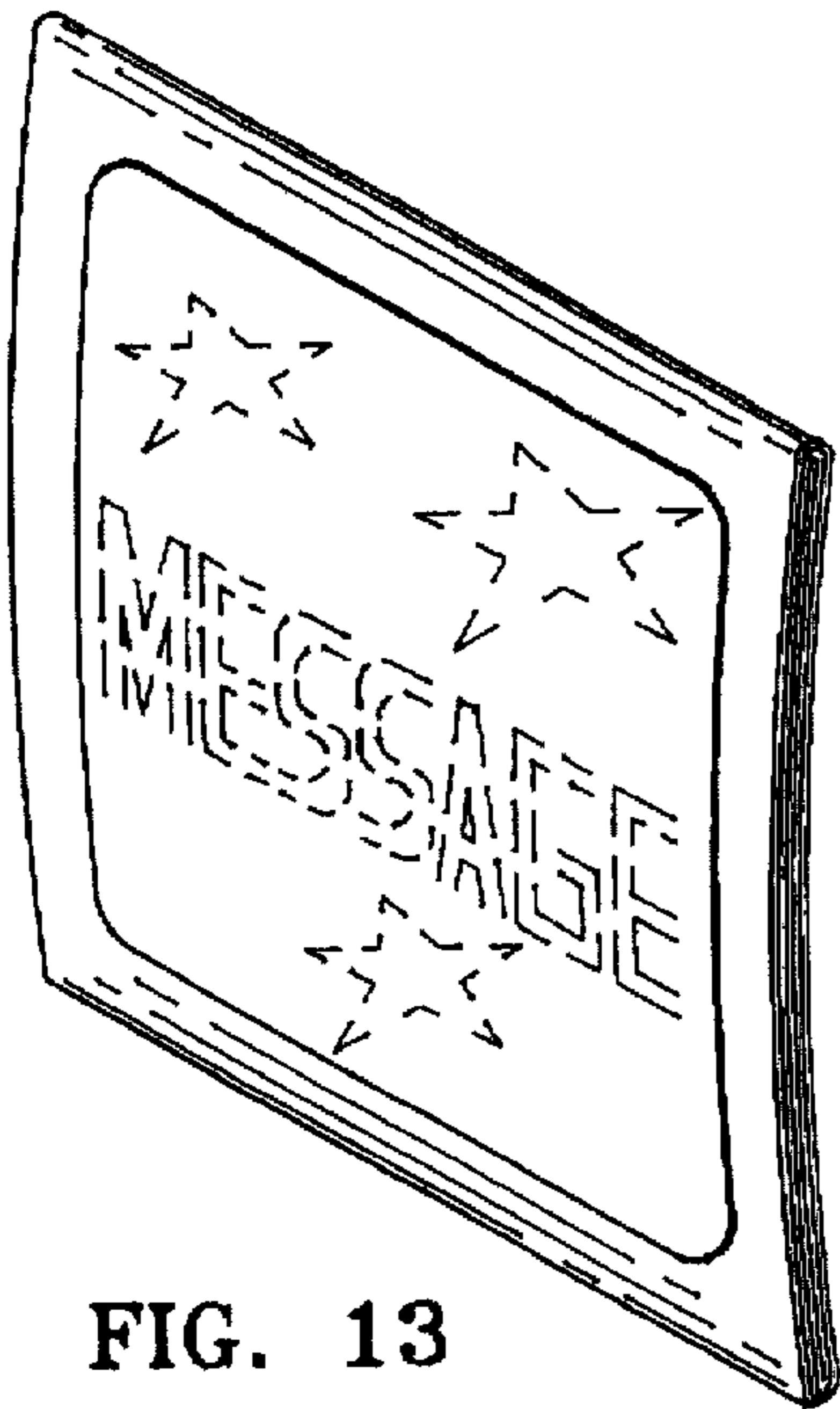


FIG. 13

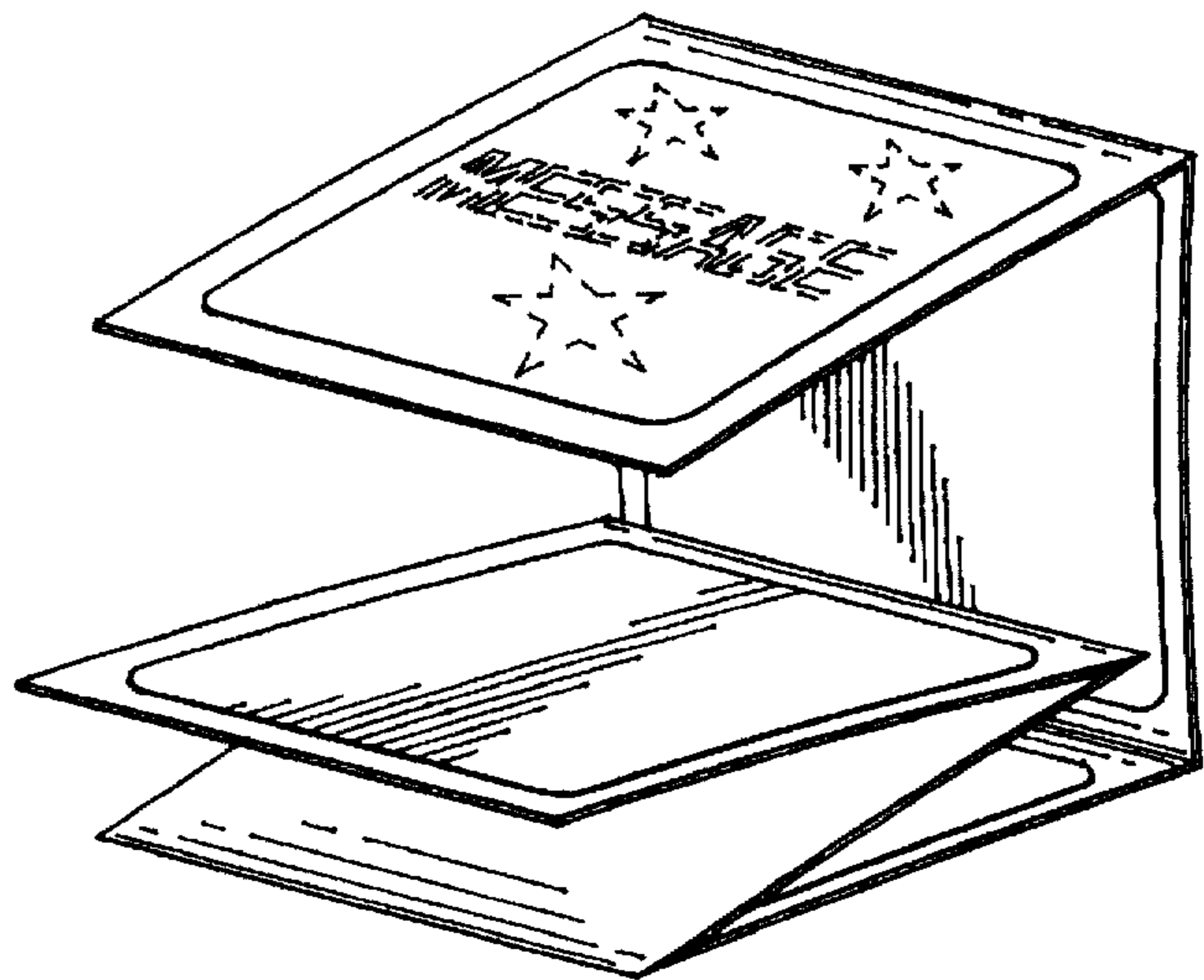


FIG. 14

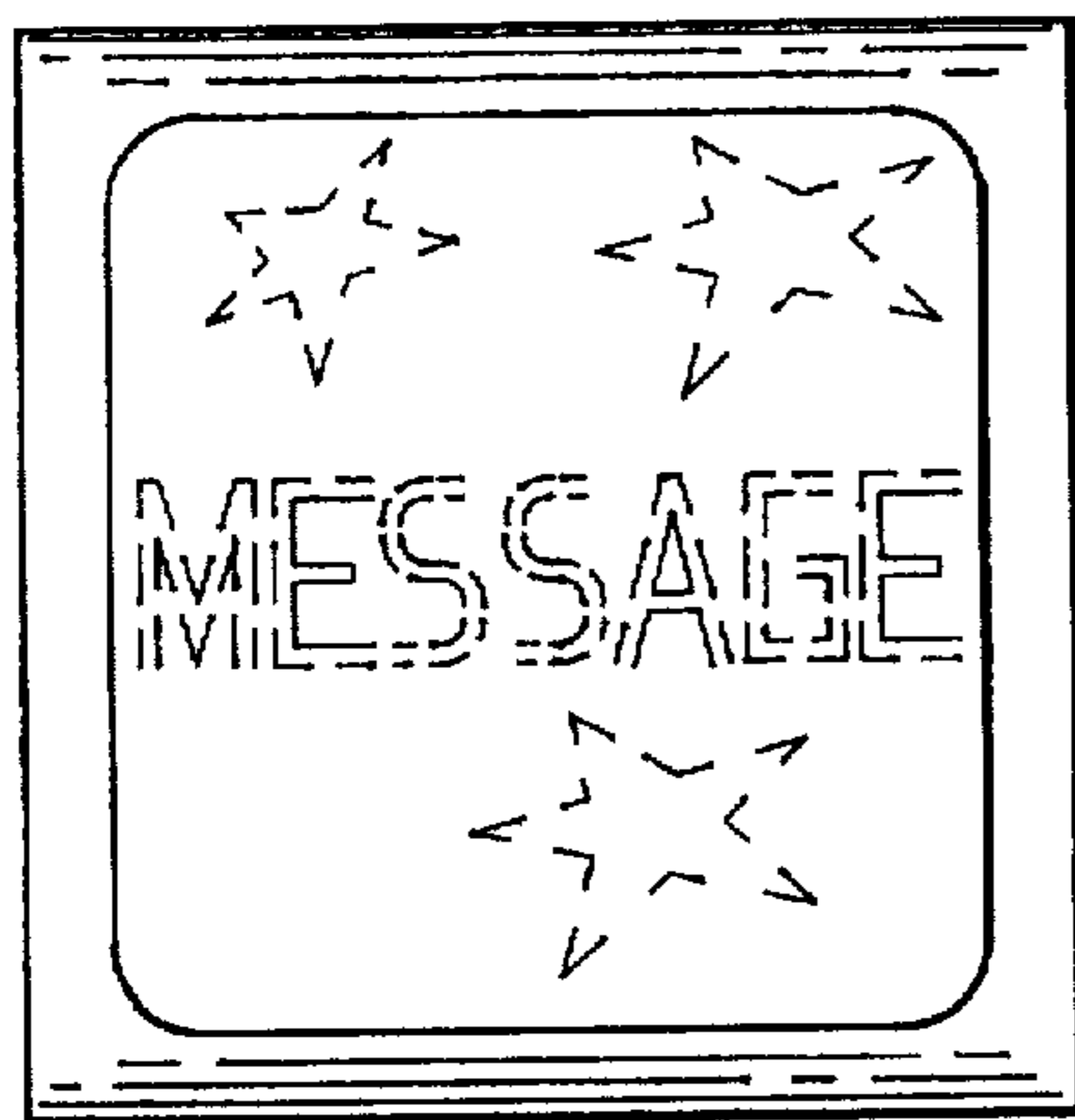


FIG. 15

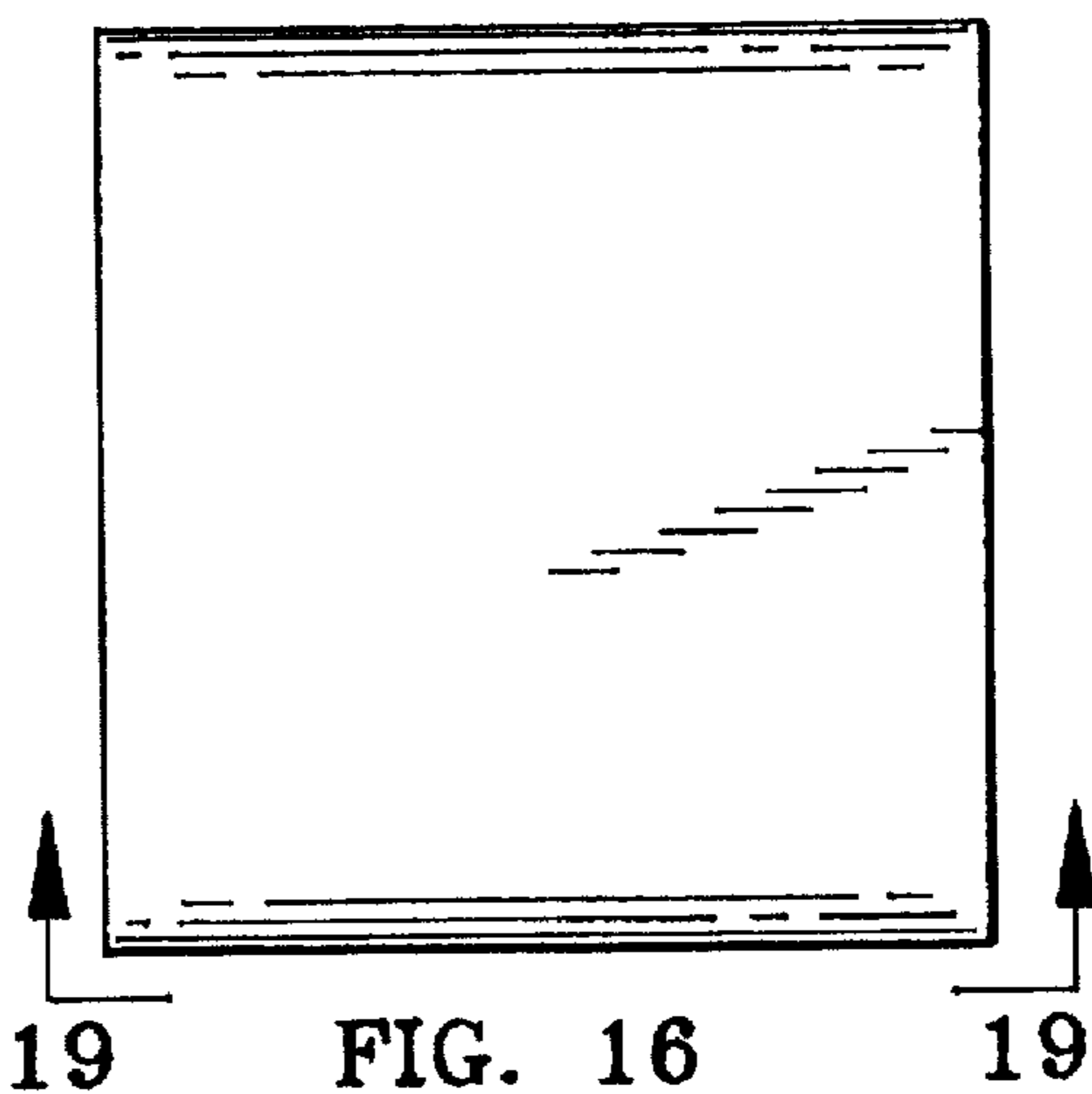


FIG. 16

19

19

FIG. 17

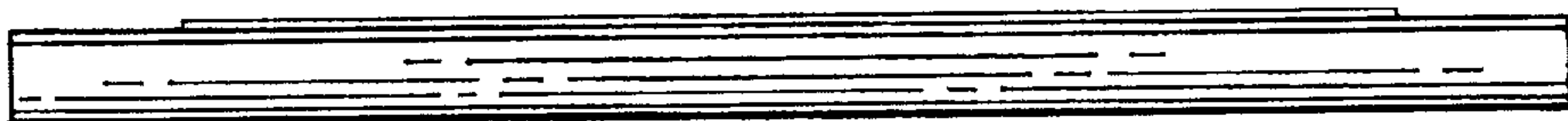


FIG. 18

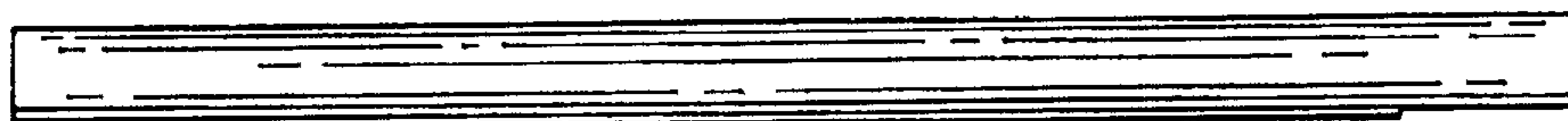


FIG. 19