



US00D389733S

United States Patent [19]
Nakamura

[11] **Patent Number:** **Des. 389,733**
[45] **Date of Patent:** ****Jan. 27, 1998**

[54] **CLAMP**

[75] **Inventor:** **Toshinobu Nakamura, Tokyo, Japan**

[73] **Assignee:** **Shinagawa Shoko Co., Ltd., Tokyo, Japan**

[**] **Term:** **14 Years**

[21] **Appl. No.:** **62,612**

[22] **Filed:** **Nov. 19, 1996**

[30] **Foreign Application Priority Data**

Sep. 18, 1996 [JP] Japan 8-27622

[51] **LOC (6) Cl.** **08-08**

[52] **U.S. Cl.** **D8/396; D8/382**

[58] **Field of Search** **D8/382, 394-396; 248/71, 74.1, 74.2; 24/326, 543**

[56] **References Cited**

U.S. PATENT DOCUMENTS

D. 292,554 11/1987 Yagi D8/395

D. 302,938	8/1989	Fujioka	D8/395
3,913,187	10/1975	Okuda	24/543
4,681,288	7/1987	Nakamura	248/71
4,890,805	1/1990	Morita	248/71
5,108,054	4/1992	Degand	248/74.2

Primary Examiner—B. J. Bullock
Attorney, Agent, or Firm—Banner & Witcoff, Ltd.

[57] **CLAIM**

The ornamental design for a clamp, as shown and described.

DESCRIPTION

FIG. 1 is a perspective front view of a clamp embodying the present design;
FIG. 2 is a perspective opened front view thereof;
FIG. 3 is a front view thereof;
FIG. 4 is a rear view thereof;
FIG. 5 is a top plan view thereof;
FIG. 6 is a bottom view thereof;
FIG. 7 is a left side view thereof;
FIG. 8 is a right side view thereof; and,
FIG. 9 is an opened front view thereof.

1 Claim, 3 Drawing Sheets

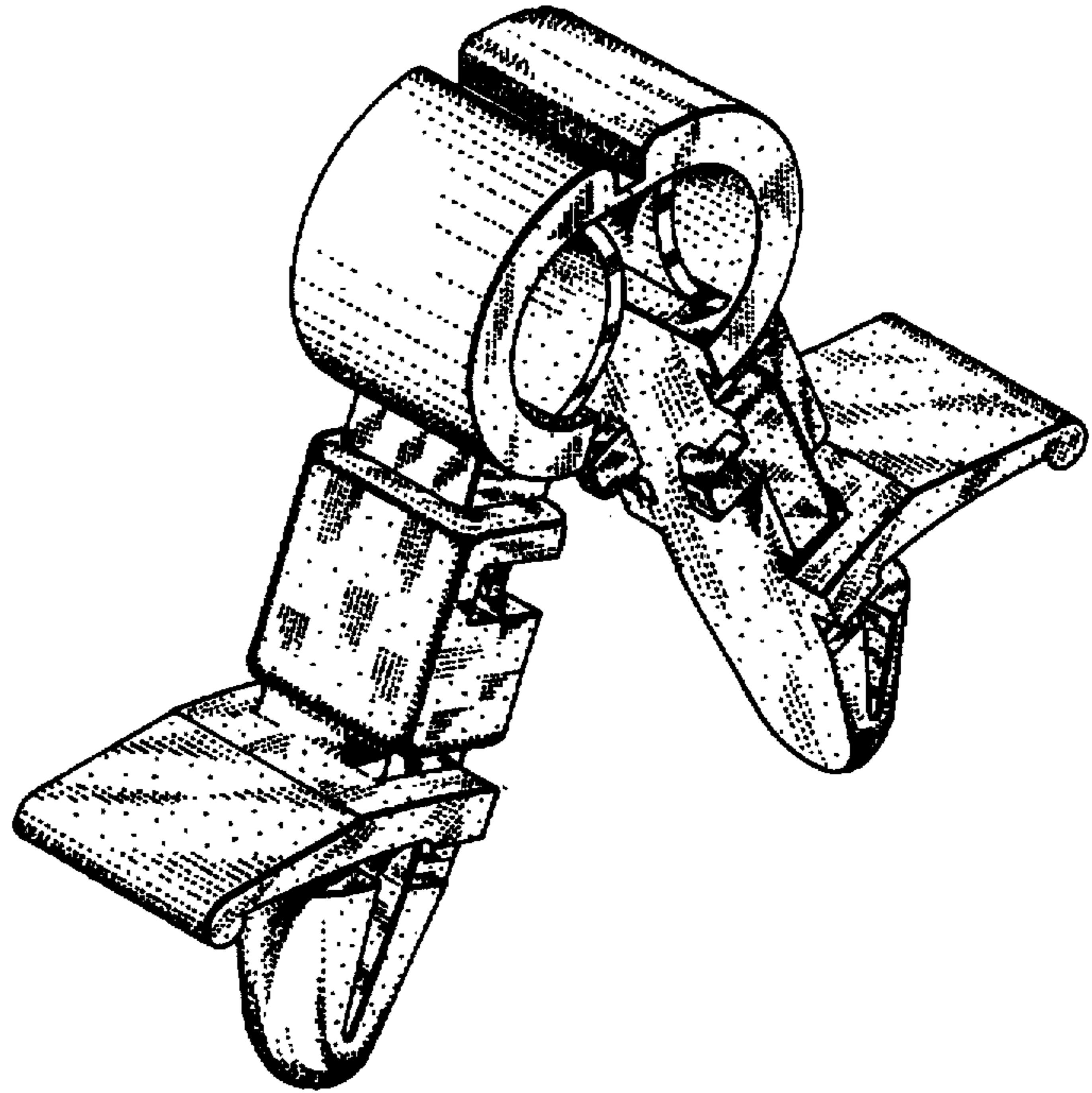
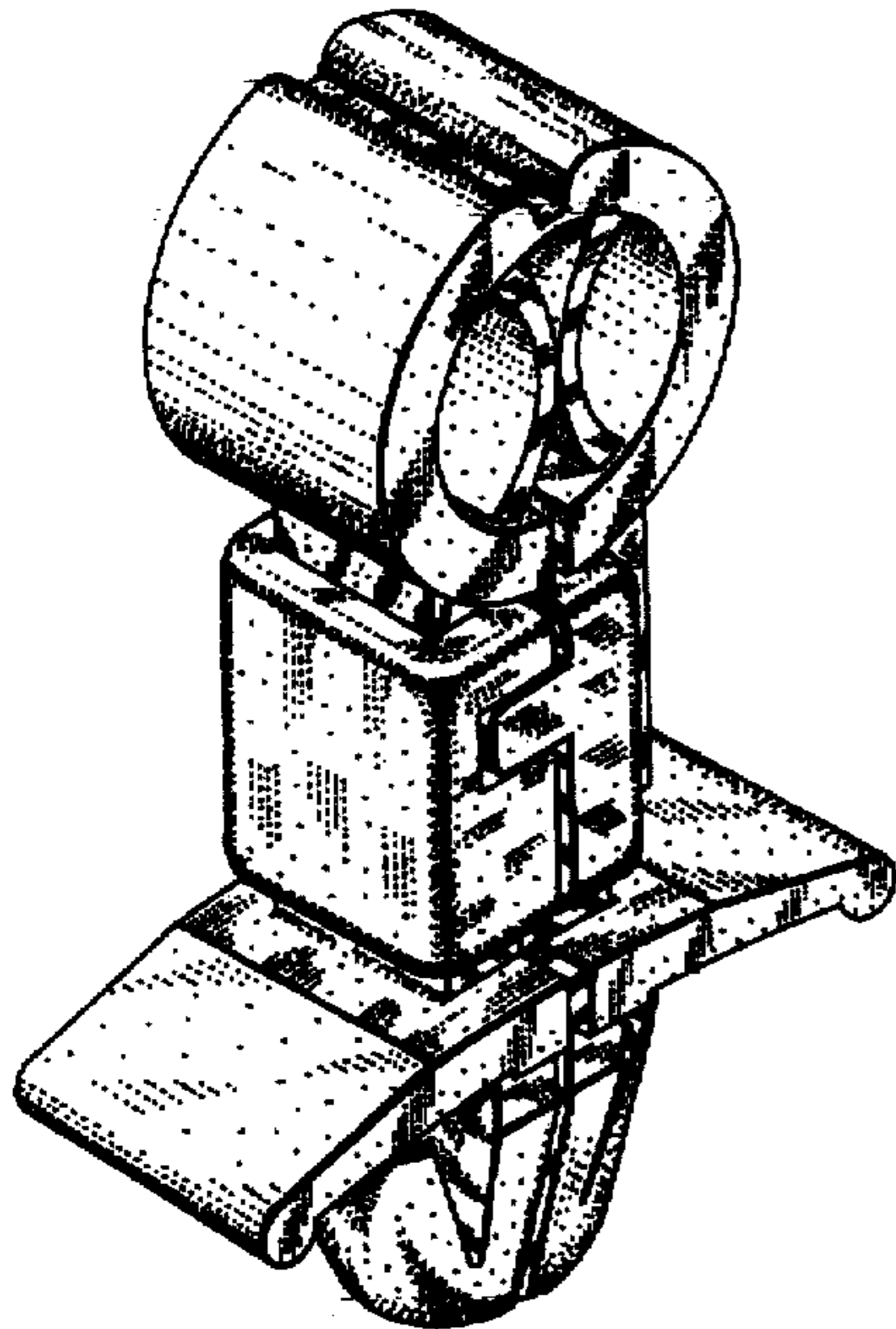


FIG. 1

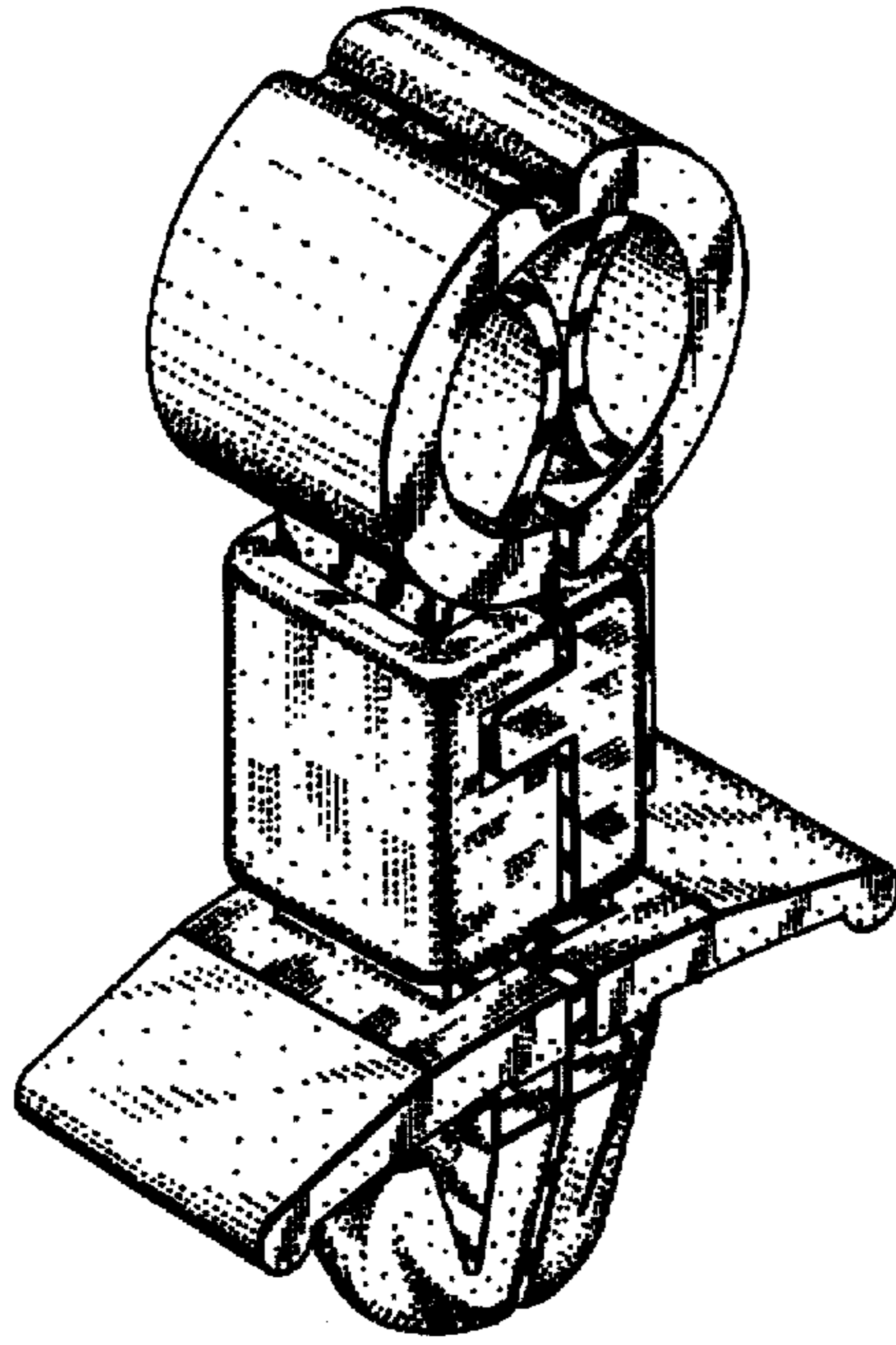


FIG. 2

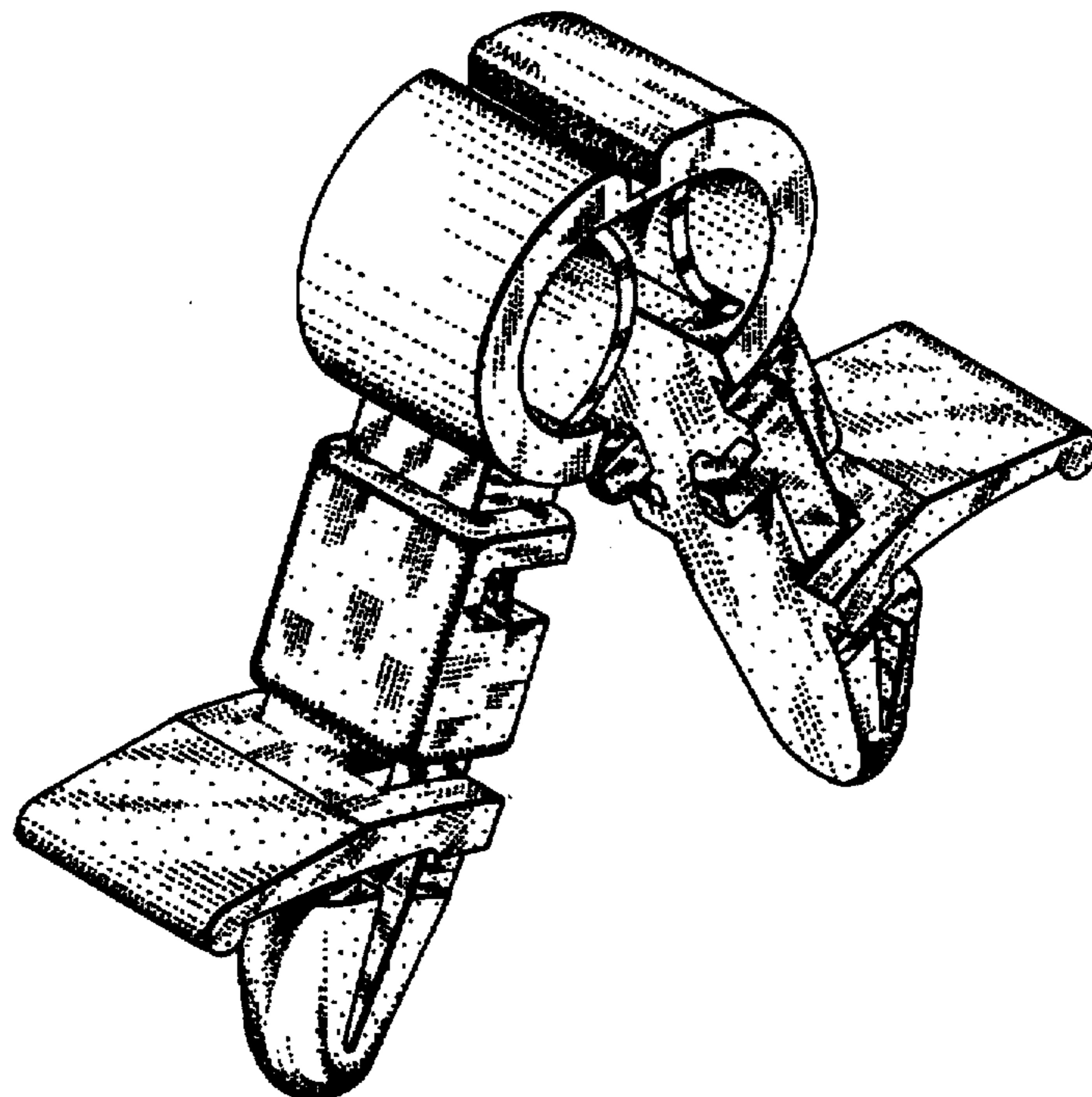


FIG. 3

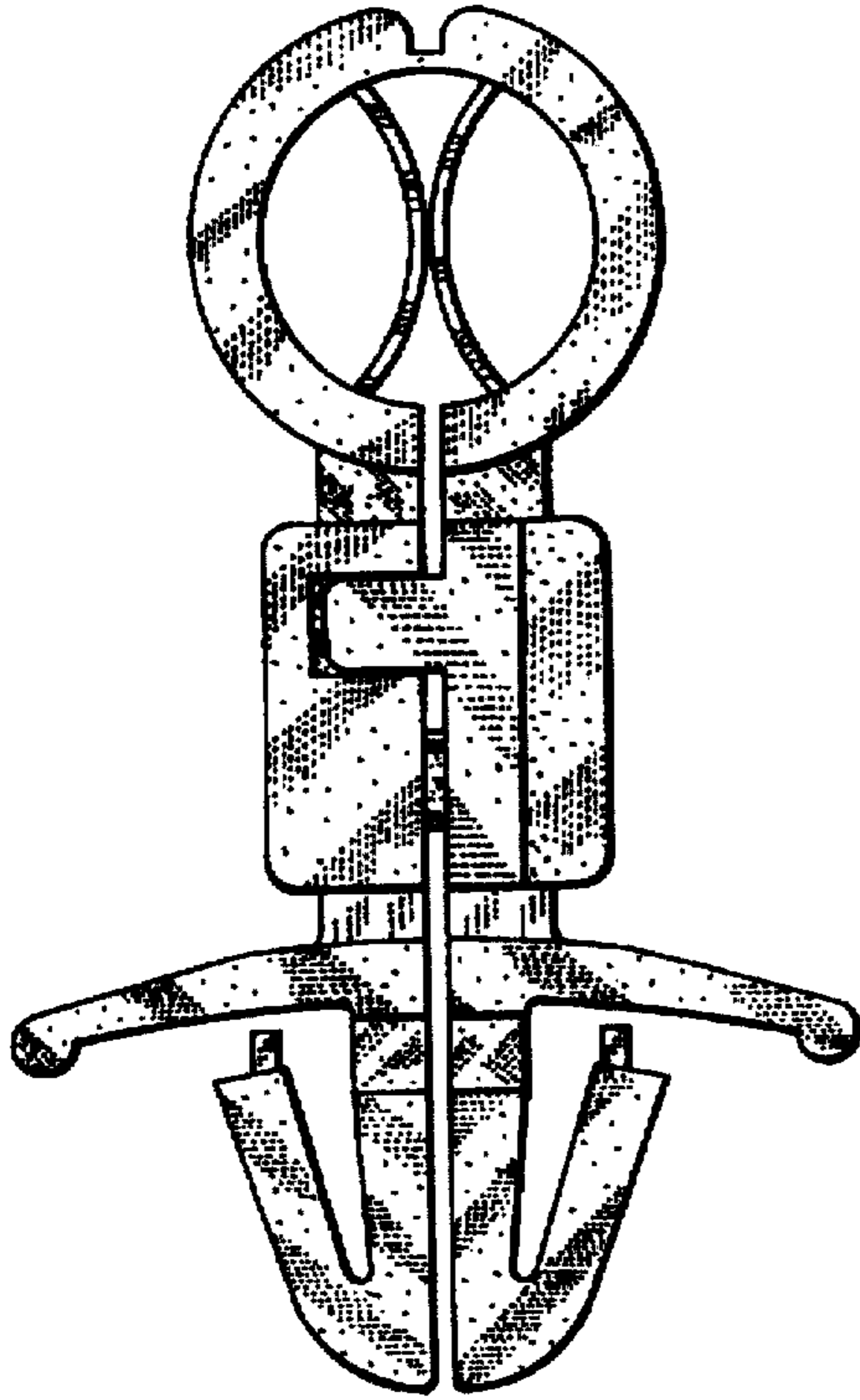


FIG. 4

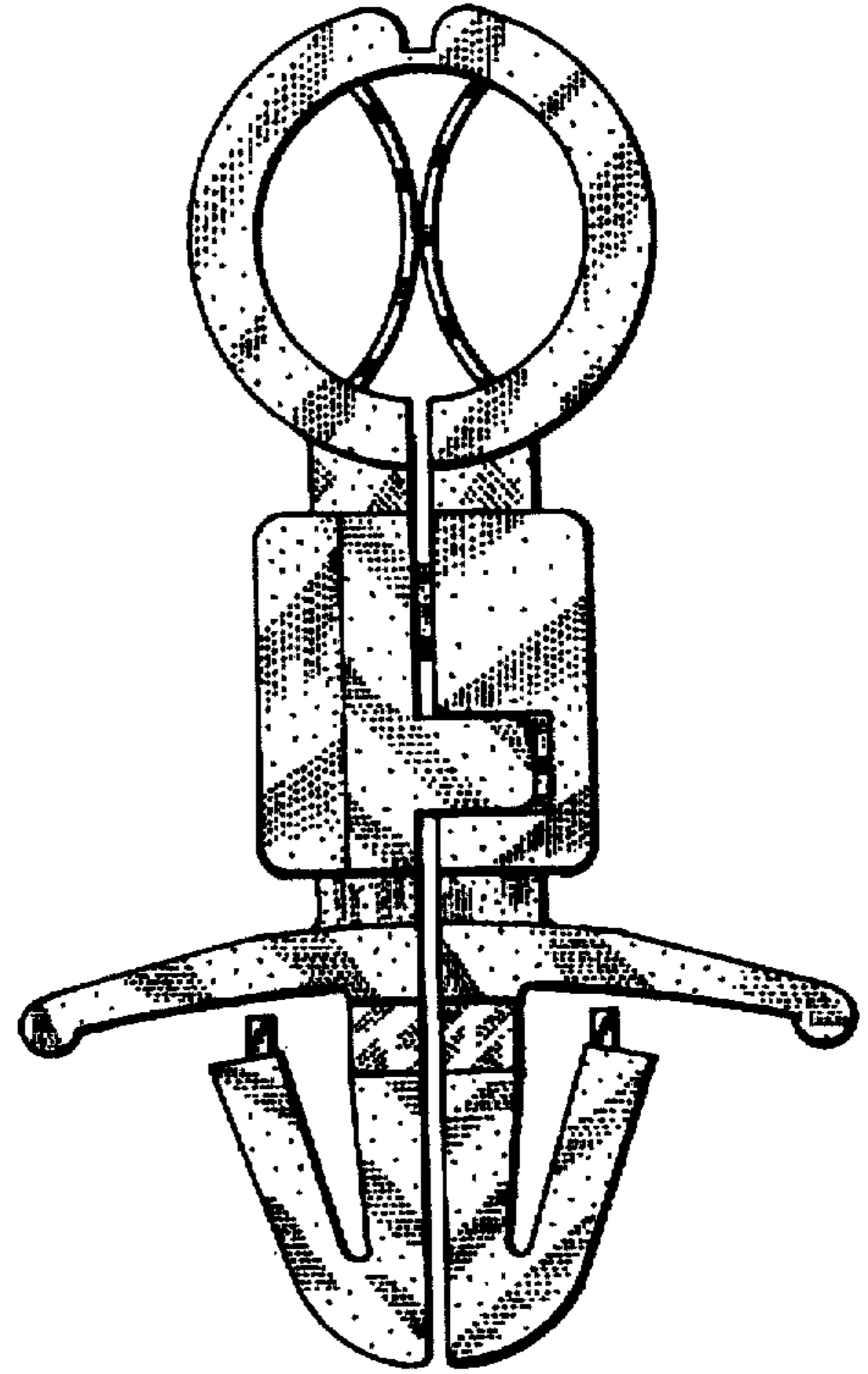


FIG. 5

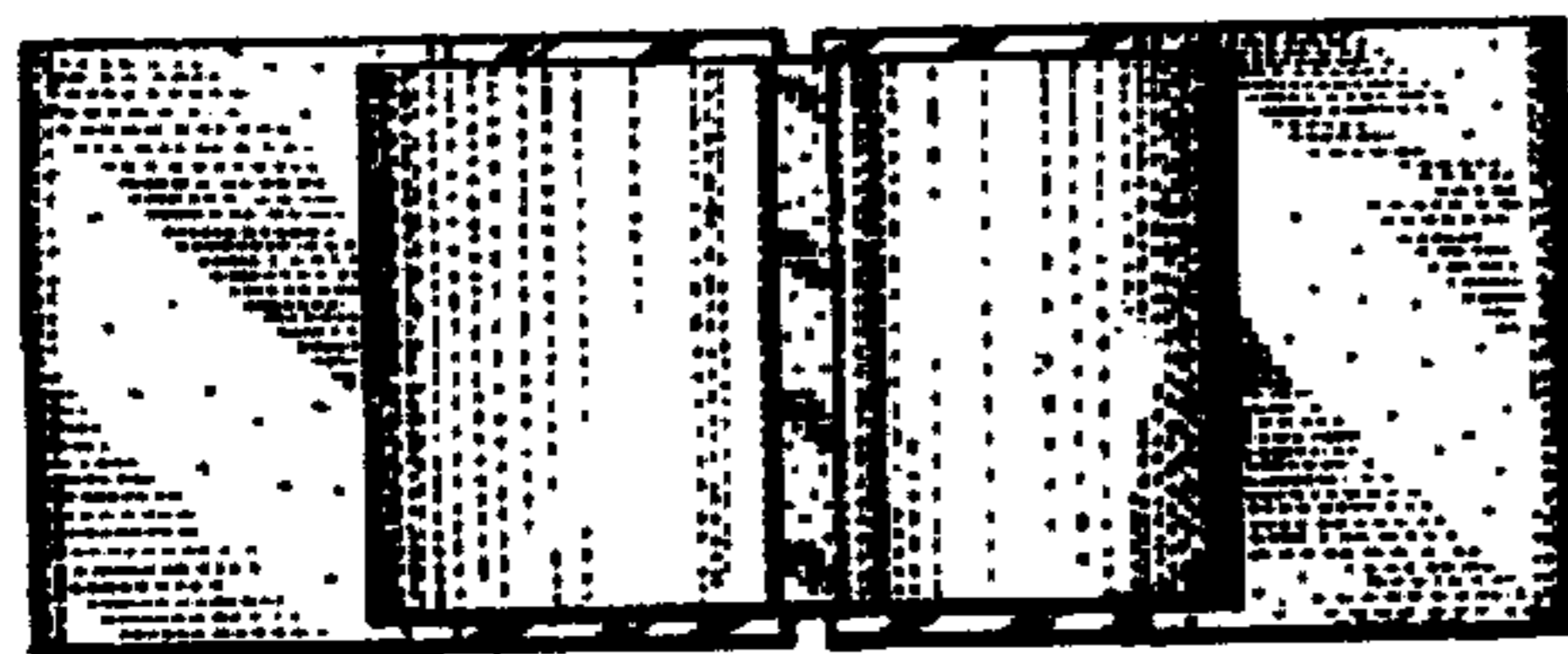


FIG. 6

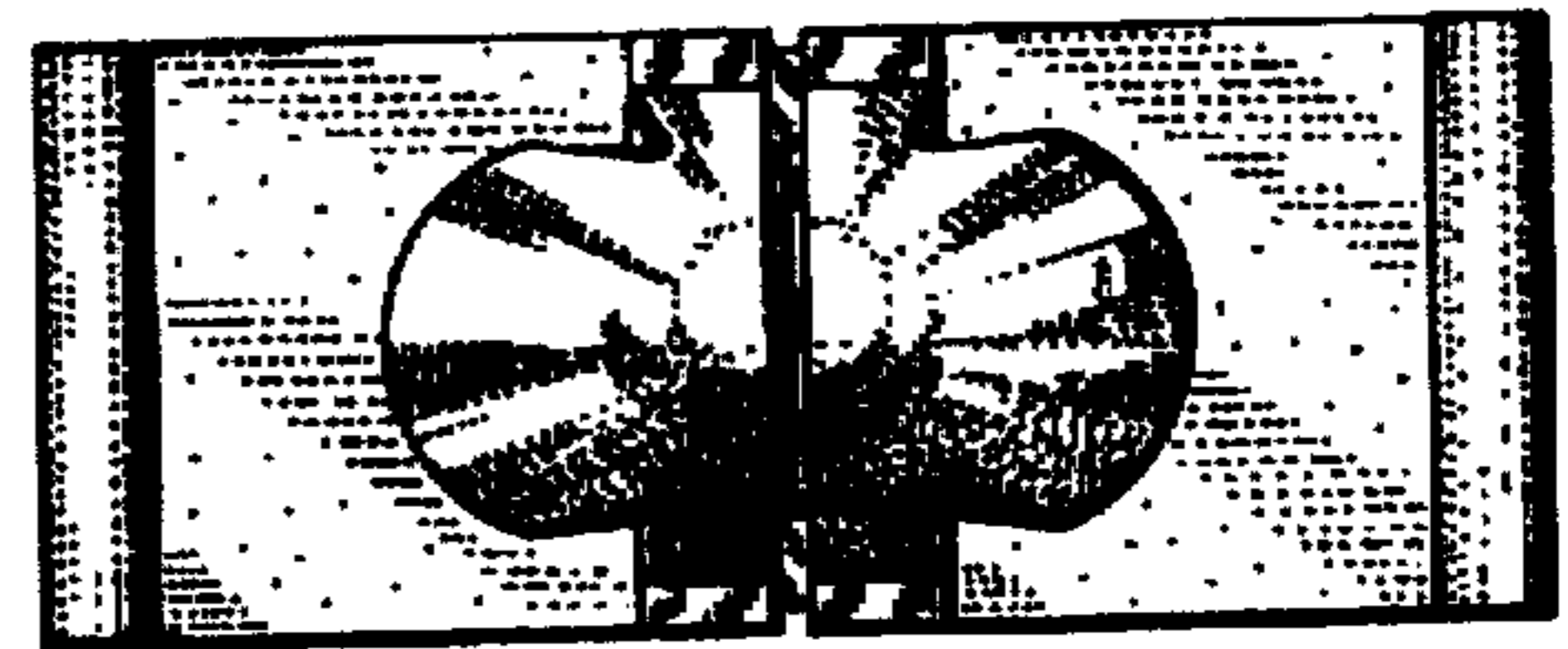


FIG. 7

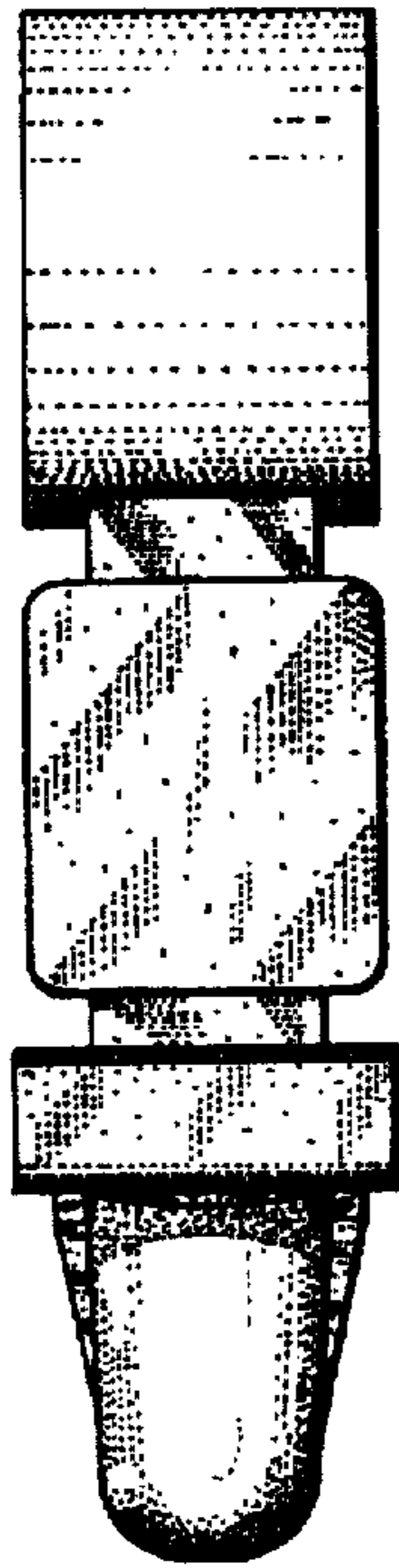


FIG. 8

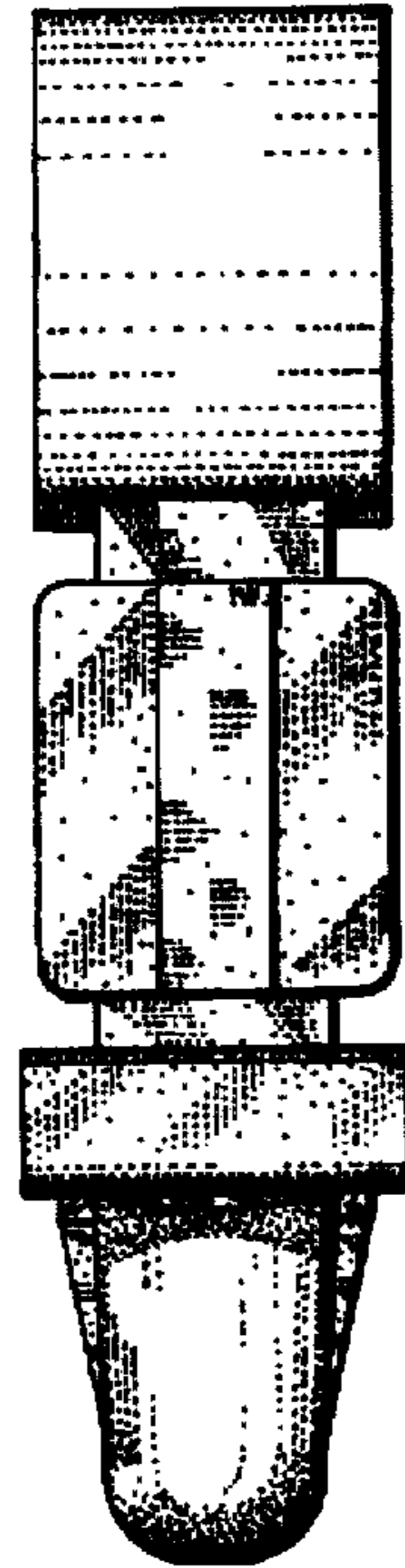


FIG. 9

