



US00D389732S

United States Patent [19]
Weishaar

[11] **Patent Number:** **Des. 389,732**
[45] **Date of Patent:** ****Jan. 27, 1998**

- [54] **FLAT CABLE CLIP**
- [75] **Inventor:** **Thomas P. Weishaar, Homewood, Ill.**
- [73] **Assignee:** **Panduit Corp., Tinley Park, Ill.**
- [**] **Term:** **14 Years**
- [21] **Appl. No.:** **60,679**
- [22] **Filed:** **Oct. 3, 1996**
- [51] **LOC (6) Cl.** **08-08**
- [52] **U.S. Cl.** **D8/396; D8/356**
- [58] **Field of Search** **D8/356, 394-395,**
D8/396; 248/68.1, 74.1-74.4; 24/543

- 4,457,482 7/1984 Kitagawa .
- 4,623,102 11/1986 Hough, Jr. .
- 4,669,688 6/1987 Itoh et al. .
- 5,188,319 2/1993 Hawash et al. 248/68.1
- 5,263,671 11/1993 Baum .
- 5,613,655 3/1997 Marion 248/68.1

Primary Examiner—Holly Baynham
Attorney, Agent, or Firm—Mark D. Hilliard; Robert A. McCann

[57] **CLAIM**

The ornamental design for a flat cable clip, as shown and described.

DESCRIPTION

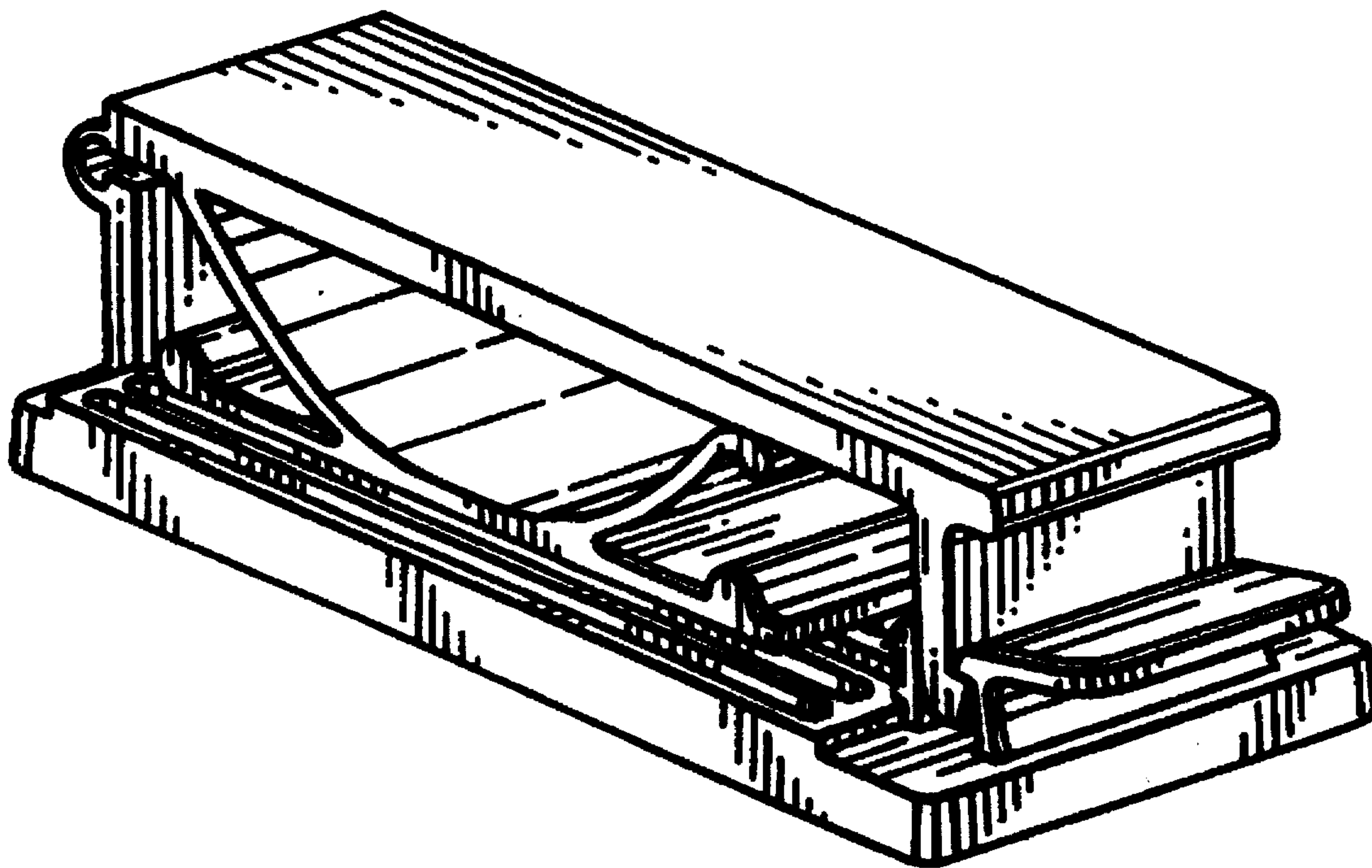
FIG. 1 is a front perspective view of a flat cable clip showing my new design;
FIG. 2 is a side elevational view thereof, the opposite side is a mirror image;
FIG. 3 is a front end elevational view thereof;
FIG. 4 is a rear end elevational view thereof;
FIG. 5 is a top plan view thereof; and,
FIG. 6 is a bottom view thereof.

1 Claim, 2 Drawing Sheets

[56] **References Cited**

U.S. PATENT DOCUMENTS

- D. 308,017 5/1990 Fujioka D8/394 X
- D. 310,020 8/1990 Fujioka D8/394 X
- D. 329,374 9/1992 Kaga D8/394
- 3,971,105 7/1976 Caveney .
- 4,221,352 9/1980 Caveney .
- 4,325,526 4/1982 Kitagawa .
- 4,356,599 11/1982 Larson et al. .



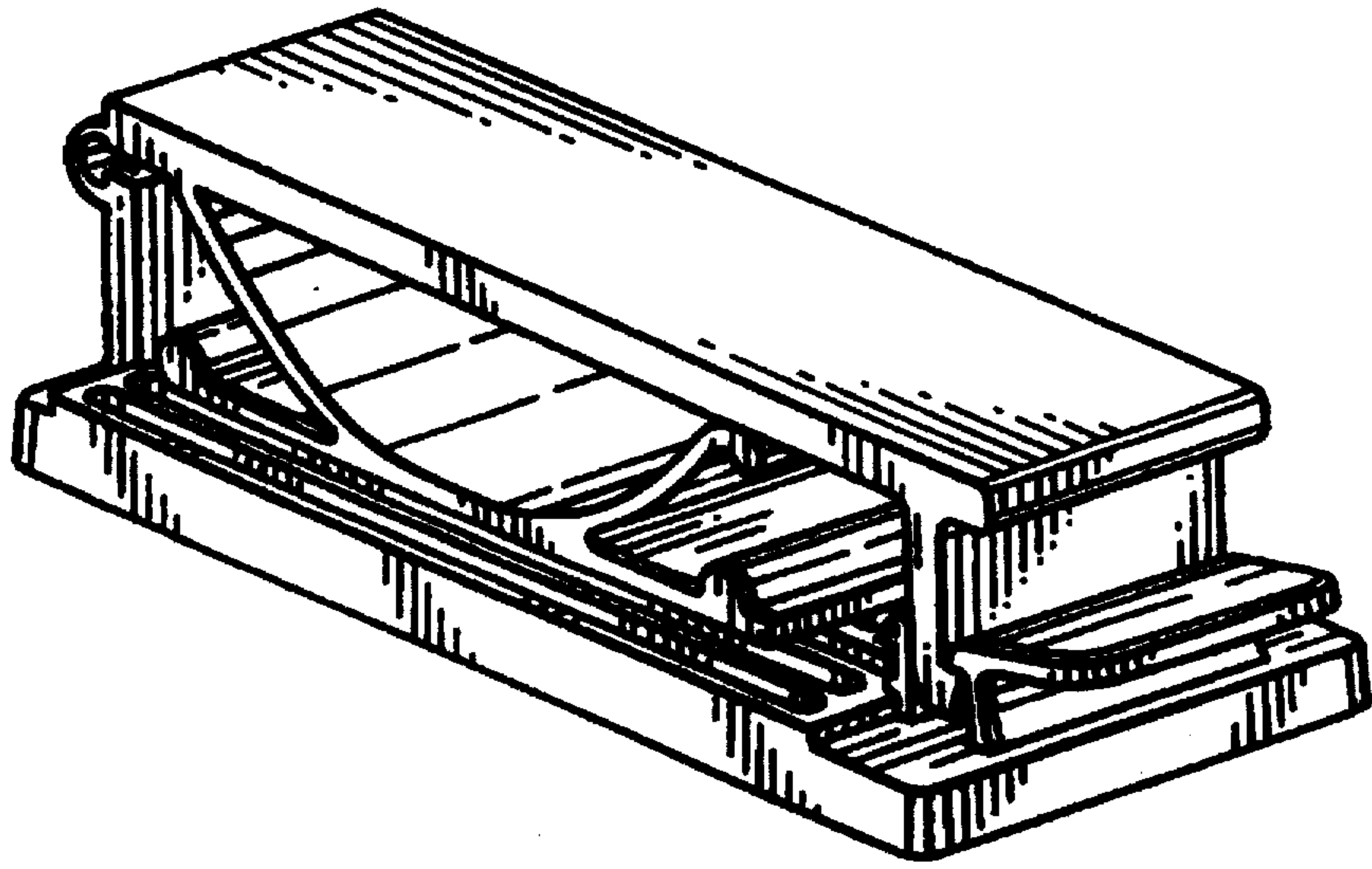


FIG. 1

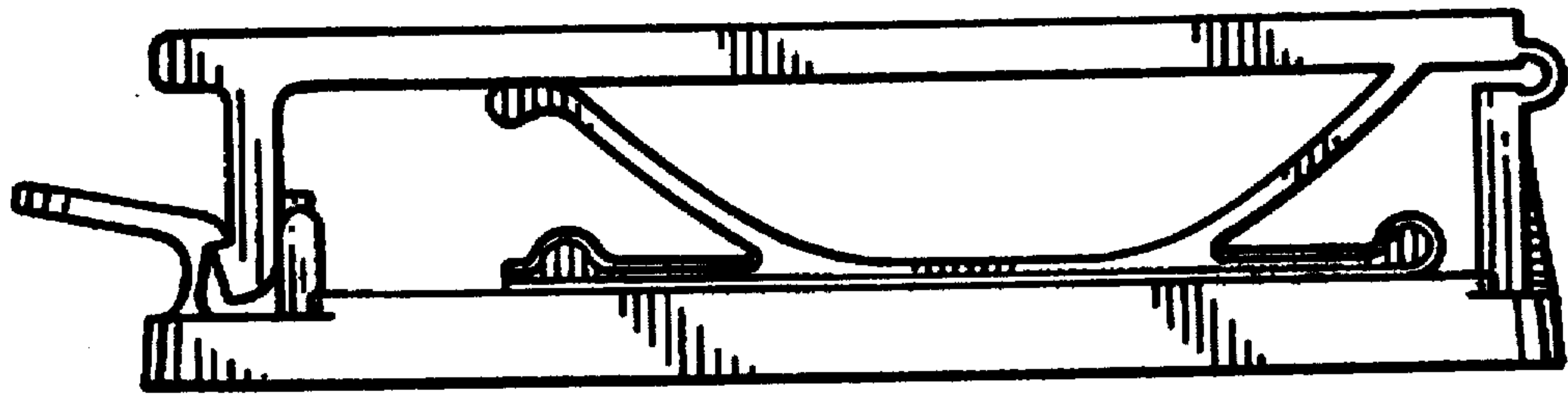


FIG. 2

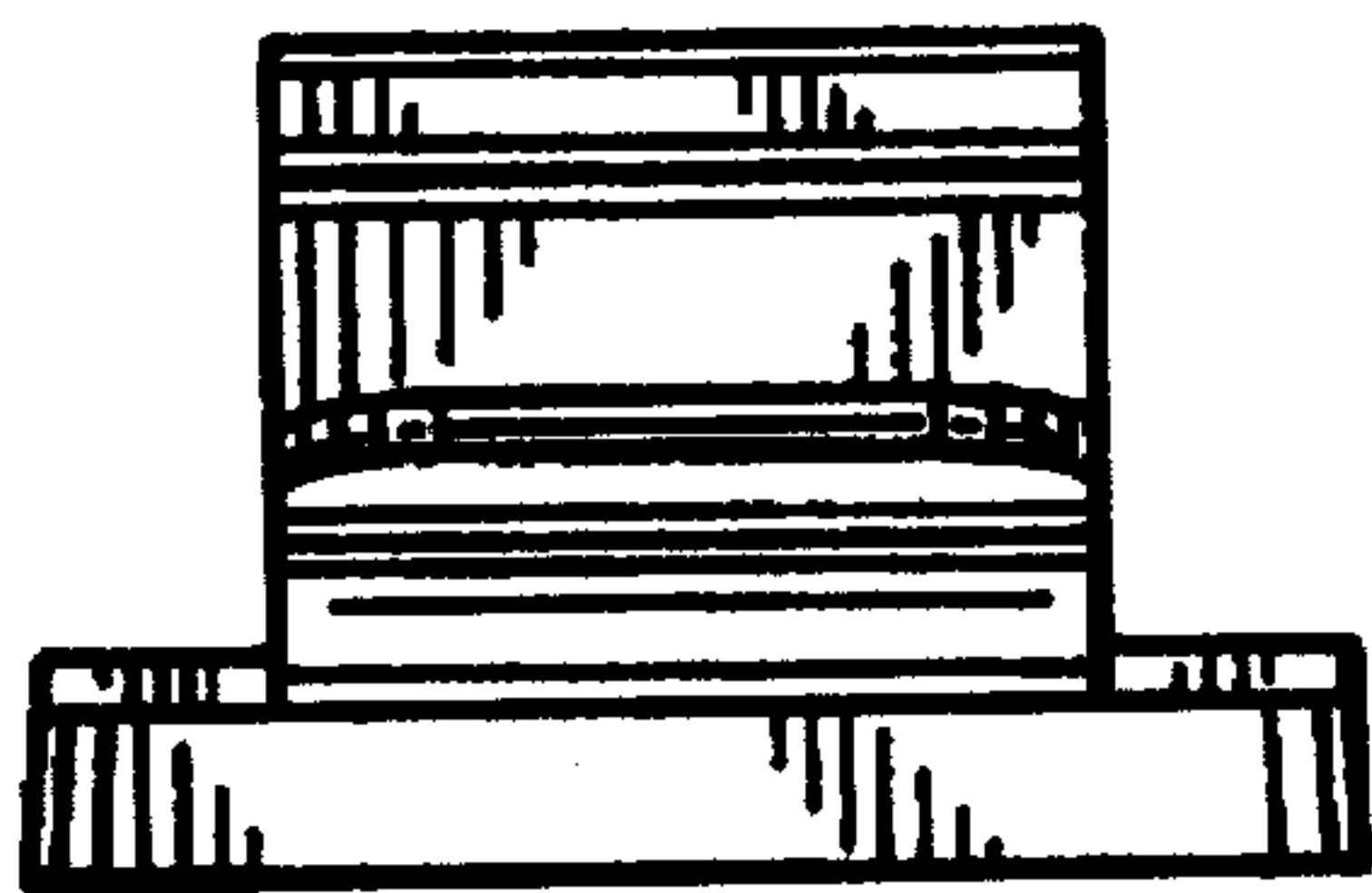


FIG. 3

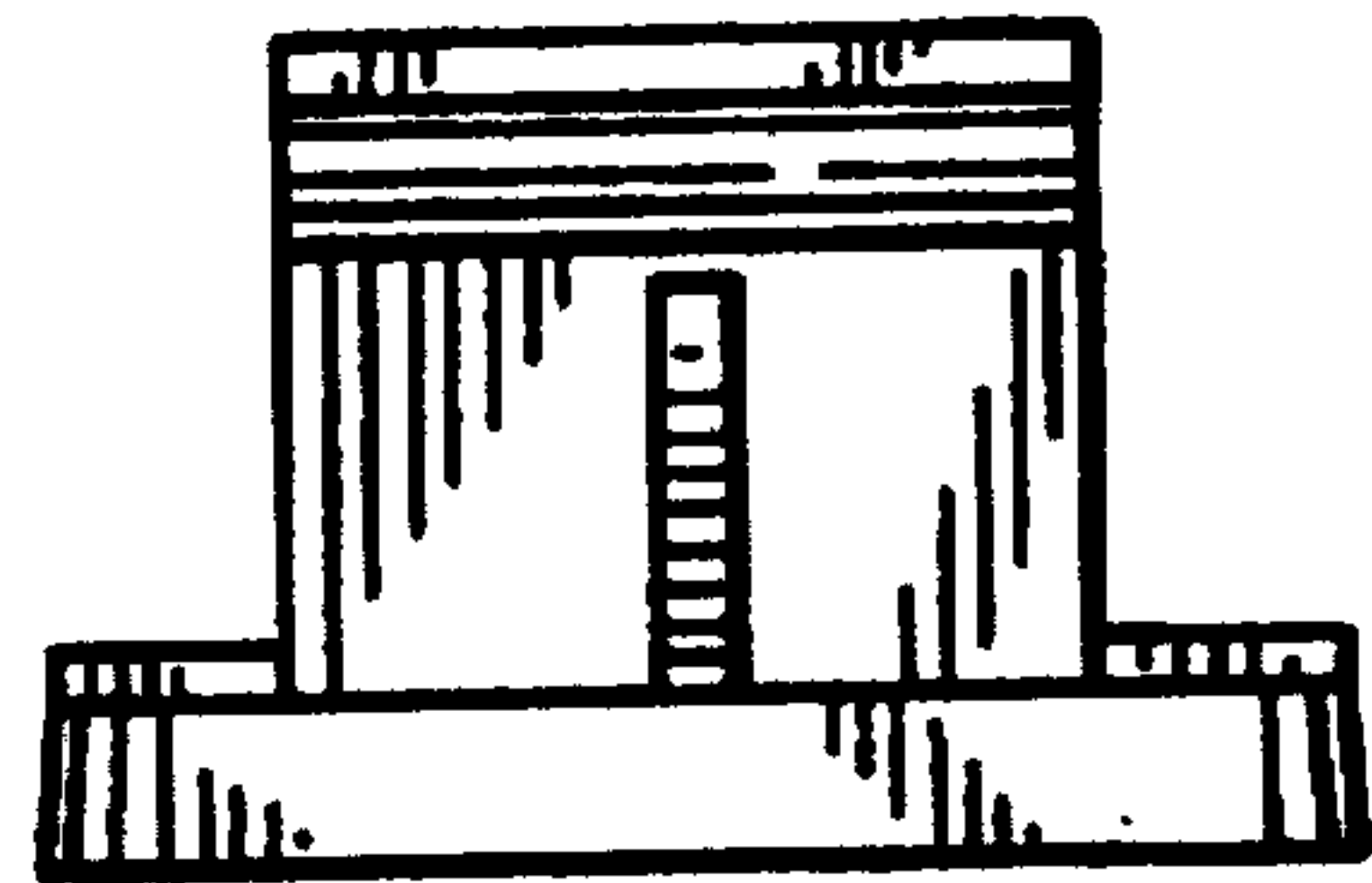


FIG. 4

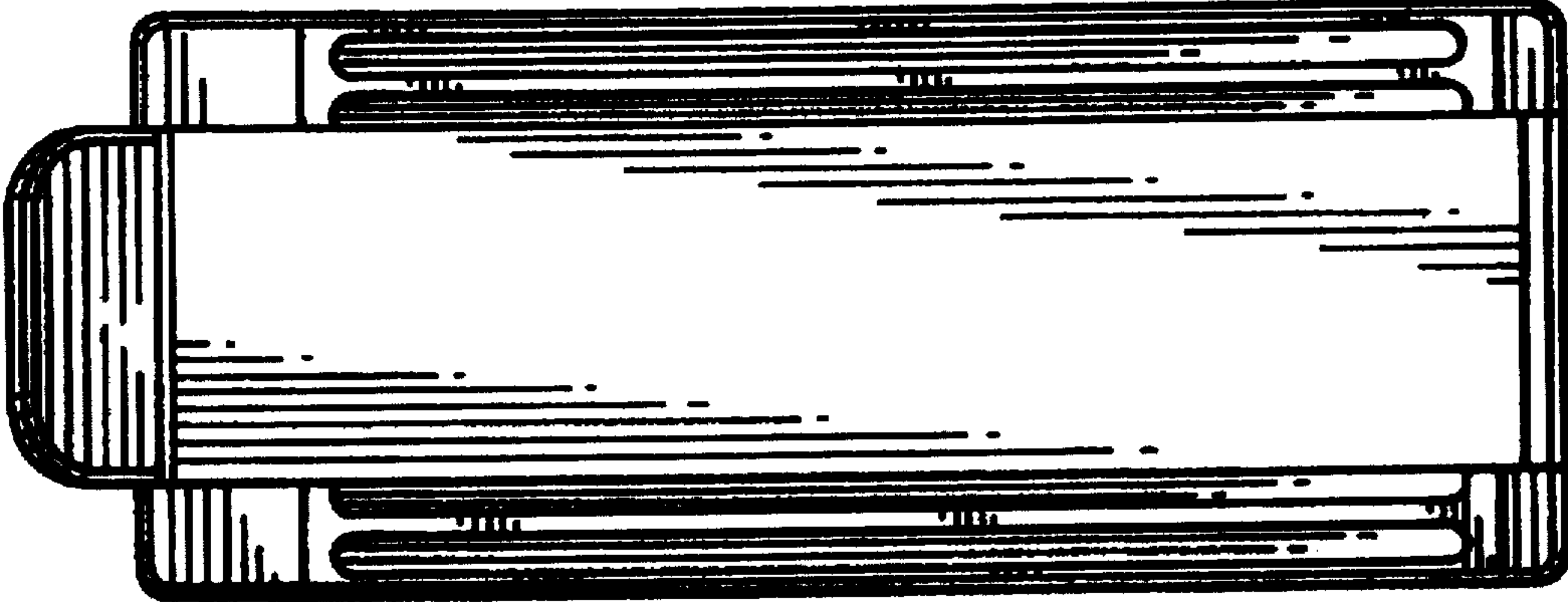


FIG. 5

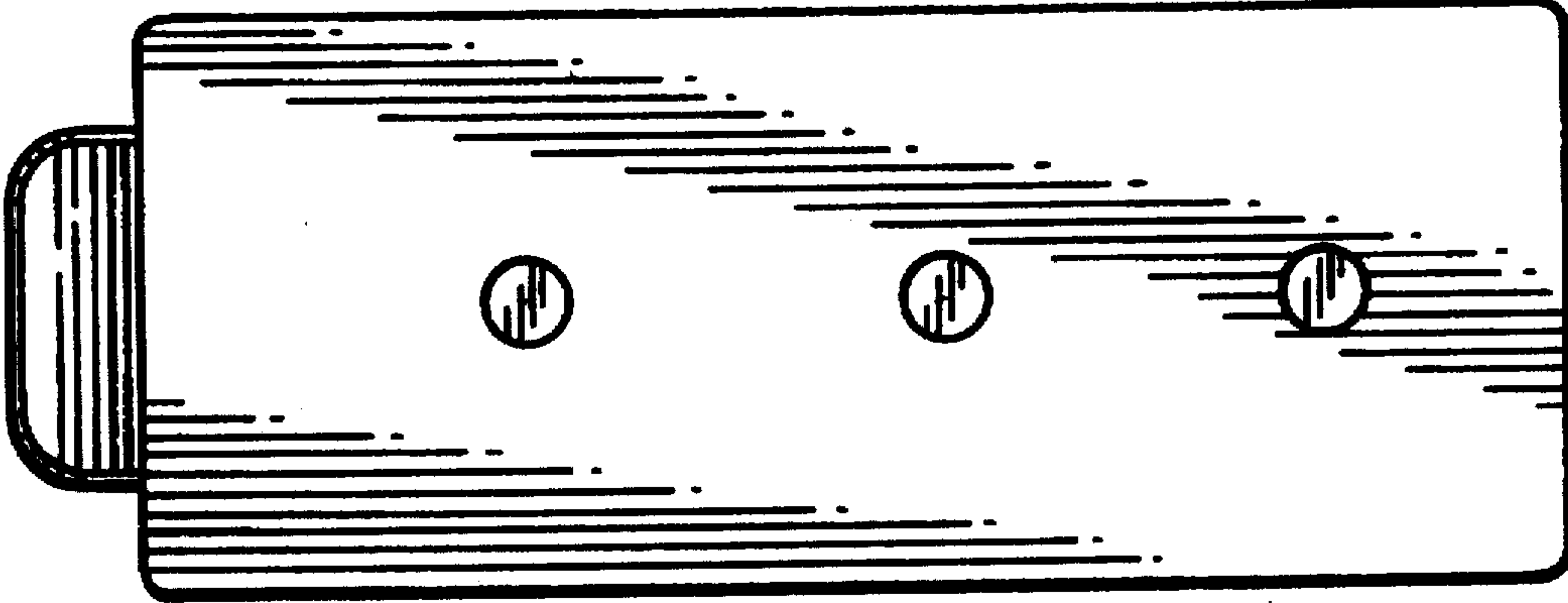


FIG. 6