



US00D389729S

United States Patent [19]
Boeshart

[11] **Patent Number:** **Des. 389,729**
[45] **Date of Patent:** ****Jan. 27, 1998**

[54] **SCAFFOLD BRACKET**
[76] **Inventor:** **Patrick E. Boeshart, P.O. Box 774,**
Sioux City, Iowa 51102
[**] **Term:** **14 Years**
[21] **Appl. No.:** **67,791**
[22] **Filed:** **Mar. 11, 1997**
[51] **LOC (6) Cl.** **08-05**
[52] **U.S. Cl.** **D8/380; D8/381**
[58] **Field of Search** **D8/380-381; 248/201,**
248/235, 237, 243, 245, 247, 249; 211/123;
D25/62, 68

Primary Examiner—Holly Baynham
Attorney, Agent, or Firm—Zarley, McKee, Thomte,
Voorhees & Sease; Mark D. Frederiksen

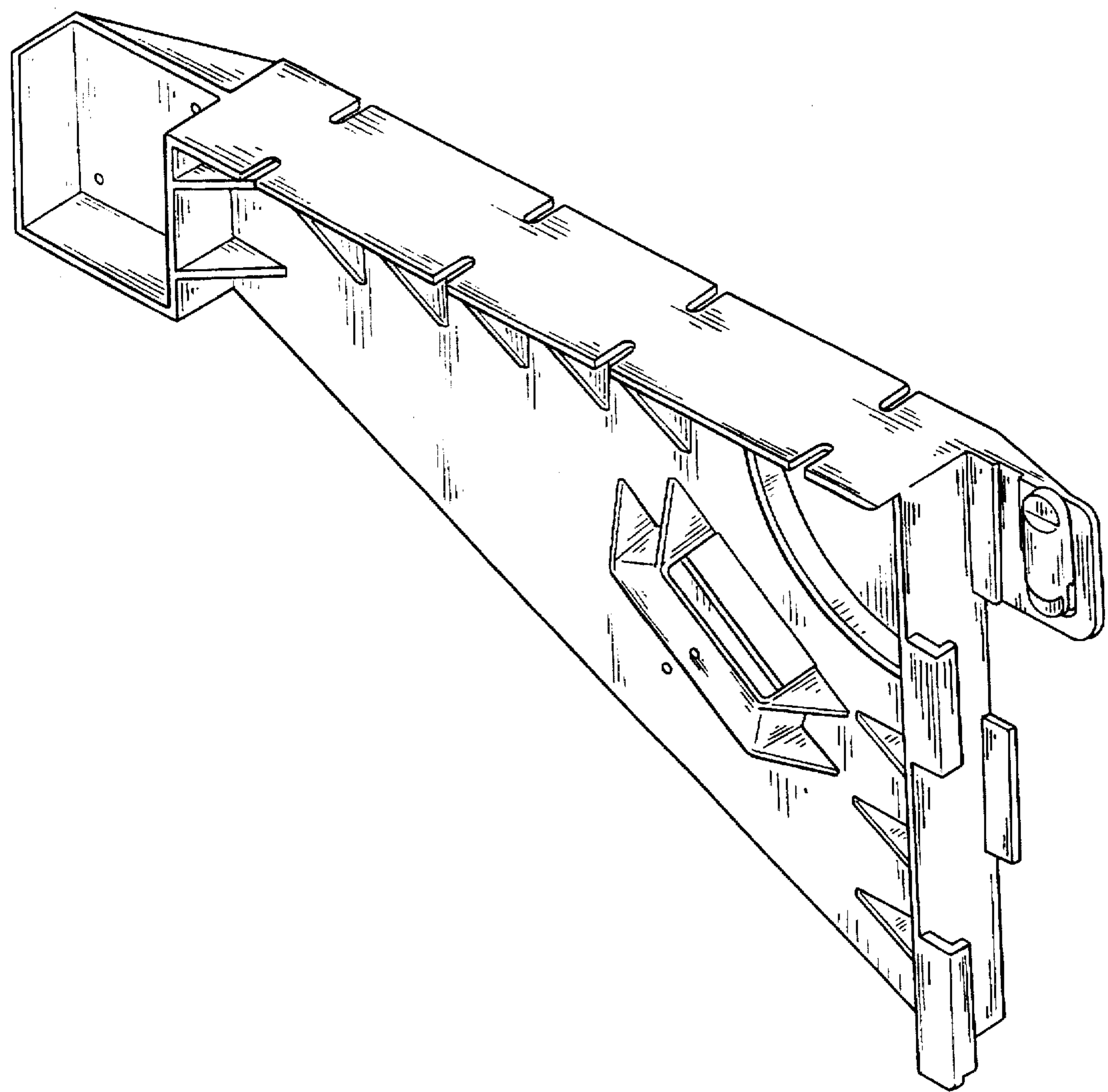
[57] **CLAIM**
The ornamental design for a scaffold bracket, as shown.

DESCRIPTION

FIG. 1 is a perspective view of the scaffold bracket showing my new design;
FIG. 2 is a reduced scale top plan view thereof;
FIG. 3 is an elevational view taken from the left side of FIG. 4; and
FIG. 4 is a front elevational view thereof;
FIG. 5 is an elevational view taken from the right side of FIG. 4;
FIG. 6 is a rear elevational view thereof; and,
FIG. 7 is a bottom plan view thereof.

[56] **References Cited**
U.S. PATENT DOCUMENTS
4,898,354 2/1990 Whittington et al. 248/201 X
5,351,842 10/1994 Remmers 211/123 X

1 Claim, 2 Drawing Sheets



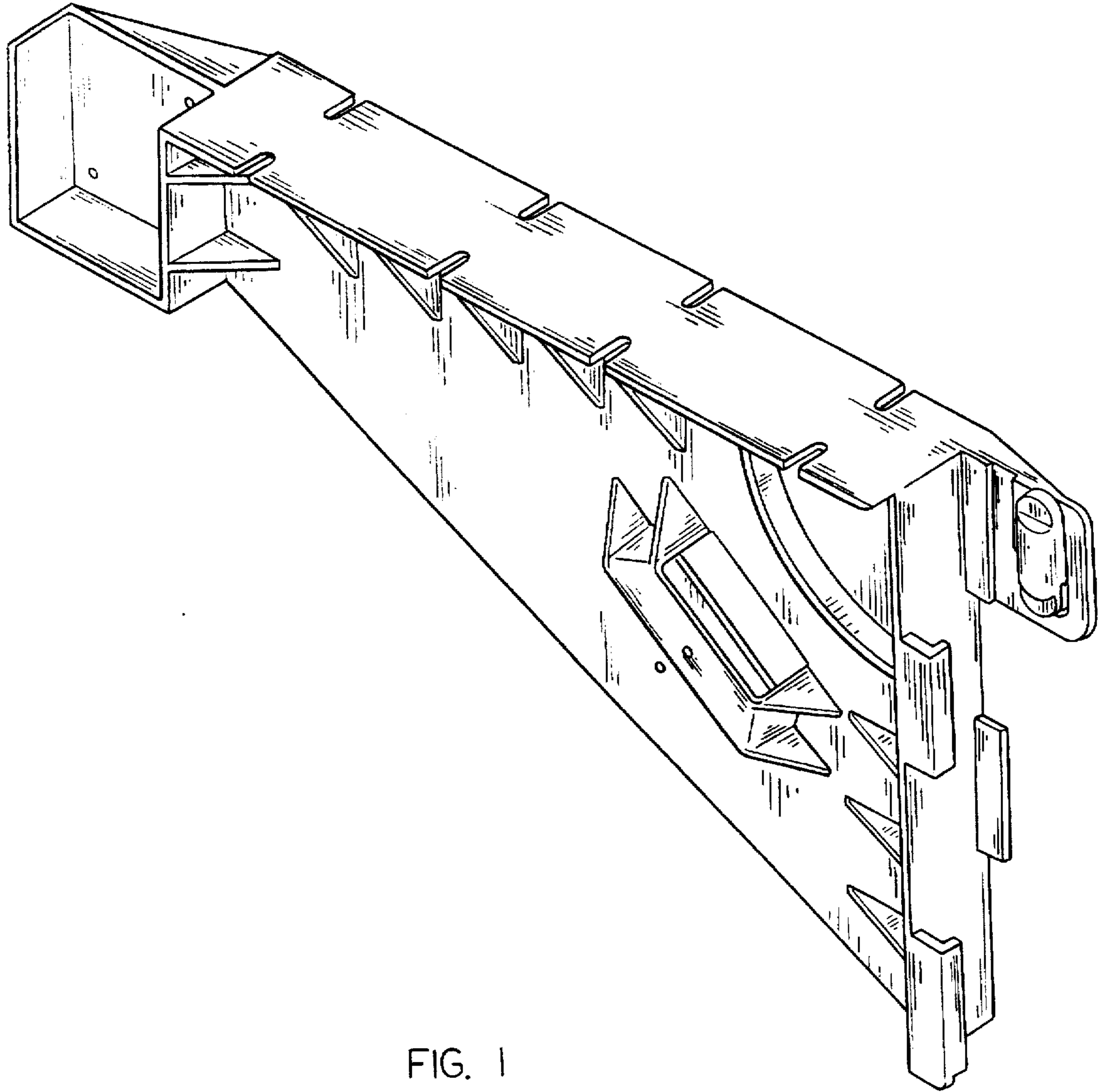


FIG. 1

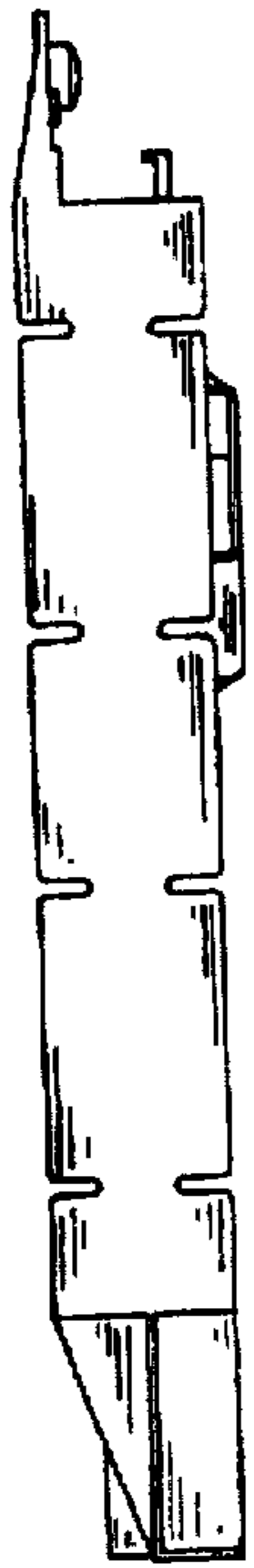


FIG. 2

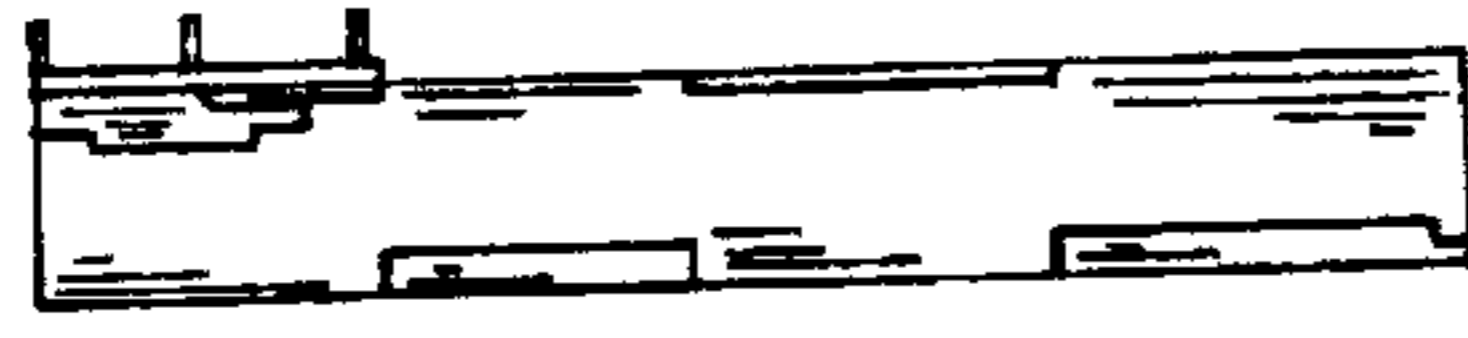


FIG. 5

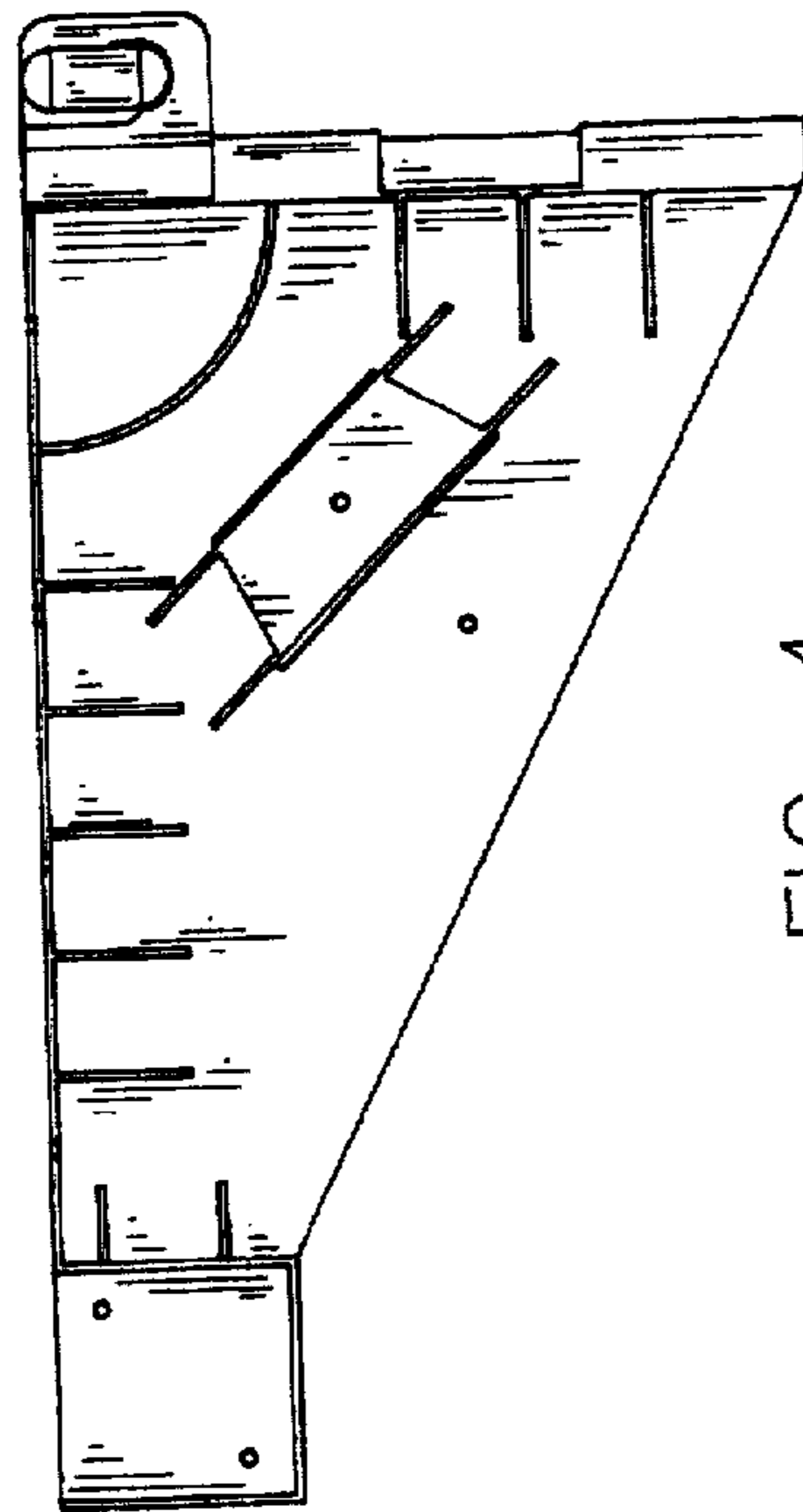


FIG. 4

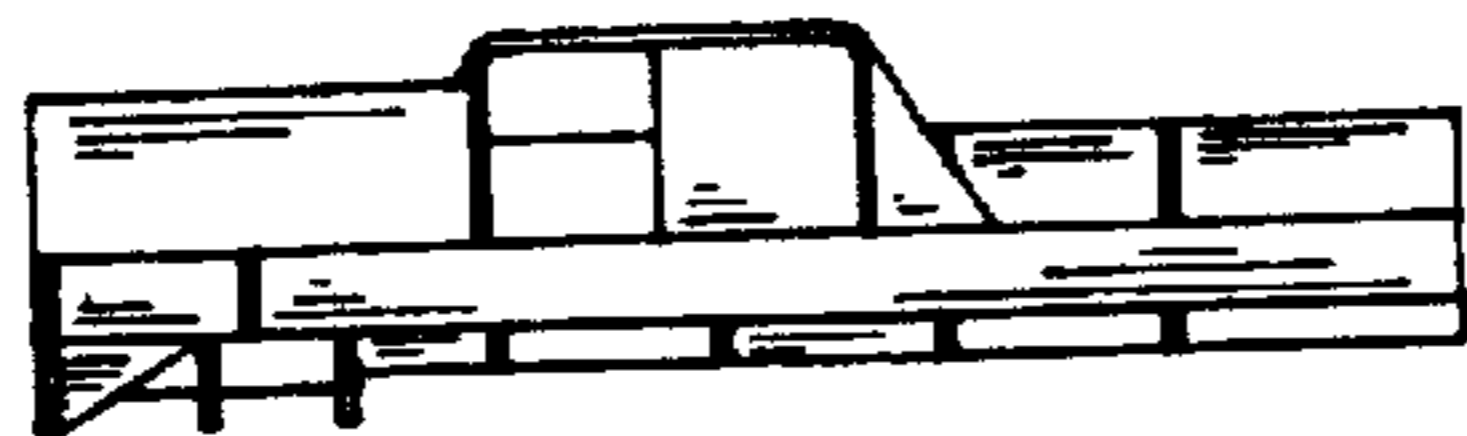


FIG. 3

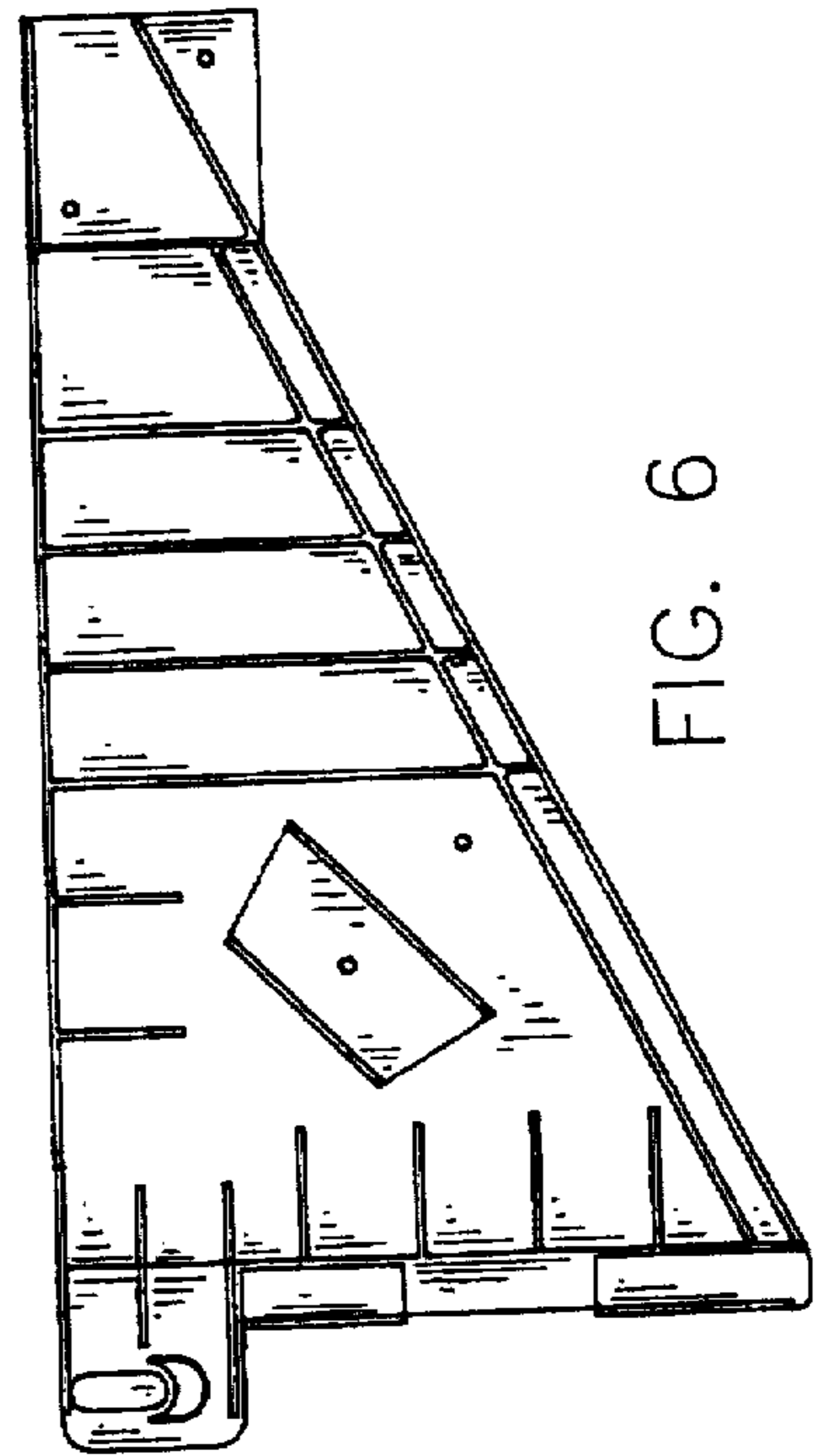


FIG. 6

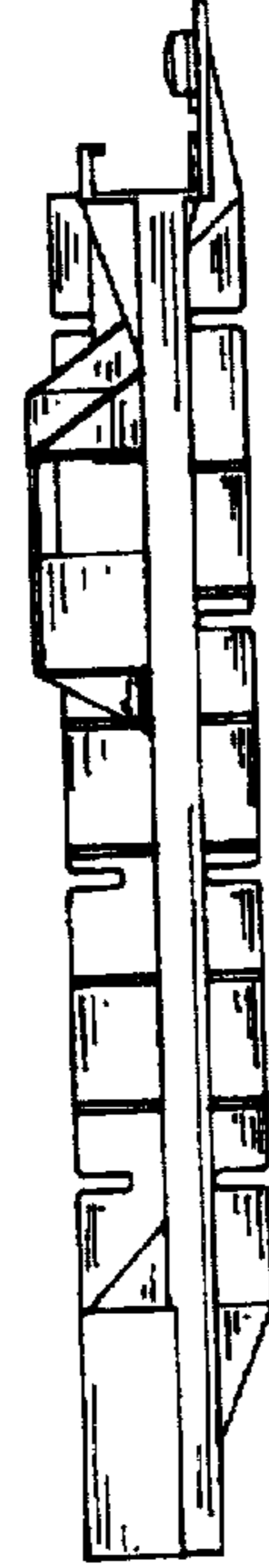


FIG. 7