



United States Patent [19]
Austin et al.

[11] **Patent Number: Des. 389,727**
[45] **Date of Patent: **Jan. 27, 1998**

[54] **LINE CADDY**

[76] **Inventors: George E. Austin**, 5332 Hyada Blvd., NE., Tacoma, Wash. 98422; **James R. Dougal**, 840 NW. 180th St., Seattle, Wash. 98177

[**] **Term: 14 Years**

[21] **Appl. No.: 59,386**

[22] **Filed: Sep. 9, 1996**

[51] **LOC (6) Cl. 08-05**

[52] **U.S. Cl. D8/358**

[58] **Field of Search D8/358, 359; D13/140; 242/395, 405.3, 403.1; 191/12.4**

[56] **References Cited**

U.S. PATENT DOCUMENTS

D. 260,073	8/1981	Wells	D8/358
662,774	11/1900	Davis	.	
2,915,259	12/1959	Force	.	
2,979,576	4/1961	Huber	191/12.4
4,114,736	9/1978	Scherenberg	191/12.4
4,846,090	7/1989	Palmquist	.	
4,946,010	8/1990	DiBono	D13/140 X
4,969,610	11/1990	Taylor et al.	.	

OTHER PUBLICATIONS

Thorsens Catalog, p. 12, retracting clothesline reel circled at top right corner of page, Feb. 1959.

Primary Examiner—Holly Baynham
Attorney, Agent, or Firm—Christensen, O'Connor, Johnson & Kindness PLLC

[57] **CLAIM**

The ornamental design for a line caddy, as shown and described.

DESCRIPTION

FIG. 1 is a perspective view of a line caddy showing the new design with the broken line showing of a fragmented cord being for illustrative purposes only and forming no part of the claimed design;

FIG. 2 is a front view of the line caddy;

FIG. 3 is a right side view of the line caddy;

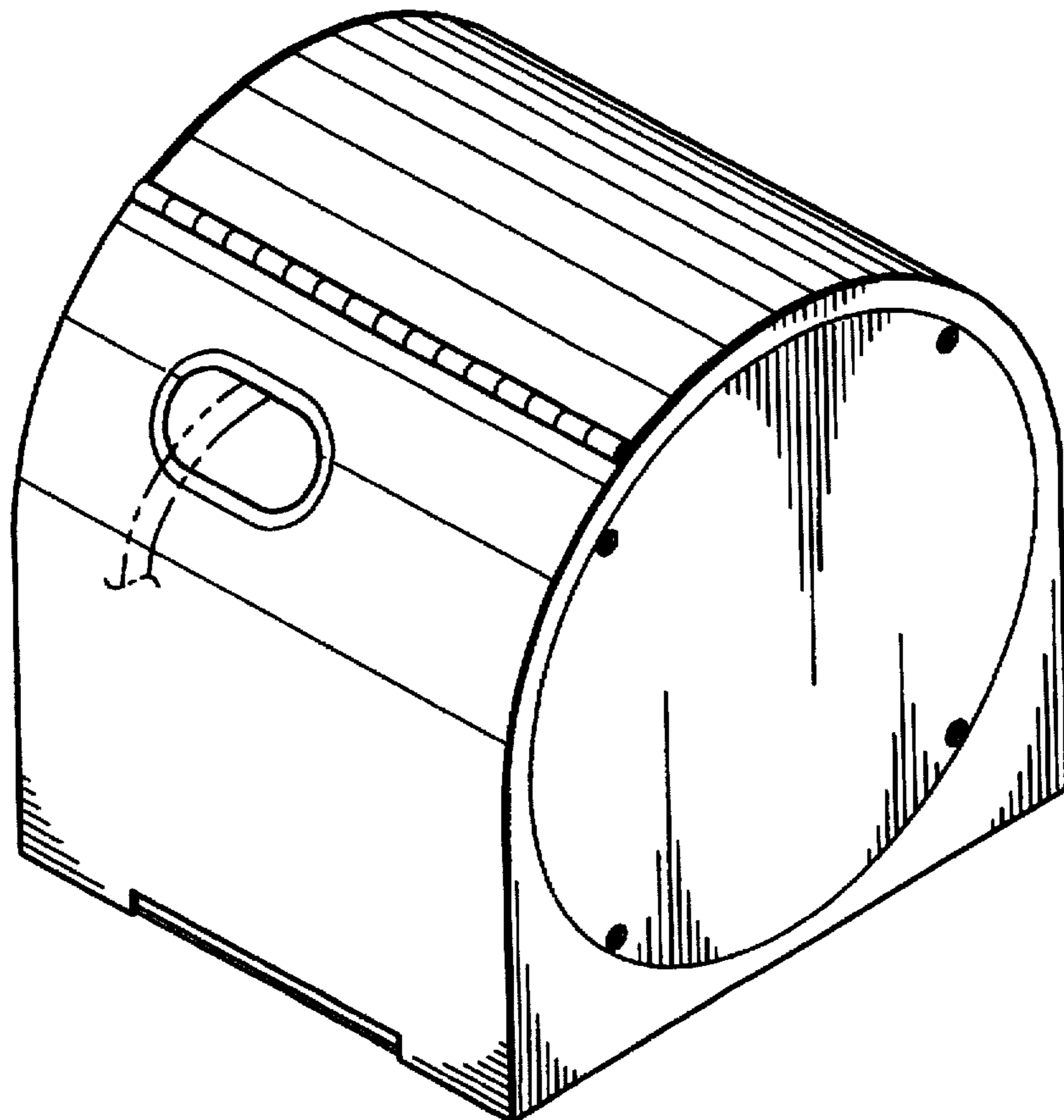
FIG. 4 is a top view of the line caddy;

FIG. 5 is a back view of the line caddy;

FIG. 6 is a left side view of the line caddy; and,

FIG. 7 is a bottom view of the line caddy.

1 Claim, 2 Drawing Sheets



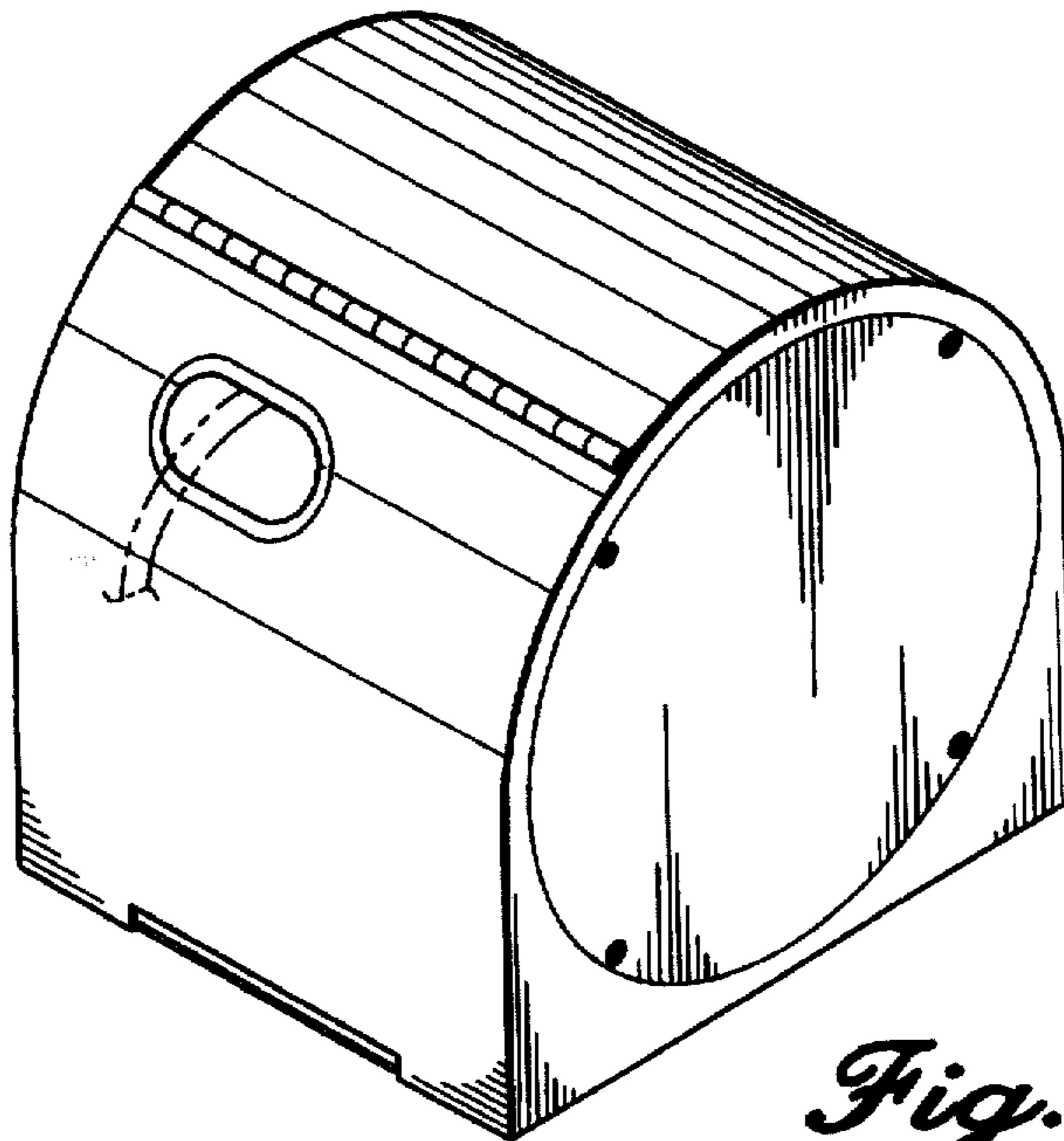


Fig. 1

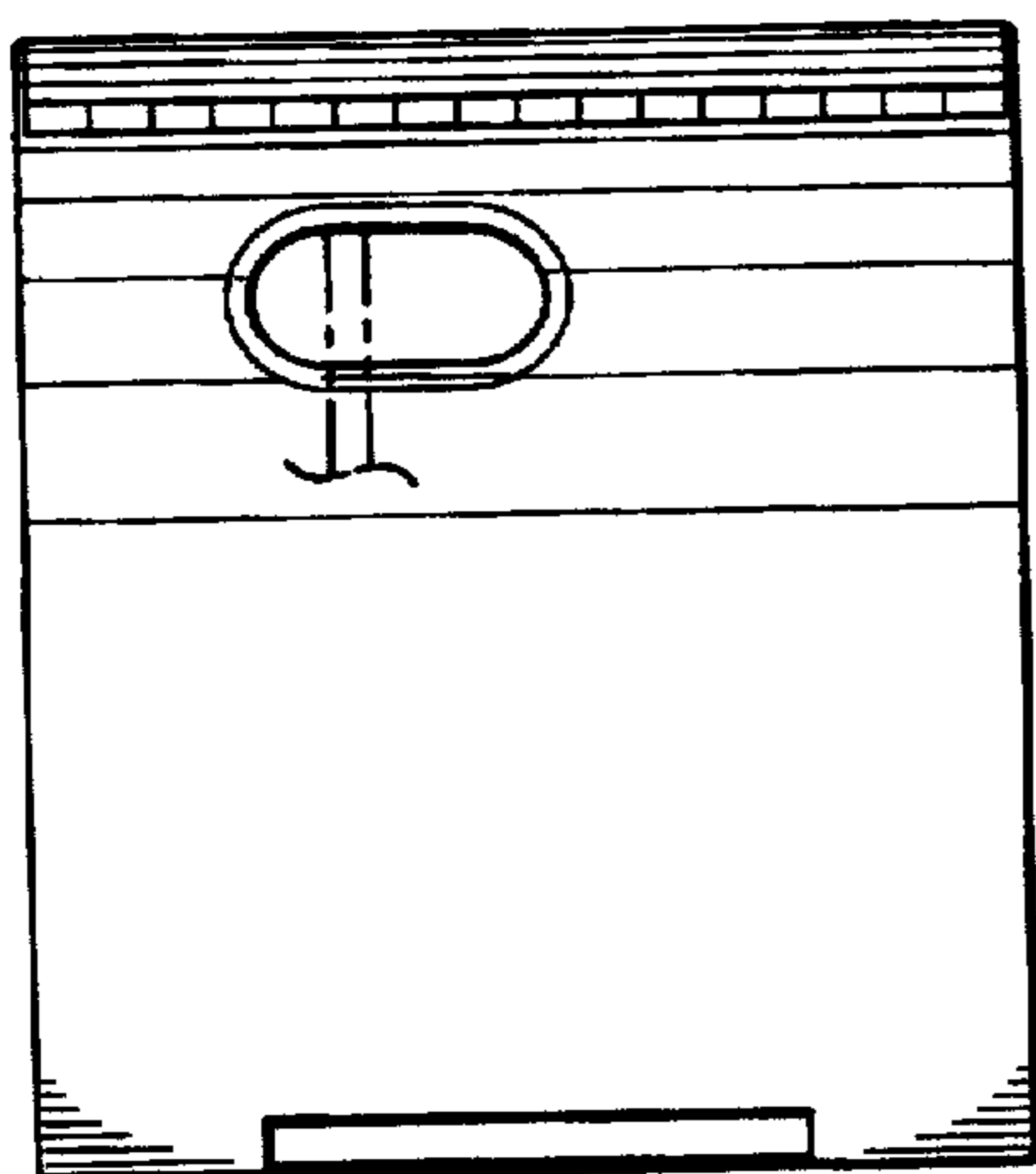


Fig. 2

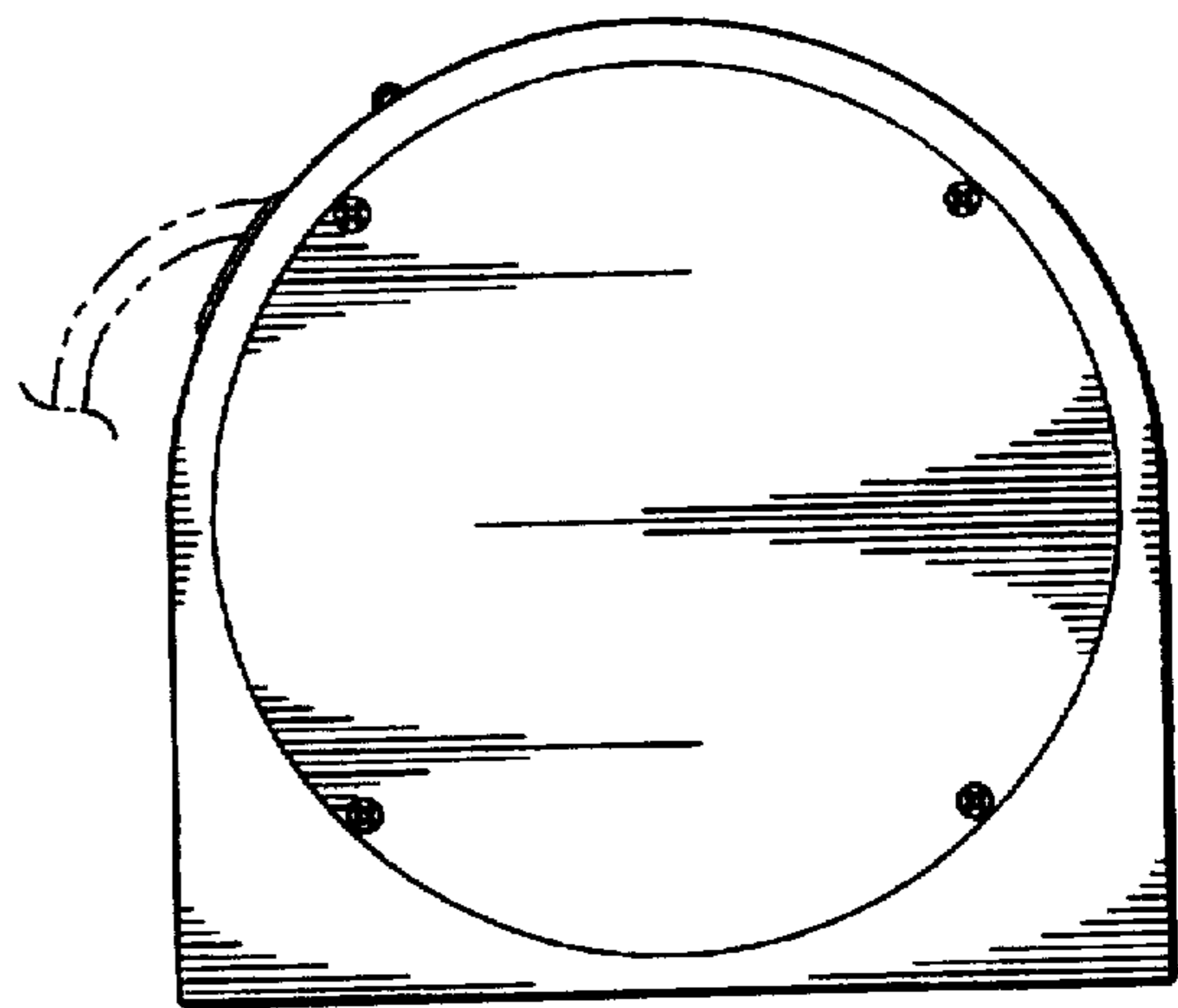


Fig. 3

Fig. 4

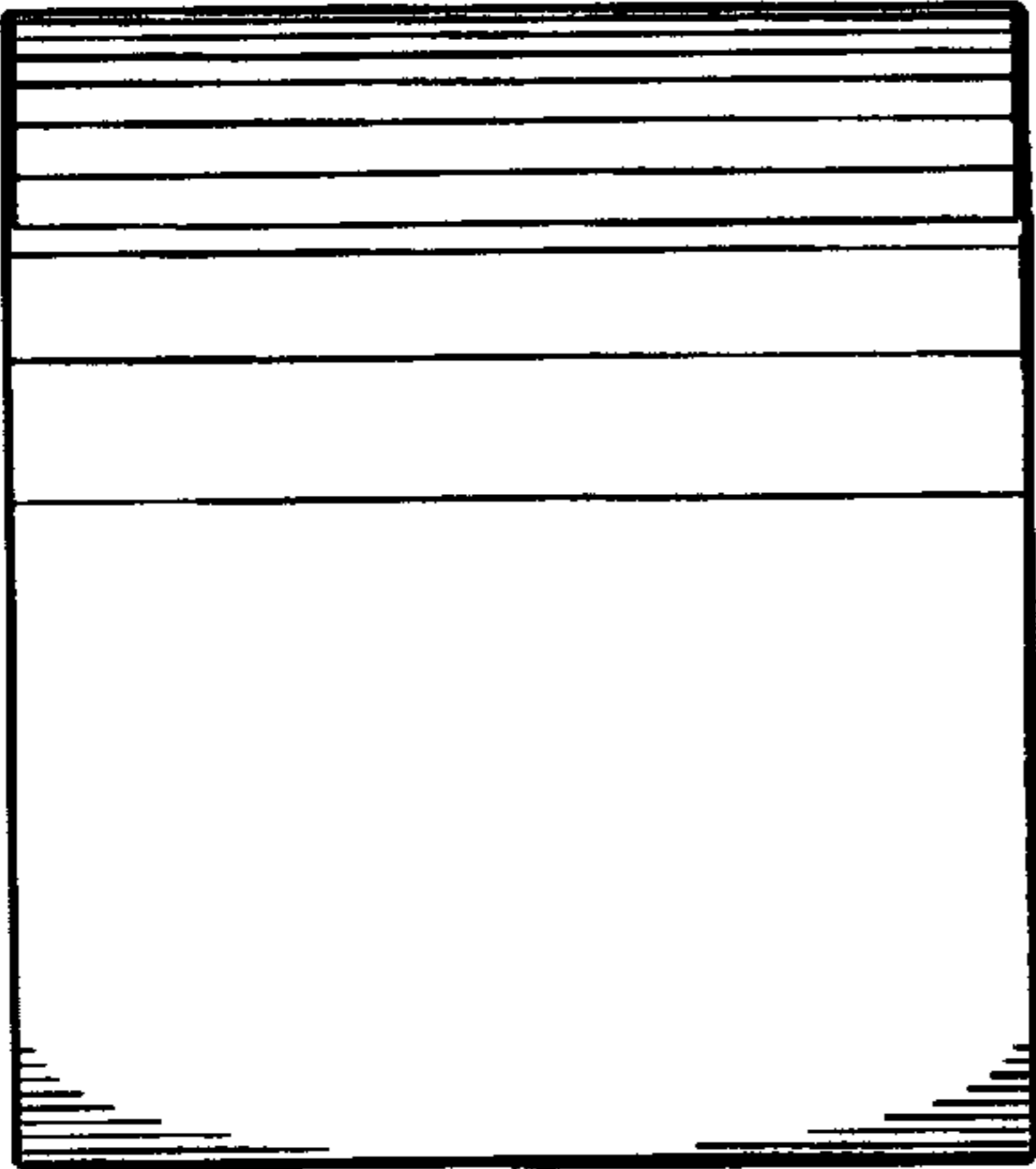
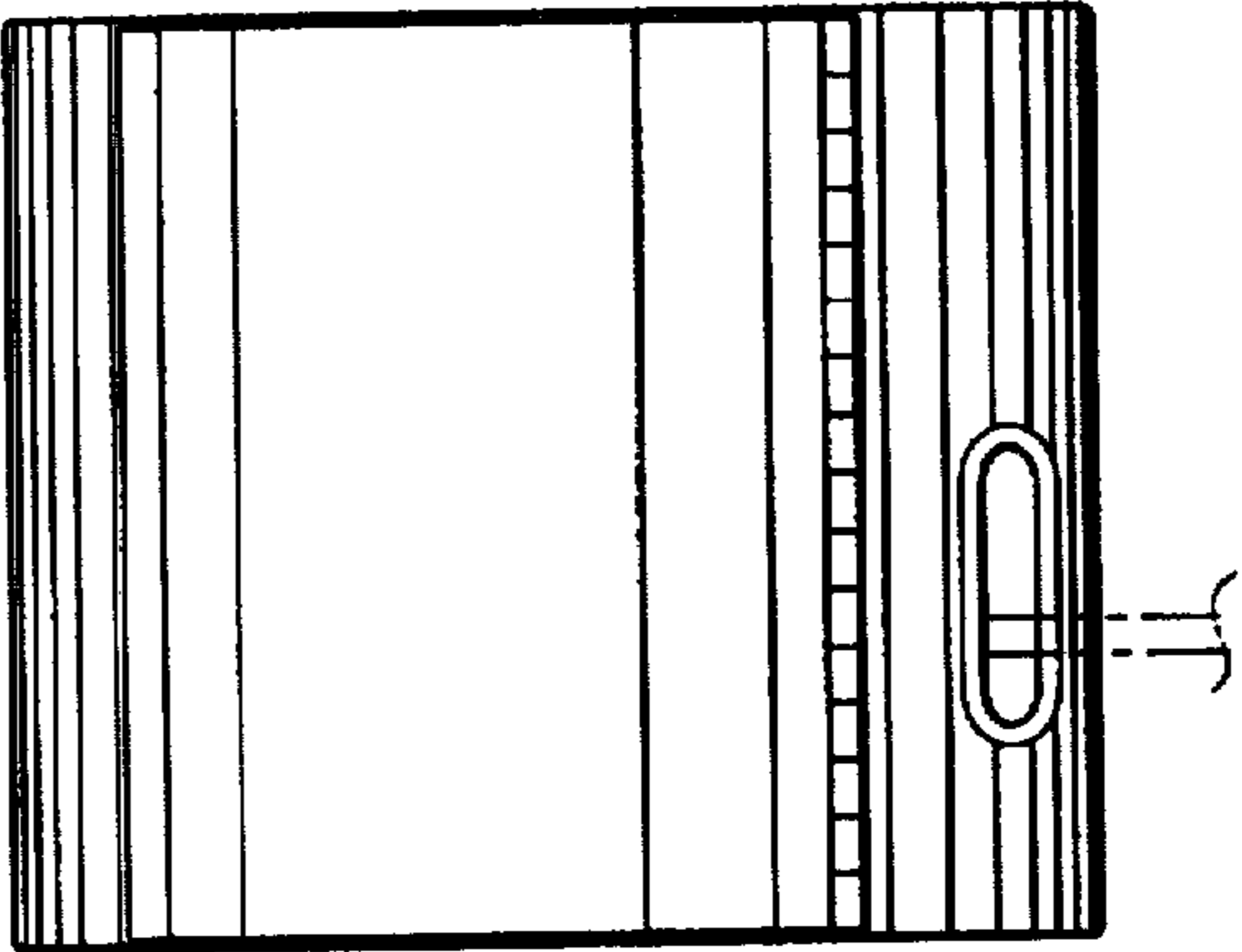


Fig. 5

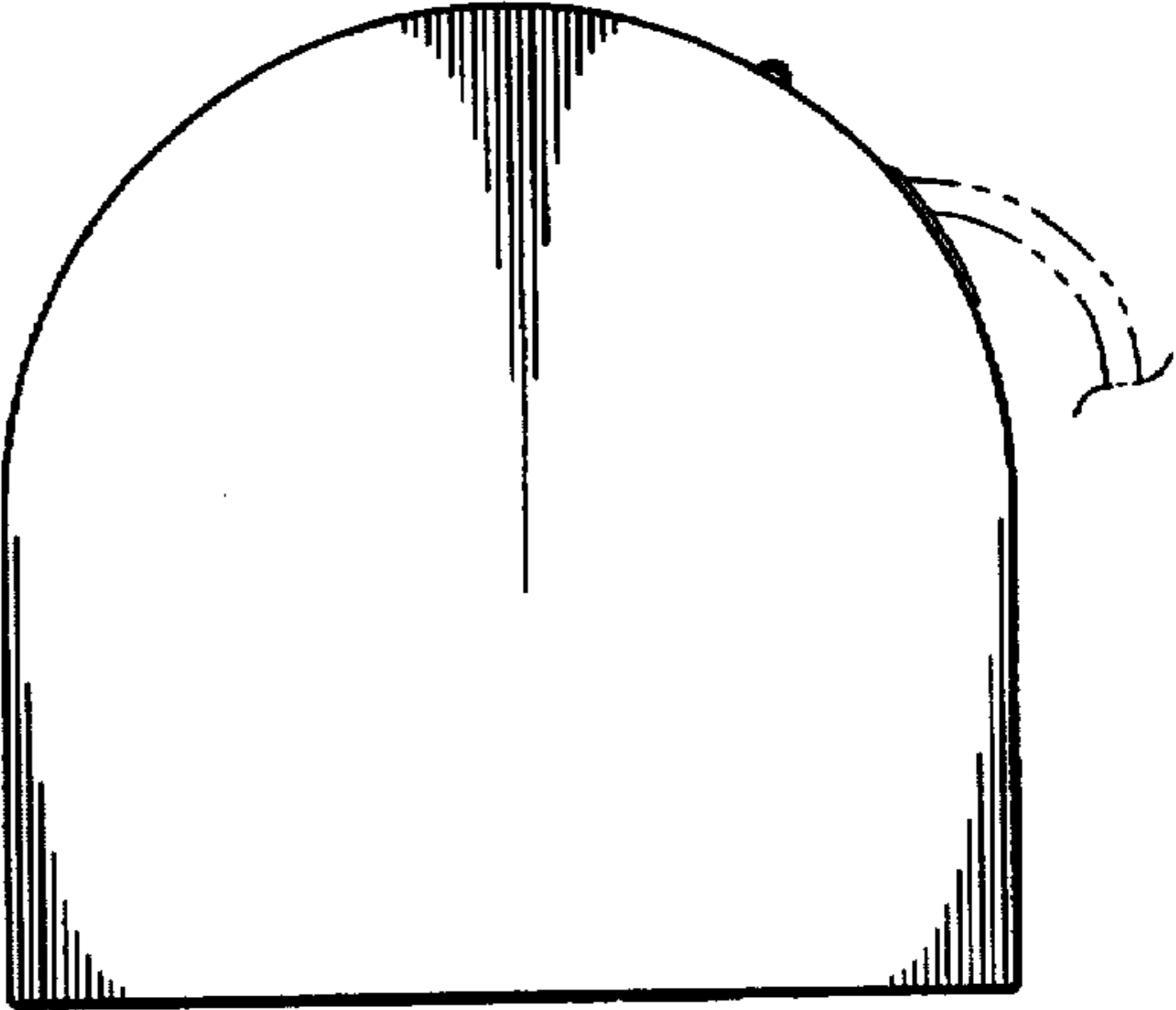


Fig. 6

Fig. 7

