



US00D389724S

**United States Patent** [19]  
**Webster**

[11] **Patent Number: Des. 389,724**  
[45] **Date of Patent: \*\*Jan. 27, 1998**

[54] **STEERING COLUMN LOCK**

4,098,102 7/1978 Kalina ..... 70/237

[76] **Inventor: Hugh J. Webster, 27000 Richmond Rd., Solon, Ohio 44139**

*Primary Examiner*—Brian N. Vinson  
*Attorney, Agent, or Firm*—James A. Hudak

[\*\*] **Term: 14 Years**

[57] **CLAIM**

[21] **Appl. No.: 59,750**

The ornamental design for a steering column lock, as shown and described.

[22] **Filed: Sep. 16, 1996**

**DESCRIPTION**

[51] **LOC (6) Cl. .... 08-07**

FIG. 1 is a perspective view of the steering column lock showing my new design;

[52] **U.S. Cl. .... D8/333**

FIG. 2 is a front elevational view thereof;

[58] **Field of Search .... D8/330-331, 333, D8/346; 70/237, 252, 253, 225, 183, 184, 181, 14**

FIG. 3 is a right side elevational view thereof;

FIG. 4 is a left side elevational view thereof;

FIG. 5 is a top plan view thereof;

FIG. 6 is a rear elevational view thereof;

FIG. 7 is a bottom plan view thereof; and

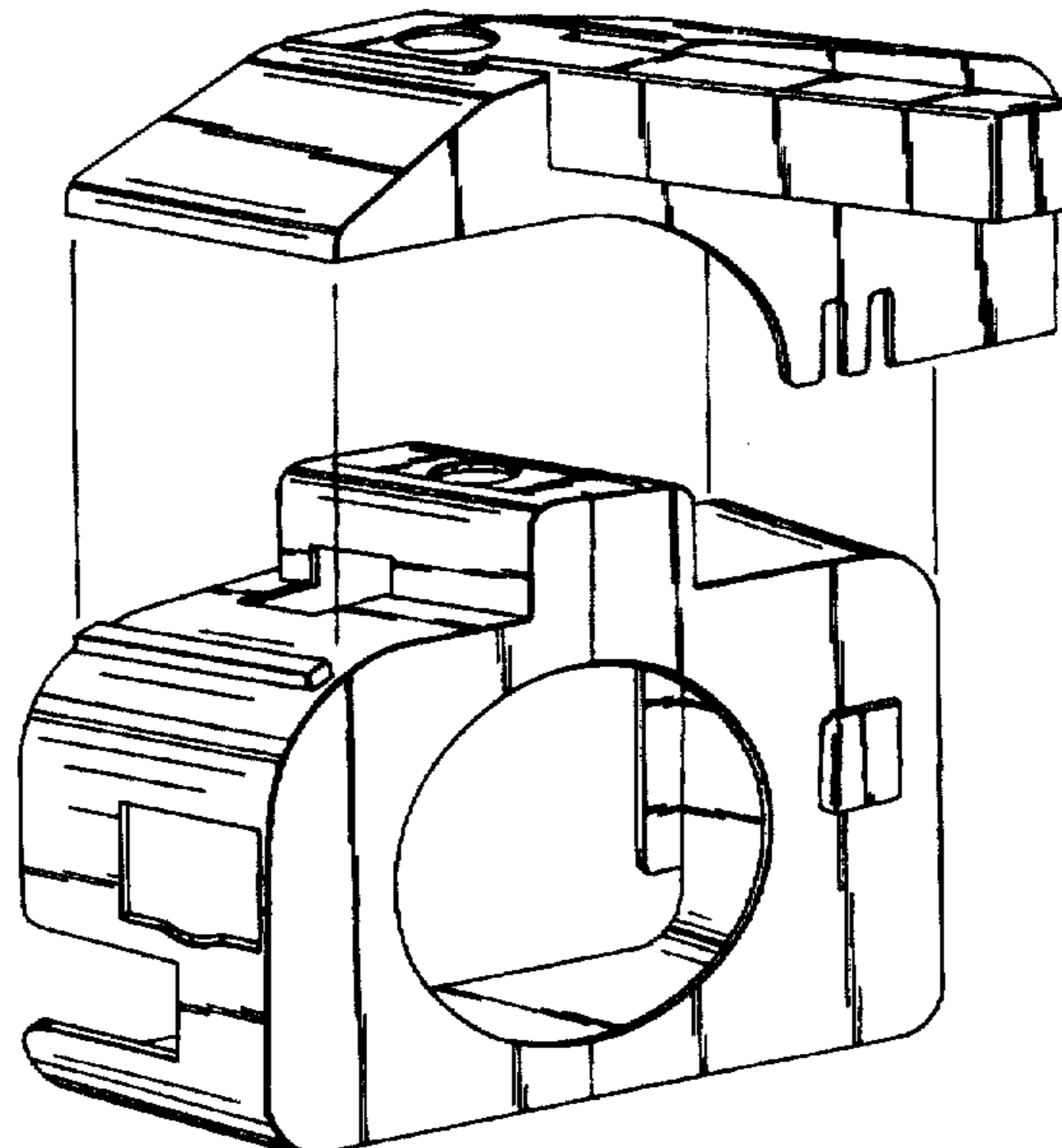
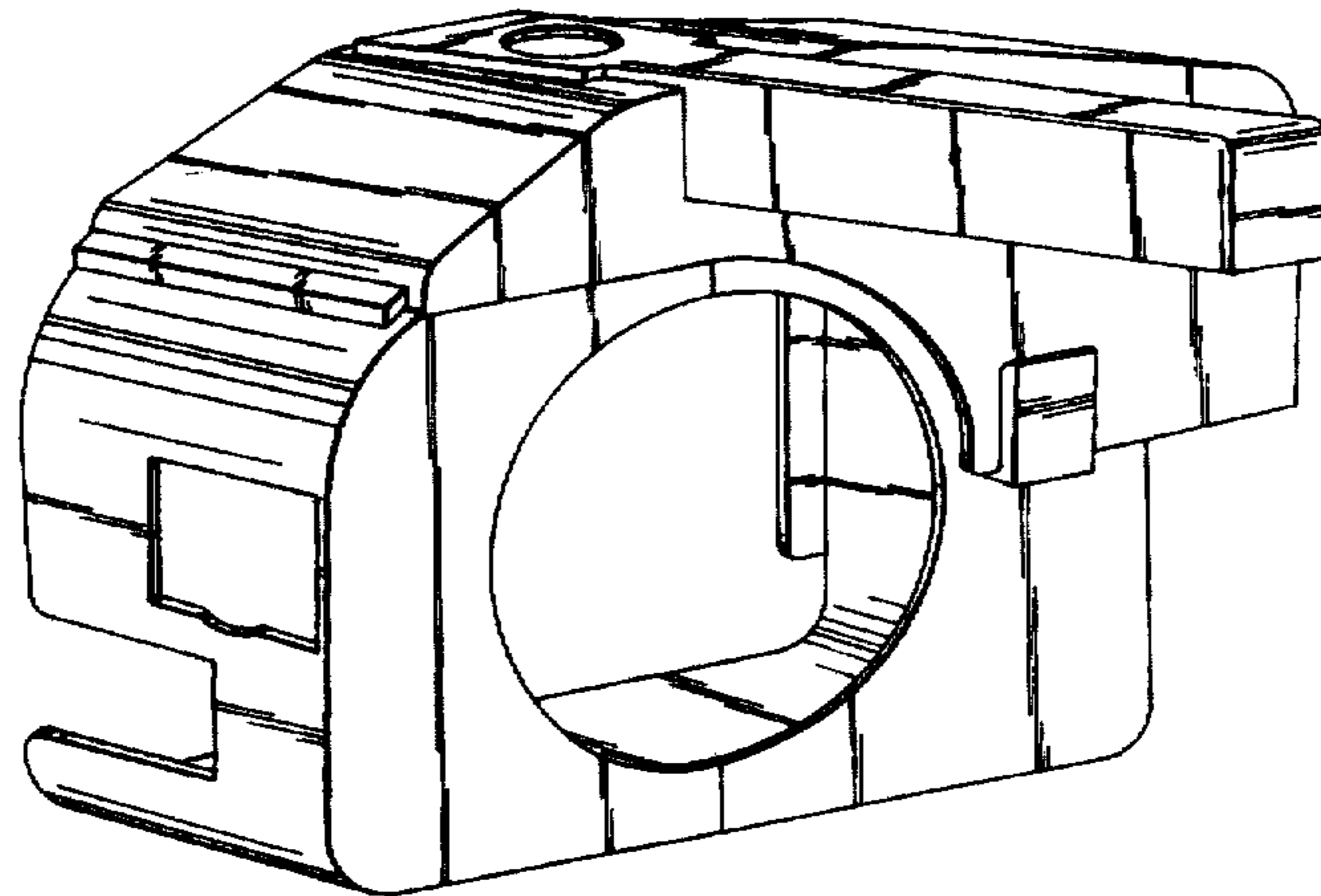
FIG. 8 is an exploded perspective view thereof.

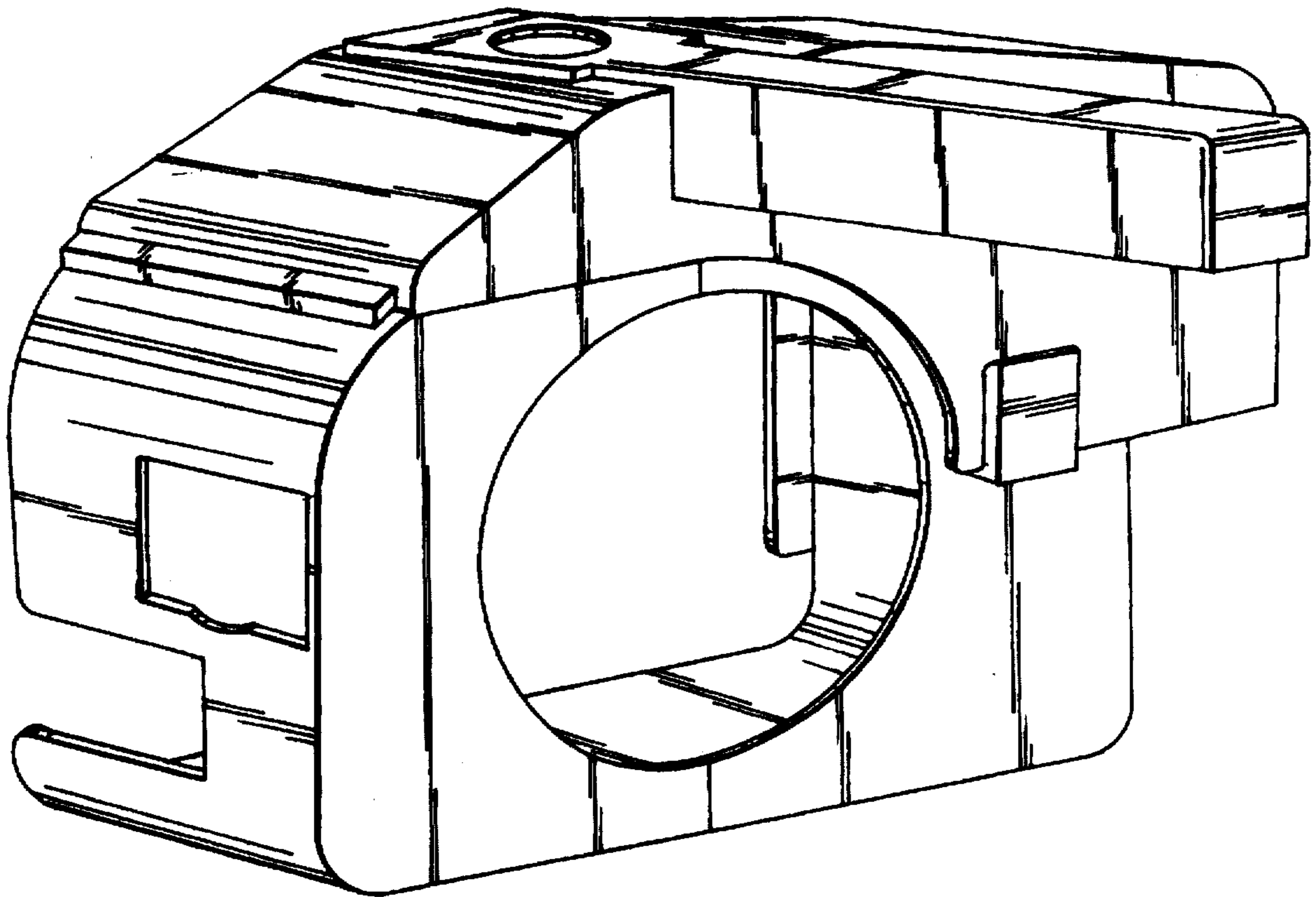
[56] **References Cited**

**U.S. PATENT DOCUMENTS**

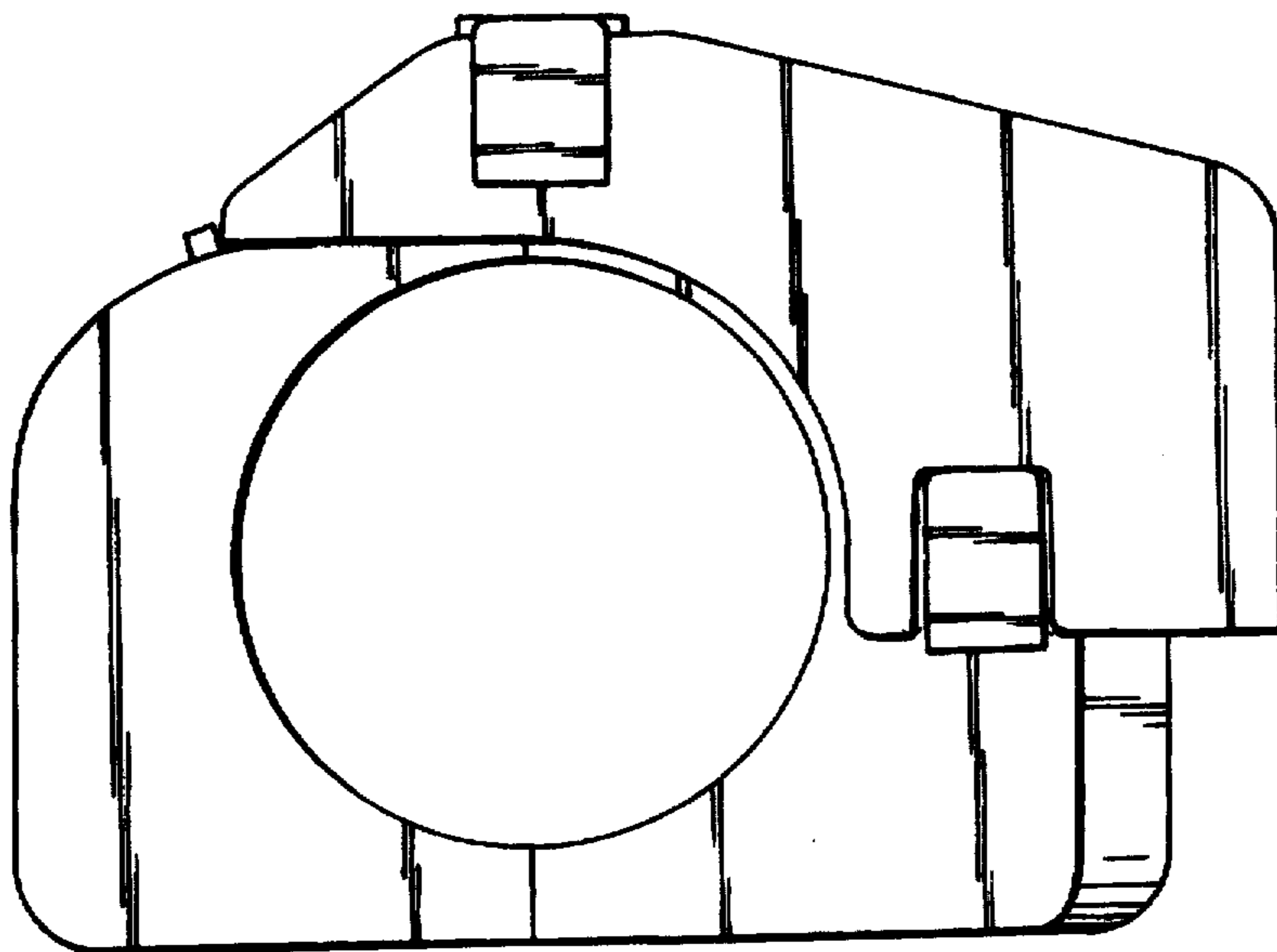
D. 301,541	6/1989	Gifford	.....	D8/331
D. 311,587	10/1990	Webster	.....	D8/331
D. 349,034	7/1994	Webster	.....	D8/331

**1 Claim, 4 Drawing Sheets**



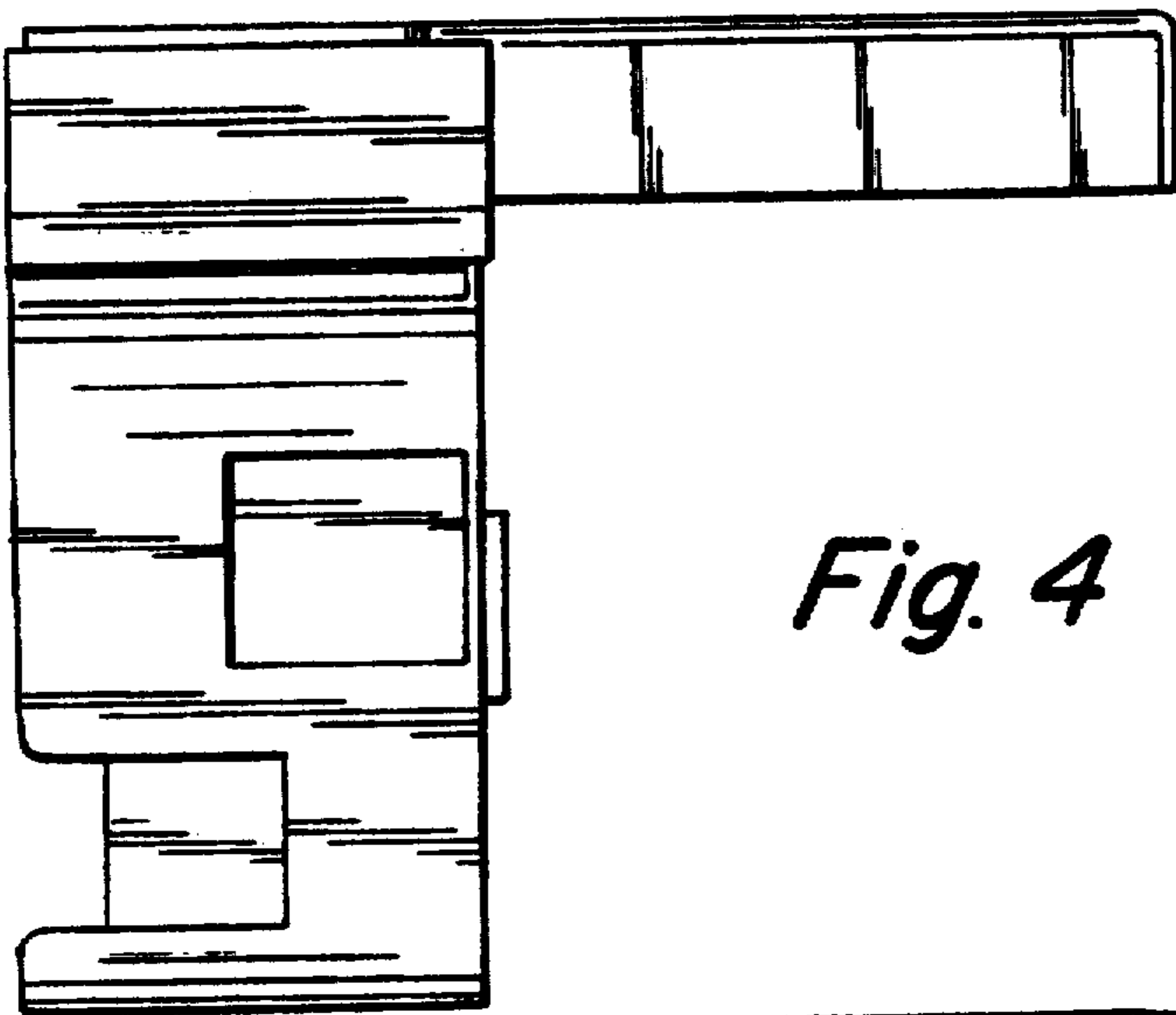
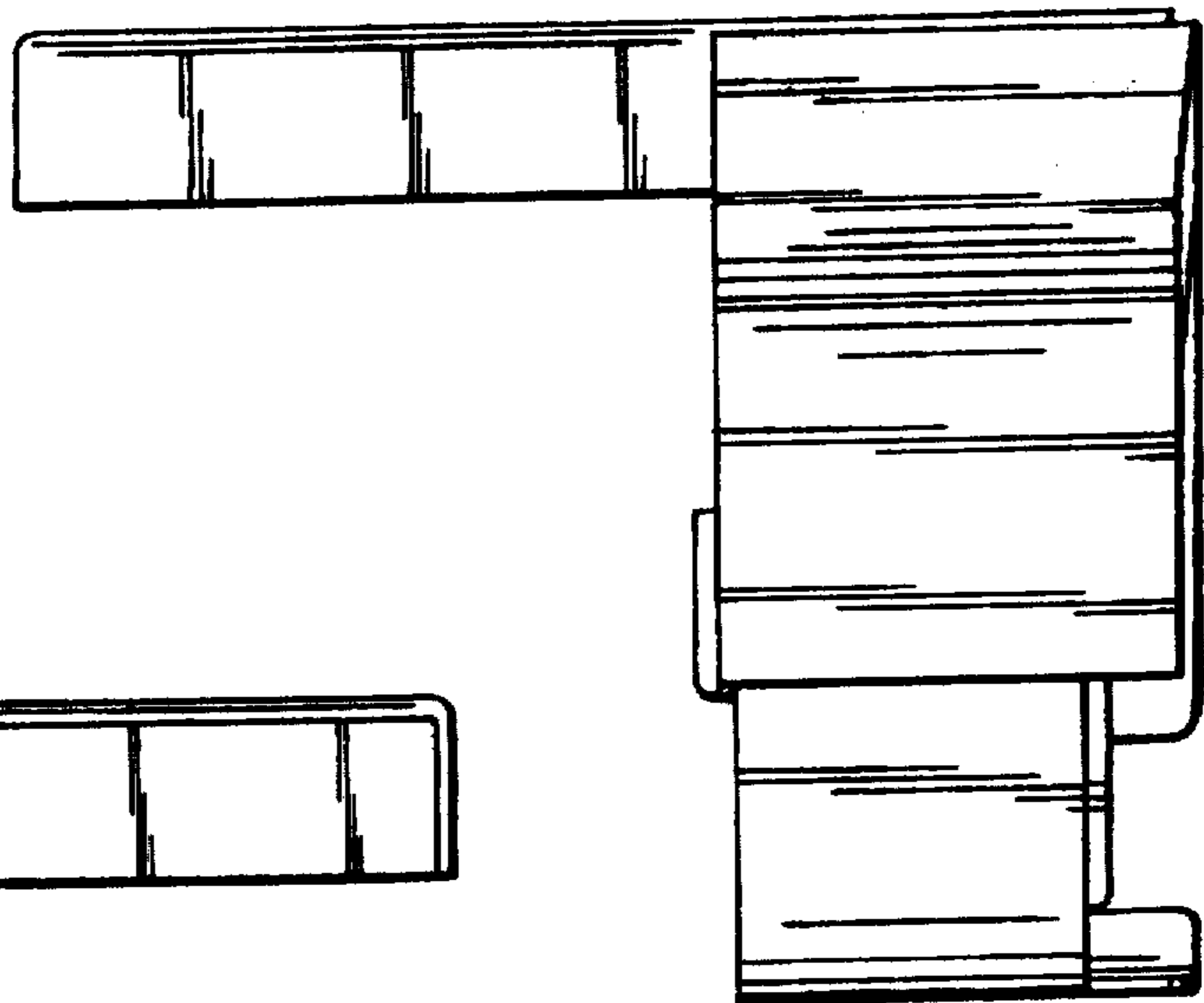


*Fig. 1*

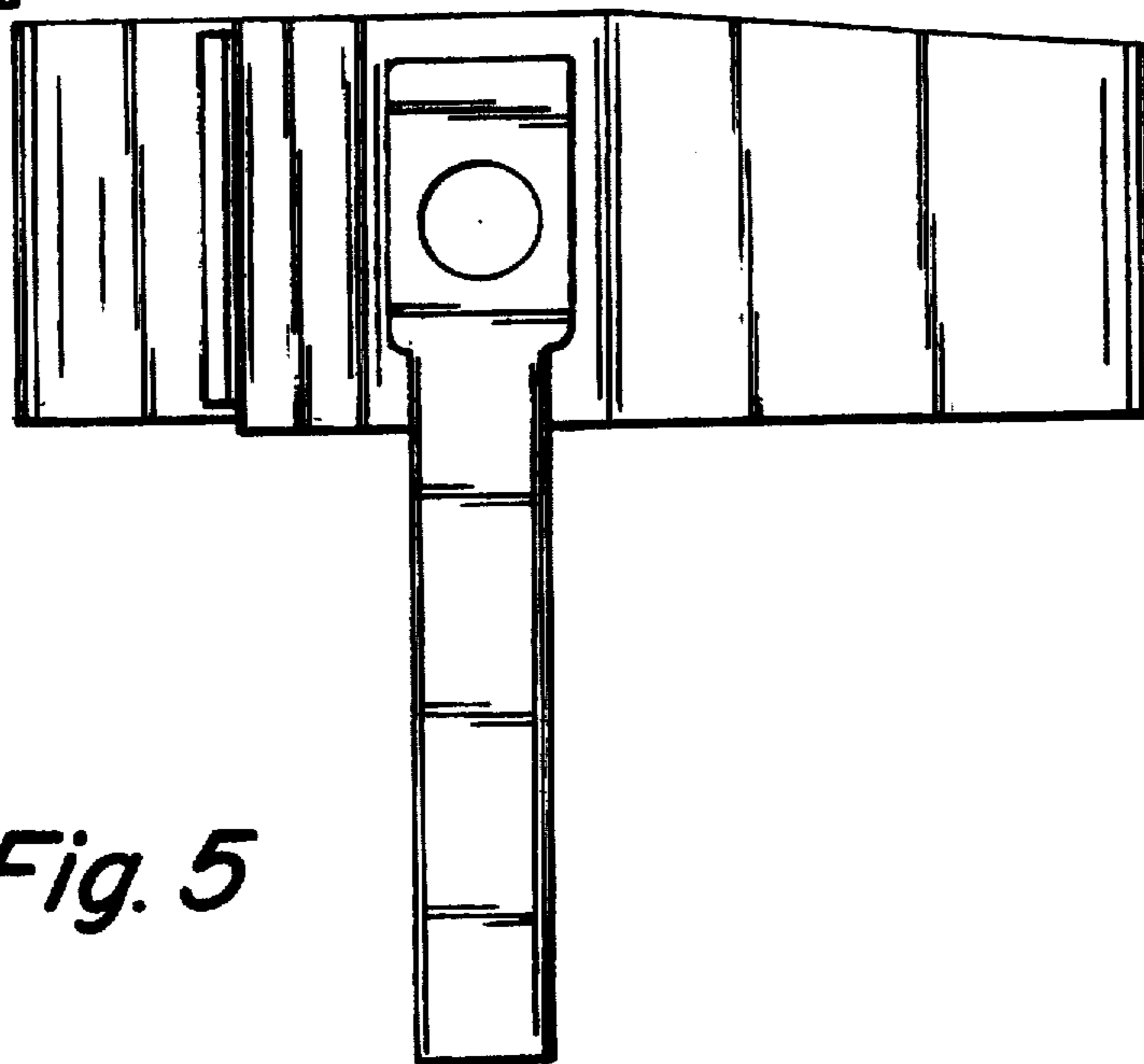


*Fig. 2*

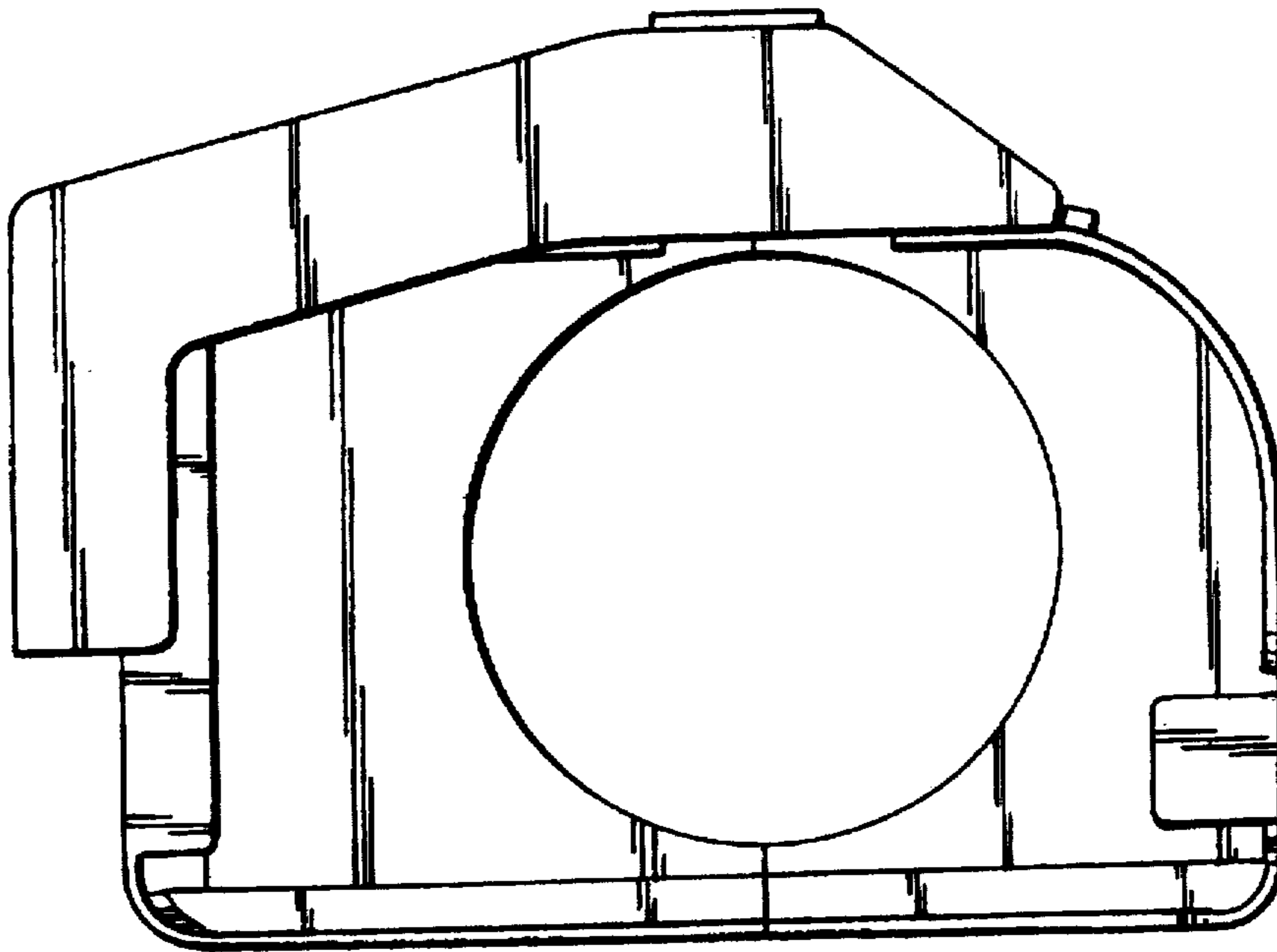
*Fig. 3*



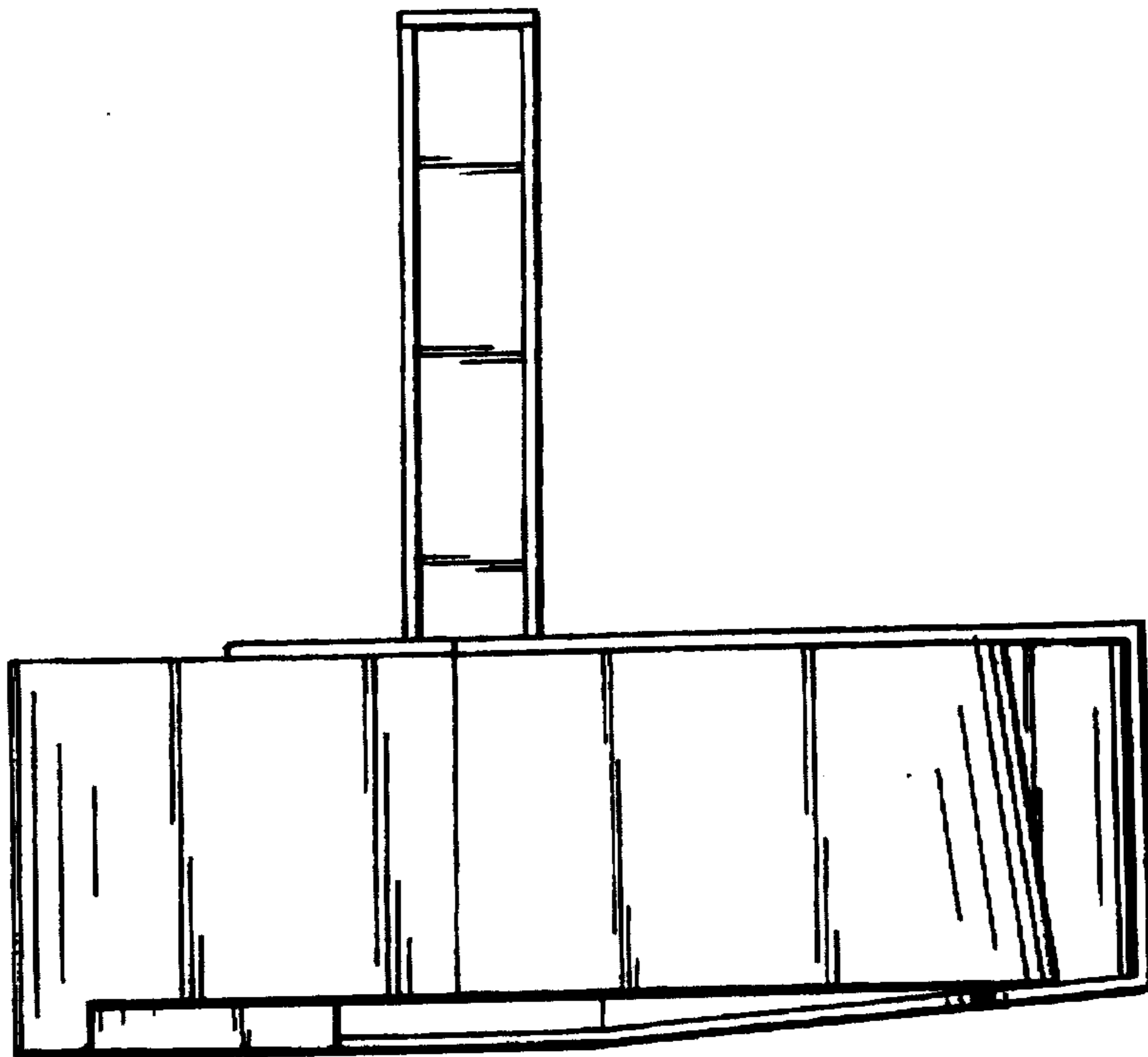
*Fig. 4*



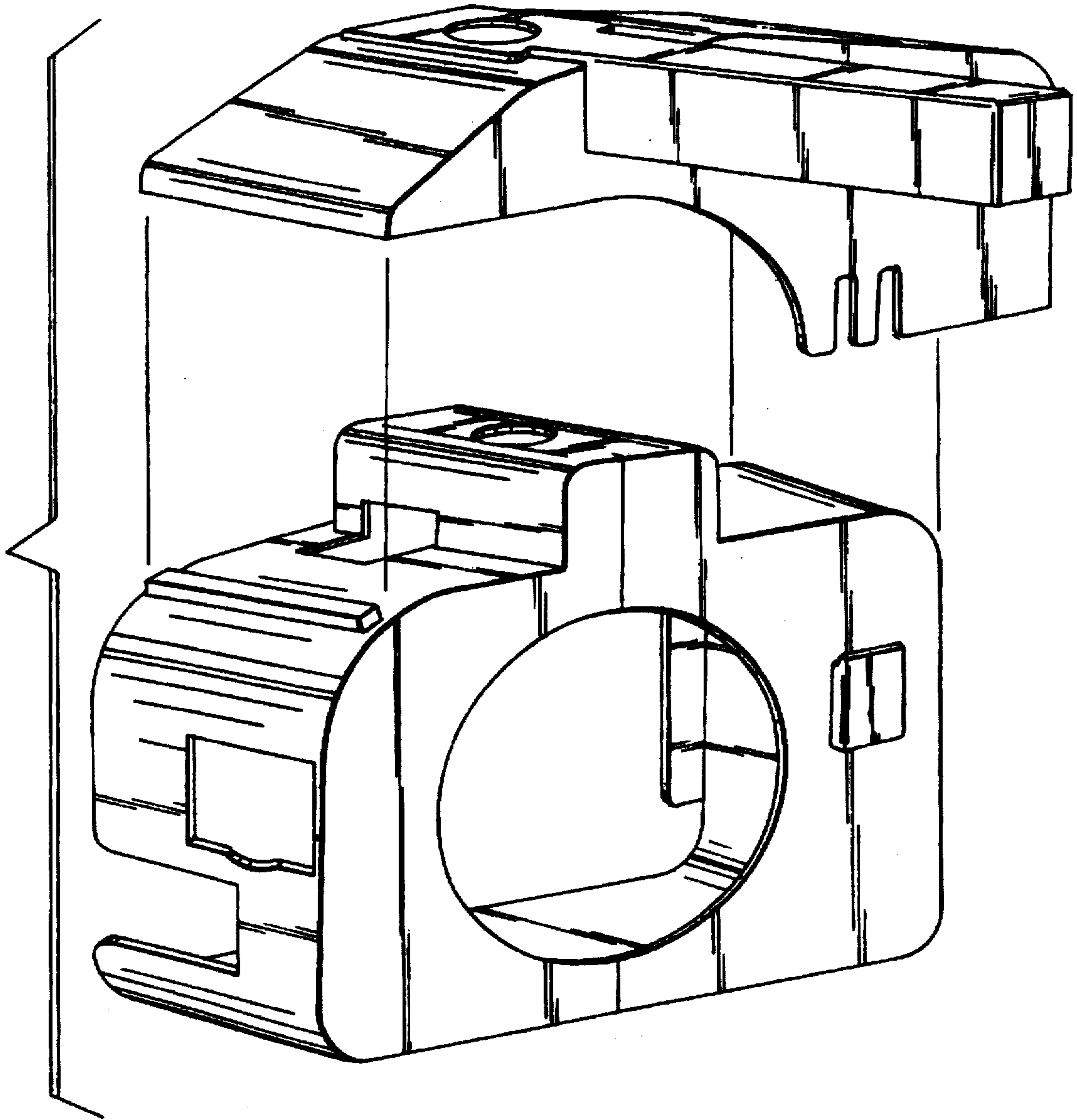
*Fig. 5*



*Fig. 6*



*Fig. 7*



*Fig. 8*