



US00D389719S

United States Patent [19]
O'Hara et al.

[11] **Patent Number: Des. 389,719**
[45] **Date of Patent: **Jan. 27, 1998**

[54] **POCKET KNIFE**

4,218,819 8/1980 Phelps 30/157
4,408,394 10/1983 Phelps 30/157

[76] Inventors: **Douglas R. O'Hara**, 8129 Savannah Hills Dr., Ooltewah, Tenn. 37363; **Paul Steven Williams**, 129 Blue Springs La., Cleveland, Tenn. 37311

OTHER PUBLICATIONS

Blade Magazine, Apr. 1991, pp. 52 & 53, novelty knives. Smokey Mountain Knife Works Catalog, 1996, p. 49, Truckers knife.

[**] Term: **14 Years**

Primary Examiner—Philip S. Hyder
Attorney, Agent, or Firm—Alan Ruderman

[21] Appl. No.: **64,749**

[57] **CLAIM**

[22] Filed: **Jan. 10, 1997**

The ornamental design for a pocket knife, as shown.

[51] LOC (6) Cl. **08-03**

[52] U.S. Cl. **D8/100**

[58] **Field of Search** D8/100, 99, 98, D8/105, 107; D22/118; 30/151, 152, 153, 154, 155, 156, 157, 158, 159, 160, 161

DESCRIPTION

FIG. 1 is a front perspective view of a pocket knife embodying my new design with the blade in the retracted position; FIG. 2 is a view similar to FIG. 1 with the blade extended fully; FIG. 3 is a side elevational view with the blade retracted; FIG. 4 is a bottom rear perspective view thereof with the blade retracted; and, FIG. 5 is a bottom rear perspective view with the blade extended.

[56] **References Cited**

U.S. PATENT DOCUMENTS

D. 254,288	2/1980	Pharr, Jr.	D8/99
D. 363,871	11/1995	Coggins	D8/99
3,896,546	7/1975	Hildebrandt	30/157
4,073,057	2/1978	Gilbert	30/153
4,161,818	7/1979	Phelps	30/157

1 Claim, 2 Drawing Sheets

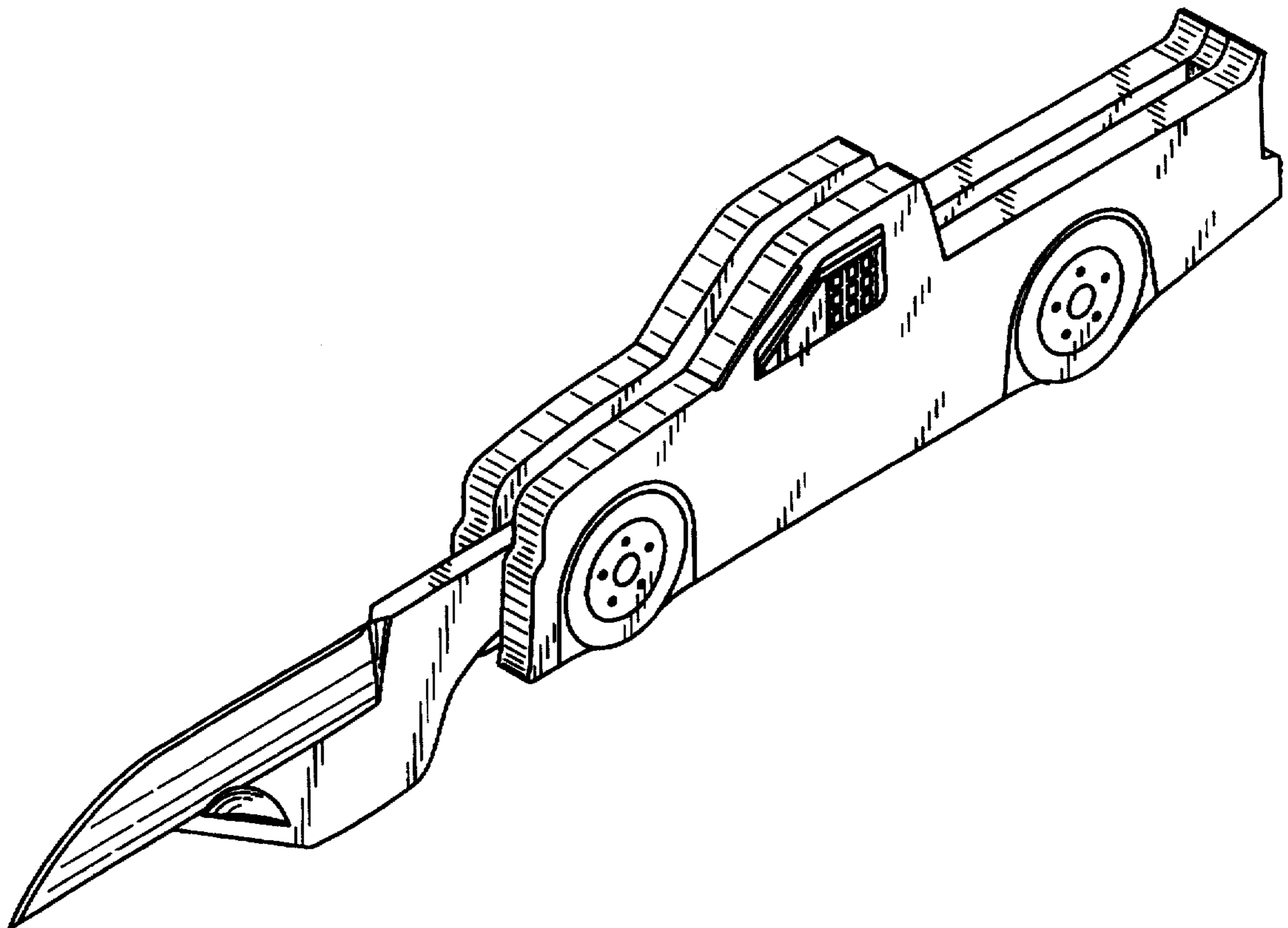


FIG. 1

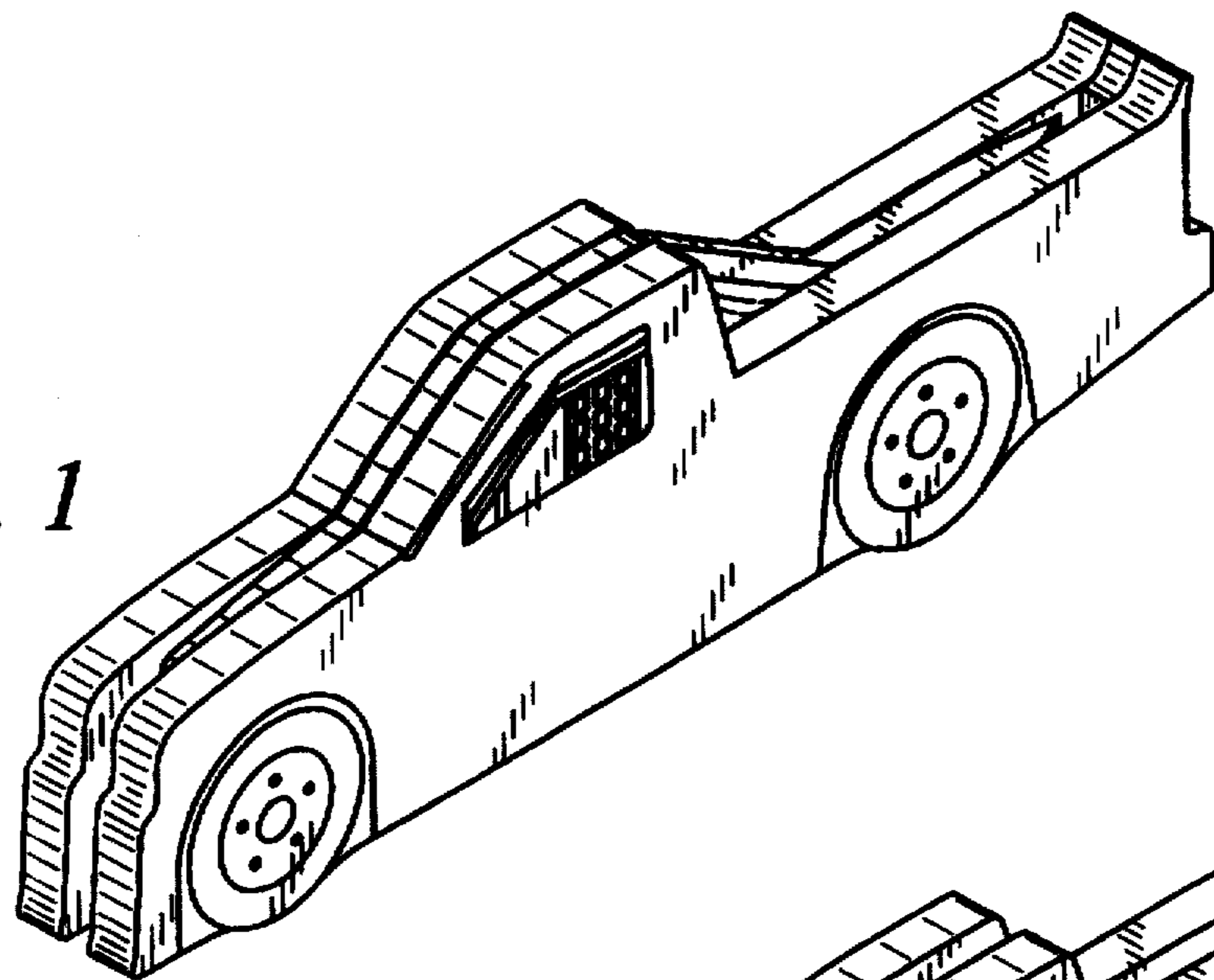


FIG. 2

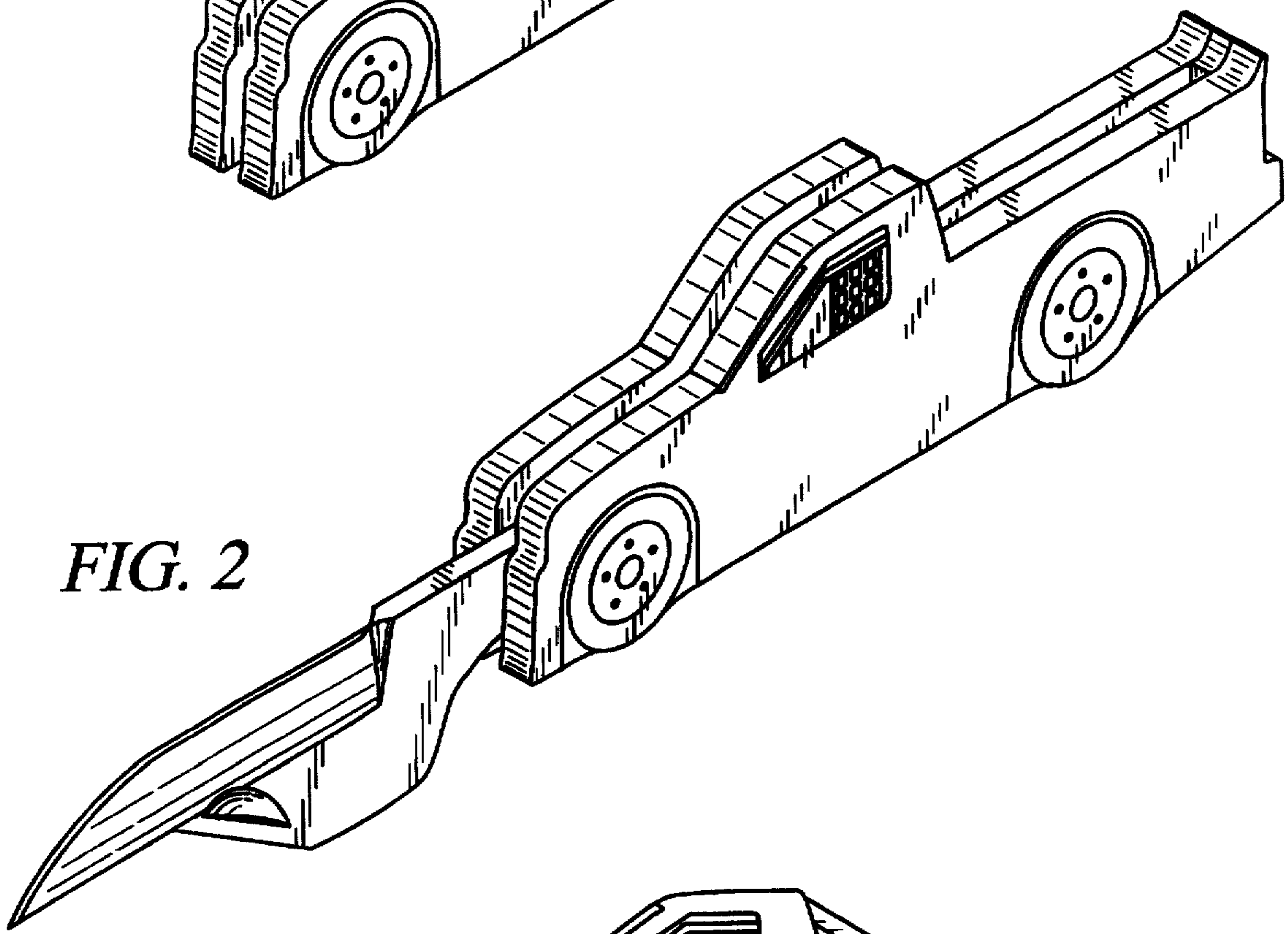
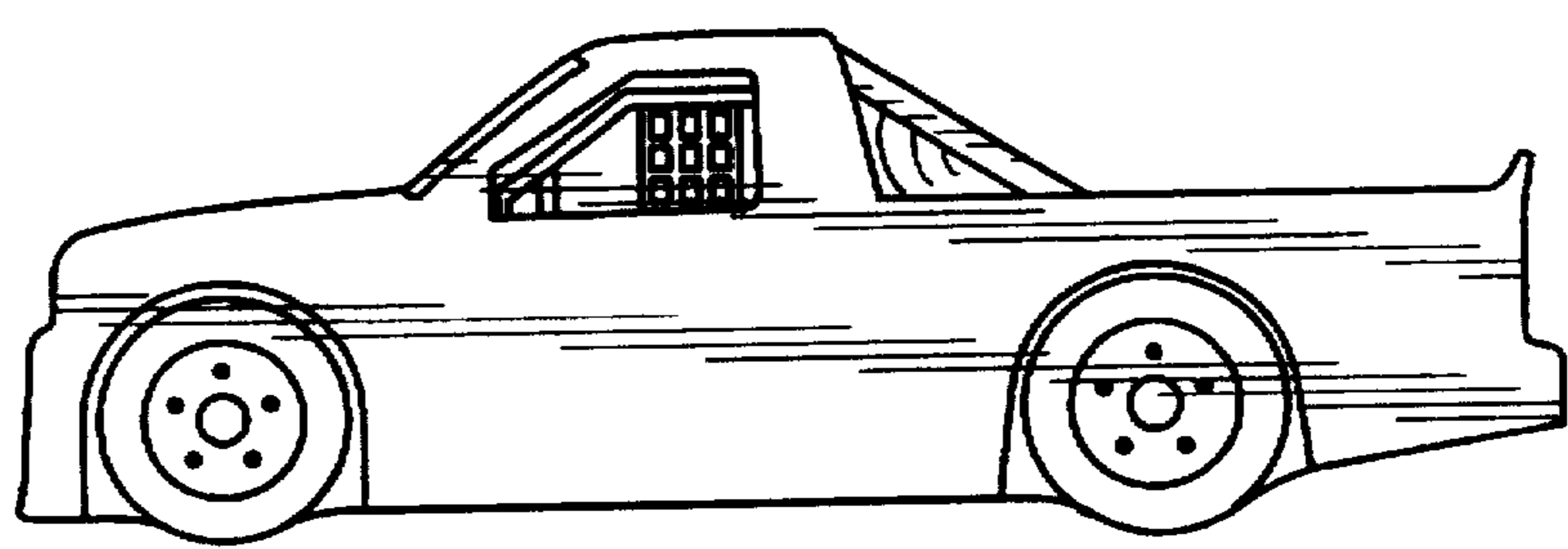


FIG. 3



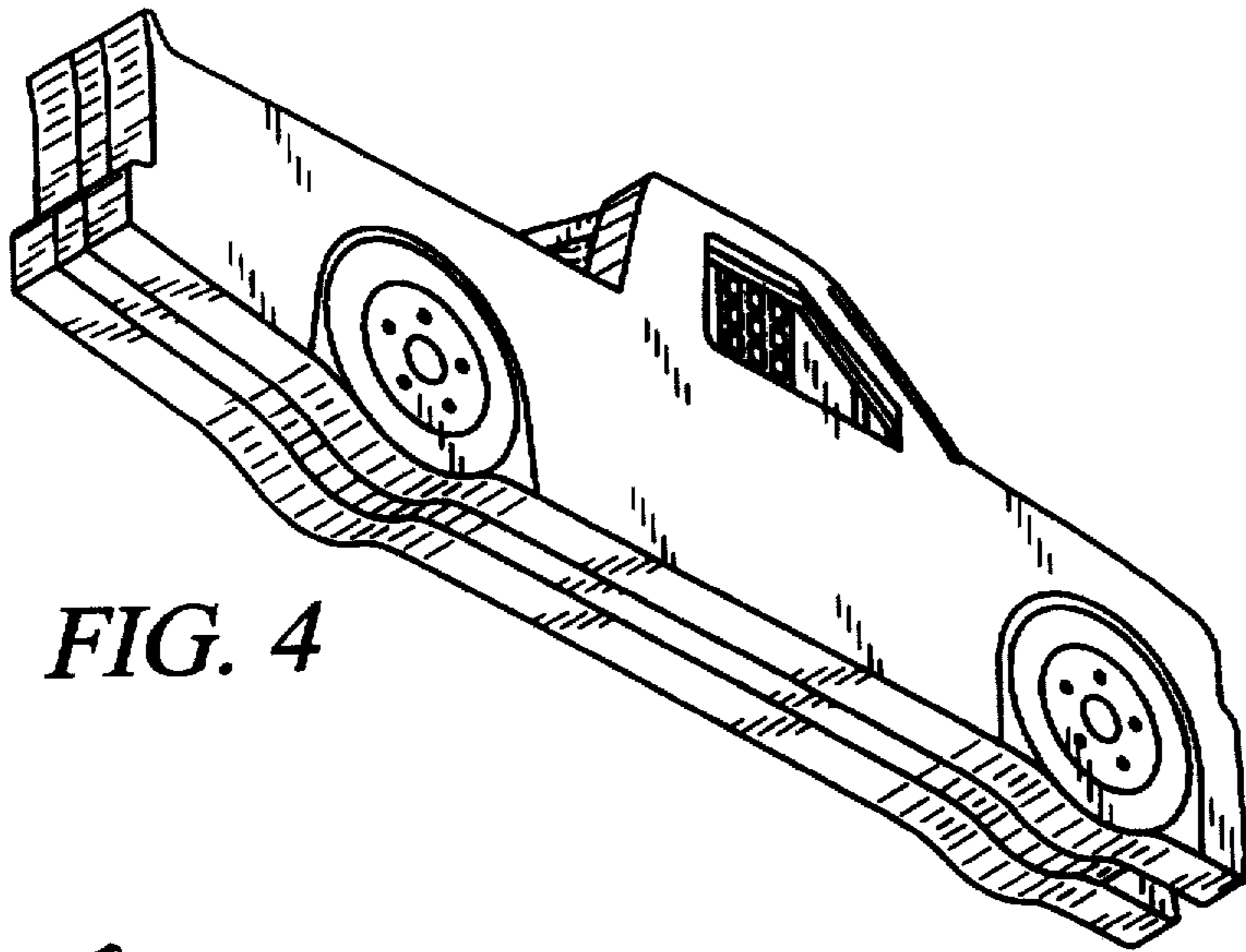


FIG. 4

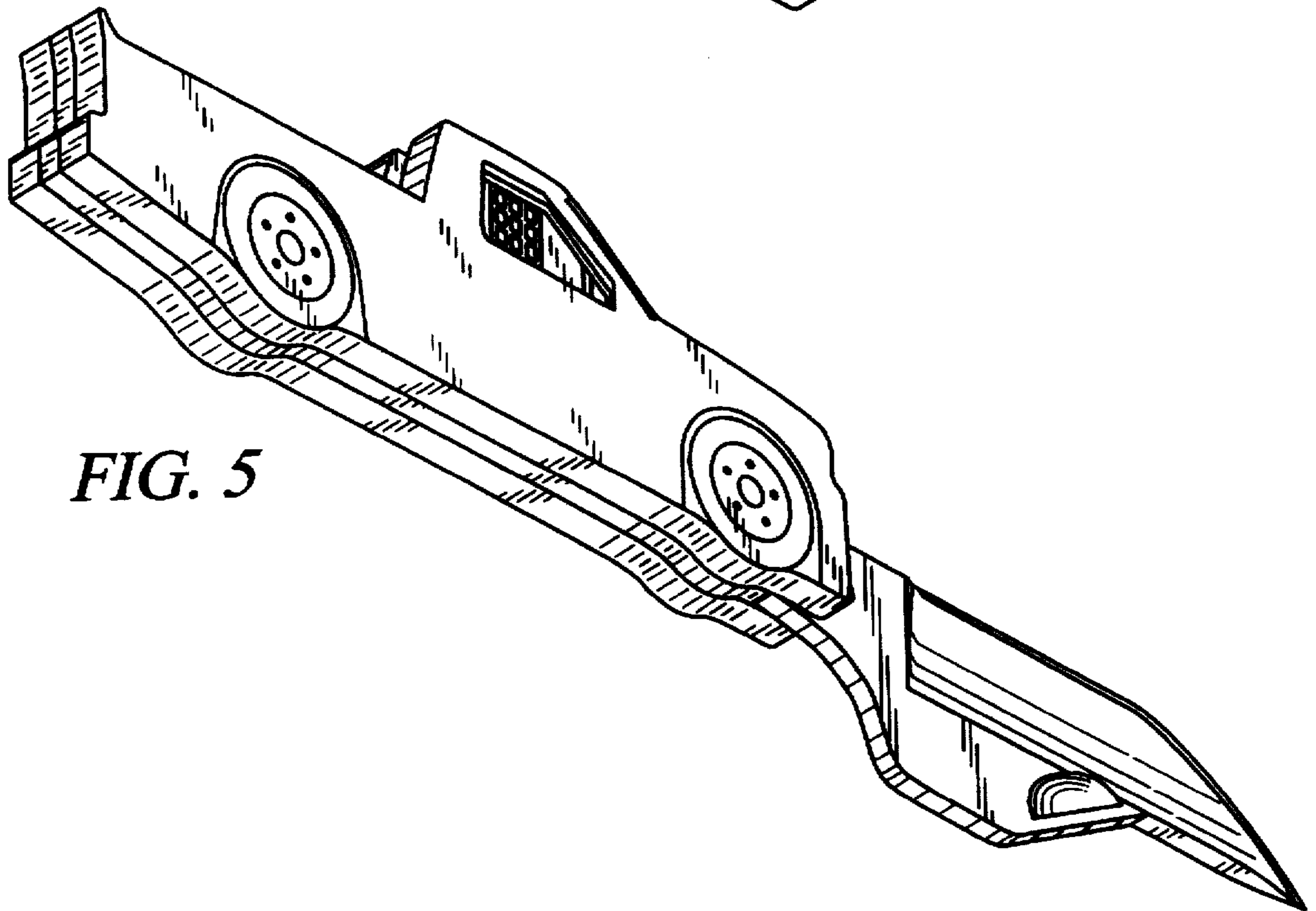


FIG. 5