



US00D389717S

United States Patent [19]
Burnett

[11] **Patent Number:** **Des. 389,717**
[45] **Date of Patent:** ****Jan. 27, 1998**

[54] **SELECTIVELY FOLDED KNIFE**

[76] **Inventor:** **Carroll C. Burnett, Suite 301, 1101
New Hampshire Ave., NW.,
Washington, D.C. 20037**

[**] **Term:** **14 Years**

[21] **Appl. No.:** **46,500**

[22] **Filed:** **Nov. 16, 1995**

[51] **LOC (6) Cl.** **08-03**

[52] **U.S. Cl.** **D8/99**

[58] **Field of Search** **D8/98, 99, 107;
D22/118; 30/151, 152, 153, 154, 155, 156,
157, 158, 159, 160, 161, 162**

[56] **References Cited**

U.S. PATENT DOCUMENTS

D. 148,049	12/1947	Caldwell	D8/99
D. 172,935	8/1954	Oles	D22/118
D. 280,178	8/1985	Lang	D8/99
D. 347,375	5/1994	Sakai	D8/99
D. 348,818	7/1994	Hasegawa	D8/99
D. 365,266	12/1995	Hasegawa	D8/99
5,060,379	10/1991	Neely	30/155
5,095,624	3/1992	Ennis	30/159
5,450,670	9/1995	Sakai	30/155

OTHER PUBLICATIONS

Atlanta Cutlery Catalog, 1994, p. 2, Workhorse Knives.
Atlanta Cutlery Catalog, 1994, p. 7, Folding Dagger.
Fighting Knives Magazine, 1992, p. 29, Timberline Knives.

Primary Examiner—Philip S. Hyder
Attorney, Agent, or Firm—Armstrong, Westerman, Hattori,
McLeland & Naughton

[57] **CLAIM**

The ornamental design for a selectively foldable knife, as shown and described.

DESCRIPTION

FIG. 1 is a top, rear and left-hand side perspective view of a first embodiment of a design for a selectively foldable knife having the knife blade folded outwardly;
FIG. 2 is a bottom, front and right-hand side perspective view thereof;
FIG. 3 is a top view thereof;
FIG. 4 is a bottom view thereof;
FIG. 5 is a front view thereof;
FIG. 6 is a rear view thereof;
FIG. 7 is a left-hand side view thereof; and
FIG. 8 is a right-hand side view thereof;
FIG. 9 is a top, rear and left-hand side perspective view of a second embodiment of the design for the selectively foldable knife shown in FIG. 1 having the knife blade folded inwardly;
FIG. 10 is a bottom, front and right-hand side perspective view thereof;
FIG. 11 is a top view thereof;
FIG. 12 is a bottom view thereof;
FIG. 13 is a front view thereof;
FIG. 14 is a rear view thereof;
FIG. 15 is a left-hand side view thereof;
FIG. 16 is a right-hand side view thereof; and,
FIG. 17 is a fragmentary top, rear and left-hand side perspective view of a rear end portion thereof.

1 Claim, 11 Drawing Sheets

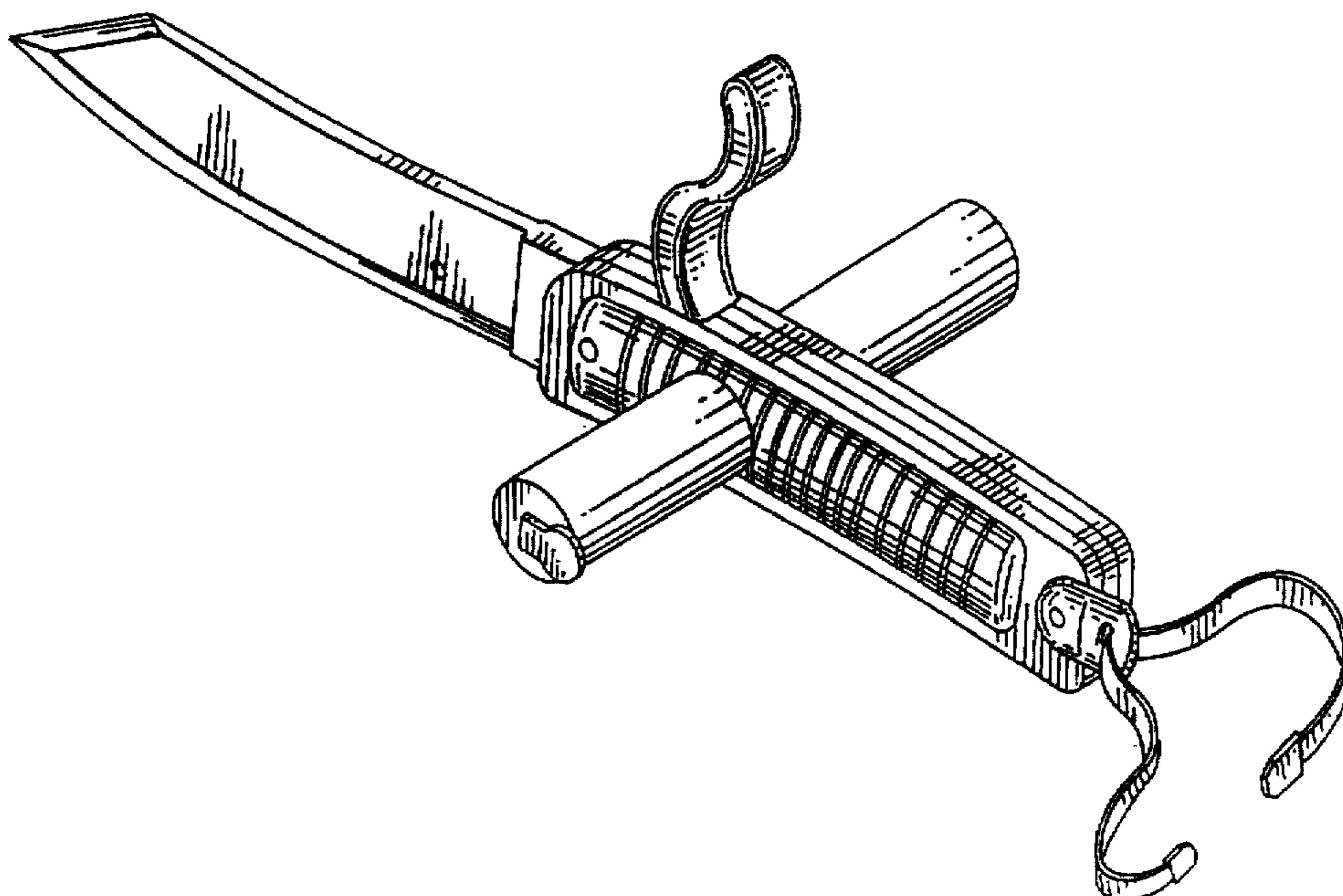
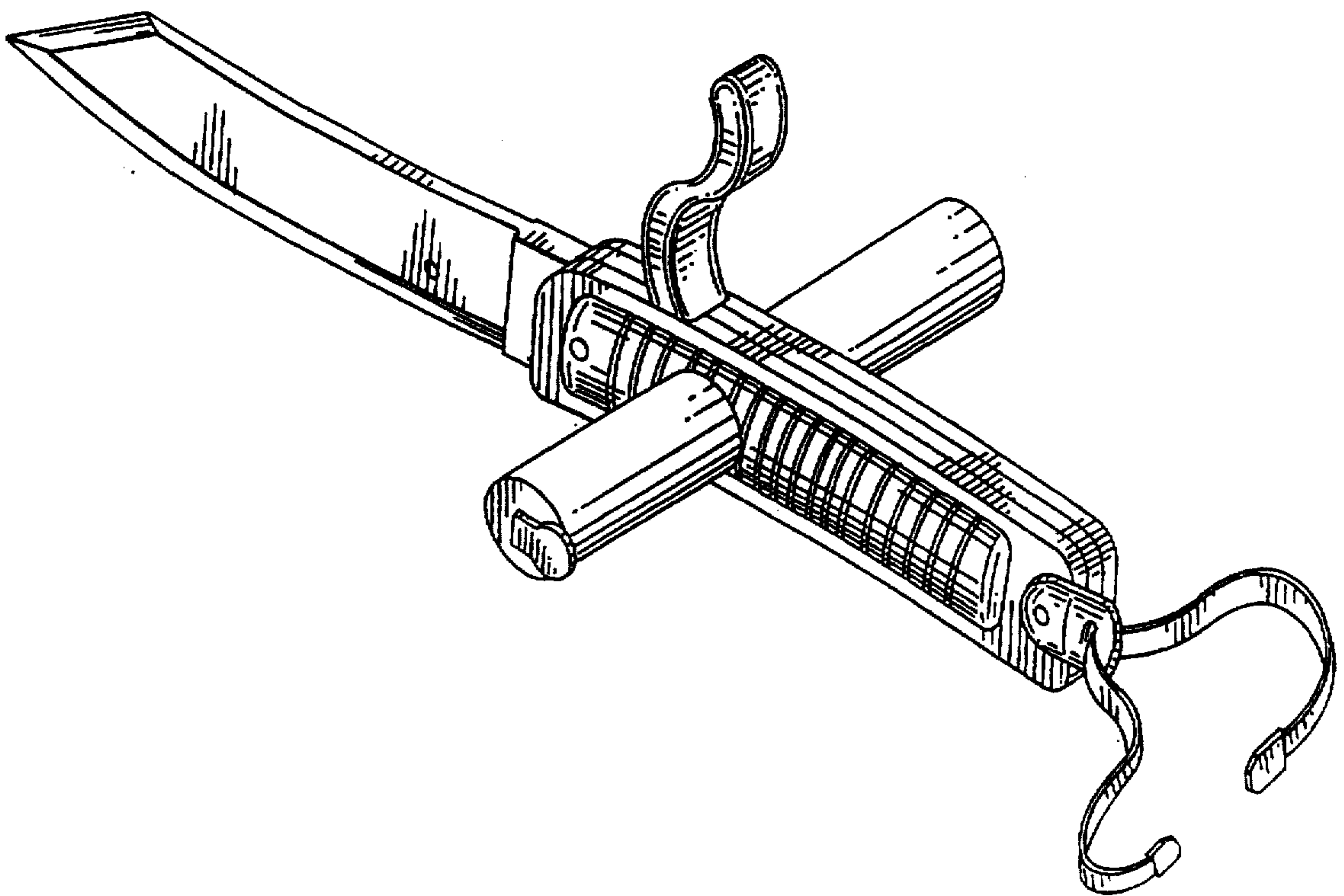


FIG. 1



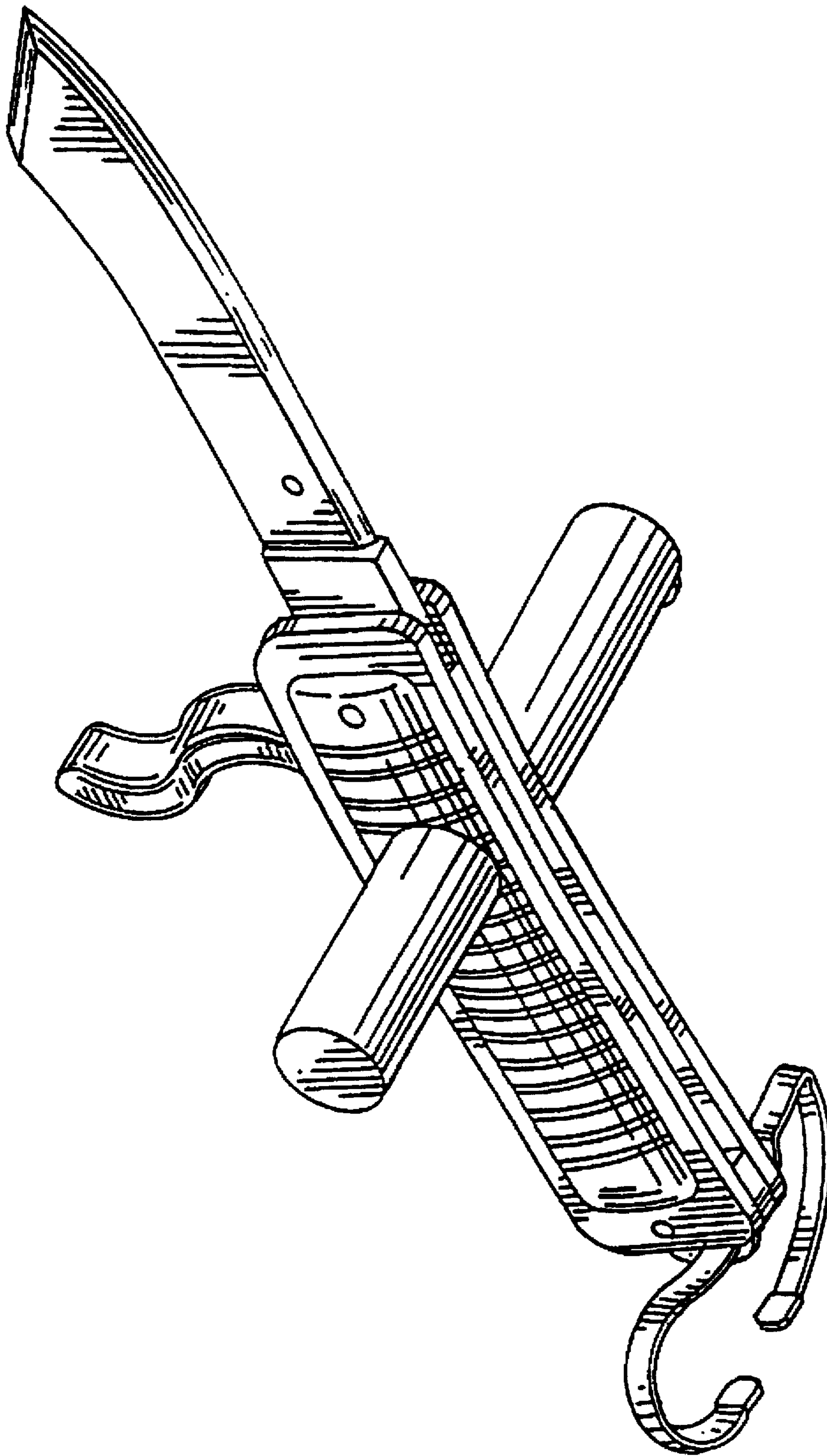


FIG. 2

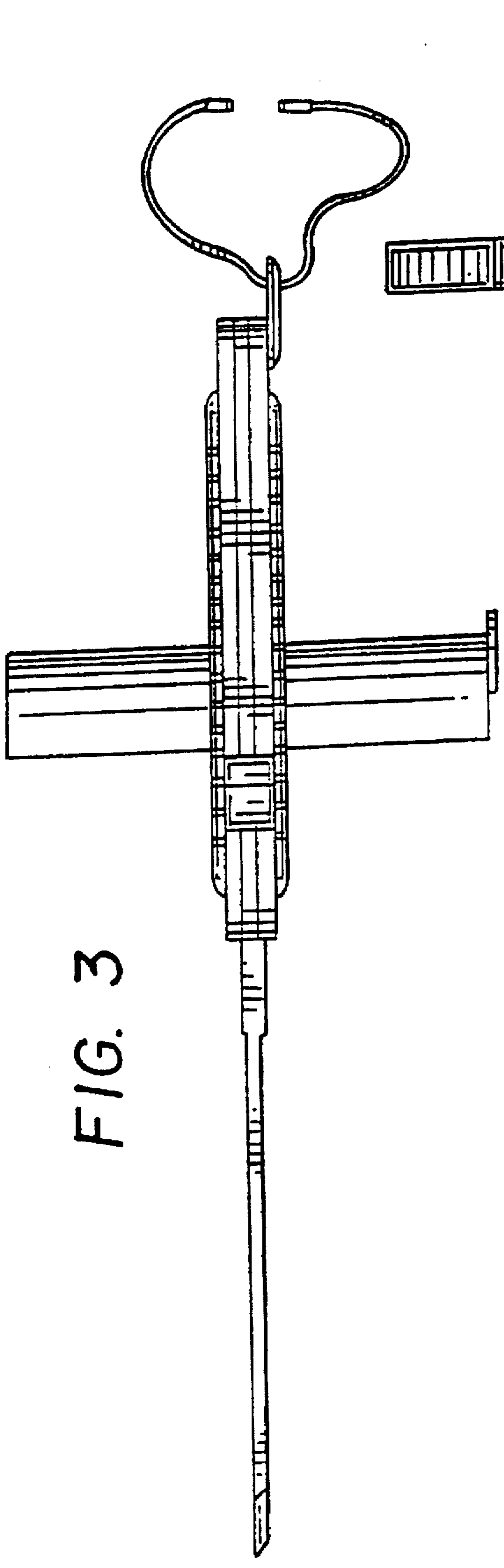


FIG. 3

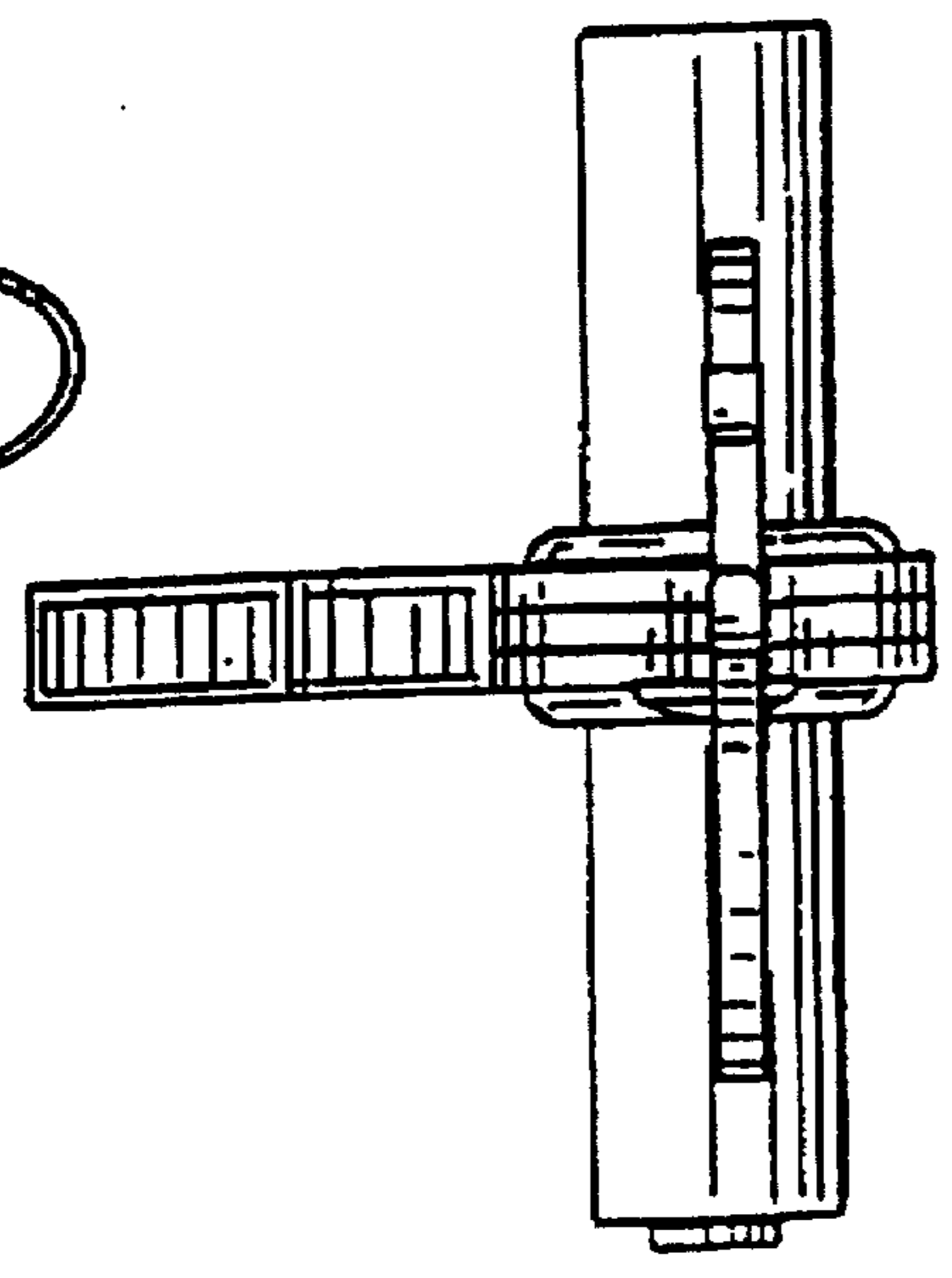


FIG. 5

FIG. 4

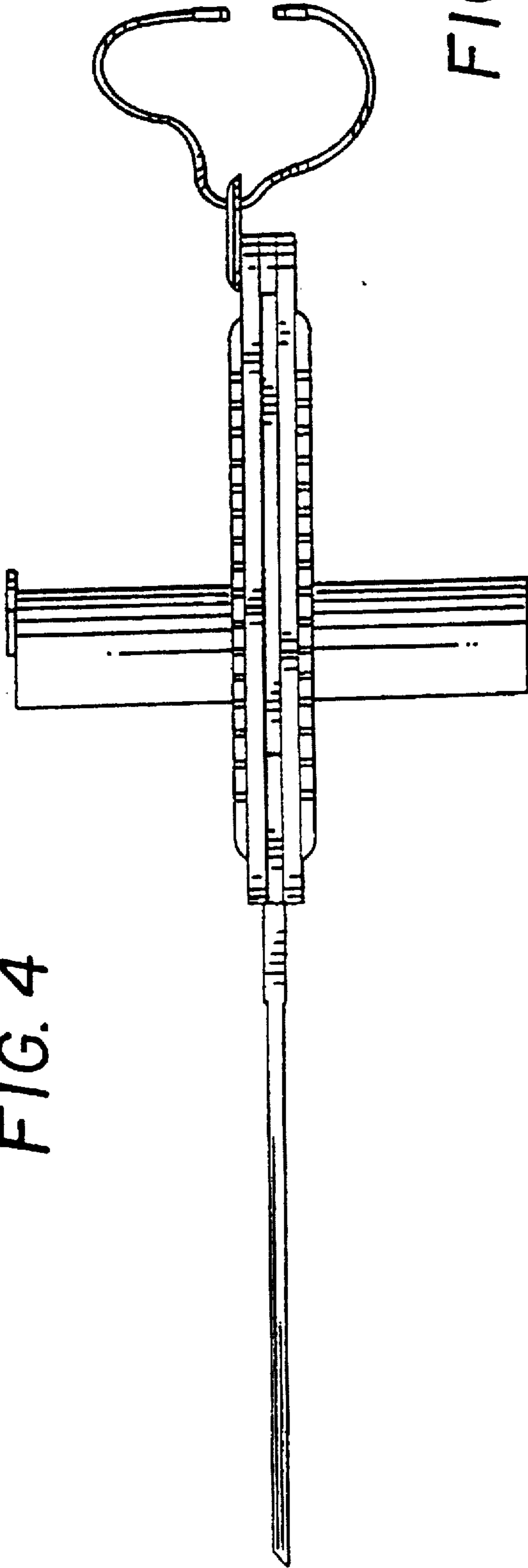


FIG. 6

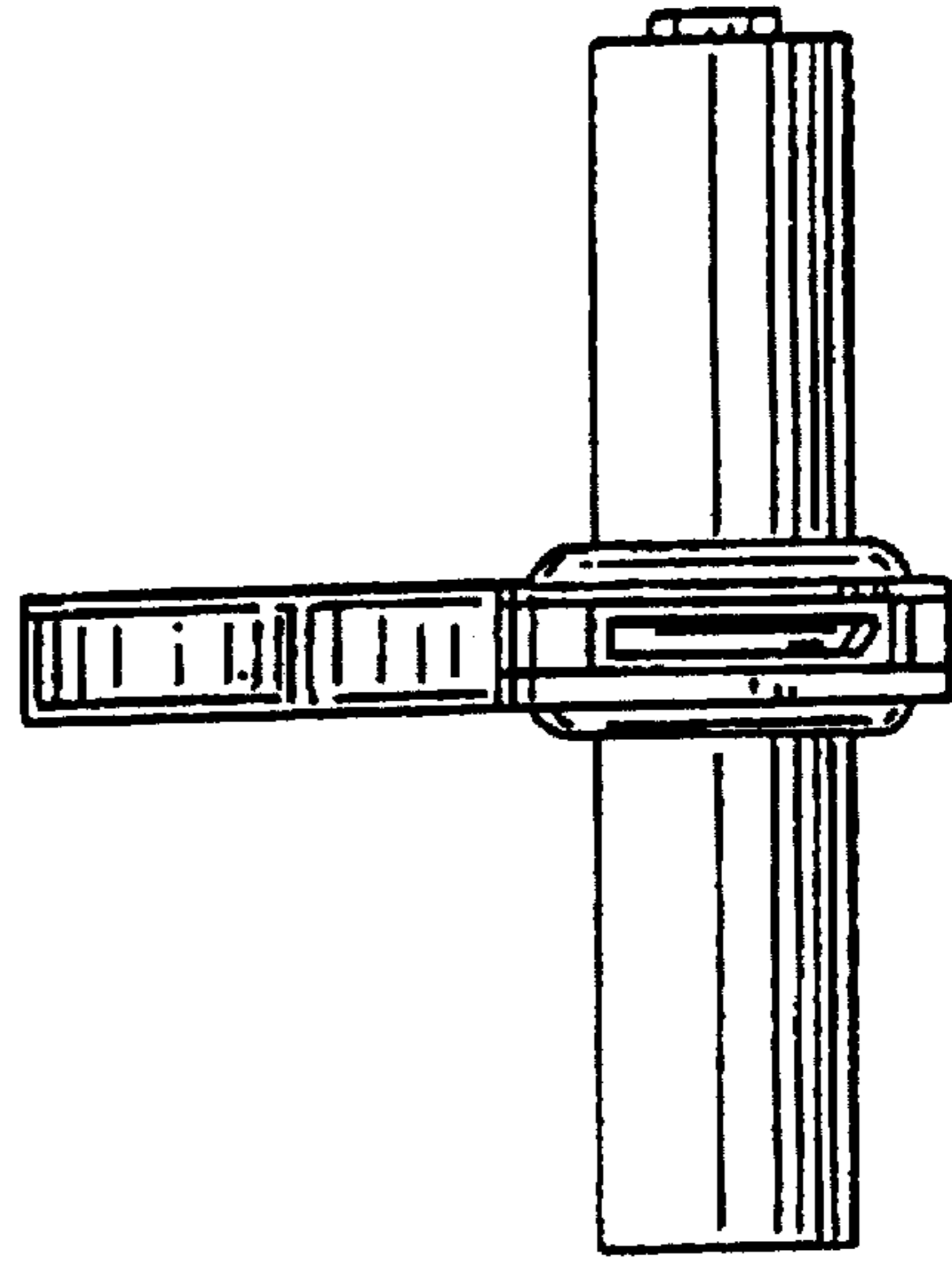
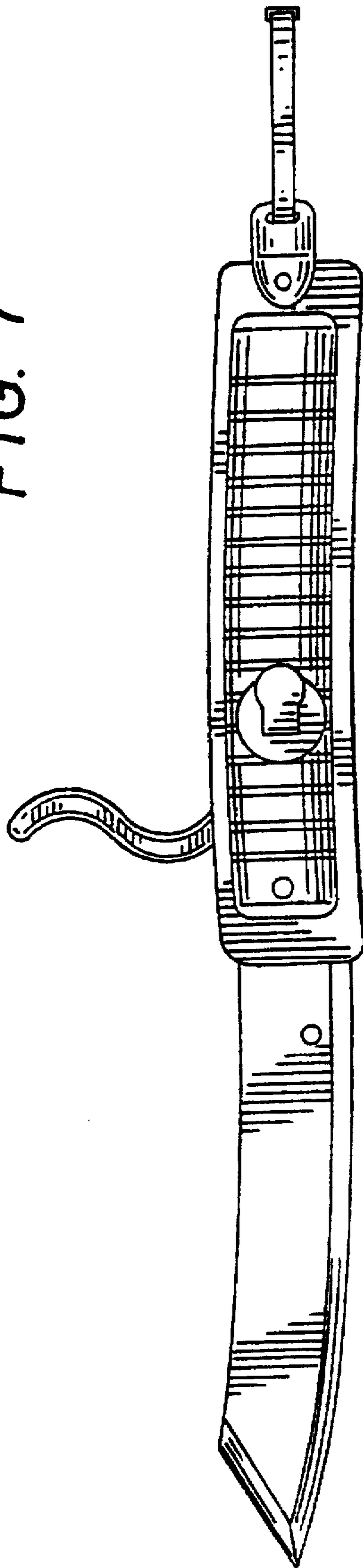


FIG. 7



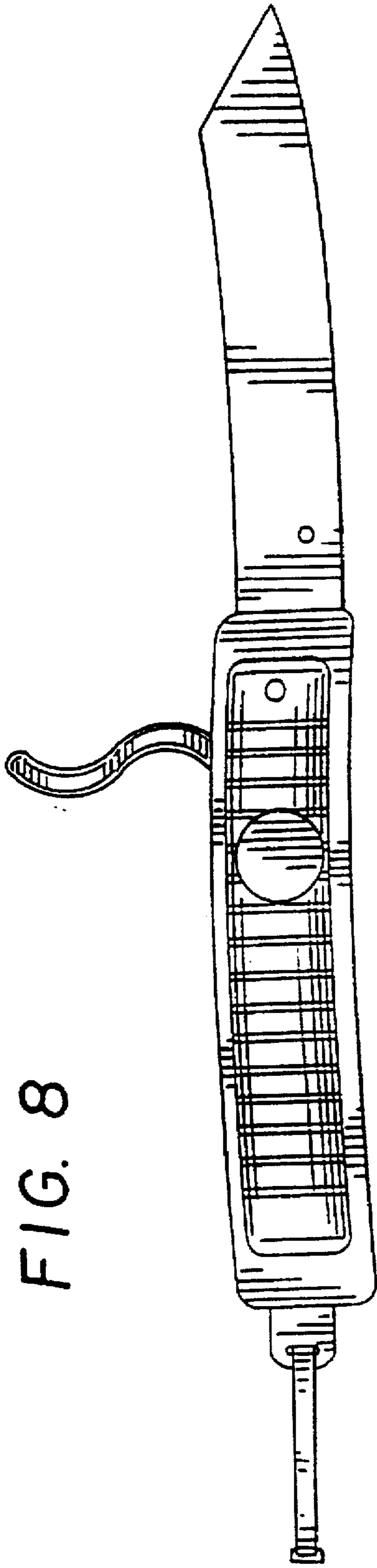


FIG. 8

FIG. 17

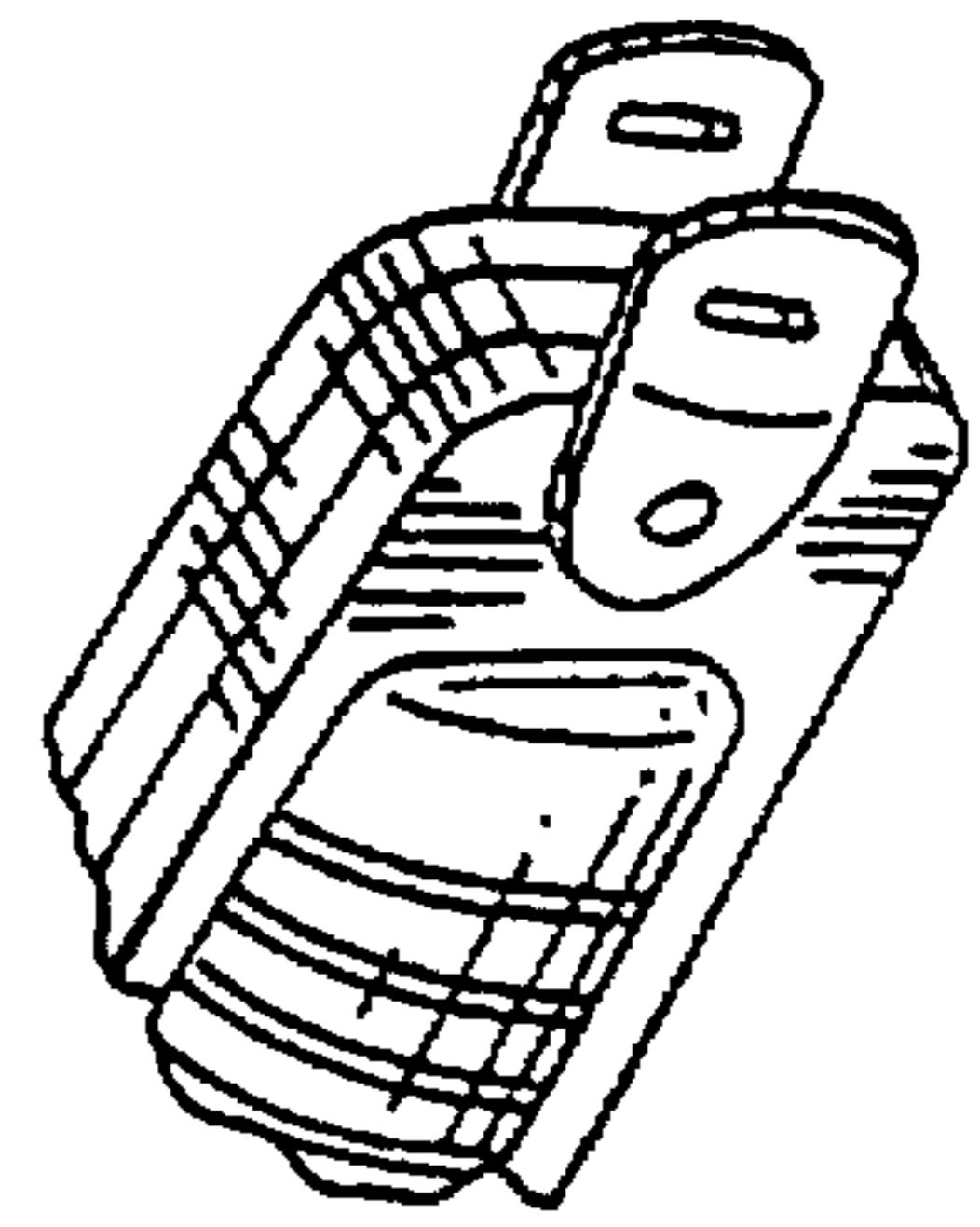


FIG. 9

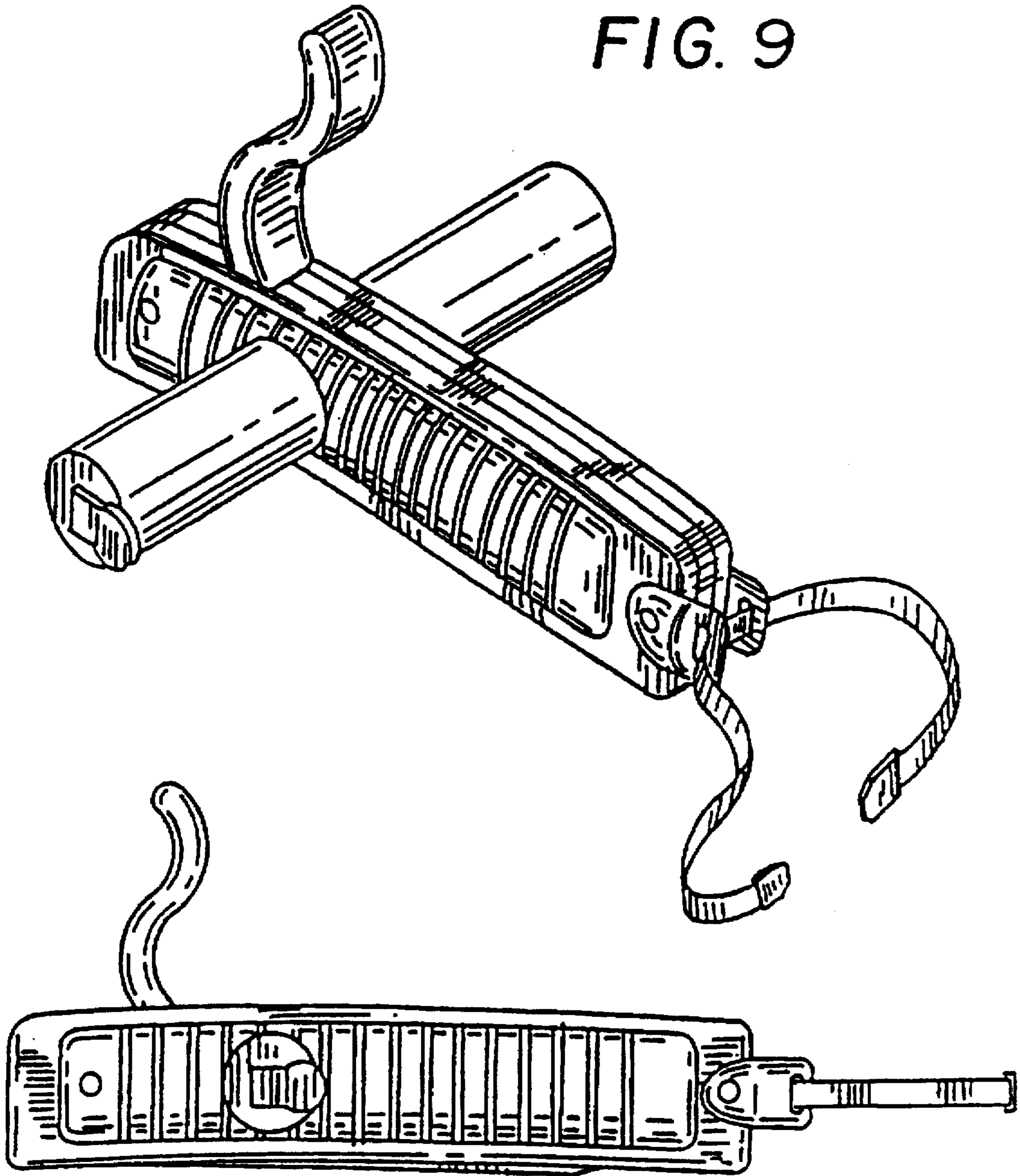
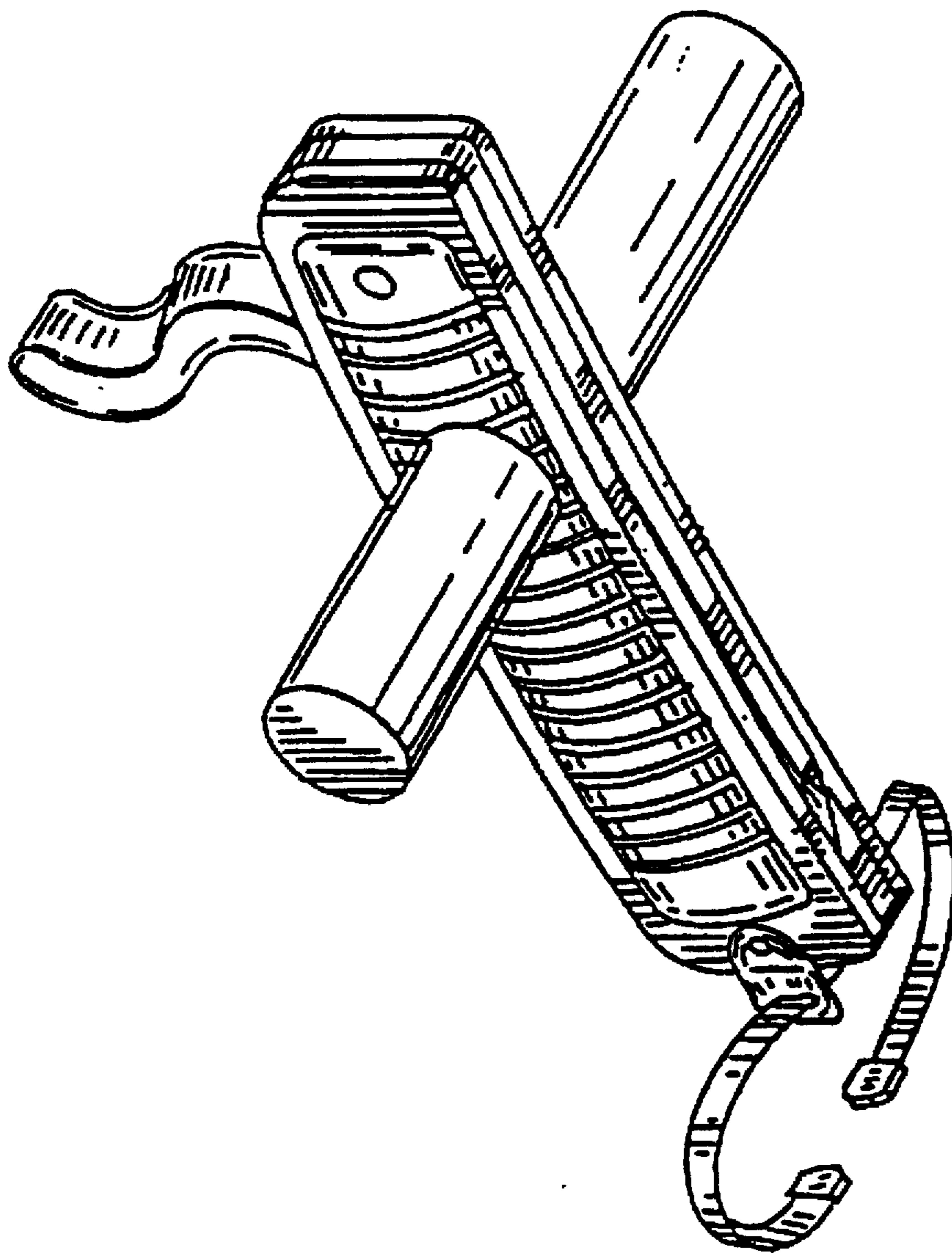


FIG. 15

FIG. 10



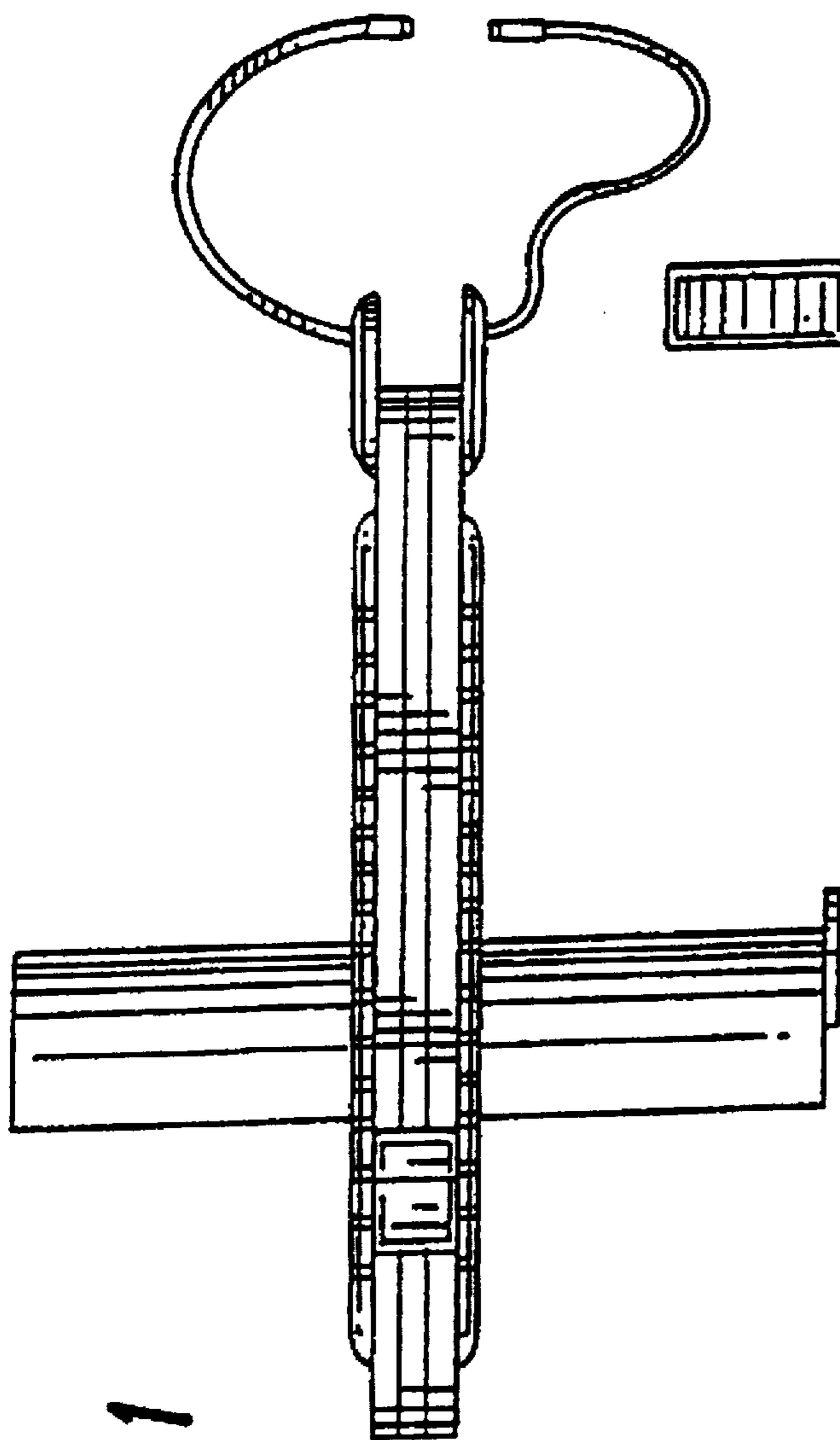


FIG. 11

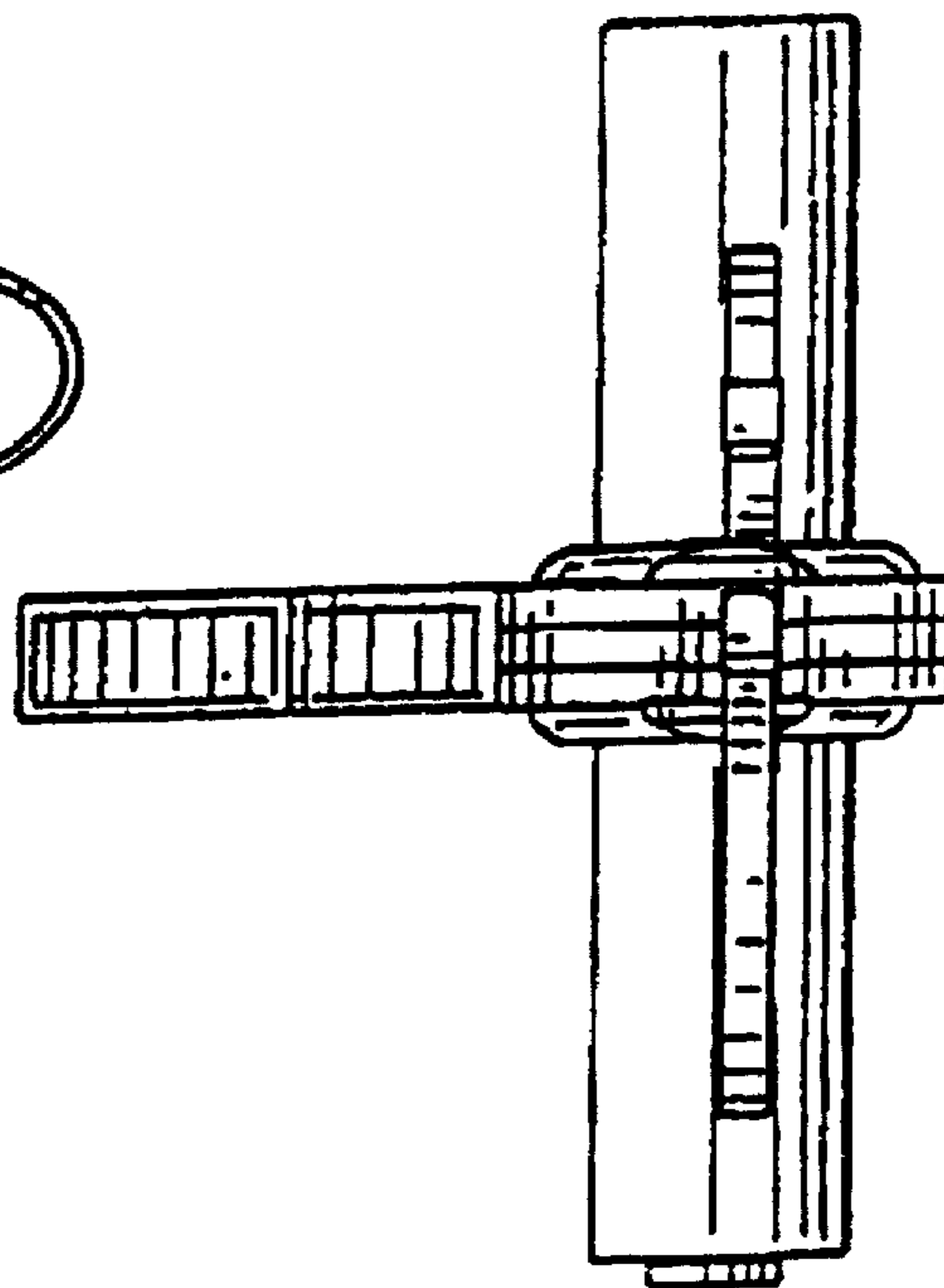


FIG. 14

FIG. 12

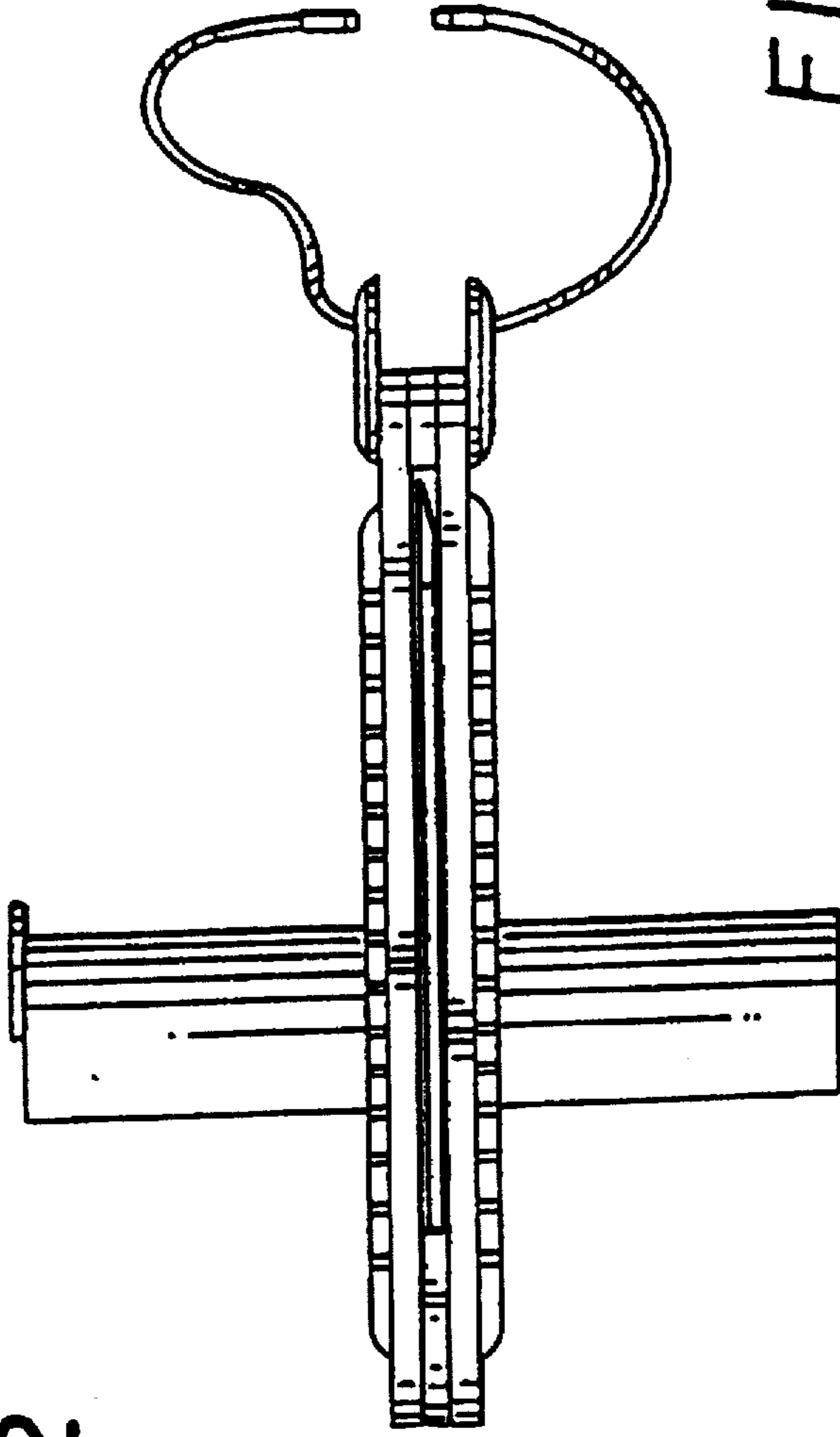
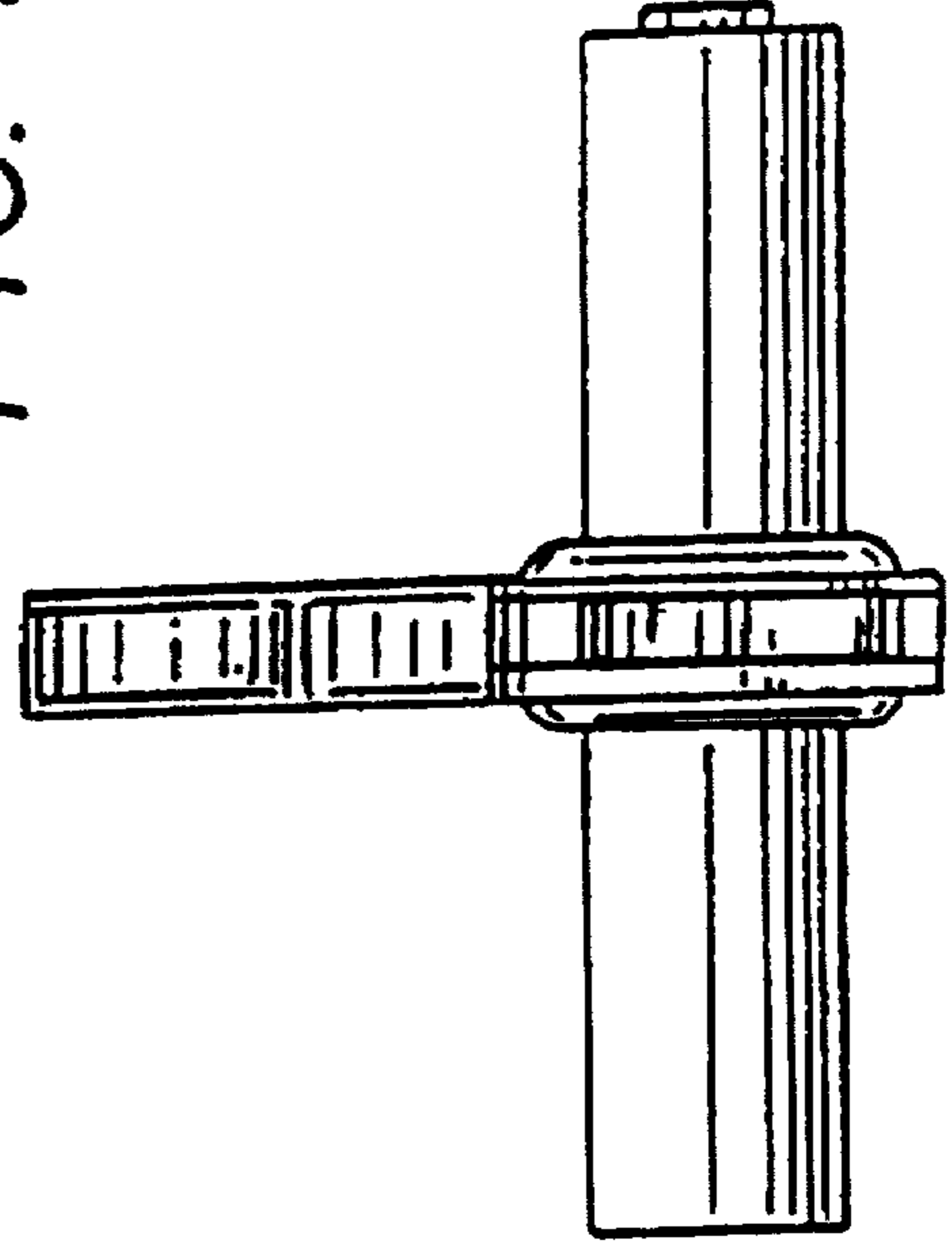


FIG. 13



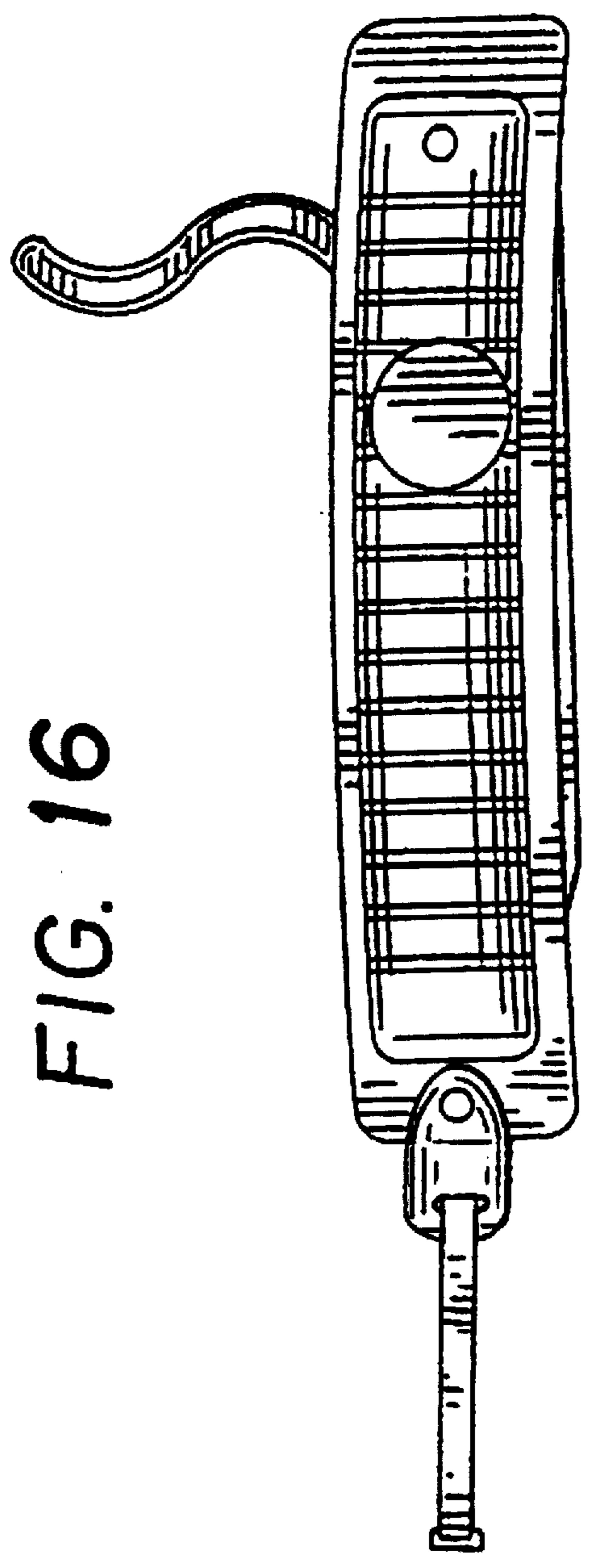


FIG. 16