



US00D389712S

**United States Patent** [19]  
**Usbeck**

[11] **Patent Number: Des. 389,712**  
[45] **Date of Patent: \*\*Jan. 27, 1998**

[54] **CORKSCREW**

D. 335,072 4/1993 Gourhant ..... D8/42  
D. 366,198 1/1996 Laib ..... D8/42

[75] **Inventor: Friedrich Wilhelm Usbeck, Marburg, Germany**

*Primary Examiner*—Caron D. Veynar  
*Attorney, Agent, or Firm*—Lowe, Price, LeBlanc & Becker

[73] **Assignee: Monopolwerk Usbeck & Sohne GmbH & Co., Marburg/Lahn, Germany**

[57] **CLAIM**

[\*\*] **Term: 14 Years**

The ornamental design for a corkscrew, as shown and described.

[21] **Appl. No.: 66,092**

**DESCRIPTION**

[22] **Filed: Feb. 12, 1997**

FIG. 1 is a perspective view of a corkscrew in accordance with the invention design;

[51] **LOC (6) Cl. .... 07-06**

FIG. 2 is a front elevation view thereof;

[52] **U.S. Cl. .... D8/42; D8/40**

FIG. 3 is a top view thereof;

[58] **Field of Search .... D8/18, 19, 33-43; 7/151-156; 30/400-404, 448**

FIG. 4 is a side elevation view thereof; the opposite side view being a mirror image thereof; and,

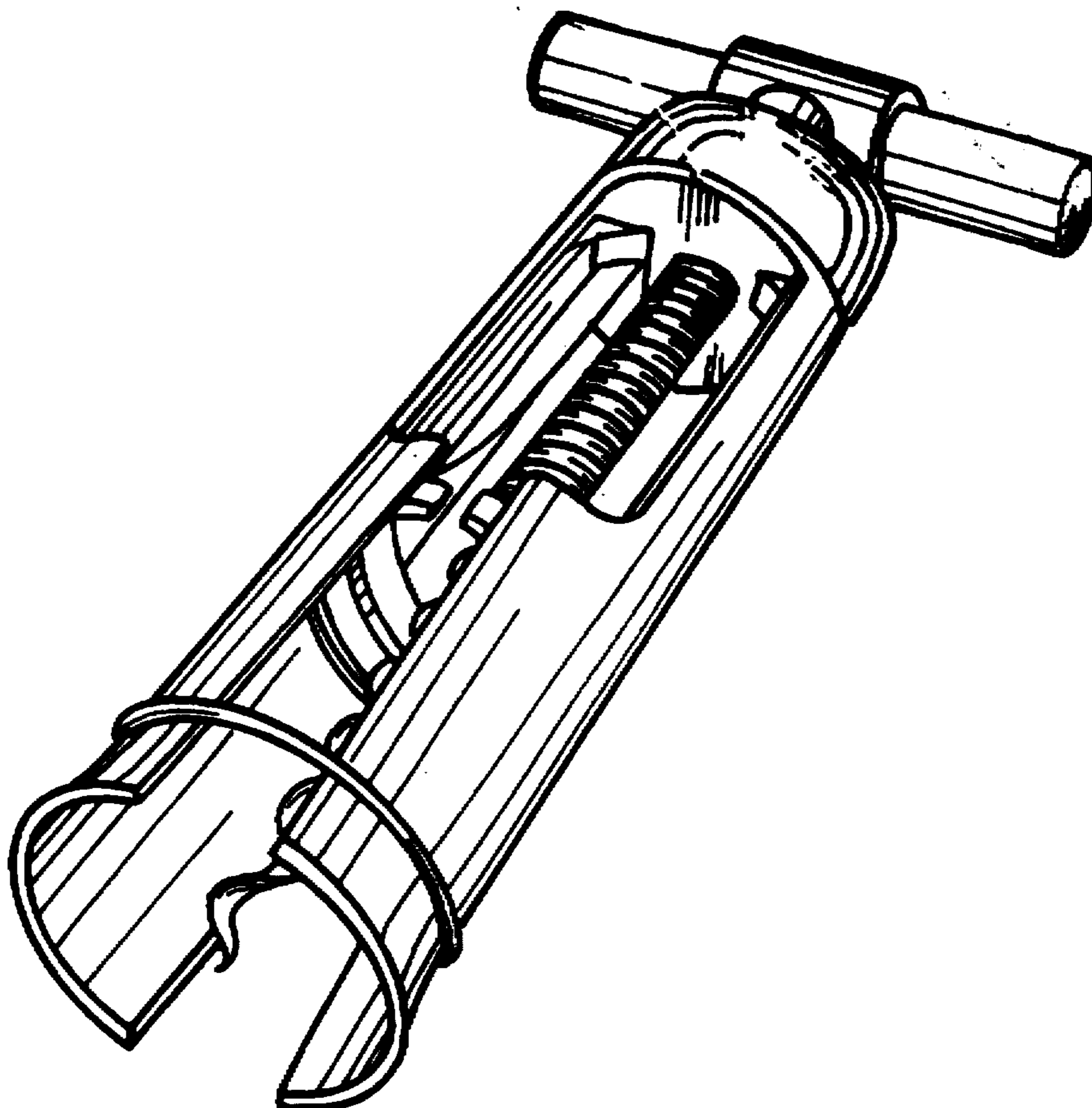
FIG. 5 is a bottom view thereof.

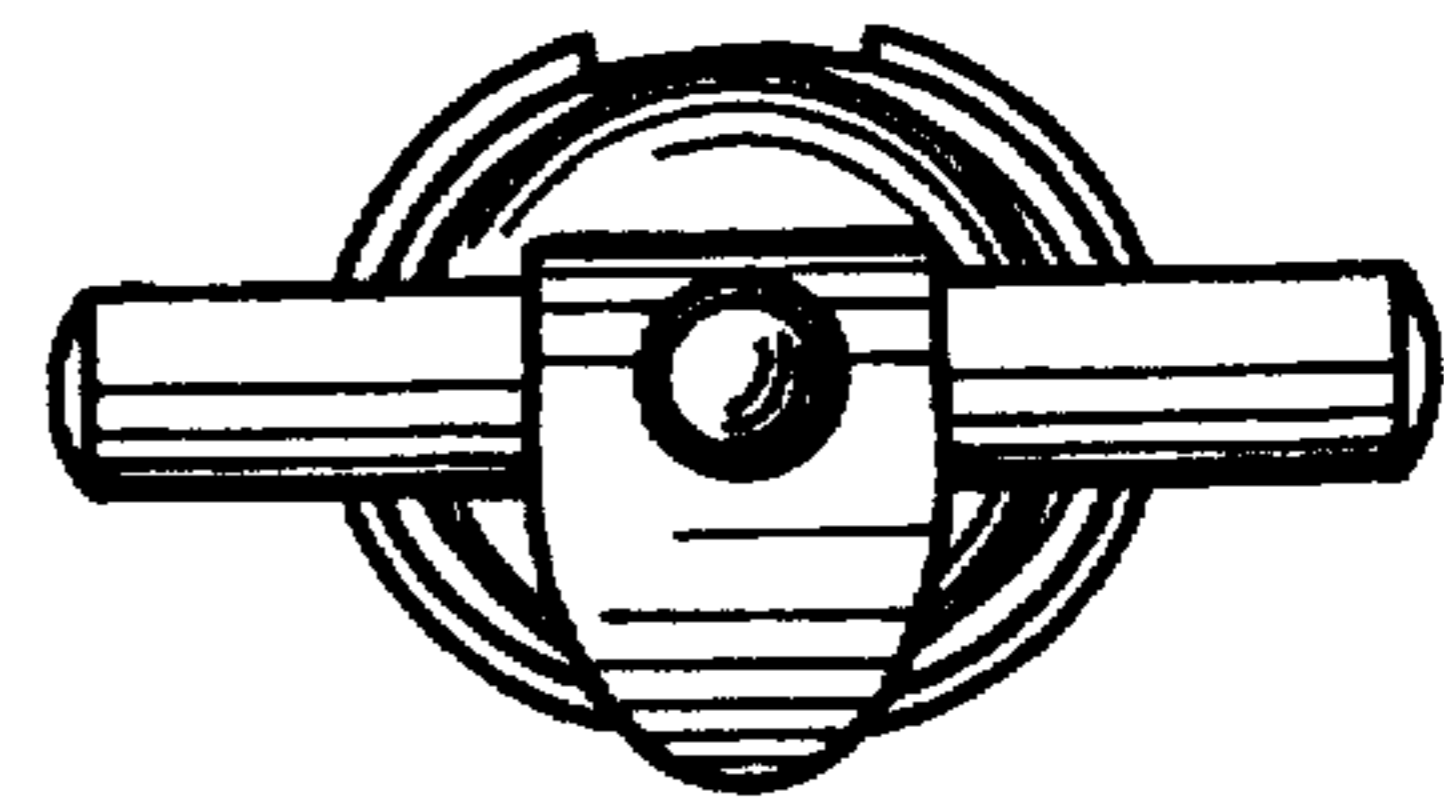
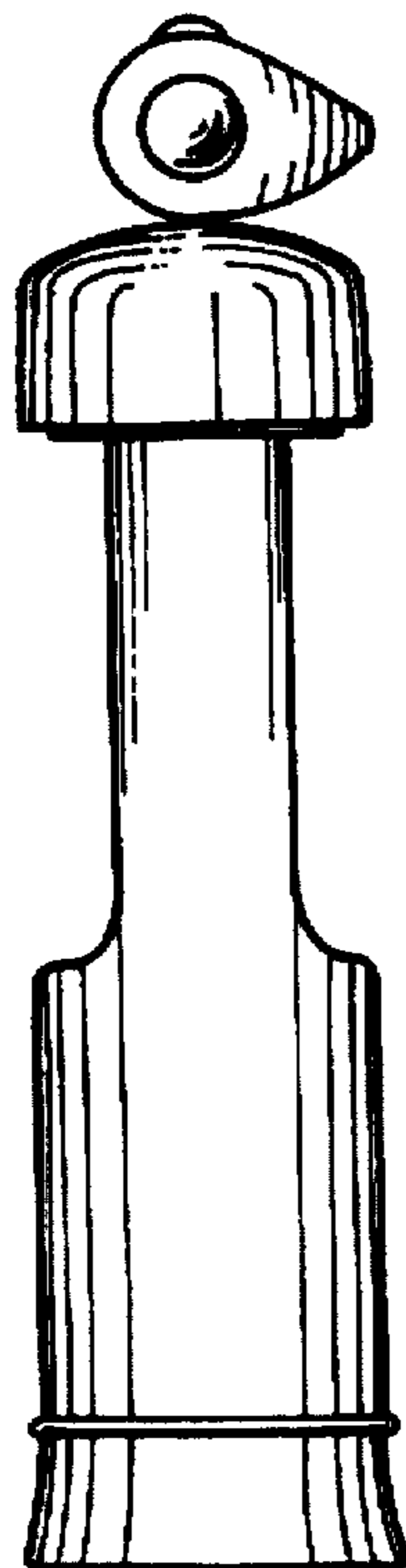
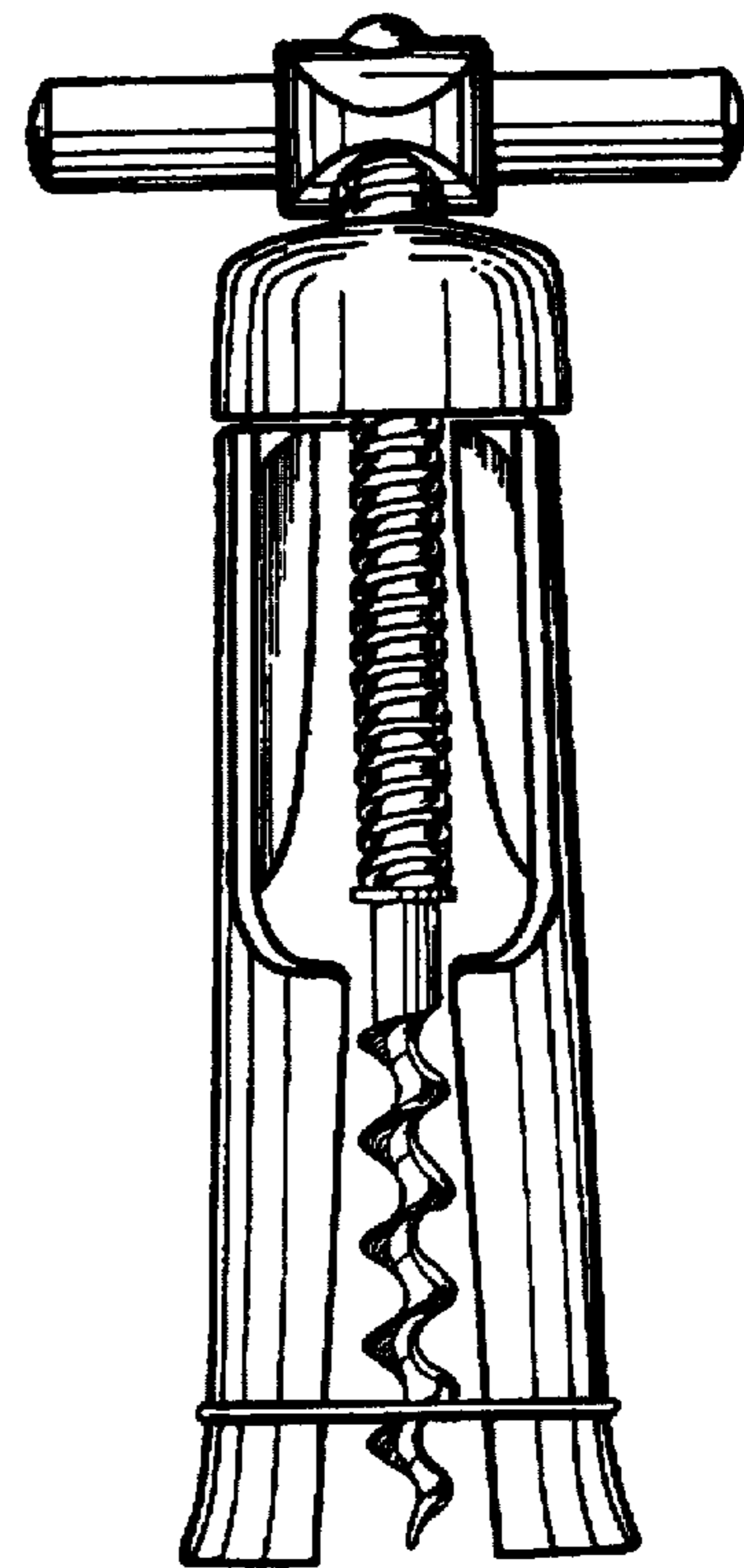
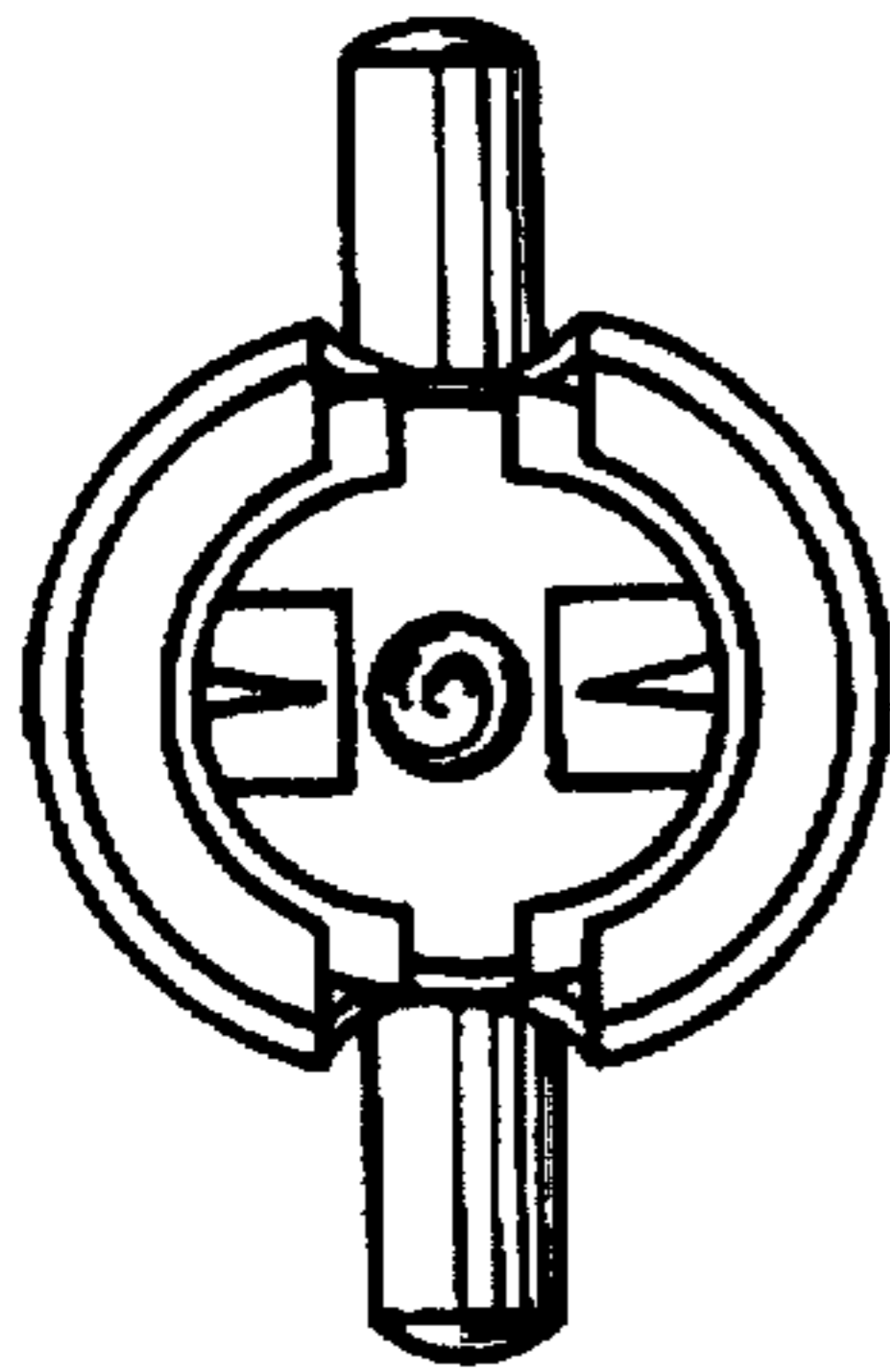
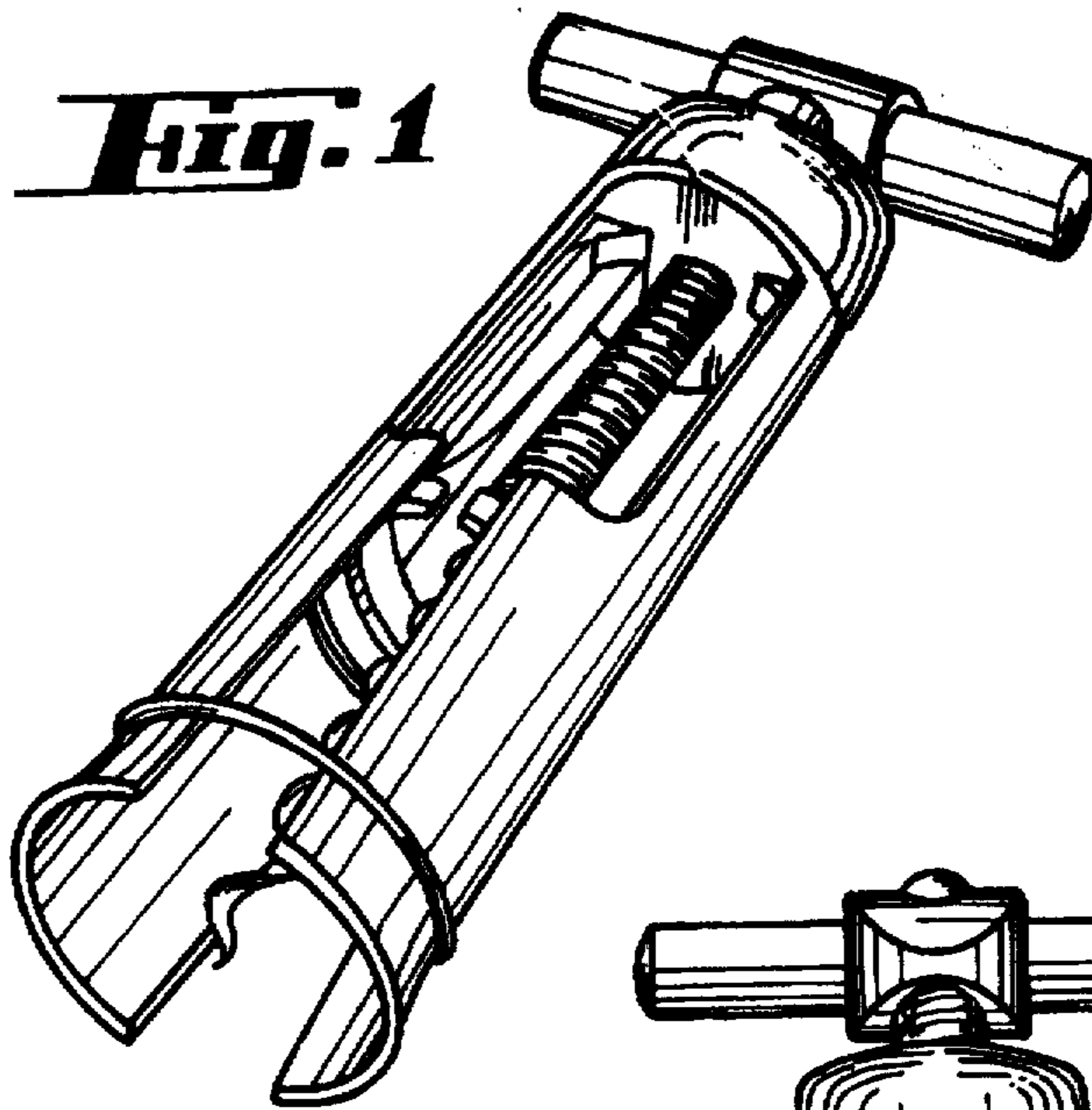
[56] **References Cited**

**U.S. PATENT DOCUMENTS**

D. 281,855 12/1985 Kuhn ..... D8/42

**1 Claim, 1 Drawing Sheet**





**Fig. 4**

**Fig. 3**