



US00D389707S

# United States Patent [19]

Ohi et al.

[11] Patent Number: **Des. 389,707**

[45] Date of Patent: **\*\*Jan. 27, 1998**

[54] **HEDGE TRIMMER ATTACHMENT**

[75] Inventors: **Taku Ohi**, Chandler; **Kenneth M. Brazell**, Phoenix; **Naoki Kikuchi**, Chandler, all of Ariz.

[73] Assignee: **Ryobi North America**, Easley, S.C.

[\*\*] Term: **14 Years**

[21] Appl. No.: **57,516**

[22] Filed: **Jul. 26, 1996**

[51] LOC (6) Cl. .... **08-01**

[52] U.S. Cl. .... **D8/8**

[58] Field of Search ..... **D8/8; 30/276; 56/12.7**

[56] **References Cited**

**U.S. PATENT DOCUMENTS**

- D. 325,856 5/1992 Gierke ..... D8/8
- D. 333,953 3/1993 Miyoshi et al. .... D8/8

- D. 356,013 3/1995 Kiyooka et al. .... D8/8
- D. 364,541 11/1995 McJunkin et al. .... D8/8
- 5,031,395 7/1991 Ohkanda et al. .

*Primary Examiner*—Holly Baynham  
*Attorney, Agent, or Firm*—Brooks & Kushman P.C.

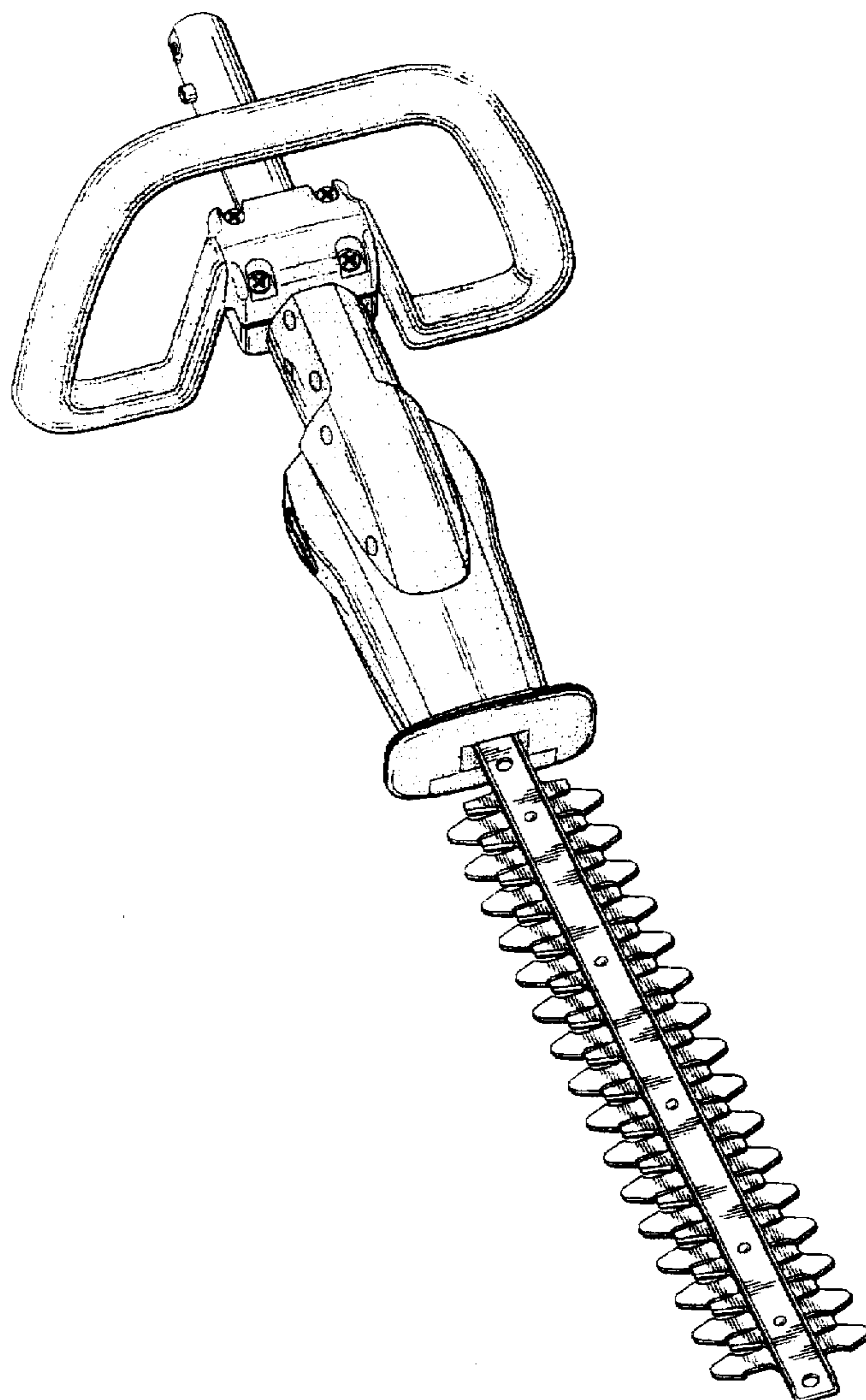
[57] **CLAIM**

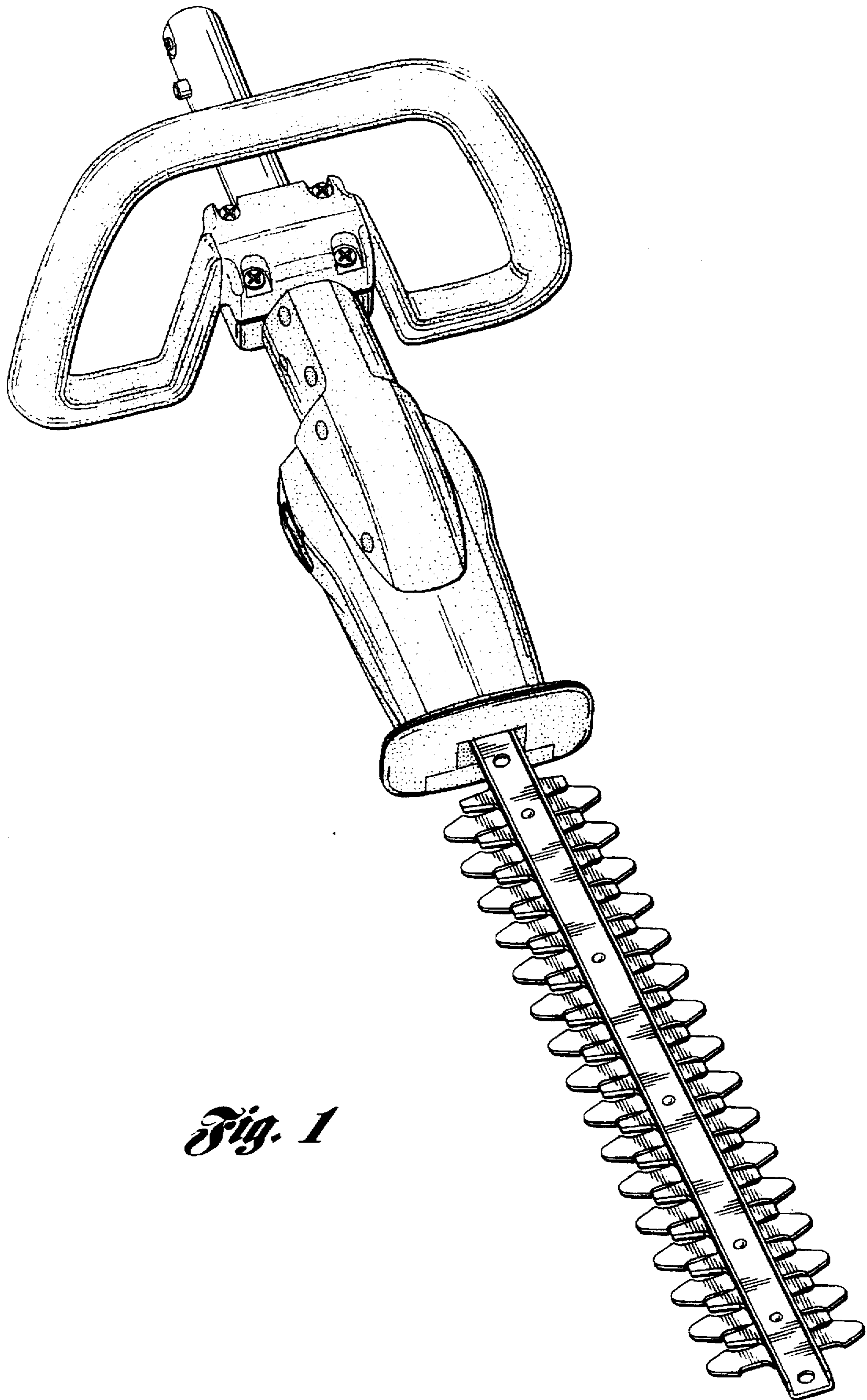
The ornamental design for an hedge trimmer attachment, as shown and described.

**DESCRIPTION**

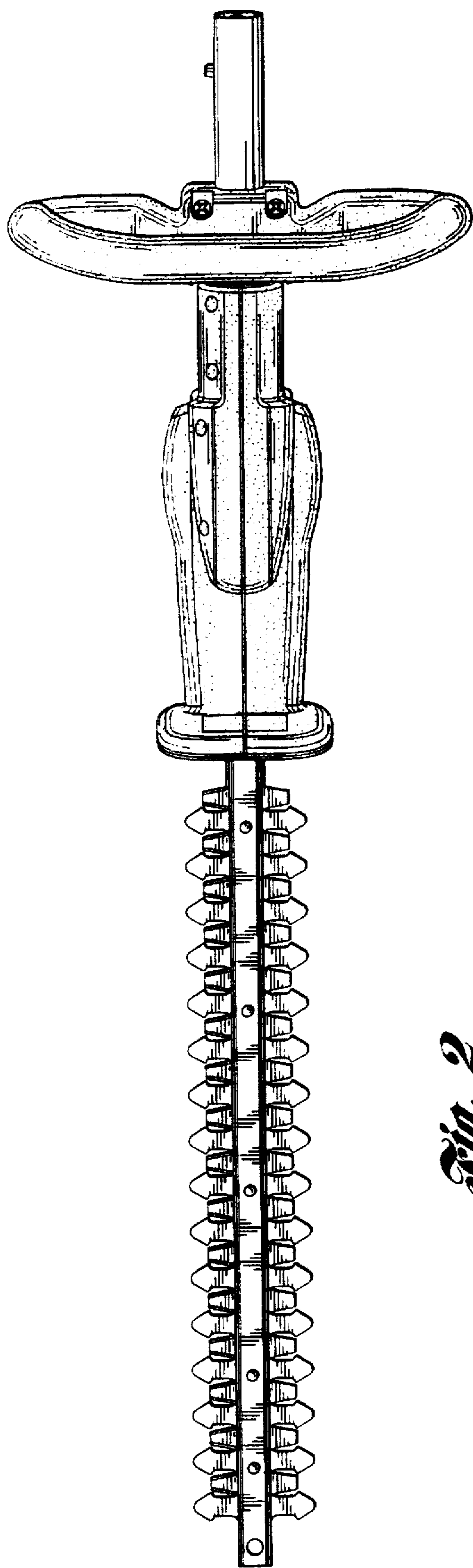
FIG. 1 is a perspective view of the hedge trimmer attachment;  
 FIG. 2 is a top view;  
 FIG. 3 is a left side view;  
 FIG. 4 is a right side view;  
 FIG. 5 is a rear view;  
 FIG. 6 is a front plan view; and,  
 FIG. 7 is a bottom plan view.

**1 Claim, 4 Drawing Sheets**

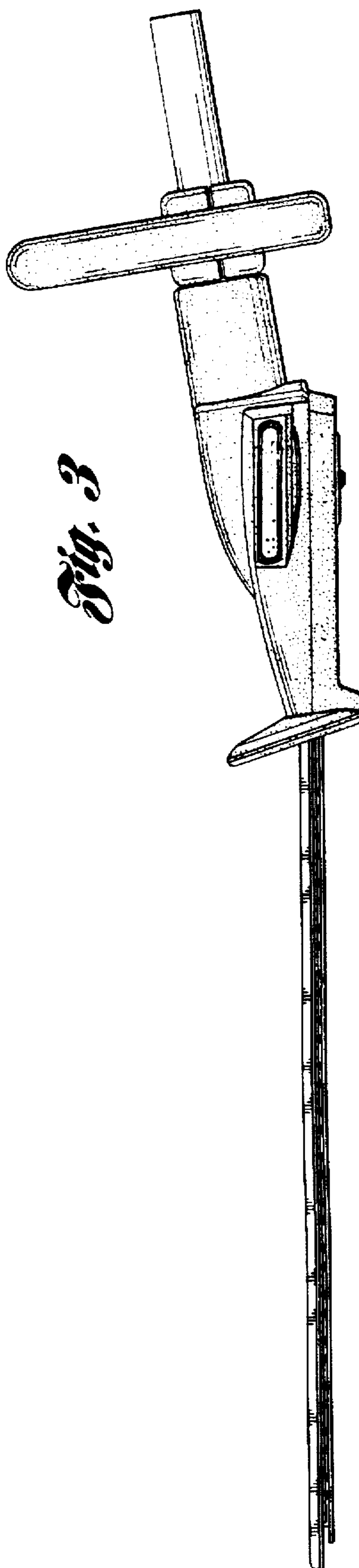




*Fig. 1*



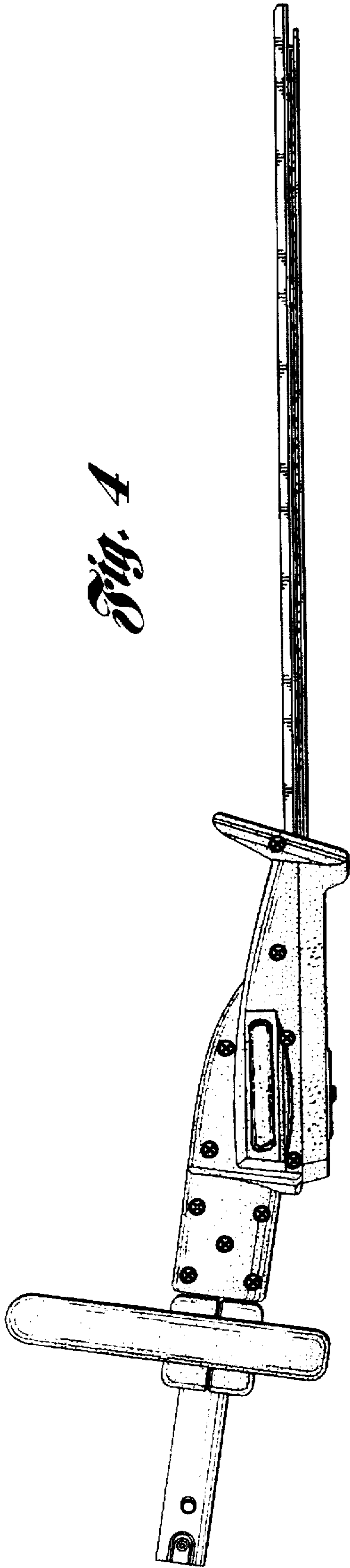
*Fig. 2*



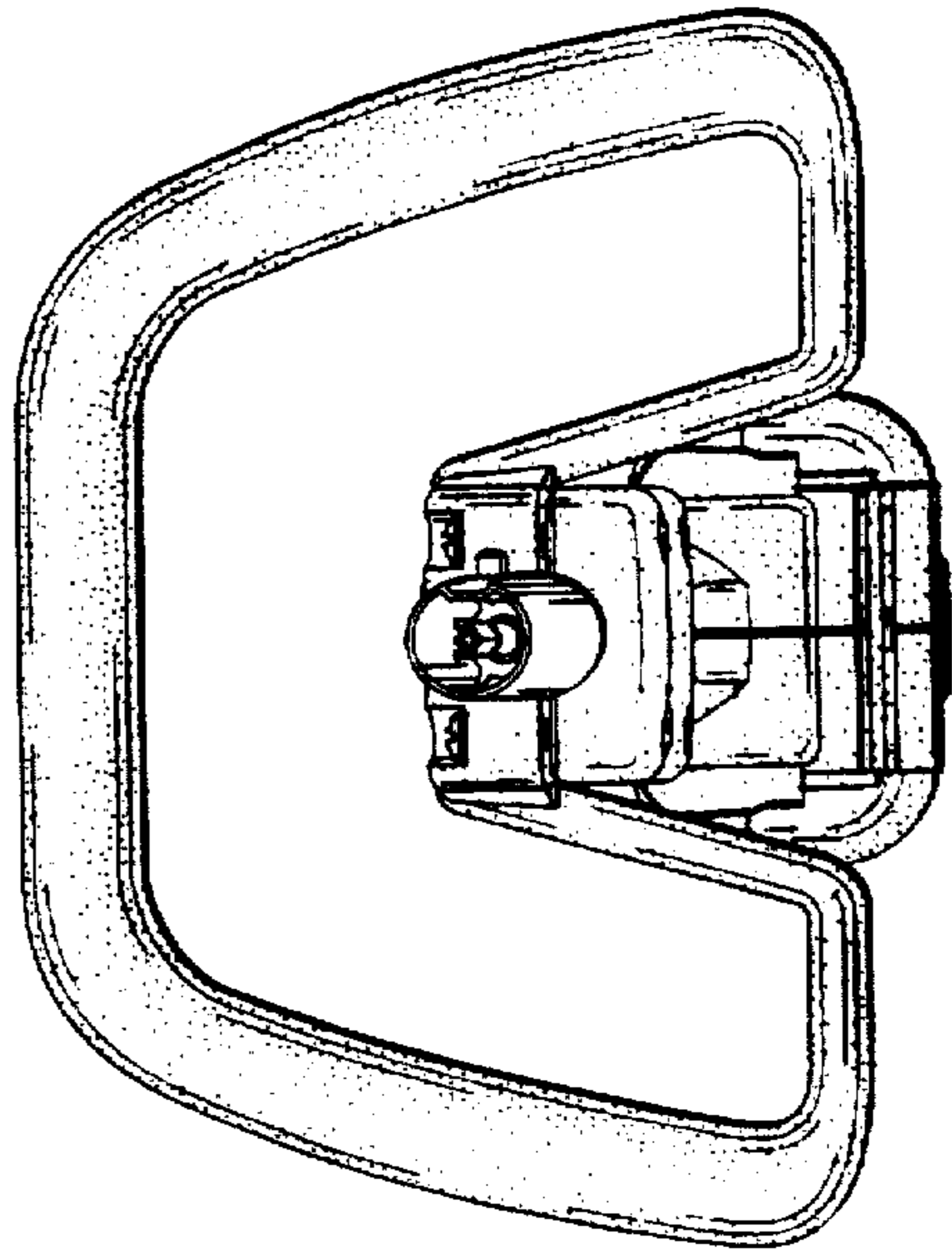
*Fig. 3*

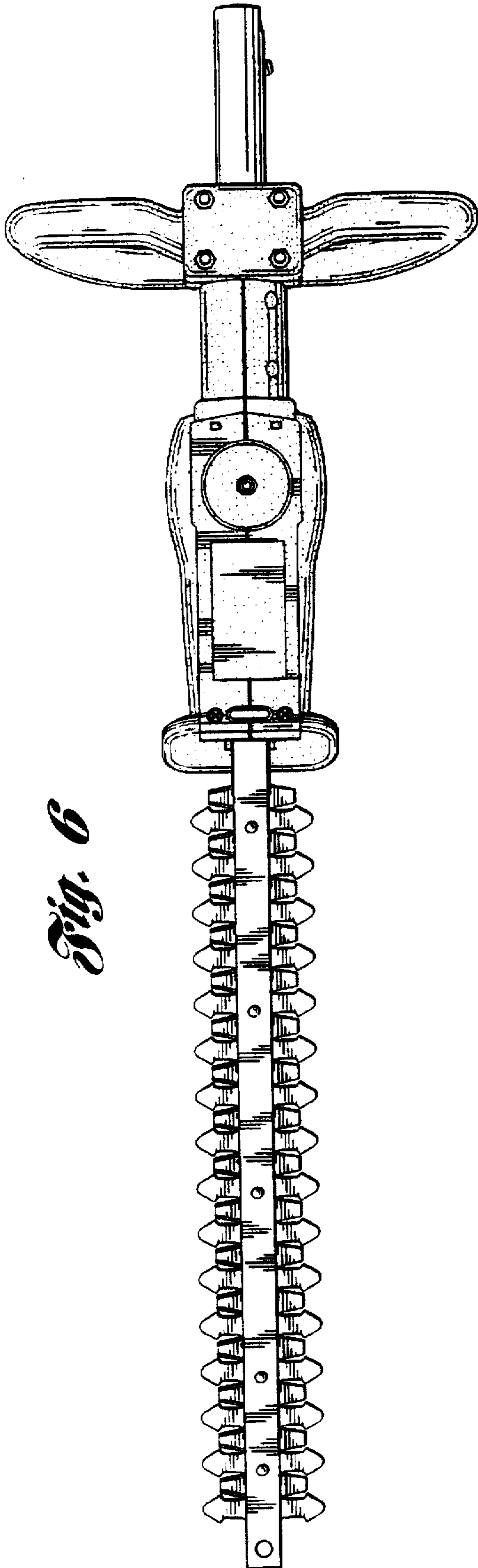


*Fig. 4*

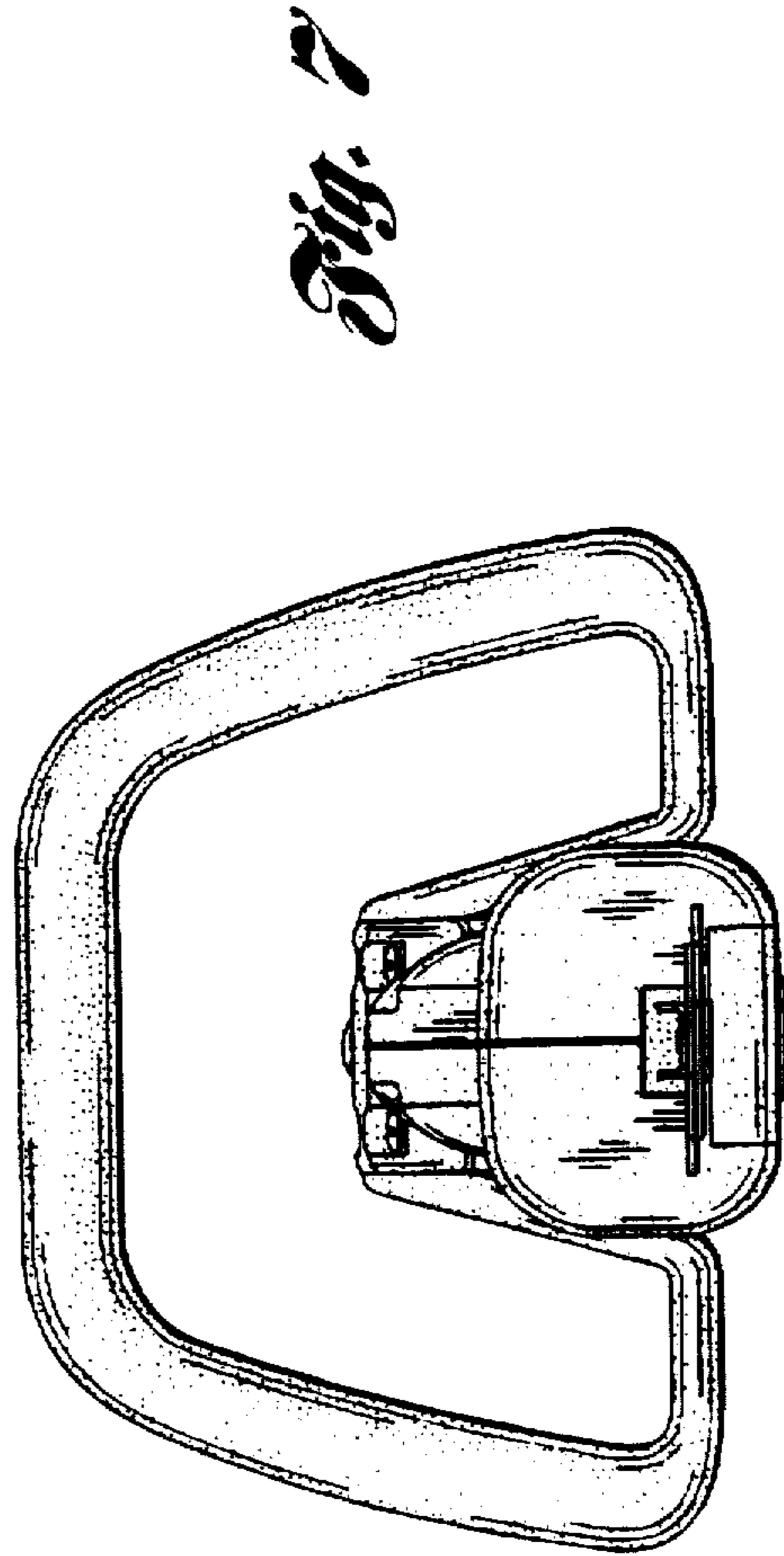


*Fig. 5*





*Fig. 6*



*Fig. 7*