

US00D389705S

United States Patent [19]

Puett

[11] Patent Number: **Des. 389,705**

[45] Date of Patent: ****Jan. 27, 1998**

[54] GROUND ENGAGING FERTILIZER DELIVERY TUBE

[76] Inventor: **Shawn J. Puett**, 4040 Earney Rd., Woodstock, Ga. 30188

[**] Term: **14 Years**

[21] Appl. No.: **60,064**

[22] Filed: **Sep. 20, 1996**

[51] LOC (6) Cl. **08-01**

[52] U.S. Cl. **D8/1**

[58] Field of Search **D8/1; 47/47 R; 248/156, 87; 239/276; 52/102**

- 4,393,622 7/1983 Gallo, Sr. .
- 4,745,706 5/1988 Muza et al. .
- 4,870,781 10/1989 Jones .
- 4,934,288 6/1990 Kusiak et al. .
- 5,105,578 4/1992 Fleuridas et al. .

OTHER PUBLICATIONS

A.M. Leonard, Inc, Fertijector, p. 17, 1993, Aug. 14, 1997.

Primary Examiner—Doris V. Coles

Assistant Examiner—Catherine R. Oliver

Attorney, Agent, or Firm—Hinkle & Associates, P.C.

[57] CLAIM

The ornamental design for a ground engaging fertilizer delivery tube, as shown and described.

DESCRIPTION

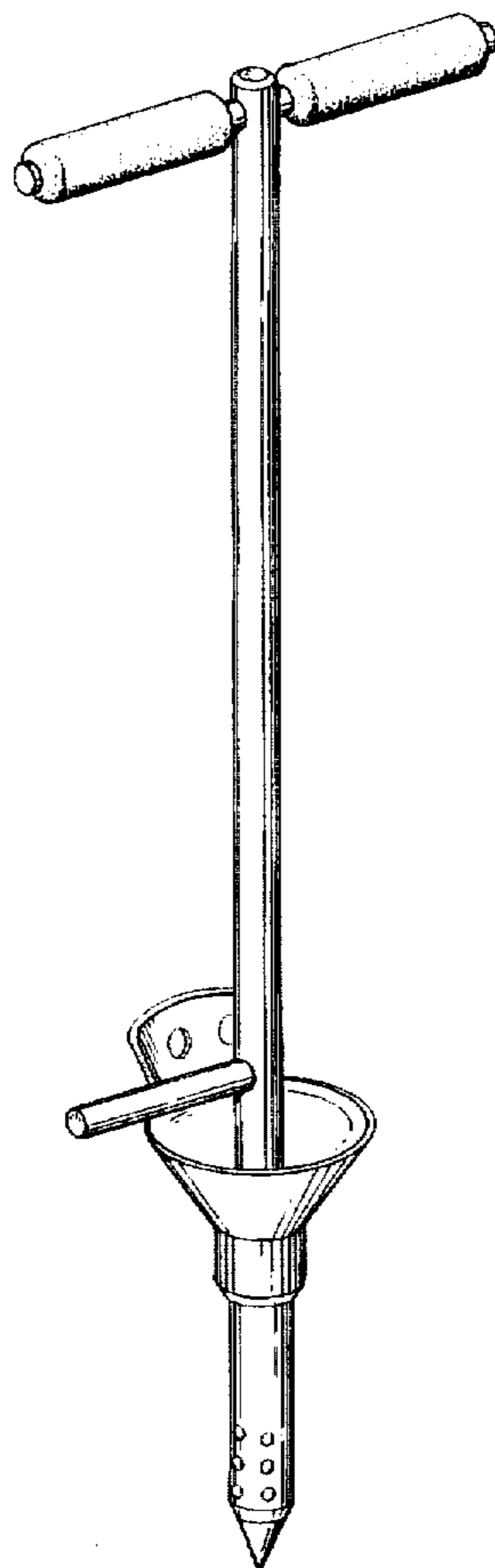
FIG. 1 is a perspective view of a ground engaging fertilizer delivery tube showing my new design; FIG. 2 is a front elevation view thereof; FIG. 3 is a left side elevation view thereof; FIG. 4 is a right side elevation view thereof; FIG. 5 is a top plan view thereof; FIG. 6 is a bottom plan view thereof; and, FIG. 7 is a perspective view thereof, with the upper portion of the tube shown broken away for the convenience of illustration and the lower portion out of engagement.

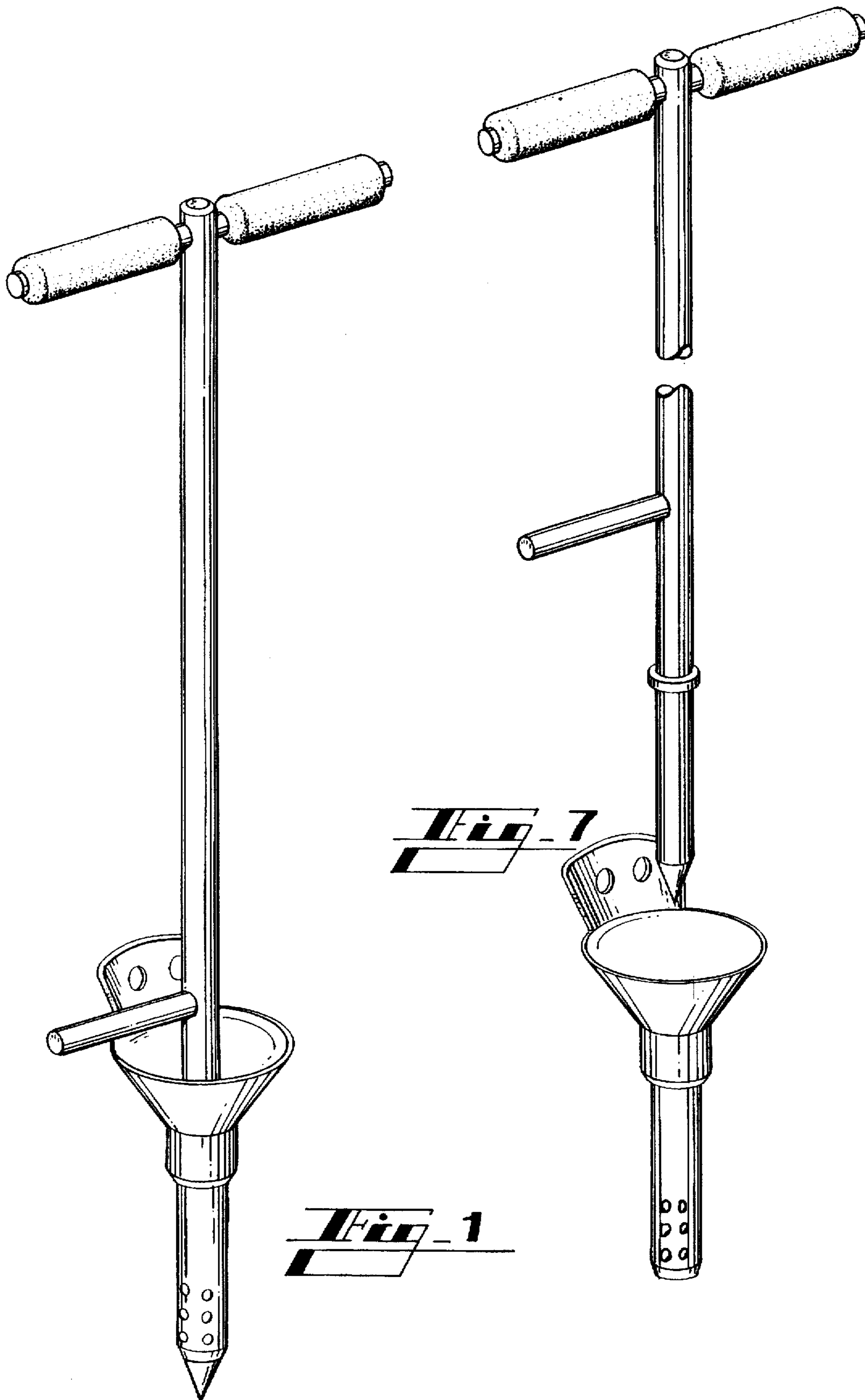
1 Claim, 3 Drawing Sheets

References Cited

U.S. PATENT DOCUMENTS

- D. 304,285 10/1989 Schreiber D8/1
- D. 379,417 5/1997 Vachon D8/1
- 790,910 5/1905 McClintock .
- 1,939,897 12/1933 Hill D8/1 X
- 2,380,721 7/1945 Brigden .
- 2,685,761 8/1954 Schlessner .
- 2,809,468 5/1957 Eliot .
- 3,290,821 12/1966 Parry .
- 3,875,699 4/1975 Lamarre 47/47 X
- 3,916,564 11/1975 Crowell, Sr. .
- 4,095,744 6/1978 Vilelli D8/1 X
- 4,381,623 5/1983 Koistinen .





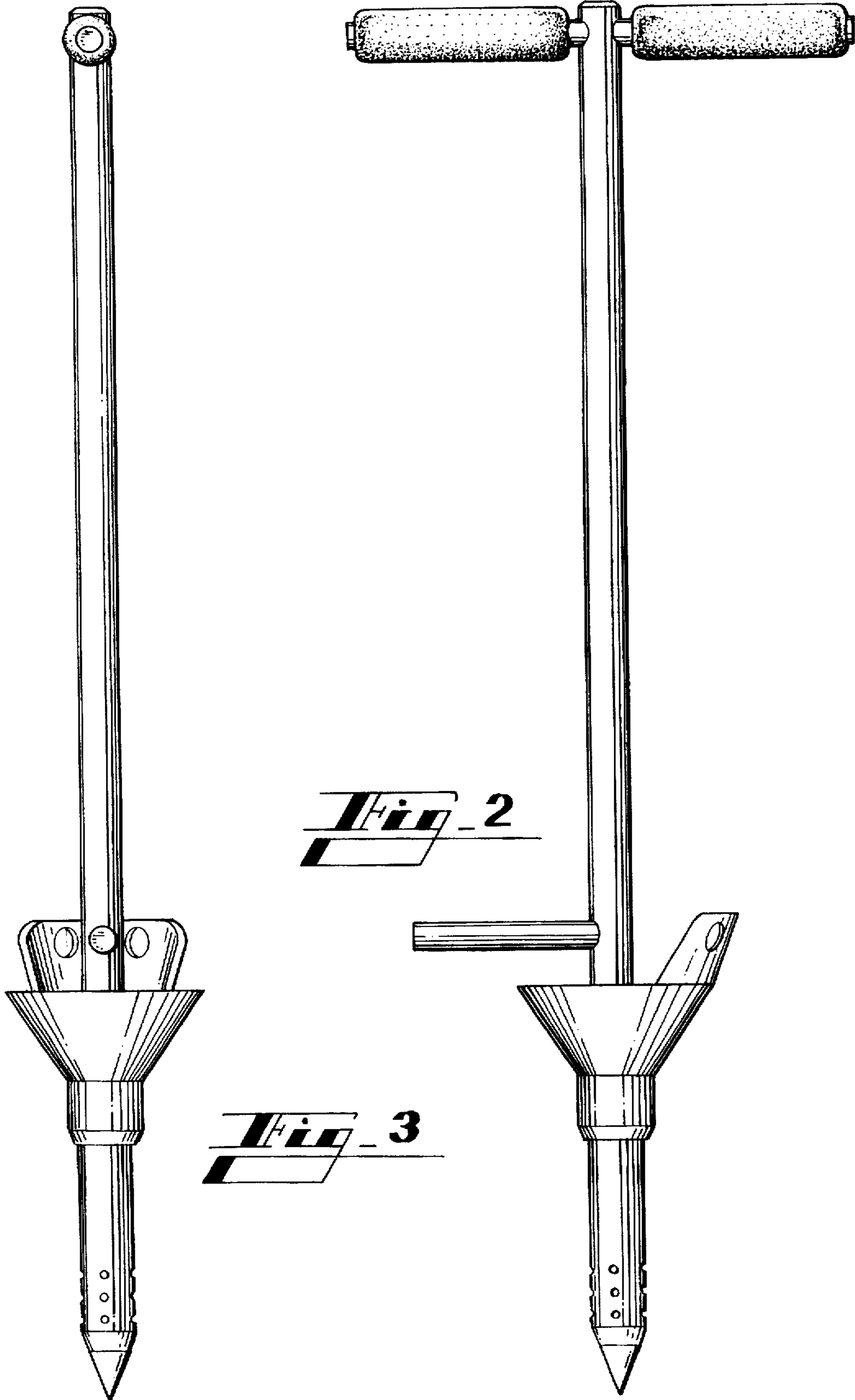


Fig. 2

Fig. 3

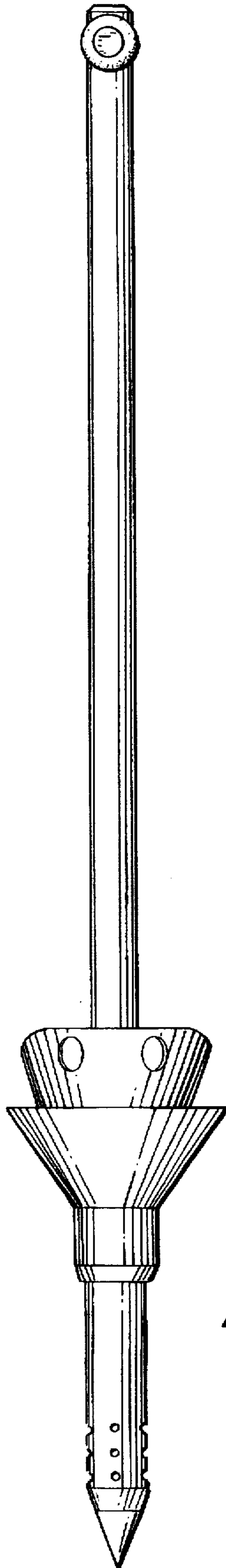


Fig. 4

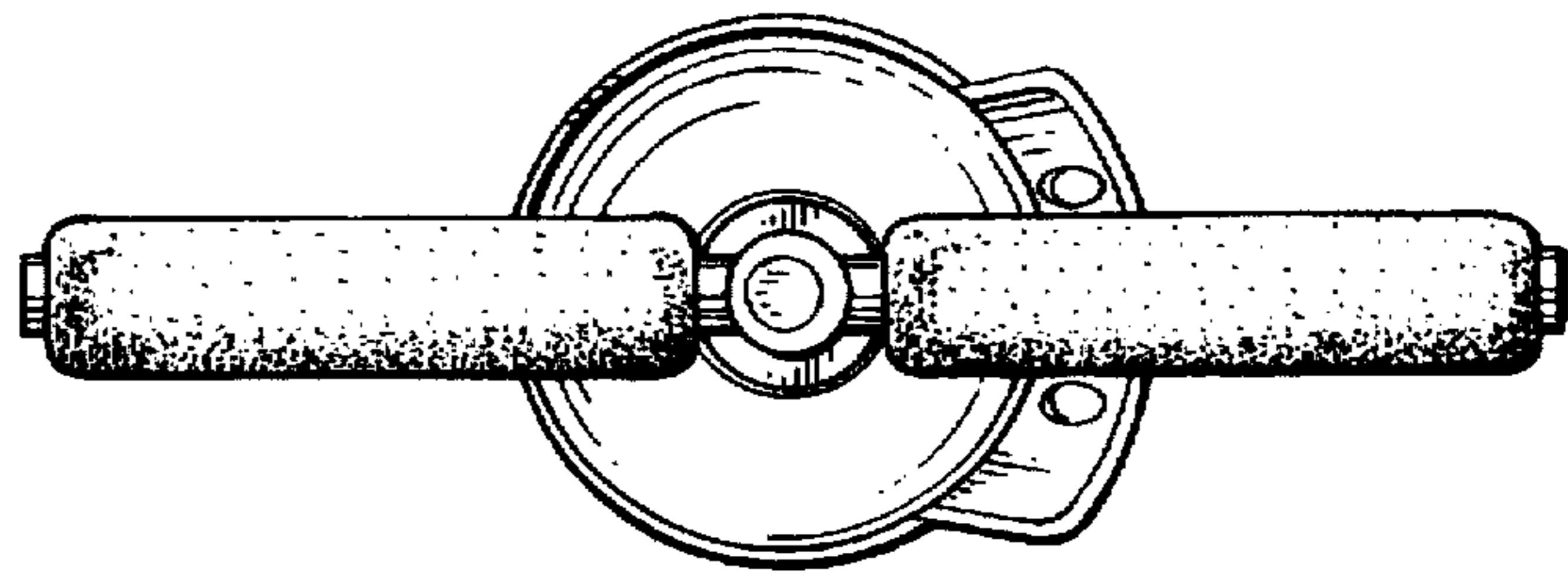


Fig. 5

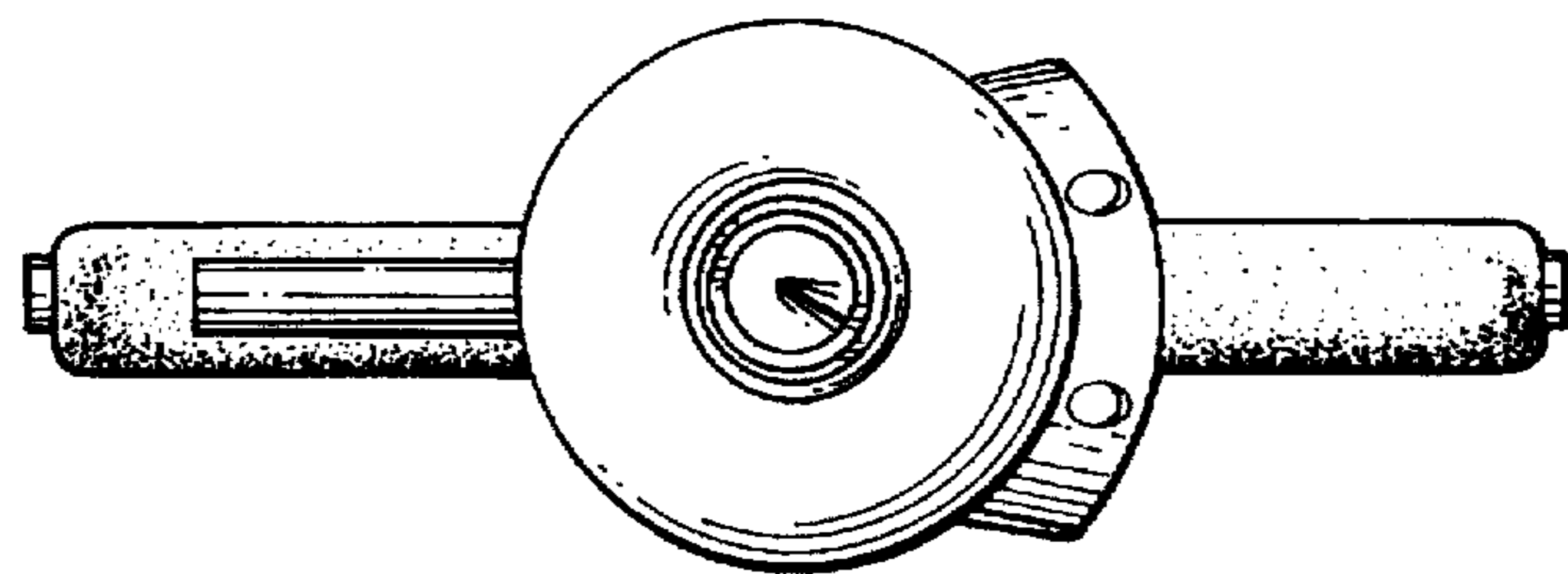


Fig. 6