



US00D389697S

United States Patent [19]
Smit

[11] **Patent Number:** **Des. 389,697**
[45] **Date of Patent:** ****Jan. 27, 1998**

[54] **FILTER CONTAINER**

4,697,503 10/1987 Okabe et al. D7/400 X
5,309,820 5/1994 Baxter et al. D7/400 X

[76] **Inventor:** **Gerard Clement Smit,**
Utrechtsestraatweg 26, Amerongen,
3958 PB, Netherlands

Primary Examiner—M. N. Pandozzi
Attorney, Agent, or Firm—Amster, Rothstein & Ebenstein

[**] **Term:** **14 Years**

[57] **CLAIM**

The ornamental design for a filter container, as shown.

[21] **Appl. No.:** **48,606**

DESCRIPTION

[22] **Filed:** **Jan. 5, 1996**

[51] **LOC (6) Cl.** **07-99**

[52] **U.S. Cl.** **D7/400**

[58] **Field of Search** D7/400, 309, 310,
D7/300; D23/209; 210/499, 495, 455, 282,
473, 474

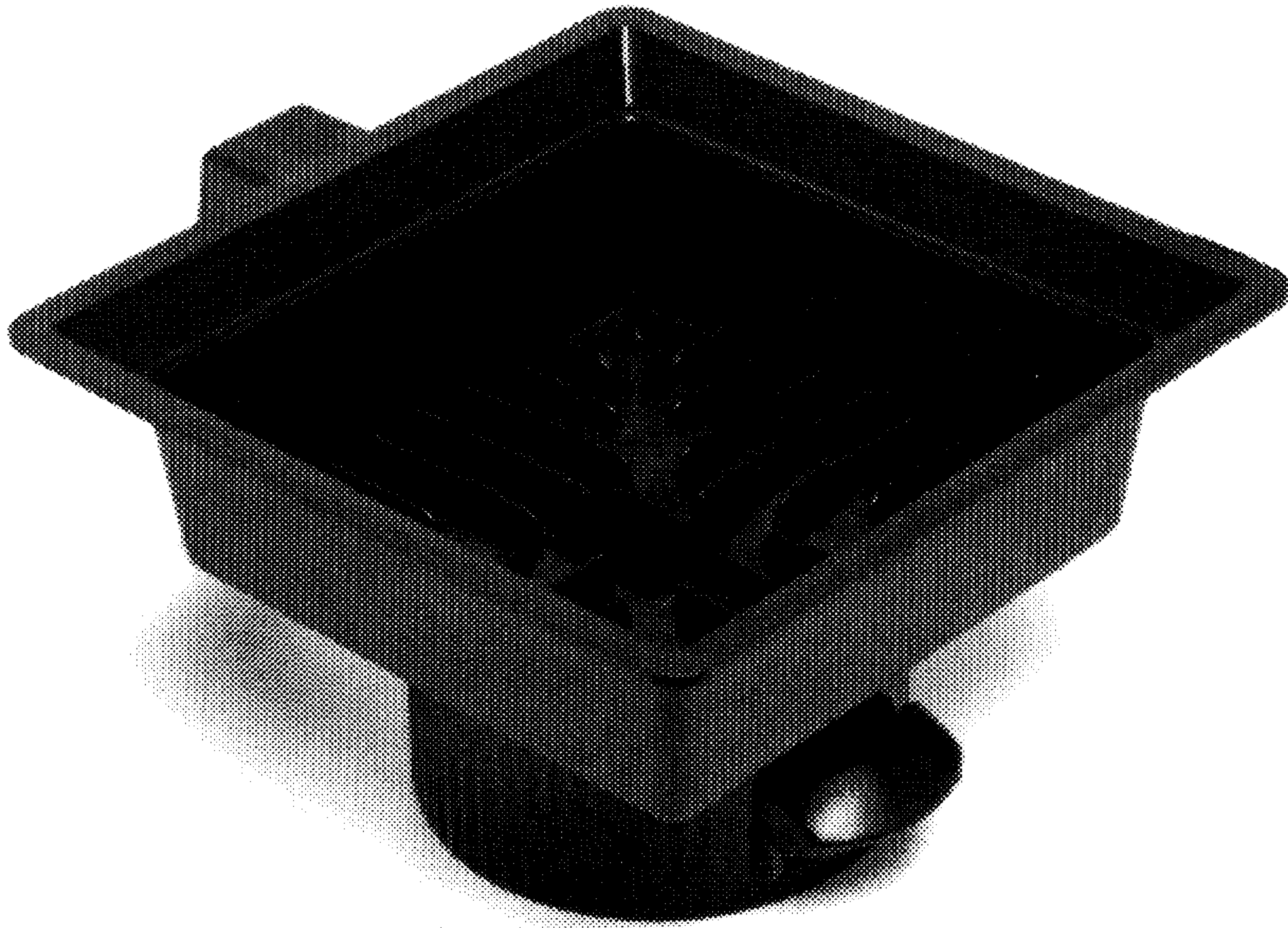
FIG. 1 is an perspective view from the top, the front and one end of a filter container showing my new design;
FIG. 2 is an perspective view thereof from the bottom, the back and the one end;
FIG. 3 is perspective view thereof from the bottom and the front;
FIG. 4 is an perspective view thereof from the bottom and the one end;
FIG. 5 is an perspective view thereof from the bottom and the other end;
FIG. 6 is a top plan view thereof; and,
FIG. 7 is a bottom plan view thereof.

[56] **References Cited**

U.S. PATENT DOCUMENTS

D. 360,106 7/1995 Sintchak D7/400
D. 369,850 5/1996 Cammack et al. D23/209
D. 378,650 4/1997 Wong D7/400 X
3,215,060 11/1965 Perlov D7/400 X
4,656,932 4/1987 Kopp D7/400 X

1 Claim, 7 Drawing Sheets



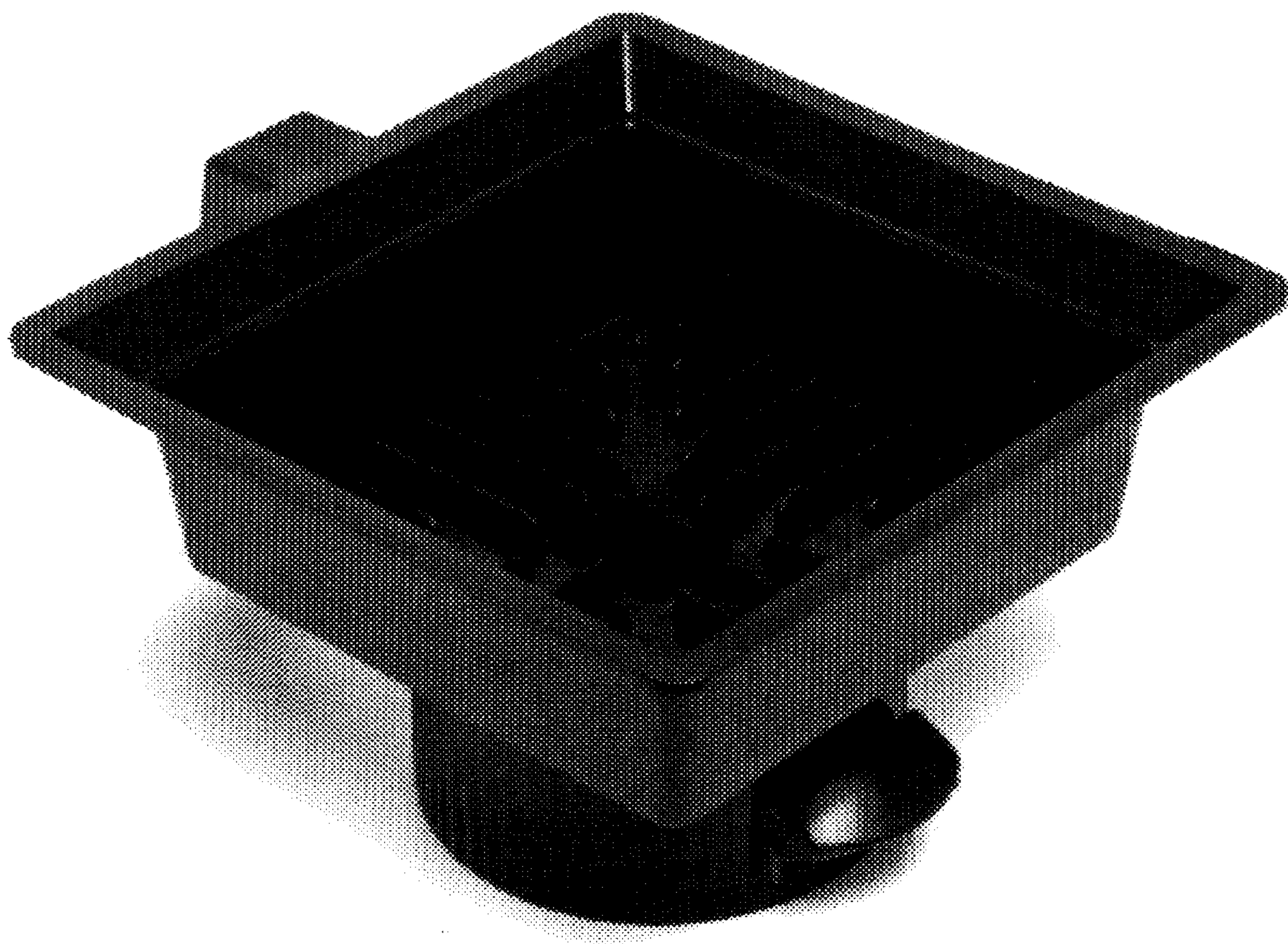


FIG. 1

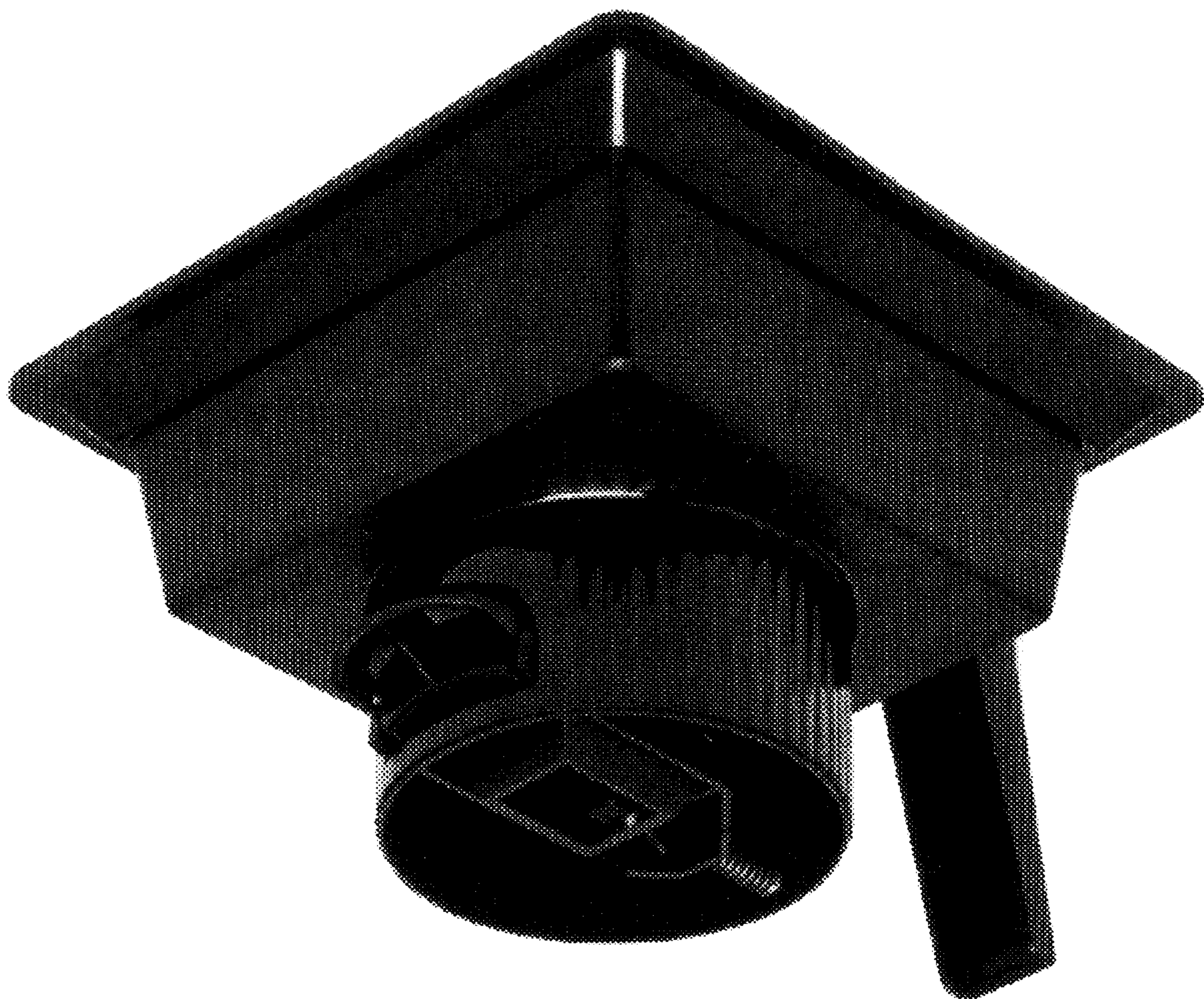


FIG. 2

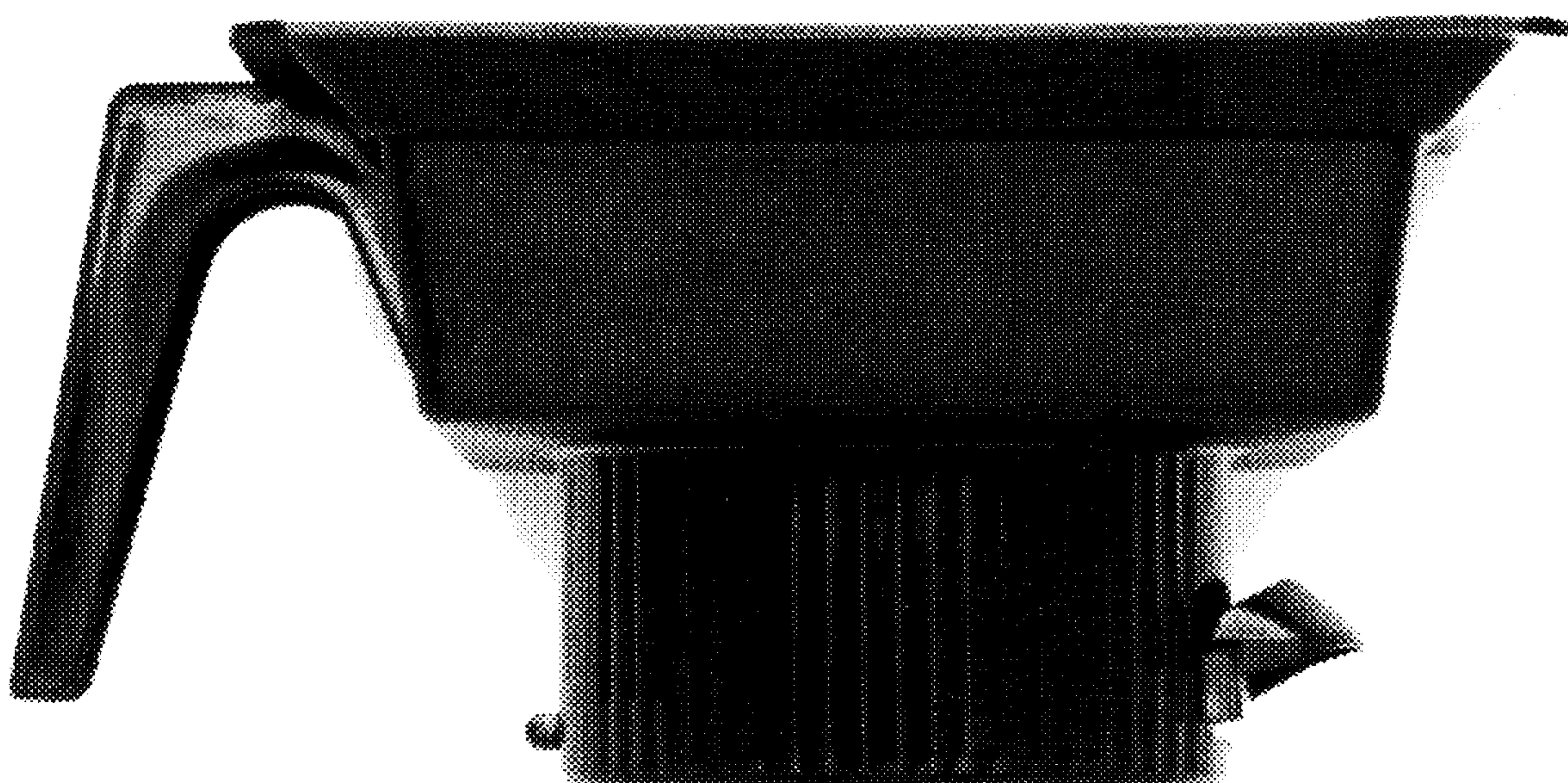


FIG. 3

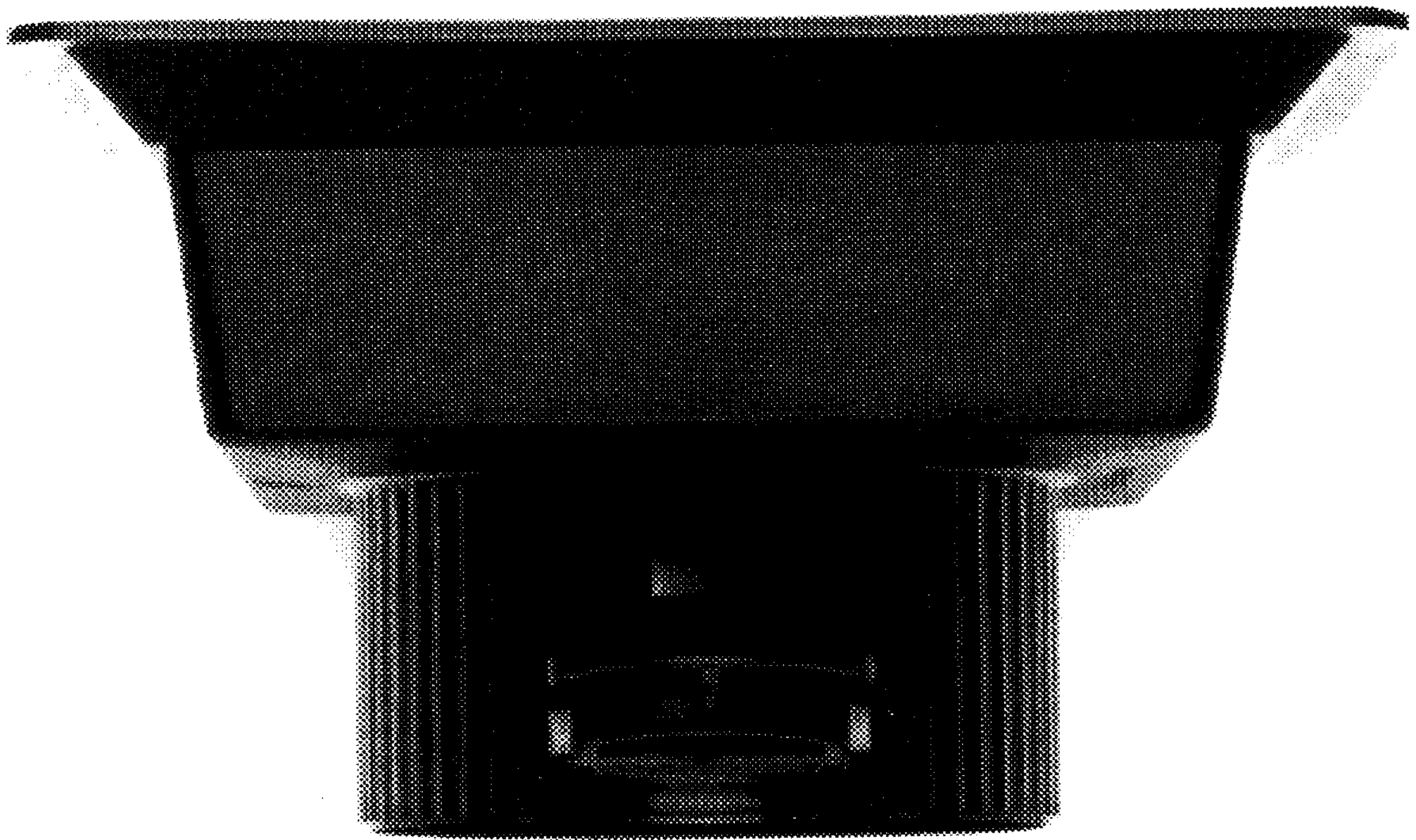


FIG. 4

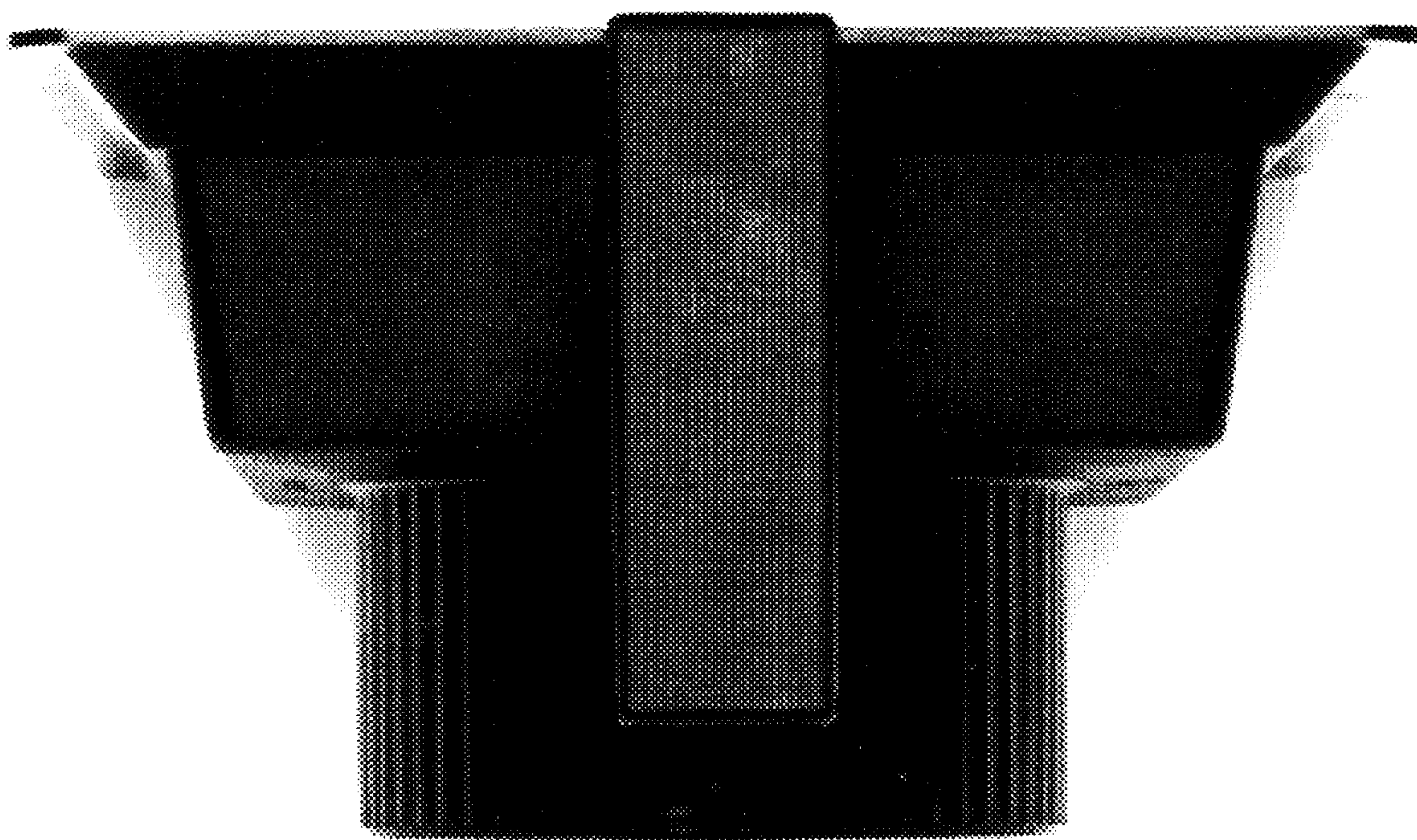


FIG. 5

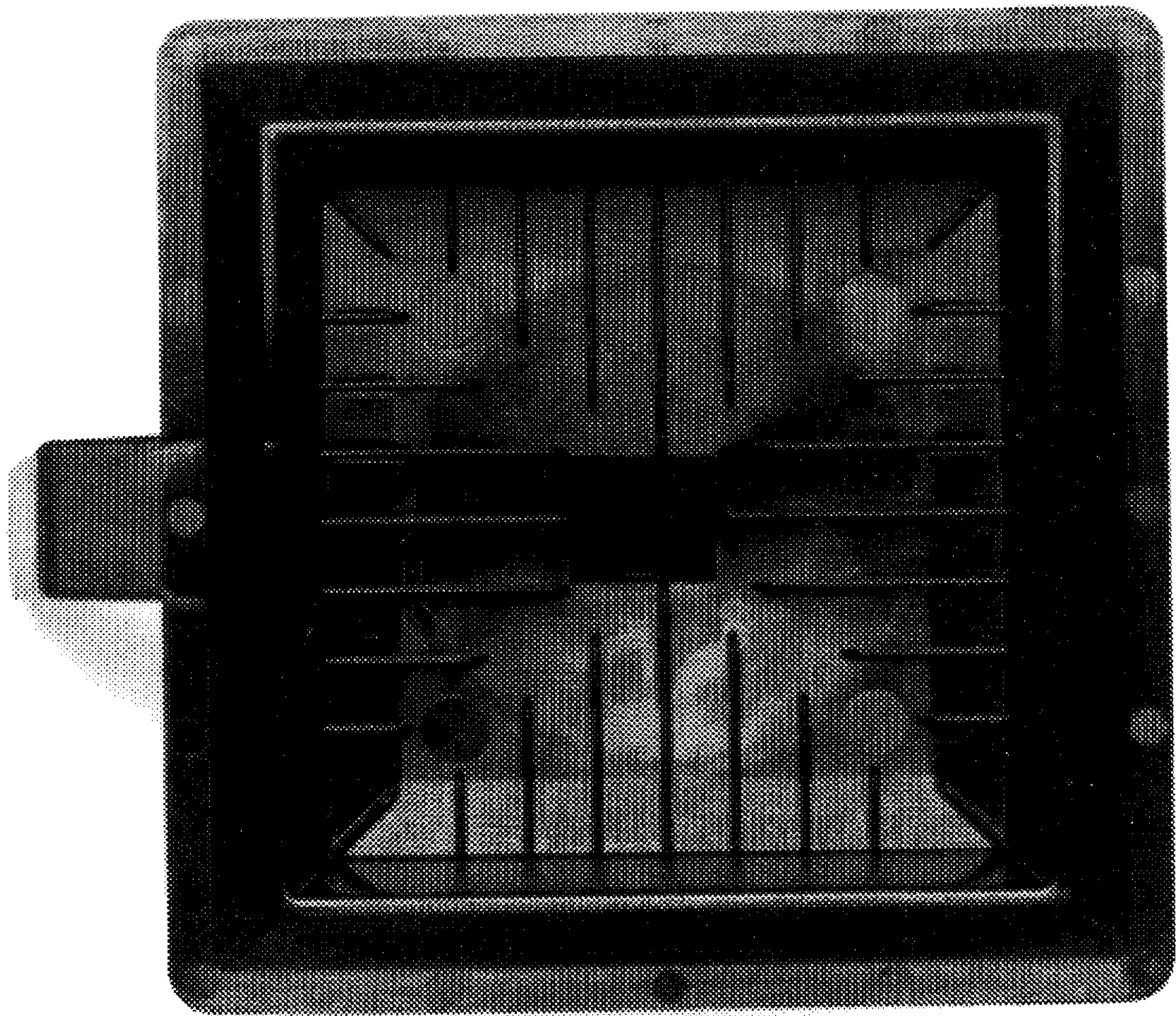


FIG. 6

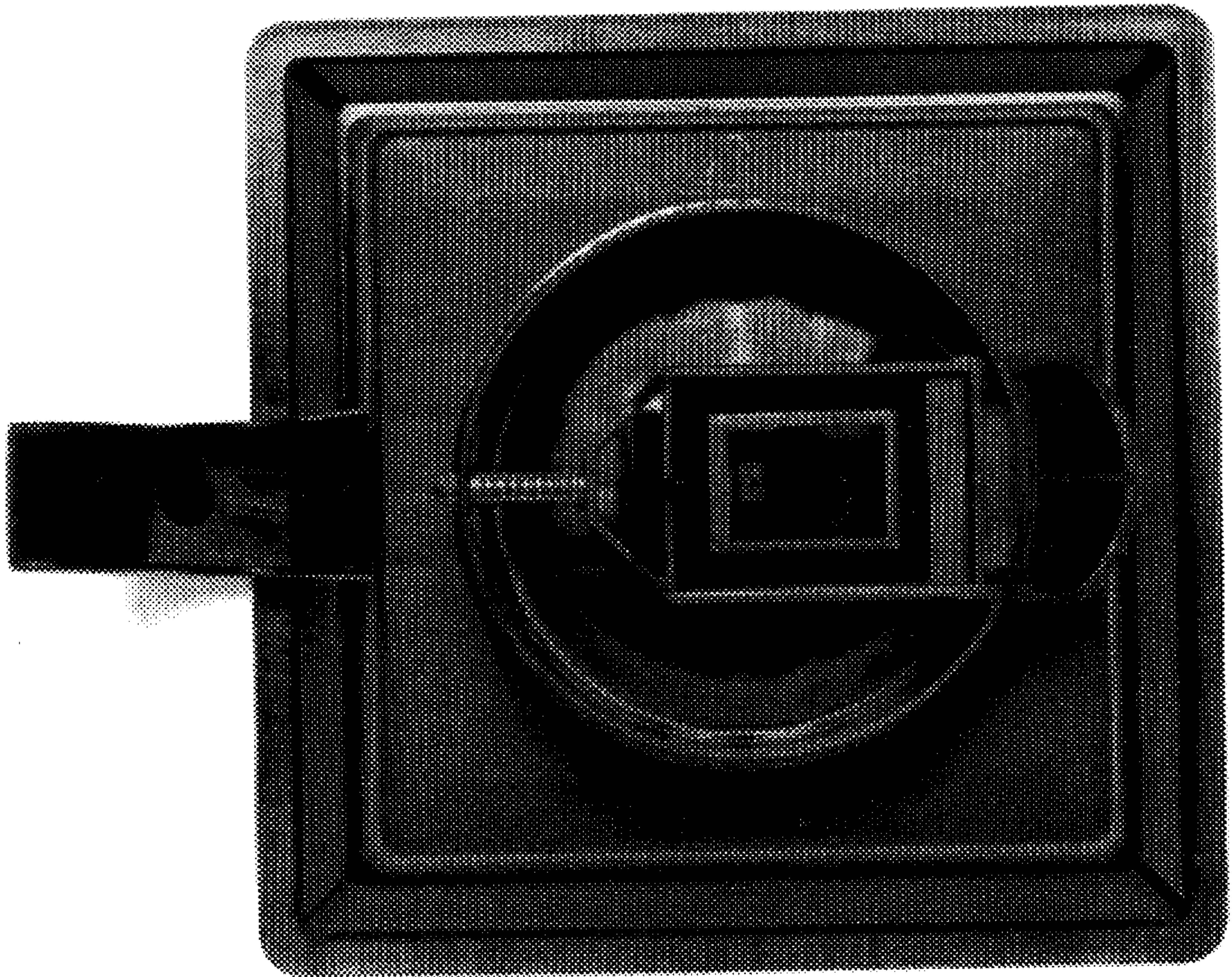


FIG. 7