



US00D389685S

United States Patent [19]

Marroquin

[11] Patent Number: **Des. 389,685**

[45] Date of Patent: ****Jan. 27, 1998**

[54] **TOILET PAPER HOLDER**

[75] Inventor: **Solomon Marroquin**, 1211 Ash St., Mission, Tex. 78572

[73] Assignee: **Solomon Marroquin**, Mission, Tex.

[**] Term: **14 Years**

[21] Appl. No.: **63,466**

[22] Filed: **Dec. 9, 1996**

[51] LOC (6) Cl. **07-07**

[52] U.S. Cl. **D6/523; D6/521; D6/522**

[58] Field of Search **D6/518-523; 206/225, 206/389, 391; 211/49.1, 59.1; 242/550, 570, 590, 597, 600; 248/309.1, 309.2; 312/34.8**

[56] **References Cited**

U.S. PATENT DOCUMENTS

- D. 267,062 11/1982 Lentz D6/512
- D. 341,080 11/1993 Heinrich D6/521 X

- D. 356,266 3/1995 Hay D6/521
- 3,370,805 2/1968 Barbee D6/521 X

Primary Examiner—Brian N. Vinson

[57] **CLAIM**

The ornamental design for a toilet paper holder, as shown and described.

DESCRIPTION

FIG. 1 is a front elevational view of a toilet paper holder showing my new design;

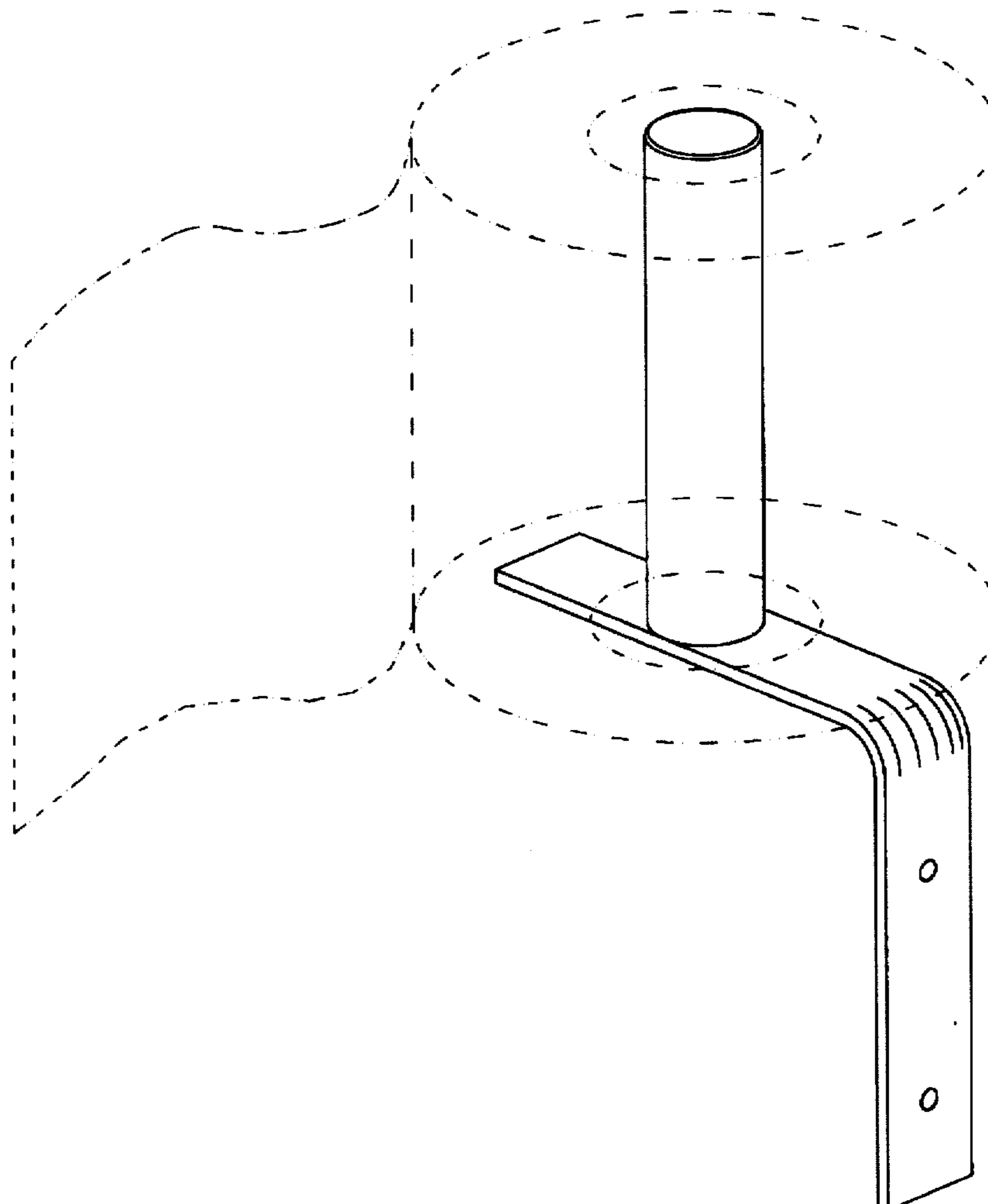
FIG. 2 is a left side elevational view thereof, the right side being a mirror image of that shown;

FIG. 3 is a top, front, and left side perspective view thereof; and,

FIG. 4 is a top plan view thereof.

The broken-line disclosure of a toilet paper roll in the views is for illustrative purposes only and forms no part of the claimed design.

1 Claim, 2 Drawing Sheets



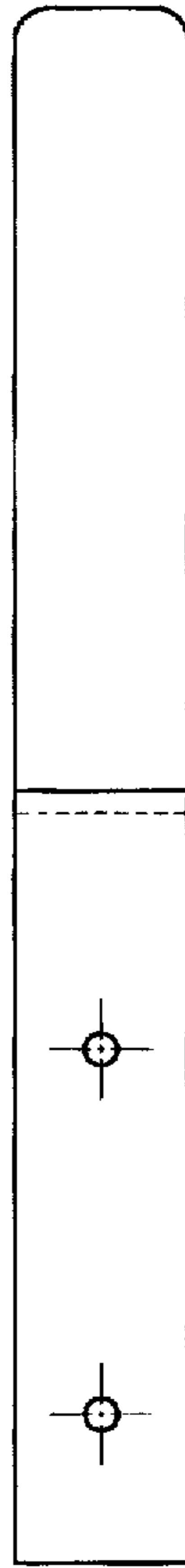


FIG. 1

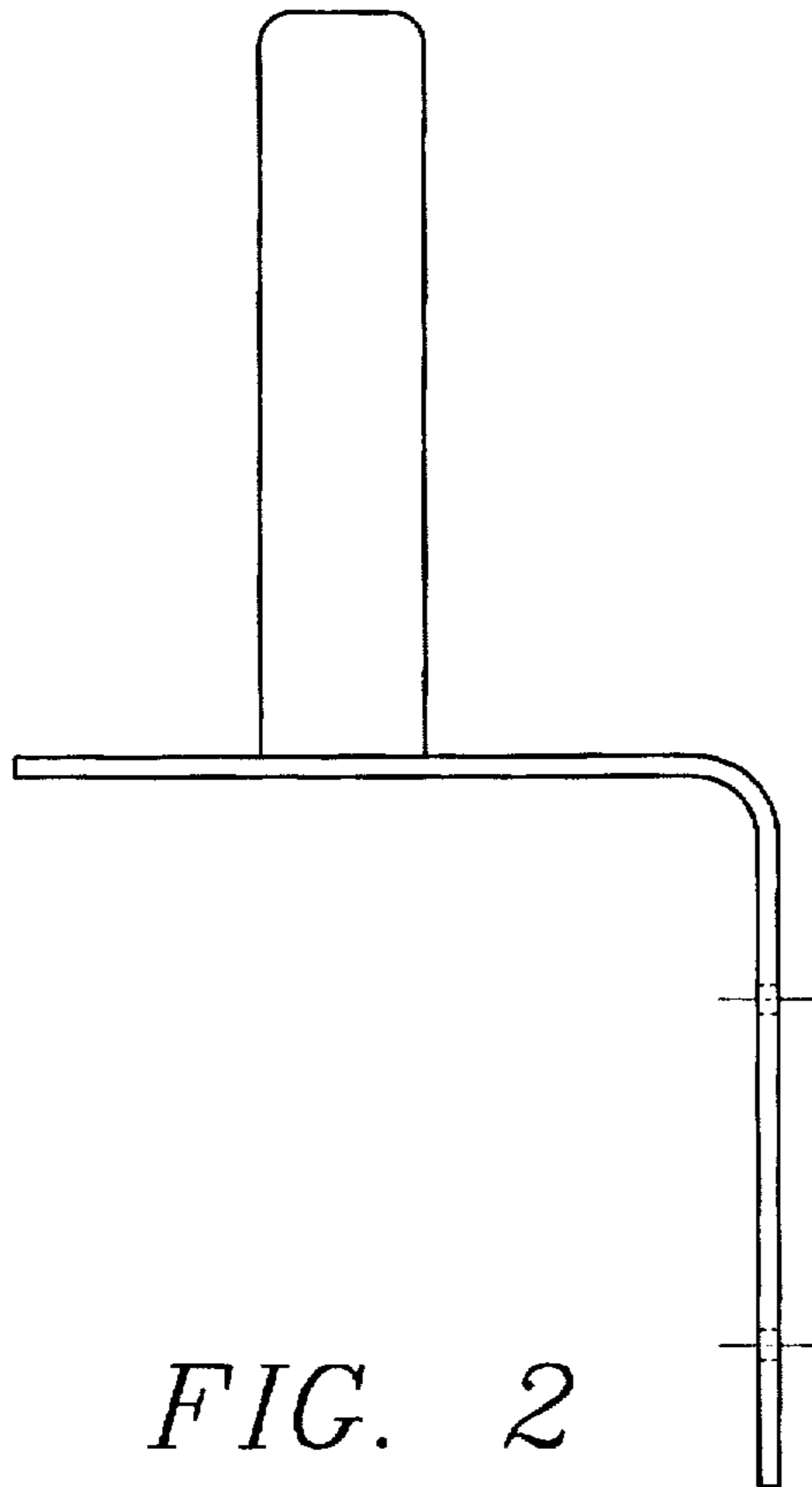


FIG. 2

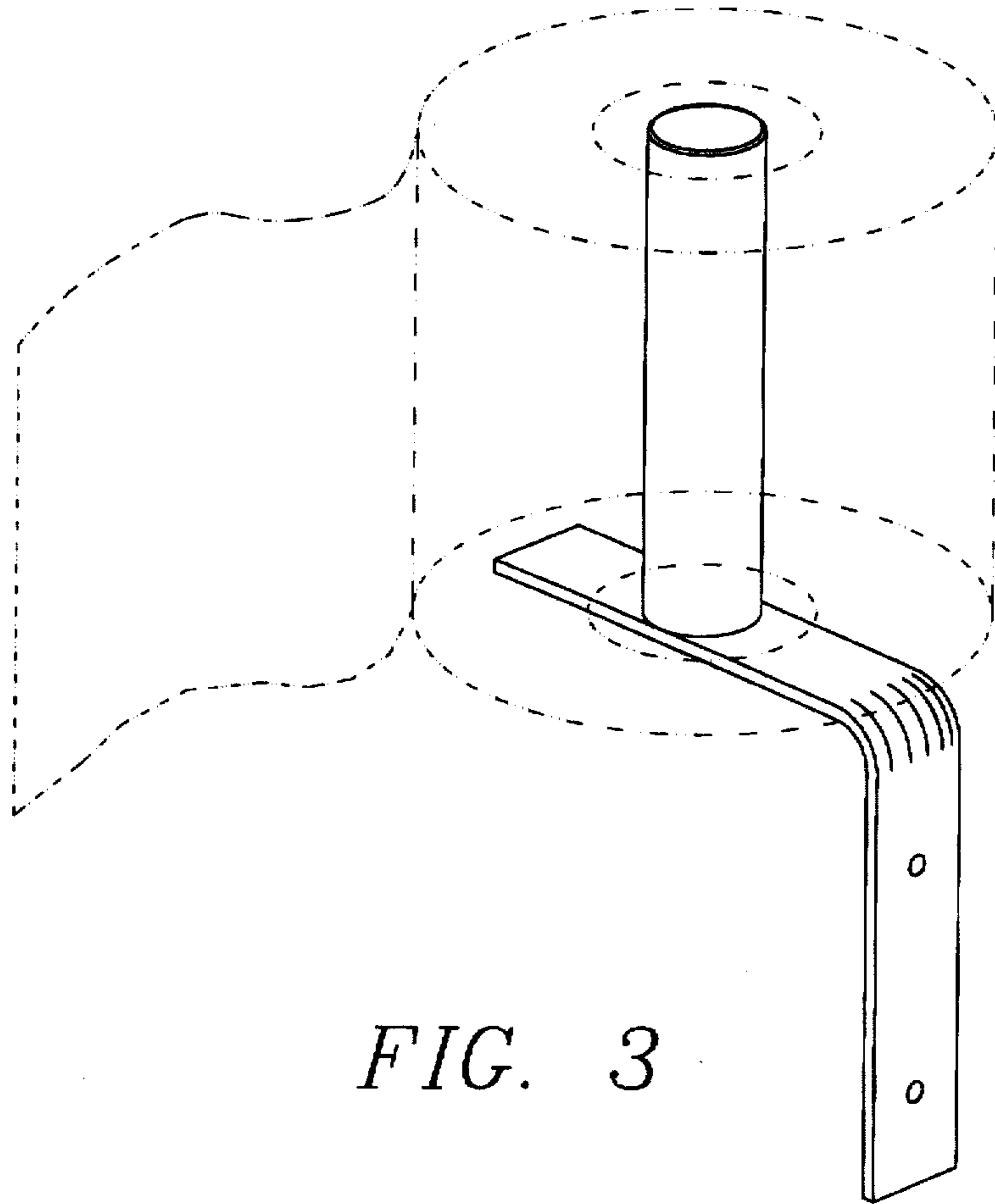


FIG. 3

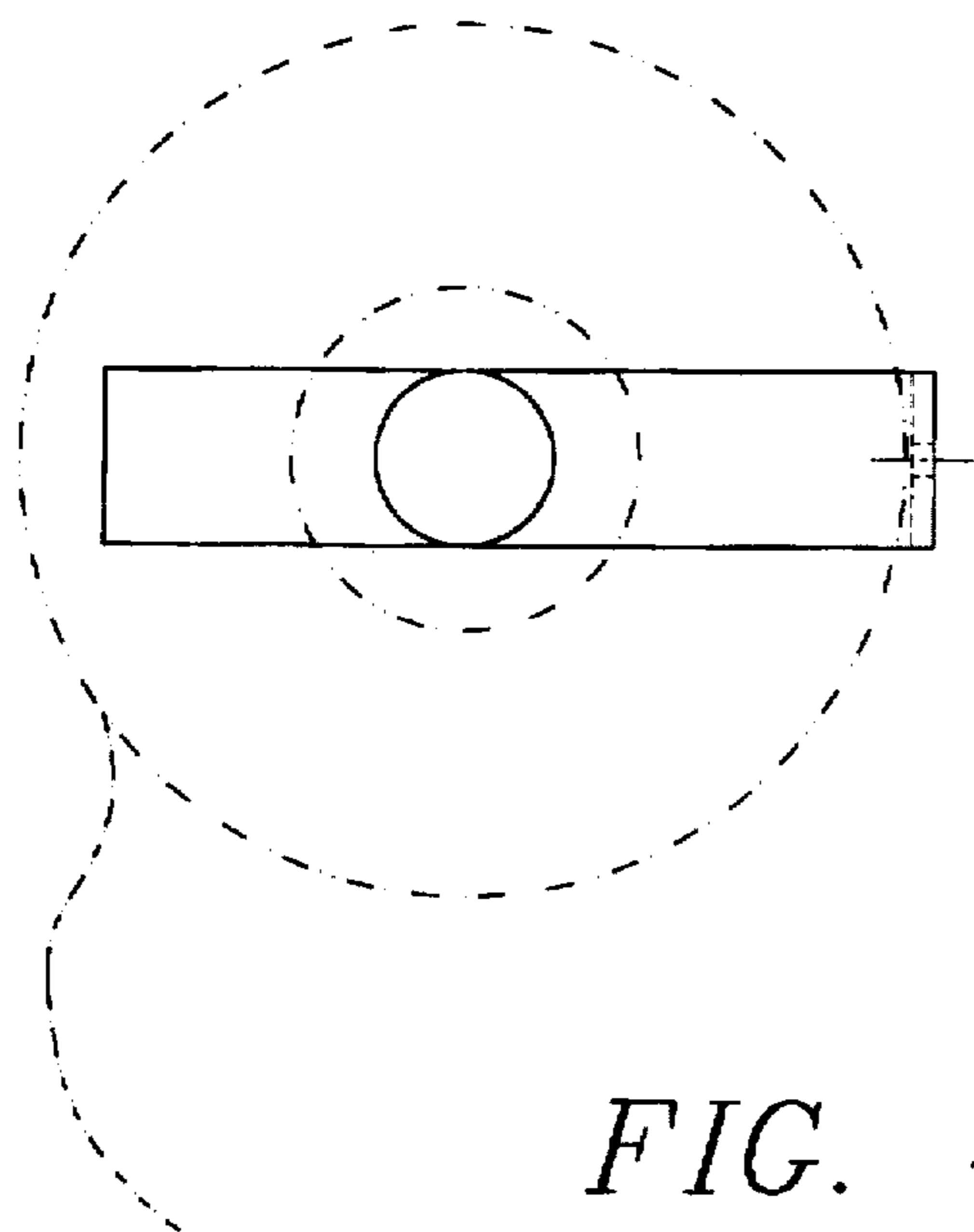


FIG. 4