



US00D389683S

United States Patent [19]

Herrera

[11] Patent Number: **Des. 389,683**

[45] Date of Patent: ****Jan. 27, 1998**

[54] TOWEL HOLDER

2,534,290 12/1950 Moskowitz 206/389 X
4,177,958 12/1979 Poole 312/34.8 X

[76] Inventor: **Jorge G. Herrera**, 1412 W. Hays, #2C,
Boise, Id. 83702

Primary Examiner—Brian N. Vinson
Attorney, Agent, or Firm—Frank J. Dykas

[**] Term: **14 Years**

[57] CLAIM

[21] Appl. No.: **56,591**

The ornamental design for a towel holder, as shown and described.

[22] Filed: **Jun. 2, 1996**

DESCRIPTION

[51] LOC (6) Cl. **07-07**

[52] U.S. Cl. **D6/522**

[58] Field of Search D6/518-523; 312/34.1,
312/34.8; 242/570, 600, 601; 206/228,
389

FIG. 1 is a top and front perspective view of a towel holder showing my new design, the broken-line disclosure of a portion of a towel being for illustrative purposes only and forming no part of the claimed design;

FIG. 2 is a front elevational view thereof;

FIG. 3 is a rear elevational view thereof, the adjacent sides being identical in appearance;

FIG. 4 is a top plan view thereof;

FIG. 5 is a bottom plan view thereof; and,

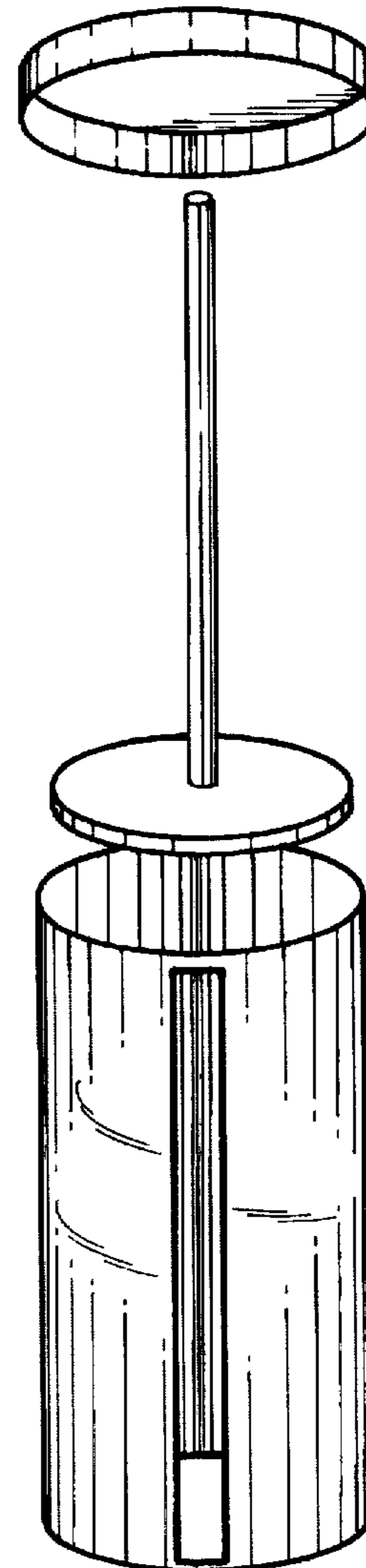
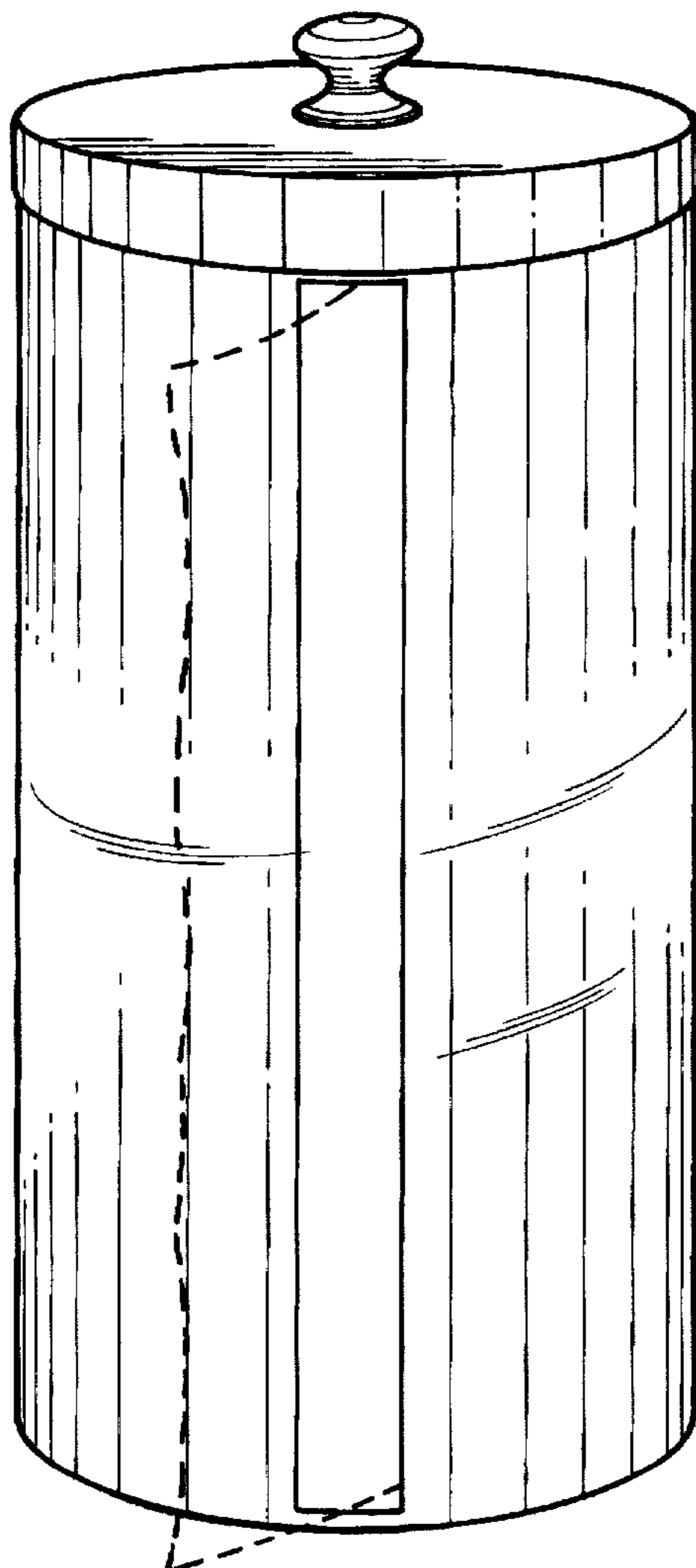
FIG. 6 is a reduced exploded top and front perspective view thereof.

[56] References Cited

U.S. PATENT DOCUMENTS

- D. 316,789 5/1991 McLaughlin D6/522
- D. 327,798 7/1992 Addison et al. D6/523
- D. 367,388 2/1996 Essman D6/521 X
- D. 374,584 10/1996 Freeman D6/519

1 Claim, 5 Drawing Sheets



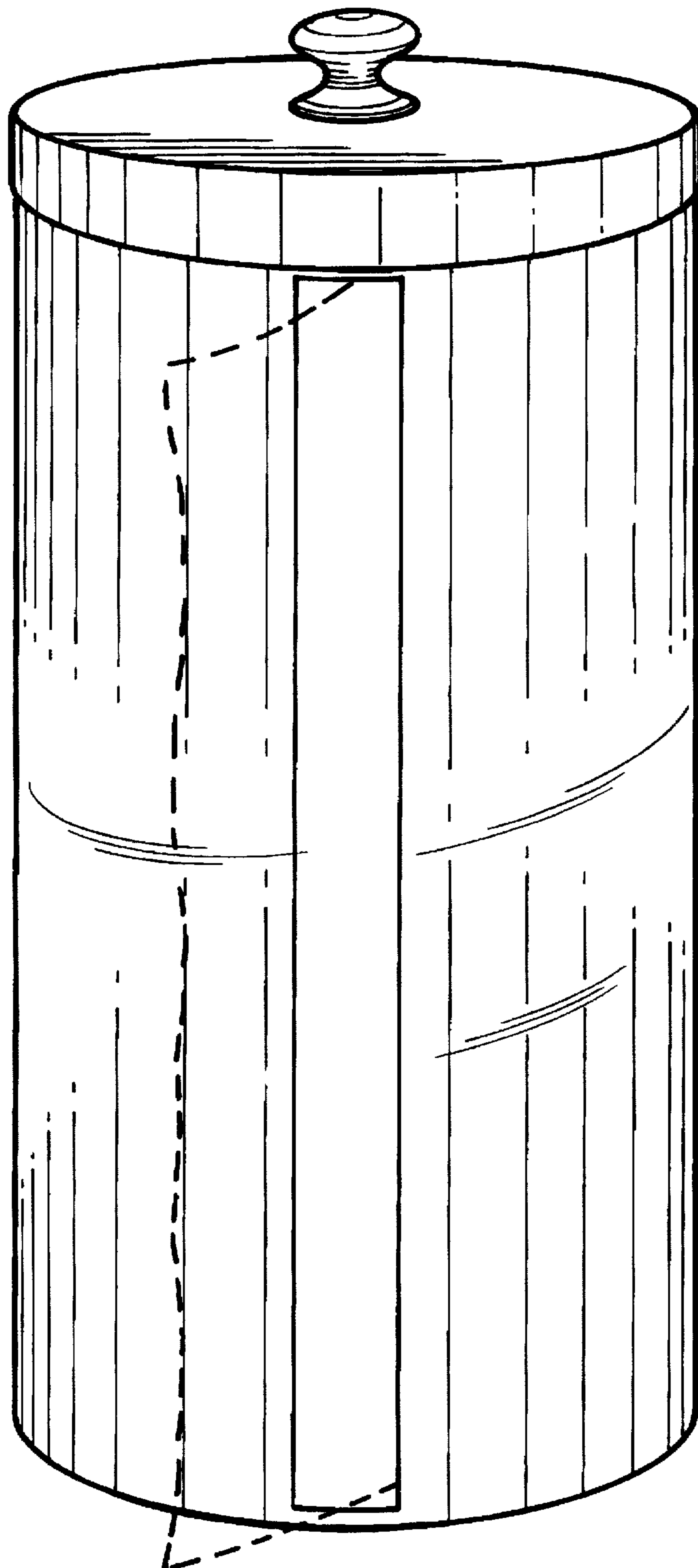


FIG. 1

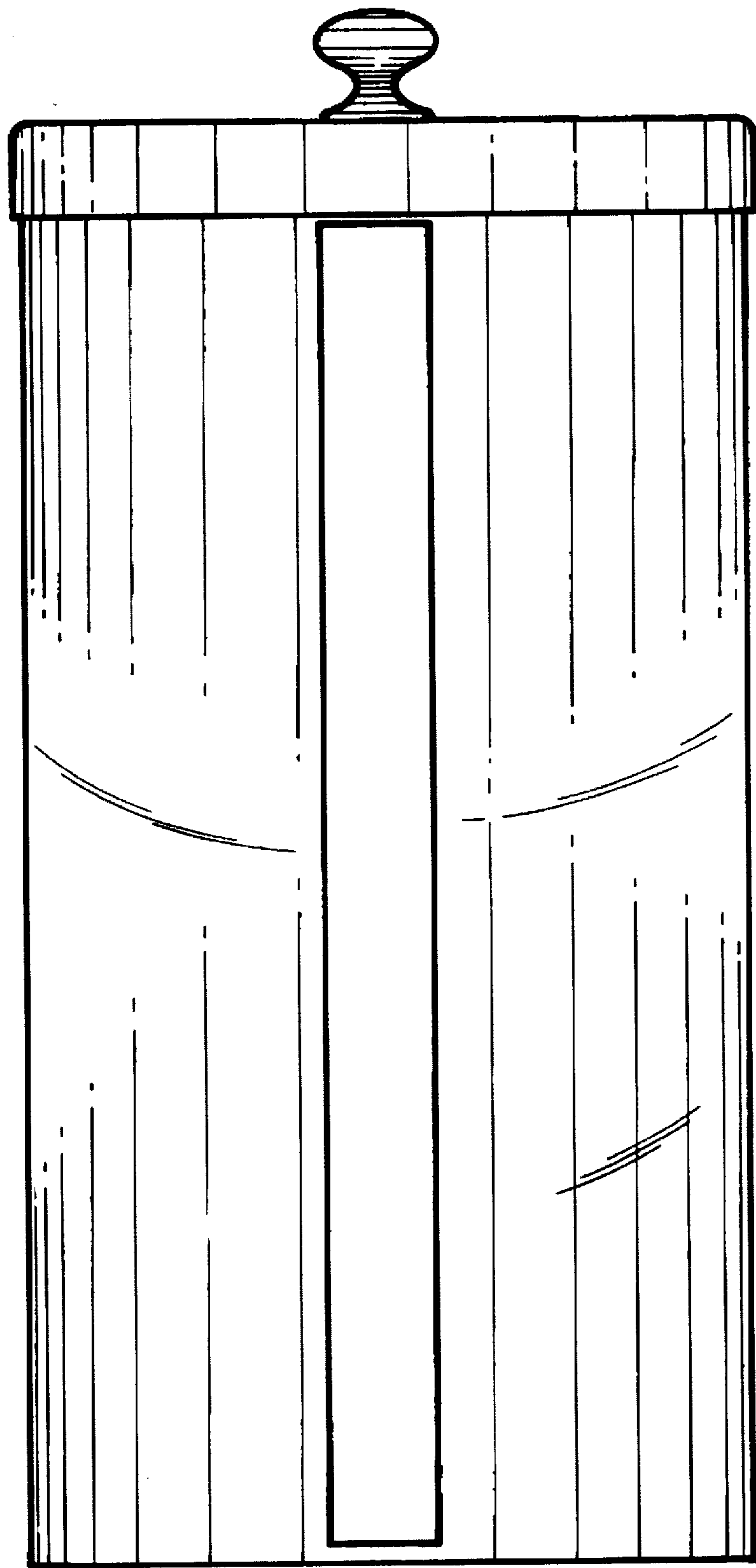


FIG. 2

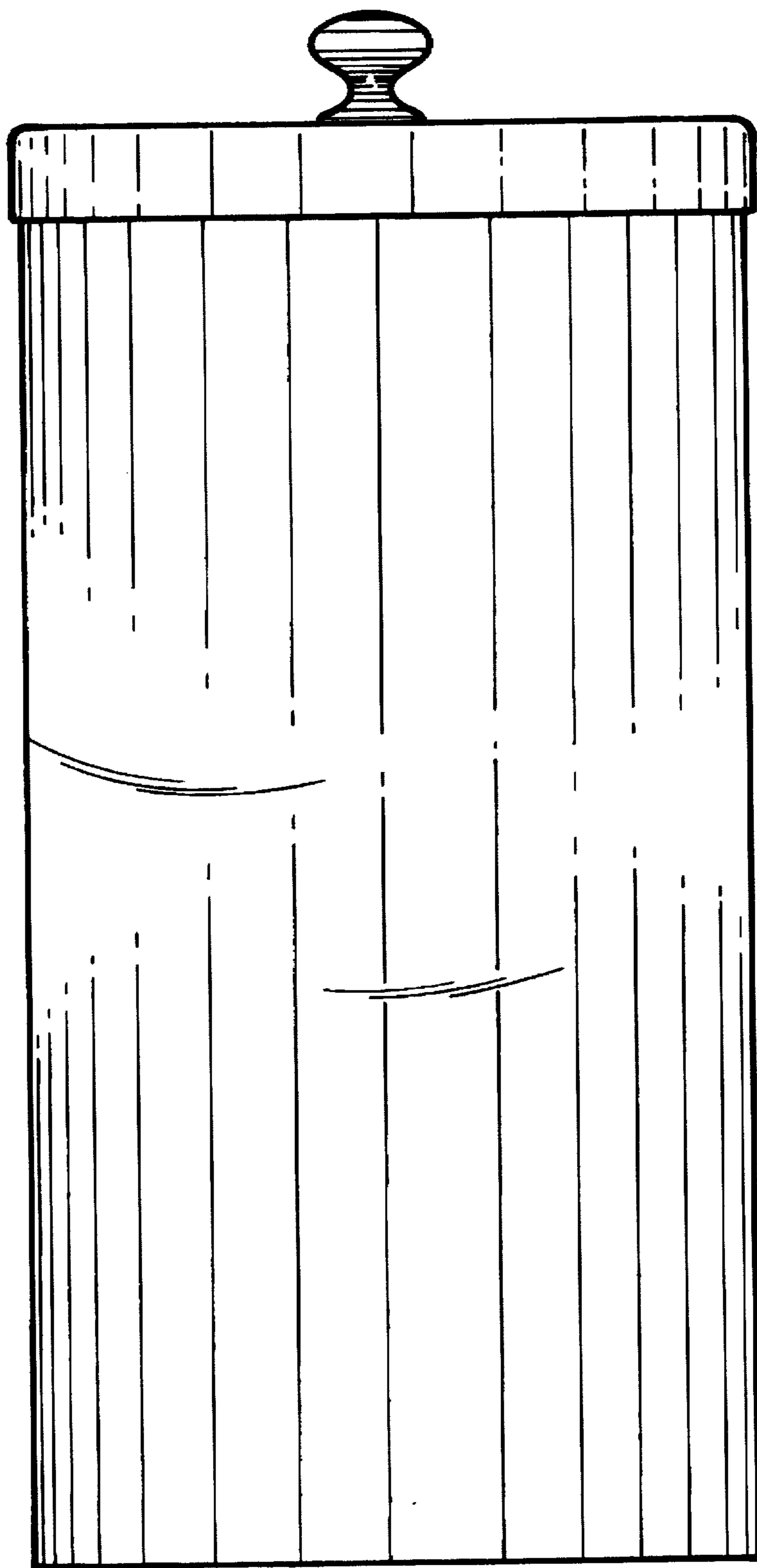


FIG. 3

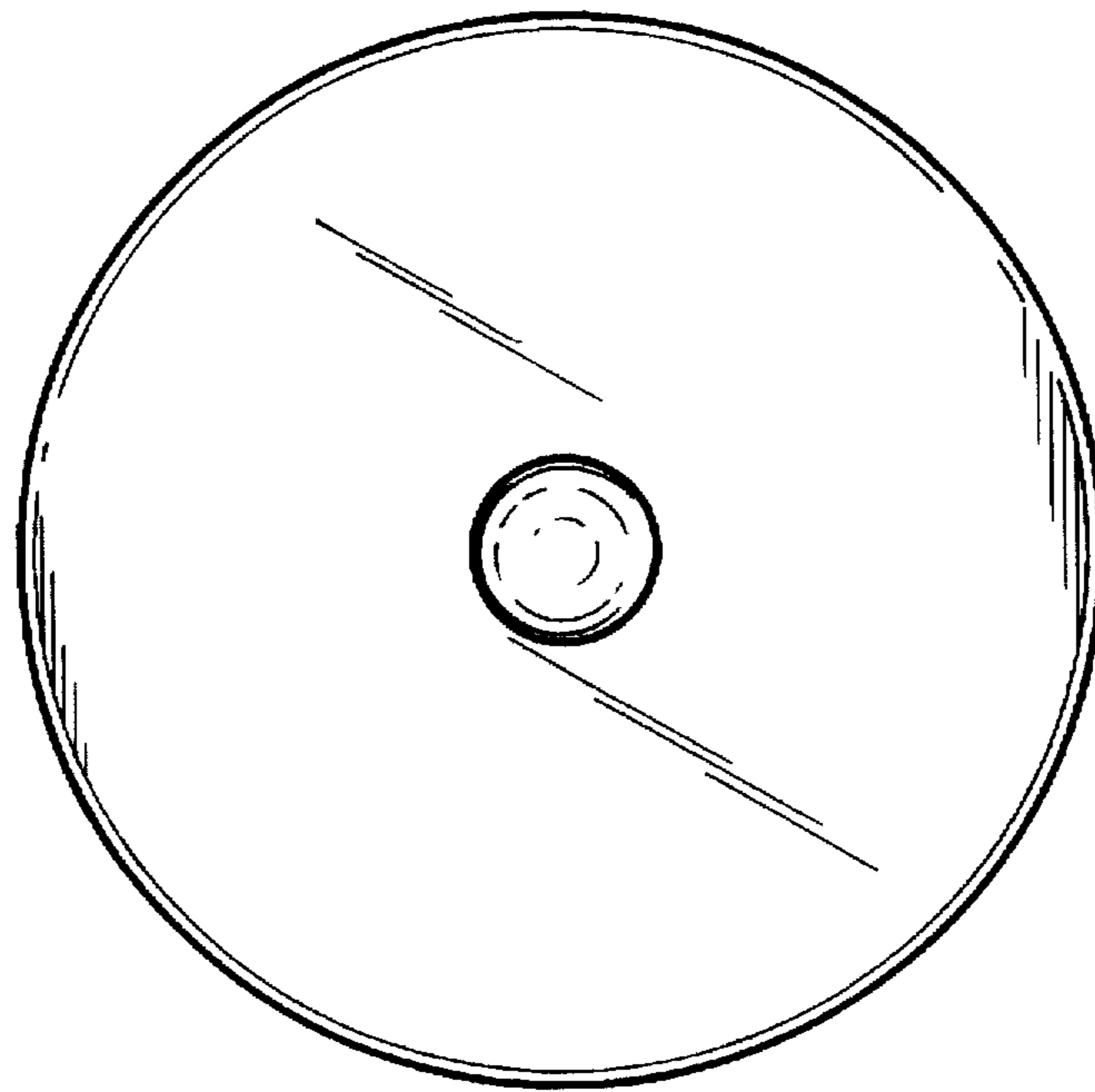


FIG. 4

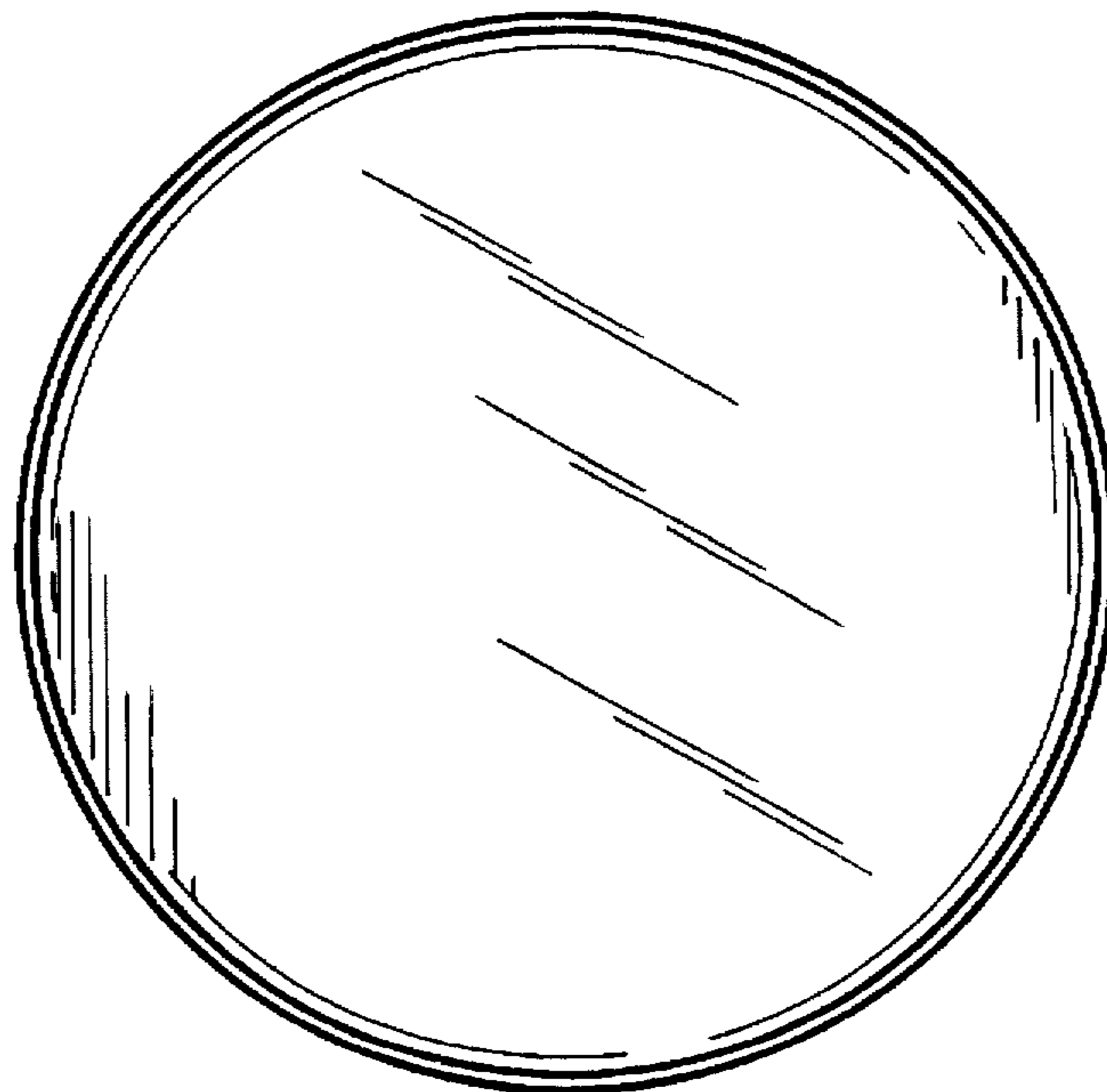


FIG. 5

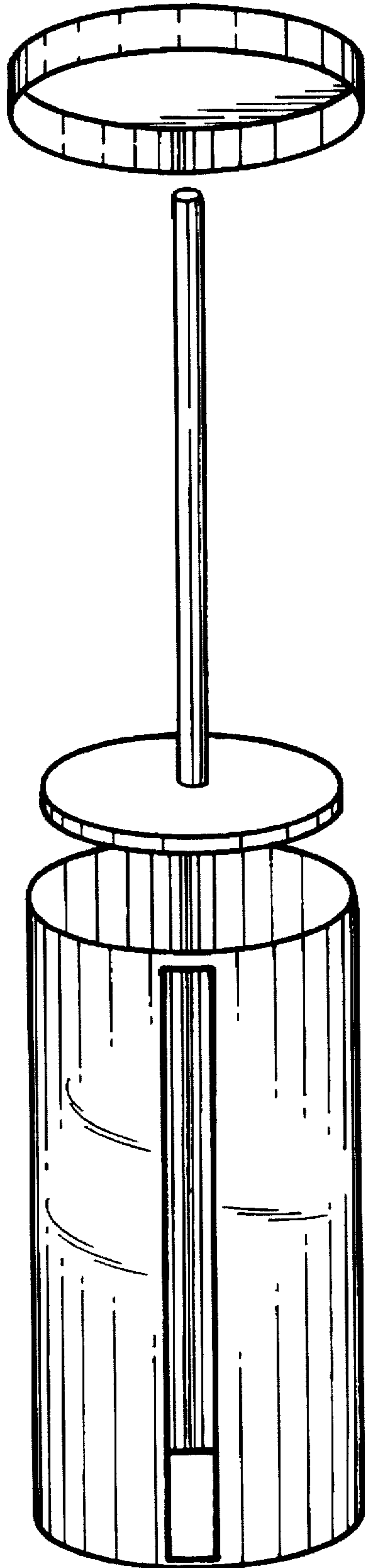


FIG. 6