



US00D389675S

United States Patent [19]

Noll

[11] Patent Number: **Des. 389,675**

[45] Date of Patent: ****Jan. 27, 1998**

[54] **PAIR OF SIDE TABLES FOR A GLIDER**

[76] Inventor: **Ronald C. Noll**, 20749 University Blvd., Shaker Heights, Ohio 44122

[**] Term: **14 Years**

[21] Appl. No.: **54,593**

[22] Filed: **May 16, 1996**

[51] LOC (6) Cl. **06-03**

[52] U.S. Cl. **D6/487**

[58] Field of Search D6/491, 501, 511, D6/344, 347, 480, 486, 487; 297/281, 282, 148, 160, 170

- D. 361,673 8/1995 Pomeroy et al. .
- D. 362,349 9/1995 Pomeroy et al. .
- D. 365,692 1/1996 Pomeroy et al. .
- 2,044,862 6/1936 Smith .
- 2,179,395 11/1939 Yerrick .
- 2,271,440 1/1942 Nelems .
- 2,567,612 9/1951 McGehee .
- 4,213,650 7/1980 Sroub .
- 4,398,767 8/1983 McGuigan .
- 4,796,949 1/1989 Boyce .

Primary Examiner—Janice E. Seeger
Attorney, Agent, or Firm—Pearne, Gordon, McCoy & Granger LLP

[57] CLAIM

The ornamental design for a pair of side tables for a glider, as shown and described.

DESCRIPTION

FIG. 1 is a perspective view of a pair of side tables for a glider, showing my new design; FIG. 2 is a side elevational view thereof; FIG. 3 is a front elevational view thereof; FIG. 4 is a rear elevational view thereof; FIG. 5 is a top plan view thereof; and, FIG. 6 is a bottom plan view thereof. The broken lines are for environmental purposes only and form no part of the claimed design.

1 Claim, 4 Drawing Sheets

[56] References Cited

U.S. PATENT DOCUMENTS

- D. 141,705 6/1945 Slaughter .
- D. 165,835 2/1952 Glass .
- D. 287,677 1/1987 Pomeroy et al. D6/449
- D. 290,911 7/1987 Pomeroy et al. .
- D. 298,490 11/1988 Pomeroy et al. .
- D. 307,363 4/1990 Pomeroy et al. .
- D. 307,523 5/1990 Pomeroy et al. .
- D. 310,604 9/1990 Pomeroy et al. .
- D. 325,823 5/1992 Pomeroy et al. .
- D. 328,197 7/1992 Braxton, III .
- D. 334,485 4/1993 Pomeroy et al. .
- D. 338,563 8/1993 Chiang .
- D. 350,855 9/1994 Pomeroy et al. .

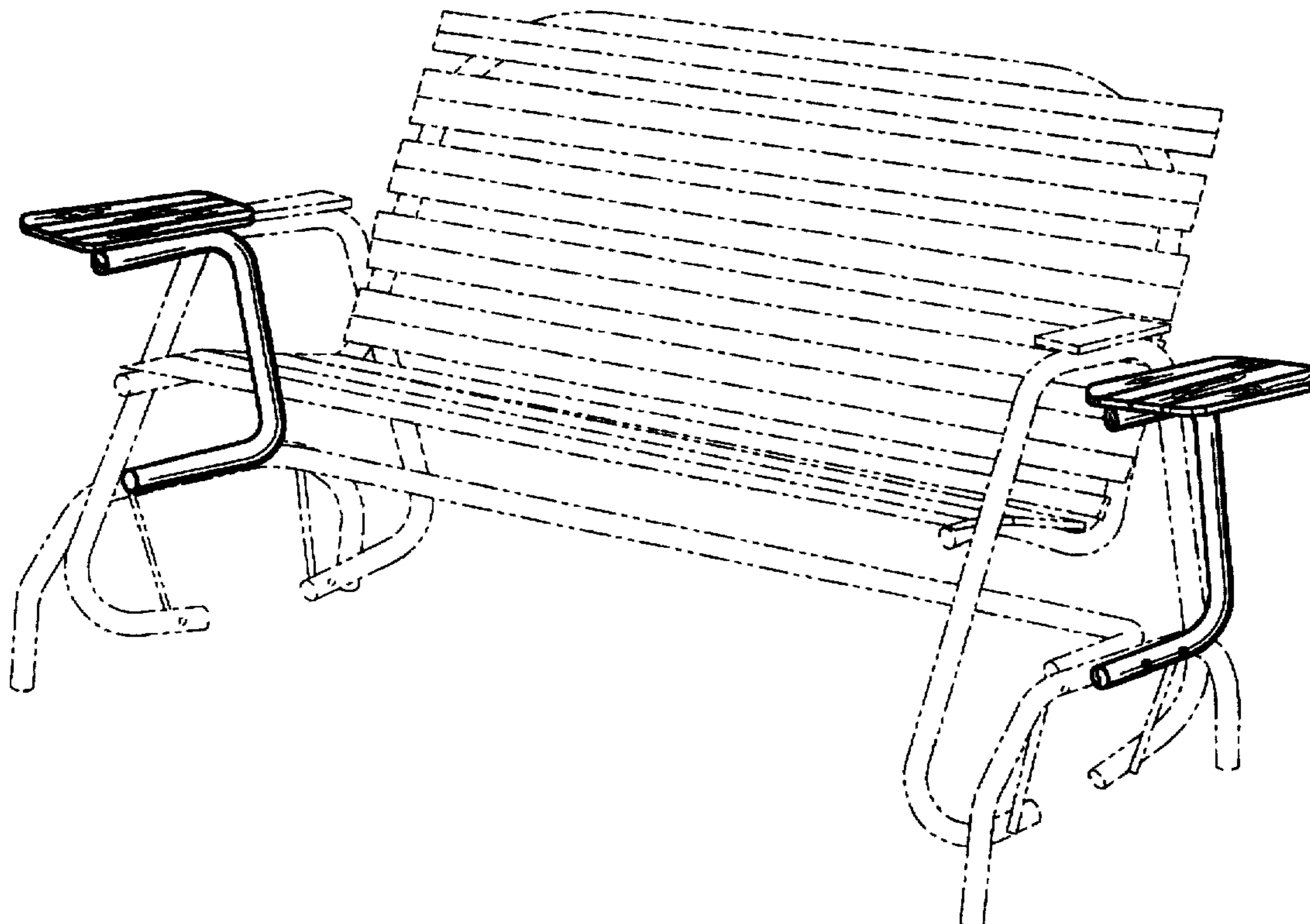
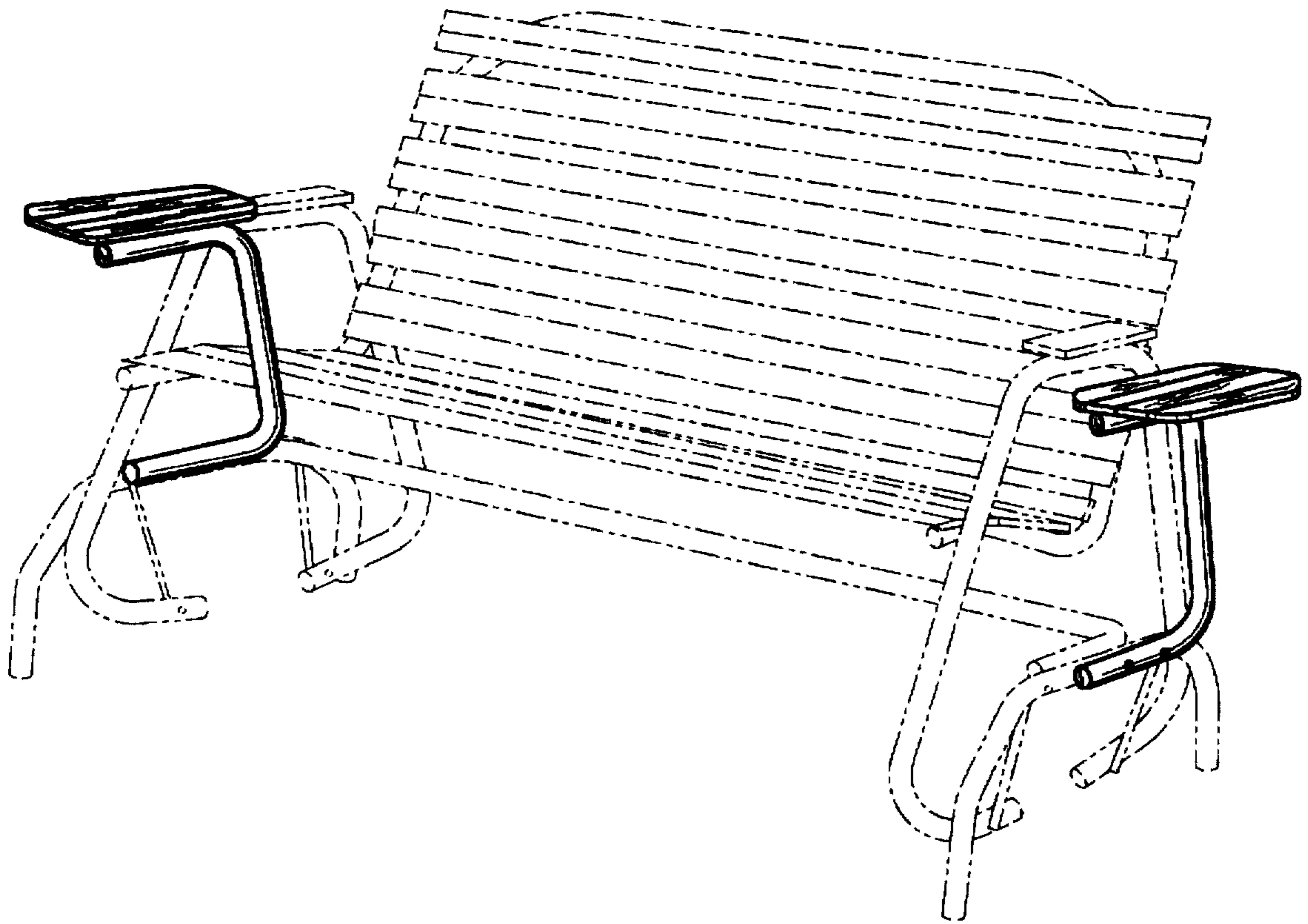


Fig. 1



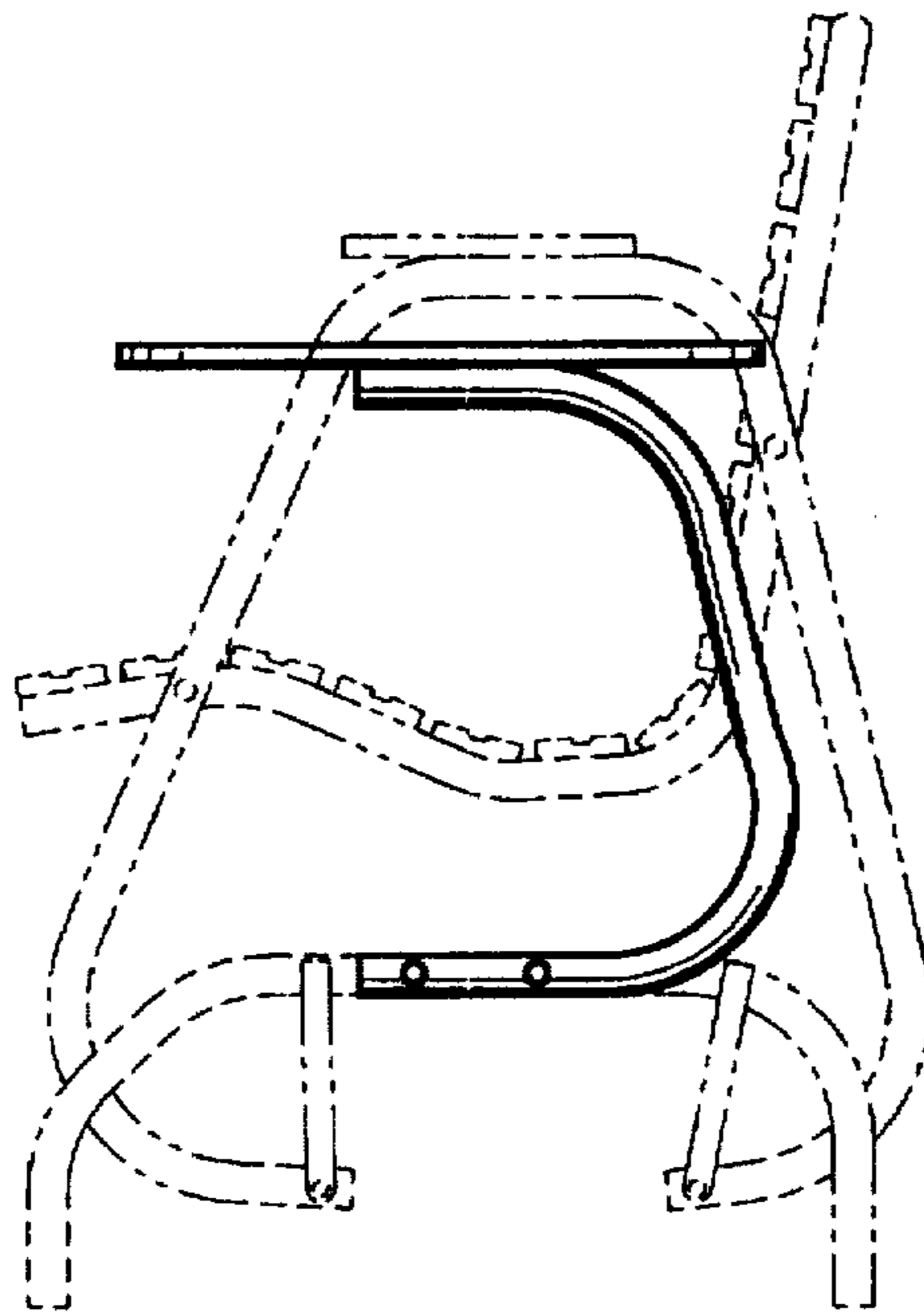


Fig. 2

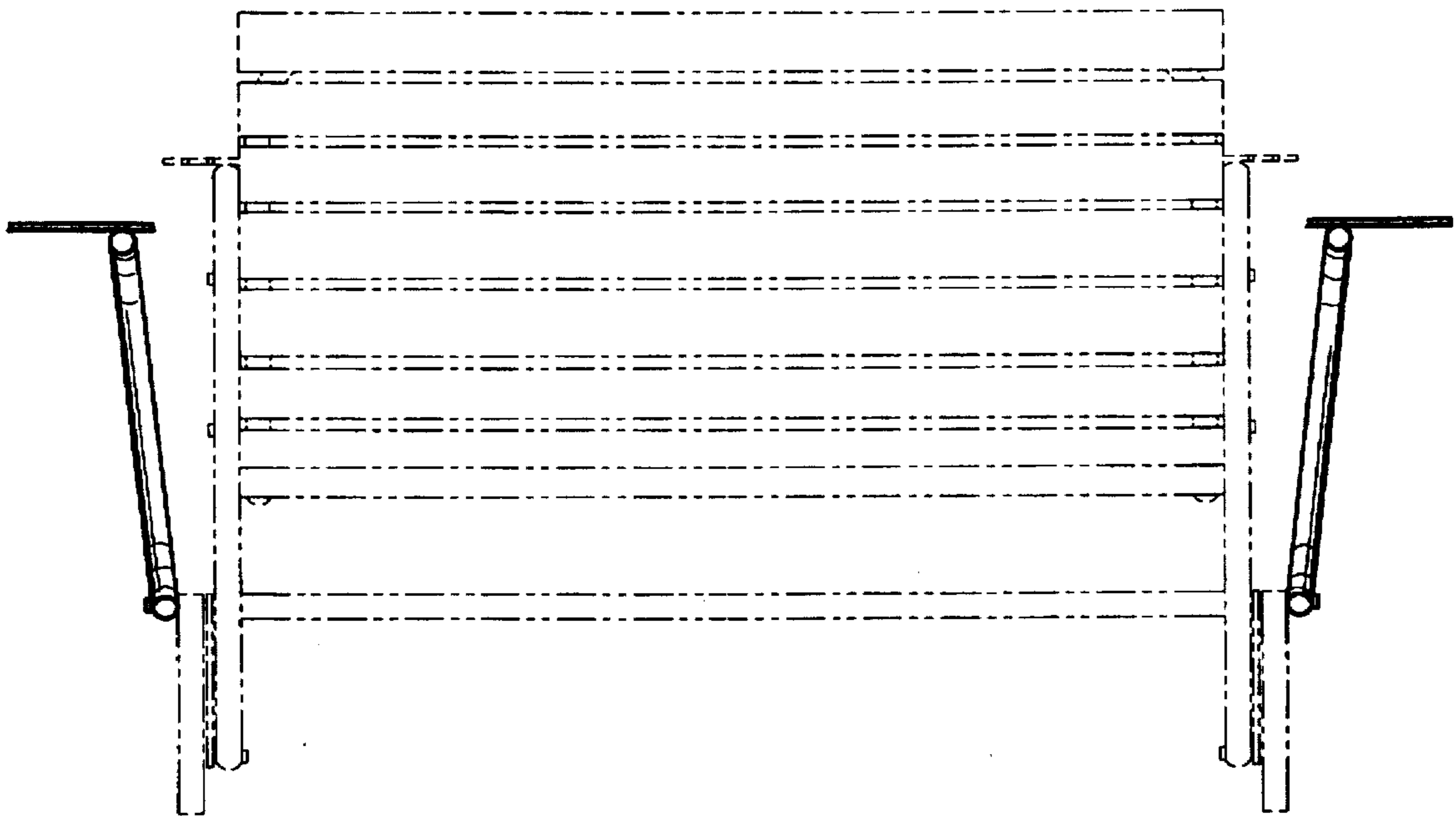


Fig. 3

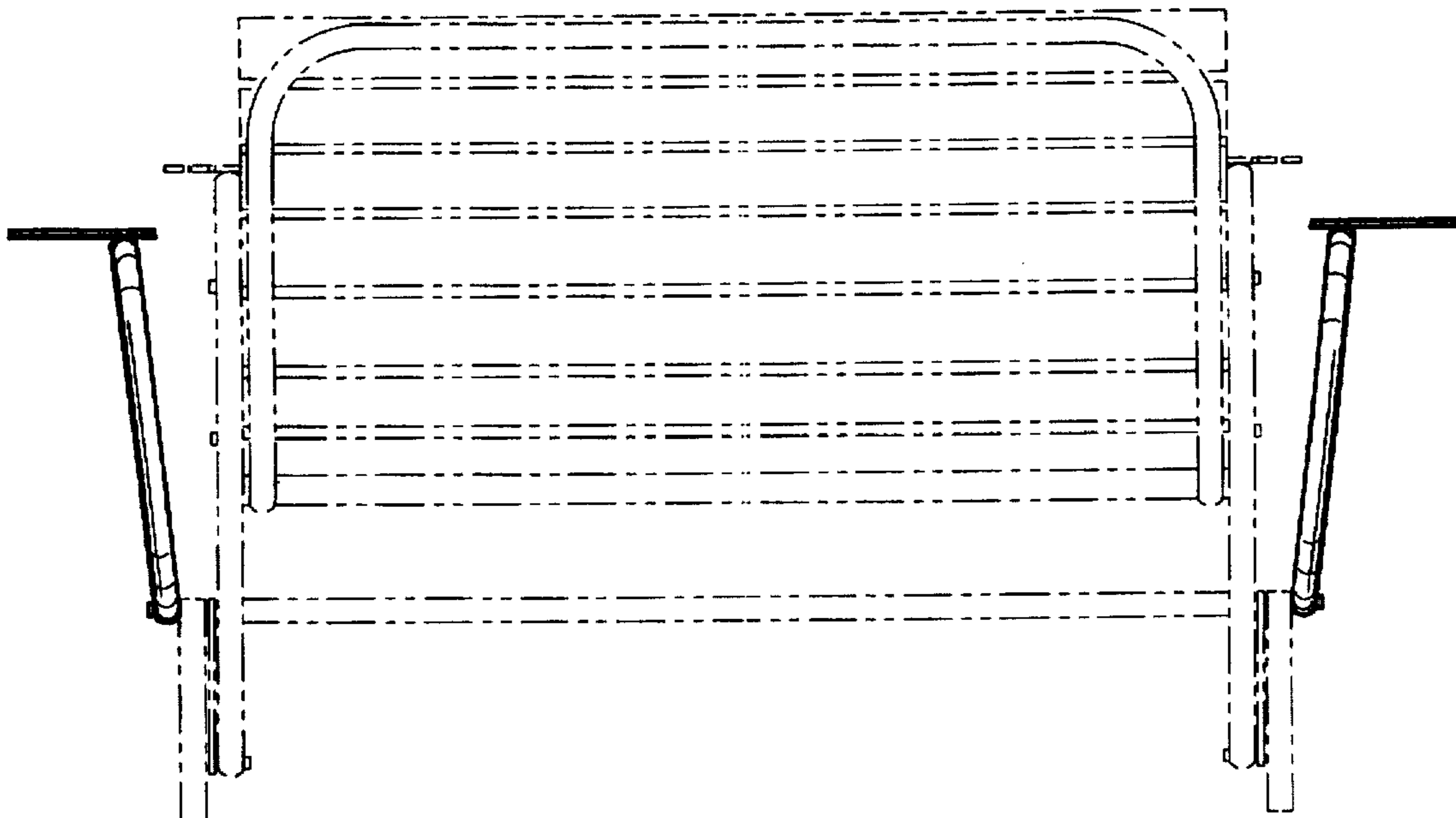


Fig. 4

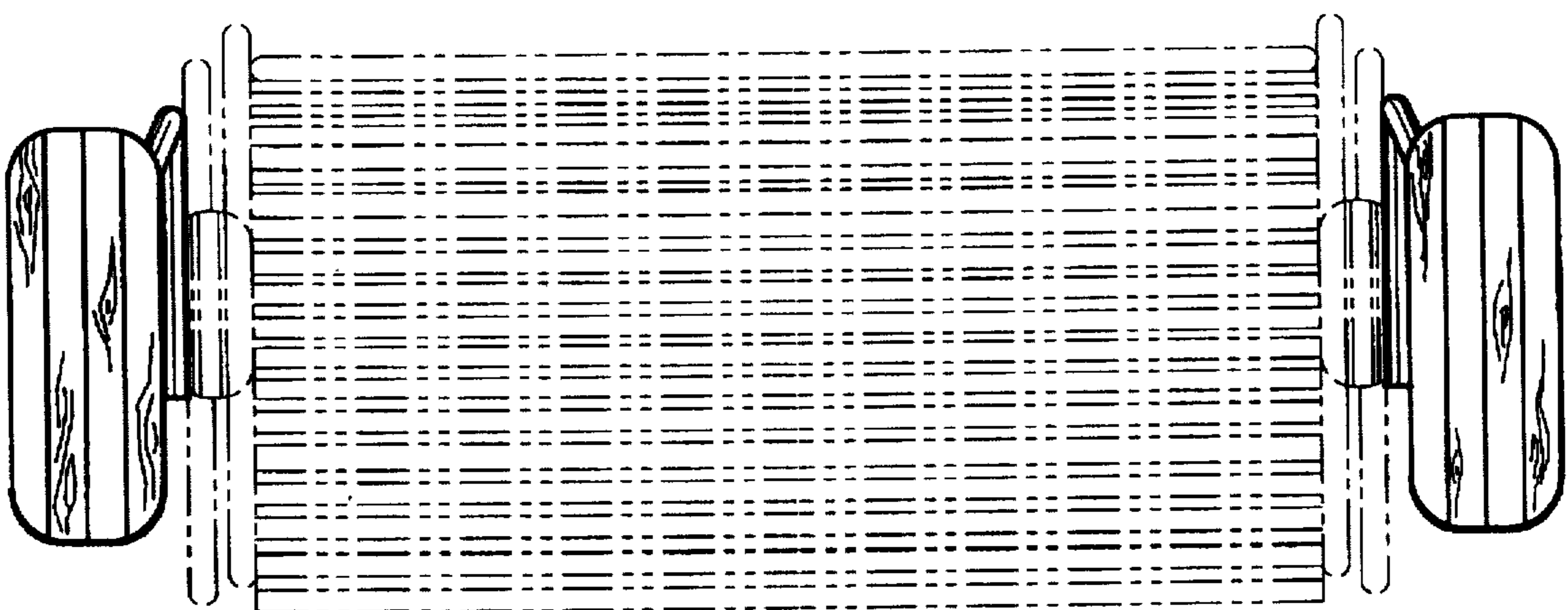


Fig. 5

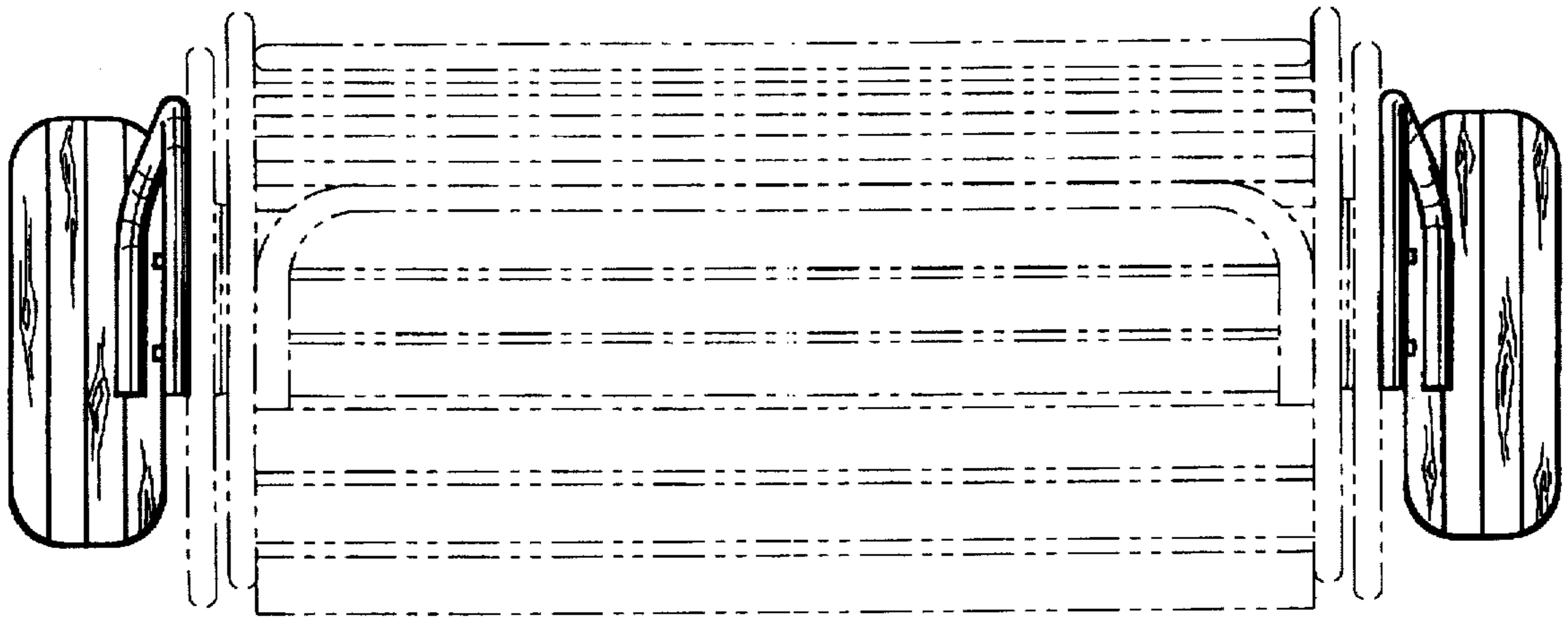


Fig.6