



US00D389673S

United States Patent [19]

Mulvihill

[11] Patent Number: **Des. 389,673**

[45] Date of Patent: ****Jan. 27, 1998**

[54] **MODULAR CANDY BIN DISPLAY SHELF**

[76] Inventor: **Thomas C. Mulvihill**, 59 River Ave.,
Monmouth Beach, N.J. 07750

[**] Term: **14 Years**

[21] Appl. No.: **68,525**

[22] Filed: **Mar. 21, 1997**

[51] LOC (6) Cl. **06-04**

[52] U.S. Cl. **D6/474**

[58] Field of Search D6/474, 477-479,
D6/481; 312/283, 285, 204, 235.1, 278,
107, 114, 117, 140.1, 140.2, 198; 108/59,
60, 64, 91-93, 180; 211/13.1, 1, 49.1, 52,
72, 86, 134, 186, 153, 189

[56] **References Cited**

U.S. PATENT DOCUMENTS

D. 118,294 12/1939 Trojan 211/134 X
D. 143,333 12/1945 MacPherson D6/474

D. 152,371 1/1949 Schick 312/140.1 X
D. 354,870 1/1995 Oliver et al. D6/474
D. 380,319 7/1997 Sica et al. D6/474

Primary Examiner—James Gandy
Assistant Examiner—Linda Brooks
Attorney, Agent, or Firm—Charles I. Brodsky

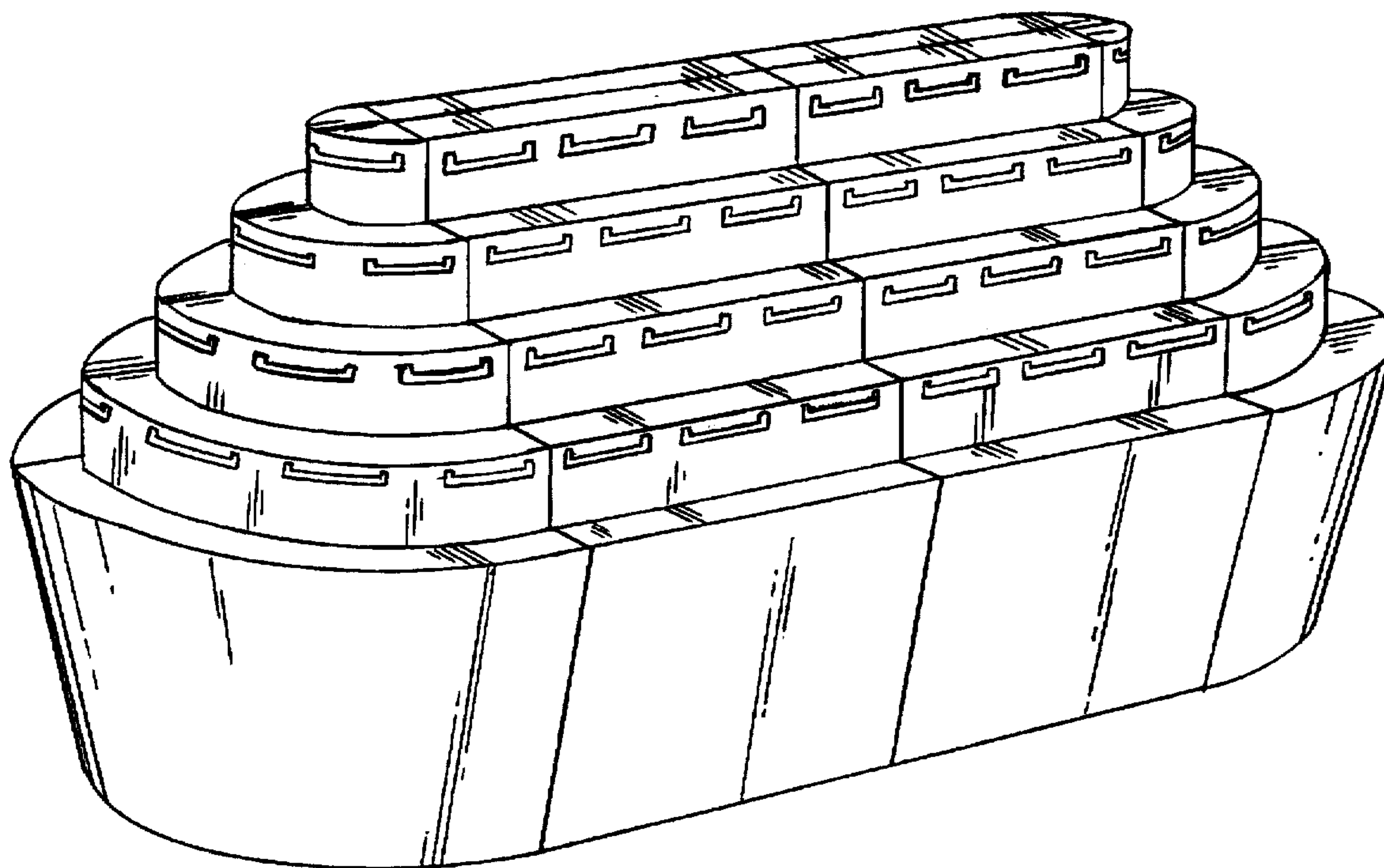
[57] **CLAIM**

The ornamental design for a modular candy bin display shelf, as shown and described.

DESCRIPTION

FIG. 1 is a perspective view of a modular candy bin display shelf showing my new design;
FIG. 2 is a front elevation view thereof, a rear elevation view being a mirror image;
FIG. 3 is a left side elevation view, a right side elevation view being a mirror image;
FIG. 4 is a top plan view showing my new design; and,
FIG. 5 is a bottom plan view.

1 Claim, 5 Drawing Sheets



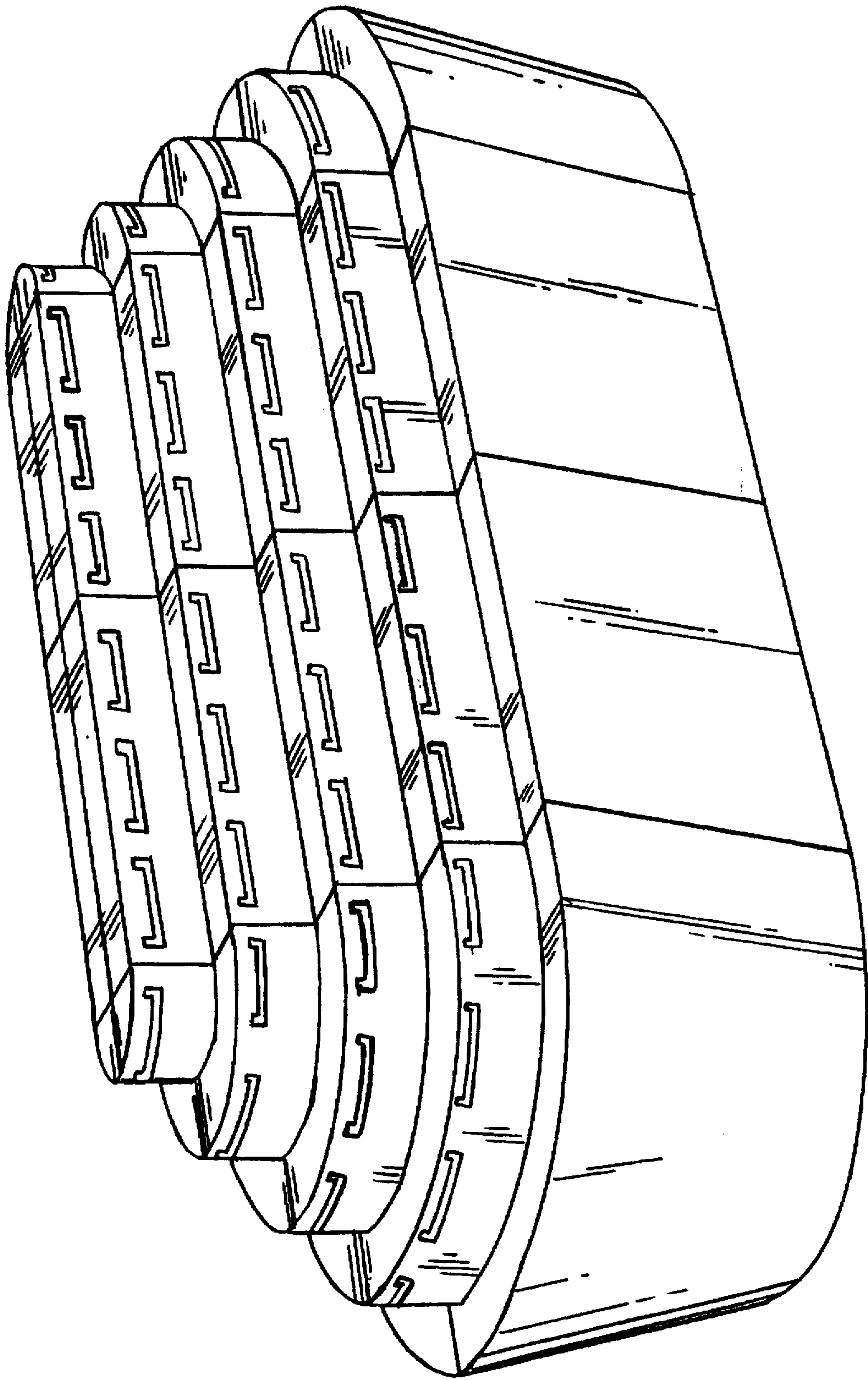


FIG. 1

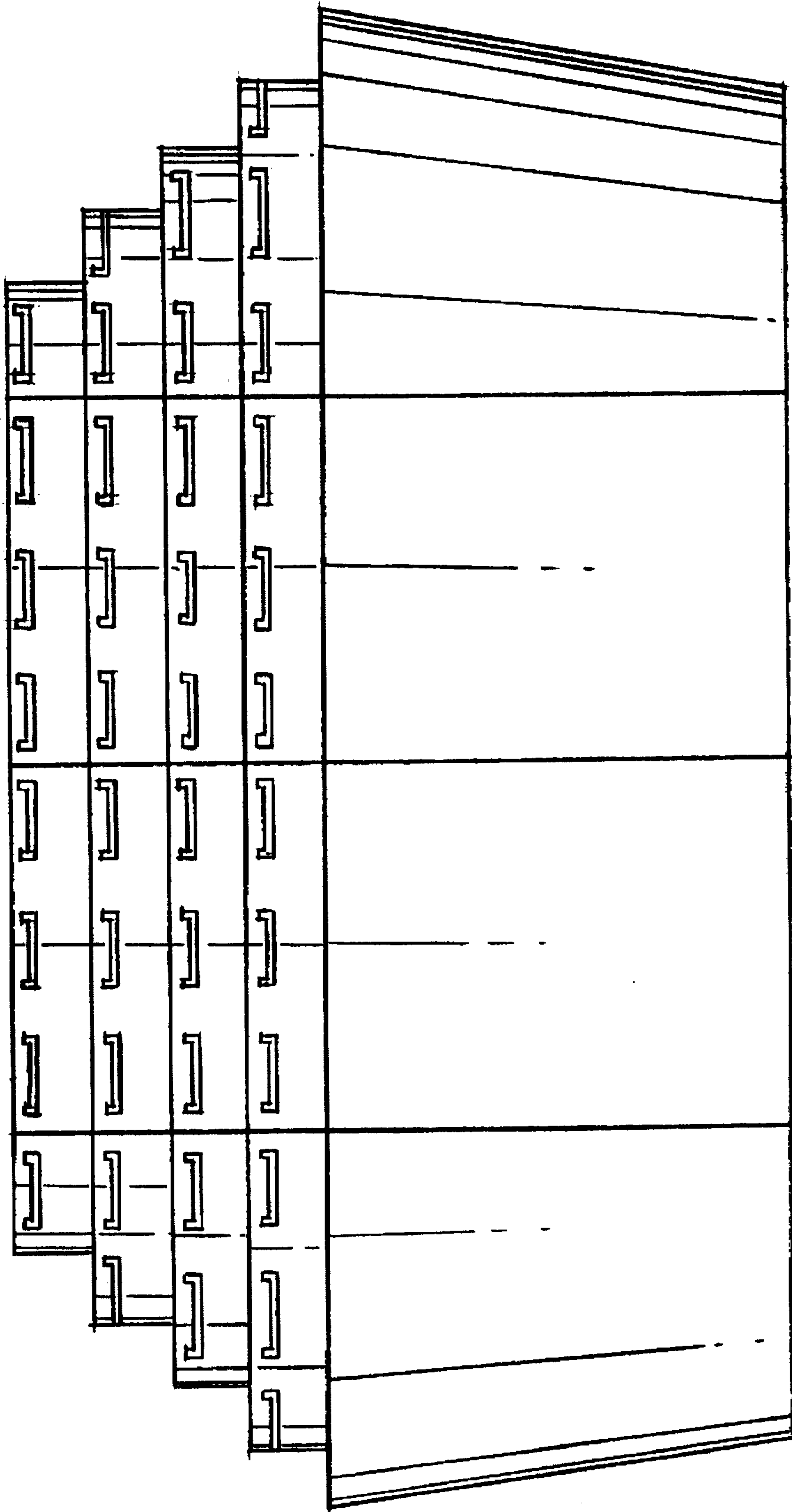


FIG. 2

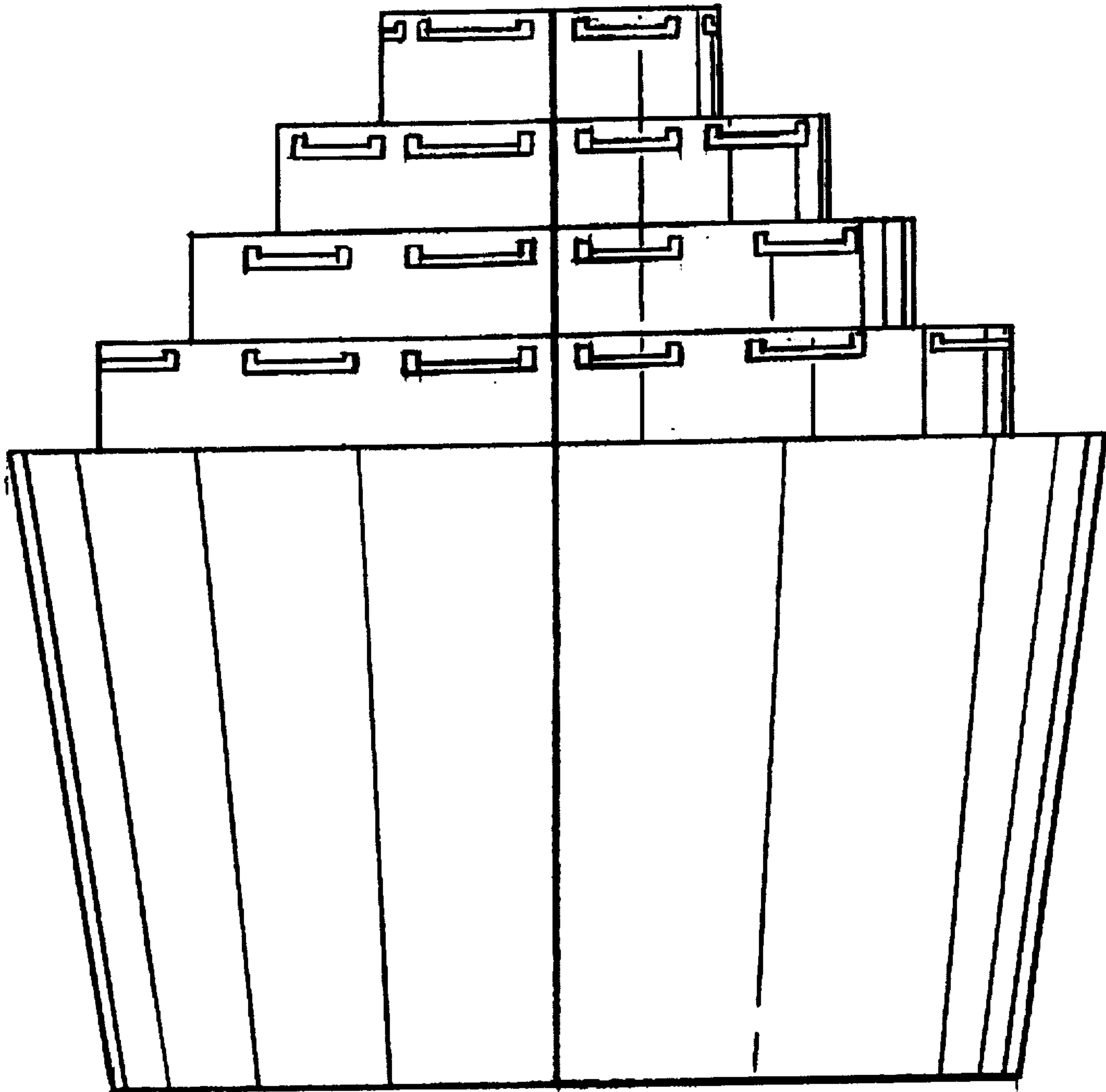


FIG. 3

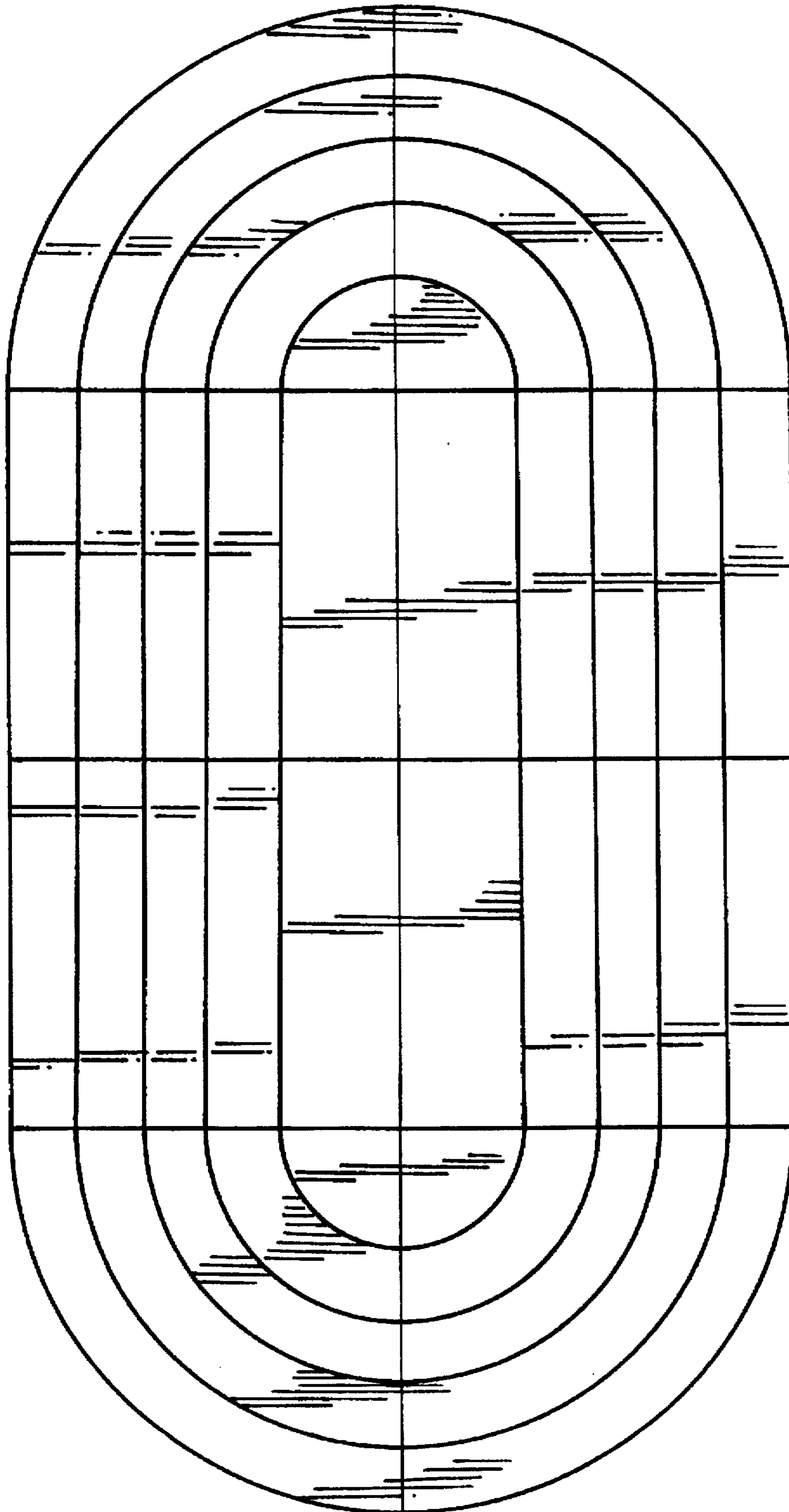


FIG. 4

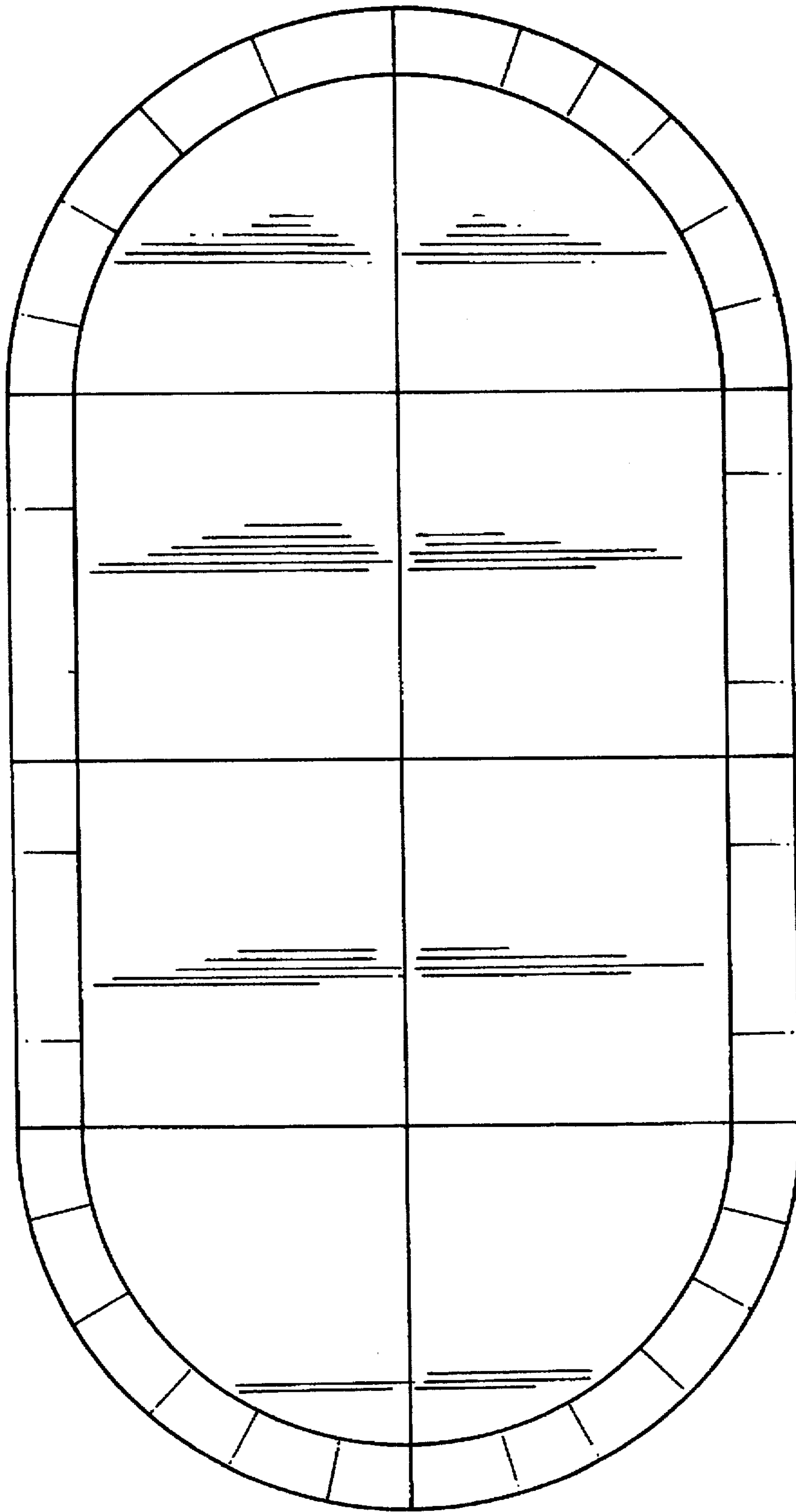


FIG. 5