



US00D389665S

United States Patent [19]

Ackerman

[11] Patent Number: **Des. 389,665**

[45] Date of Patent: ****Jan. 27, 1998**

[54] **PORTABLE PICNIC TRAY DEVICE**

[76] Inventor: **Jeff Ackerman**, P.O. Box 353,
Quilcene, Wash. 98376

[**] Term: **14 Years**

[21] Appl. No.: **64,111**

[22] Filed: **Dec. 23, 1996**

[51] LOC (6) Cl. **06-06**

[52] U.S. Cl. **D6/406; D7/553; D3/229**

[58] Field of Search **D6/406, 420, 511,
D6/419; D12/415, 416, 133, 528; D7/698,
555, 553; D3/229; 224/926, 540, 625, 679,
270; 108/43, 44; 297/148**

[56] **References Cited**

U.S. PATENT DOCUMENTS

D. 247,765	4/1978	Pariante	D7/553
D. 346,310	4/1994	Schlesier et al.	D7/553 X
D. 356,009	3/1995	Branch et al.	D7/555 X
D. 377,275	1/1997	Diletto	D6/406 X
1,263,213	4/1918	Ireland et al.	224/270
1,569,157	1/1926	Thompson	D3/229 X

2,663,603	12/1953	Newman	D6/406 X
3,061,390	10/1962	Walshet Al	D6/406 X
3,541,976	11/1970	Rozas	224/645 X
5,081,936	1/1992	Drieling	D6/406 X
5,421,499	6/1995	Bauer	108/43 X

Primary Examiner—M. N. Pandozzi

[57] **CLAIM**

The ornamental design for a portable picnic tray device, as shown and described.

DESCRIPTION

FIG. 1 is a front elevational view of a portable picnic tray device showing my new design;
 FIG. 2 is a rear elevational view thereof;
 FIG. 3 is a left side elevational view thereof;
 FIG. 4 is a right side elevational view thereof;
 FIG. 5 is a top plan view of the portable picnic tray device of FIG. 1;
 FIG. 6 is a bottom plan view of the portable picnic tray device of FIG. 1; and,
 FIG. 7 is a sectional view taken along line 7—7 of FIG. 5.

1 Claim, 3 Drawing Sheets

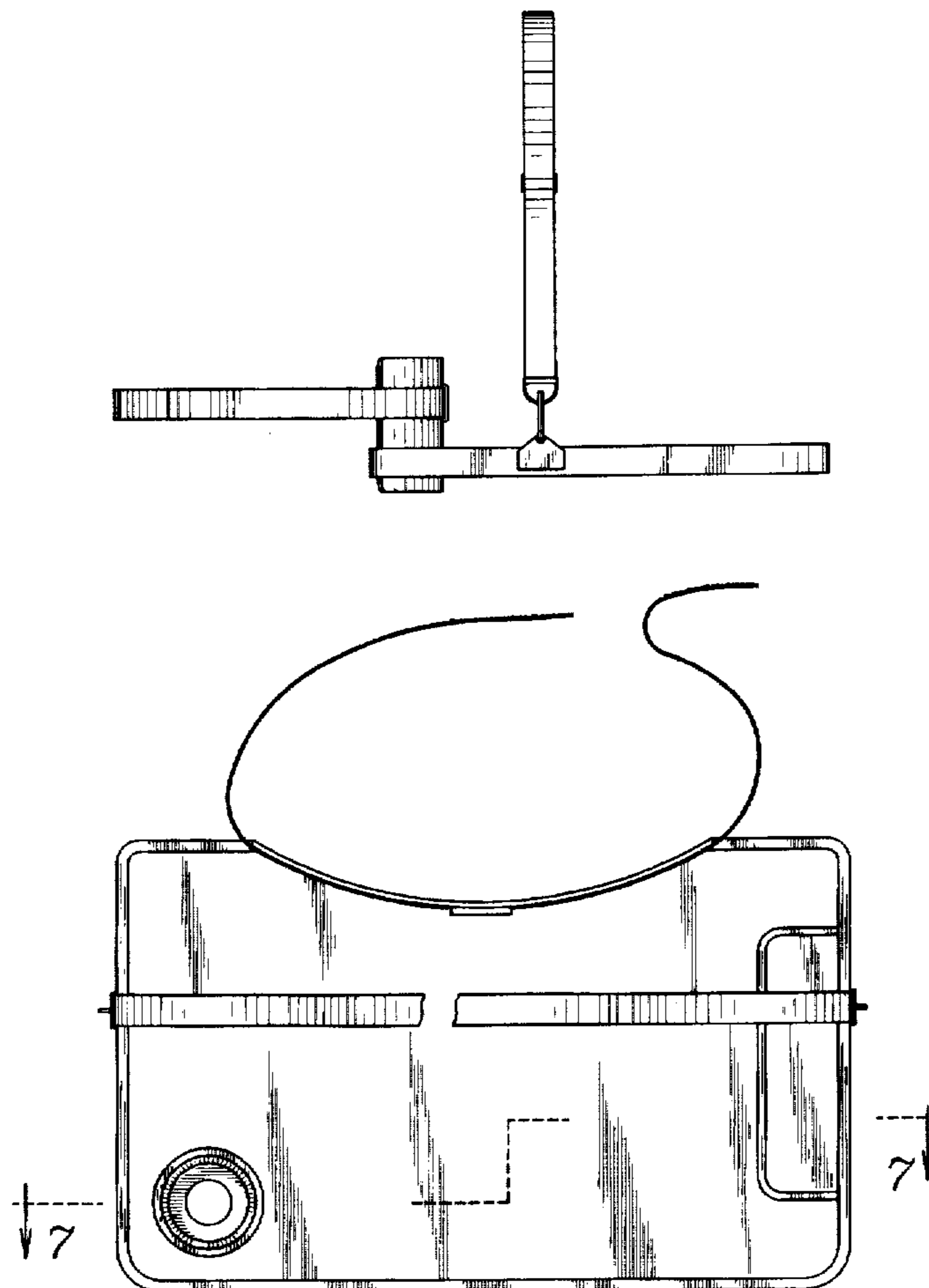


FIG. 1

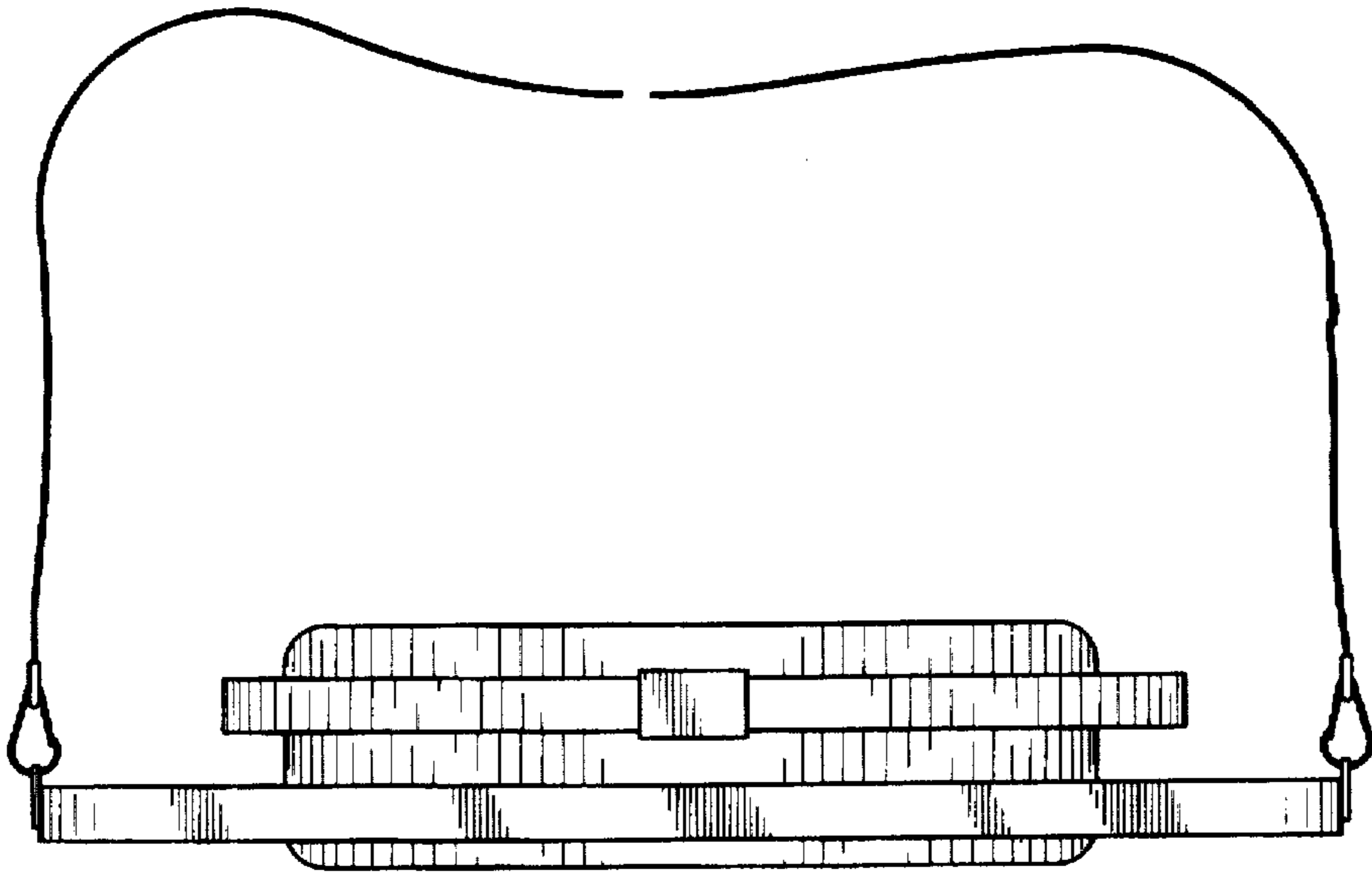


FIG. 2

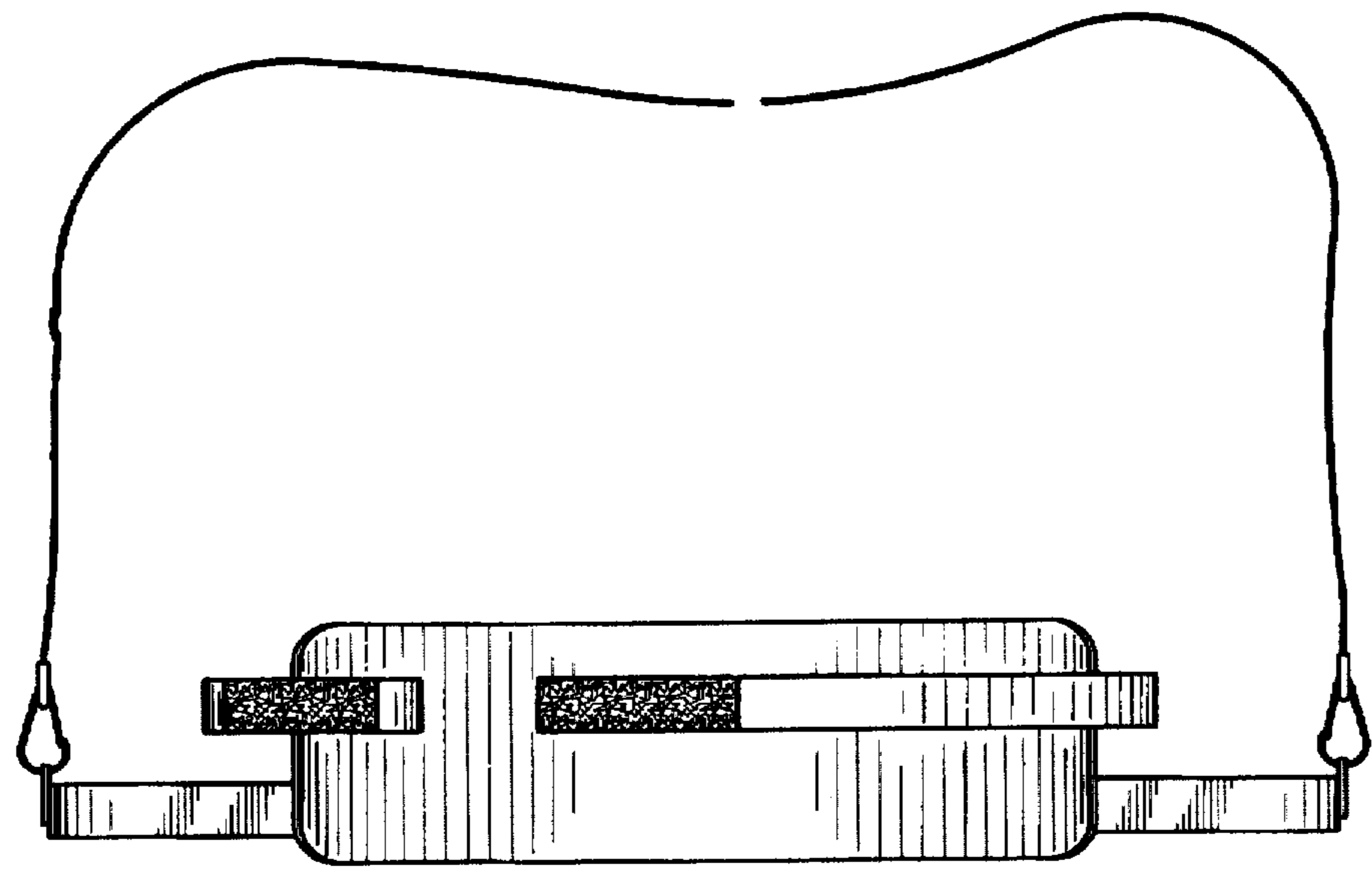


FIG. 3

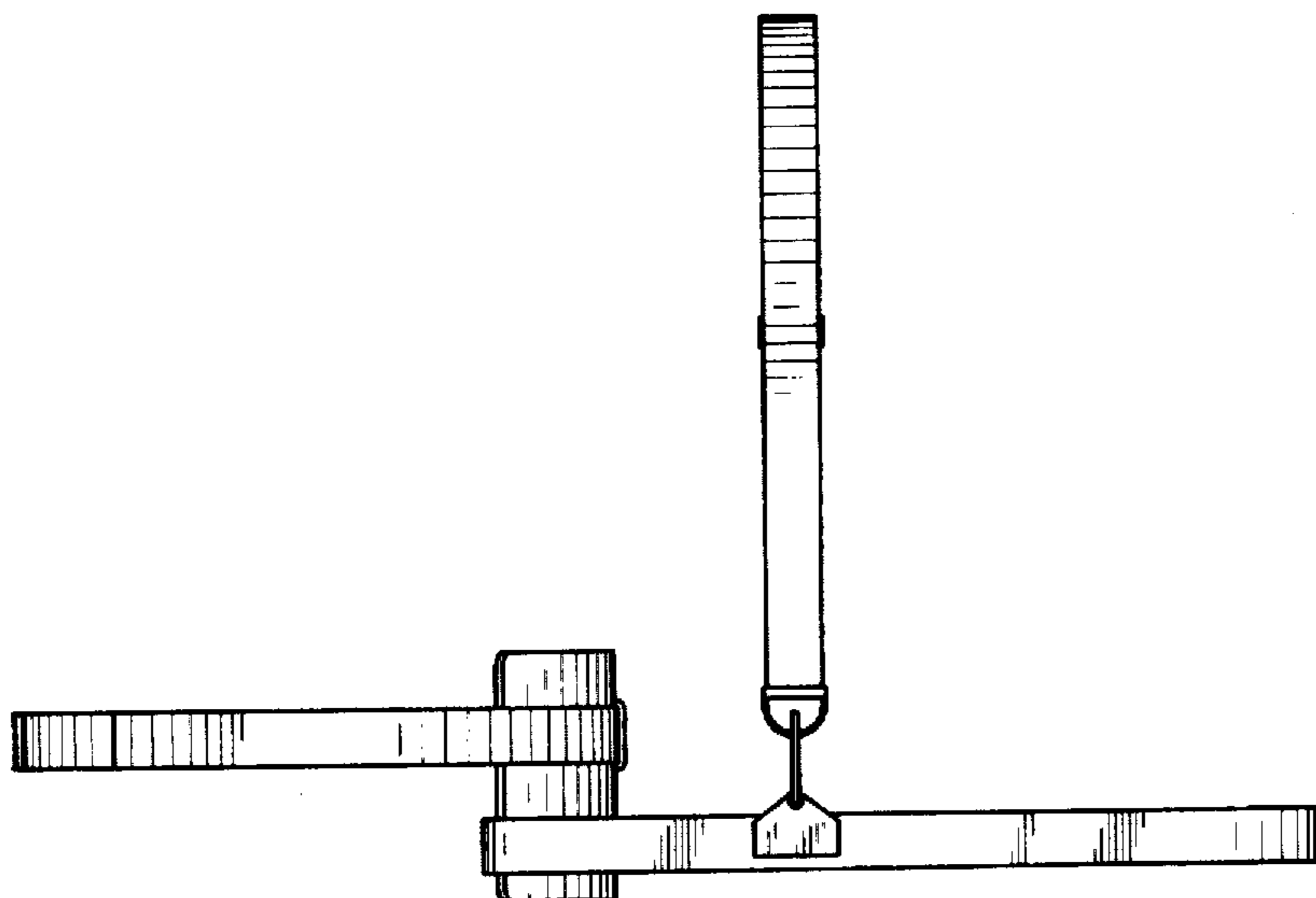


FIG. 4

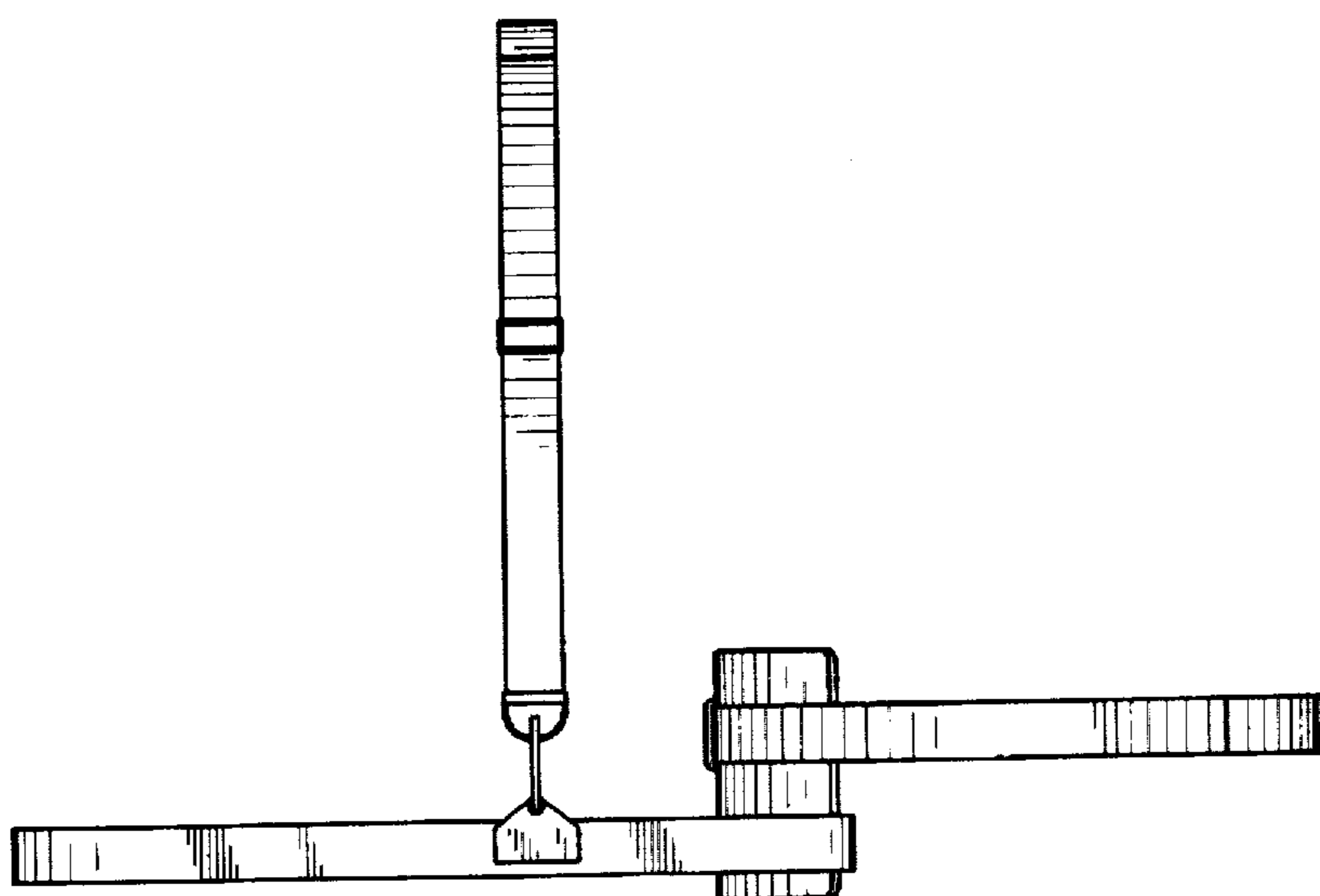


FIG. 5

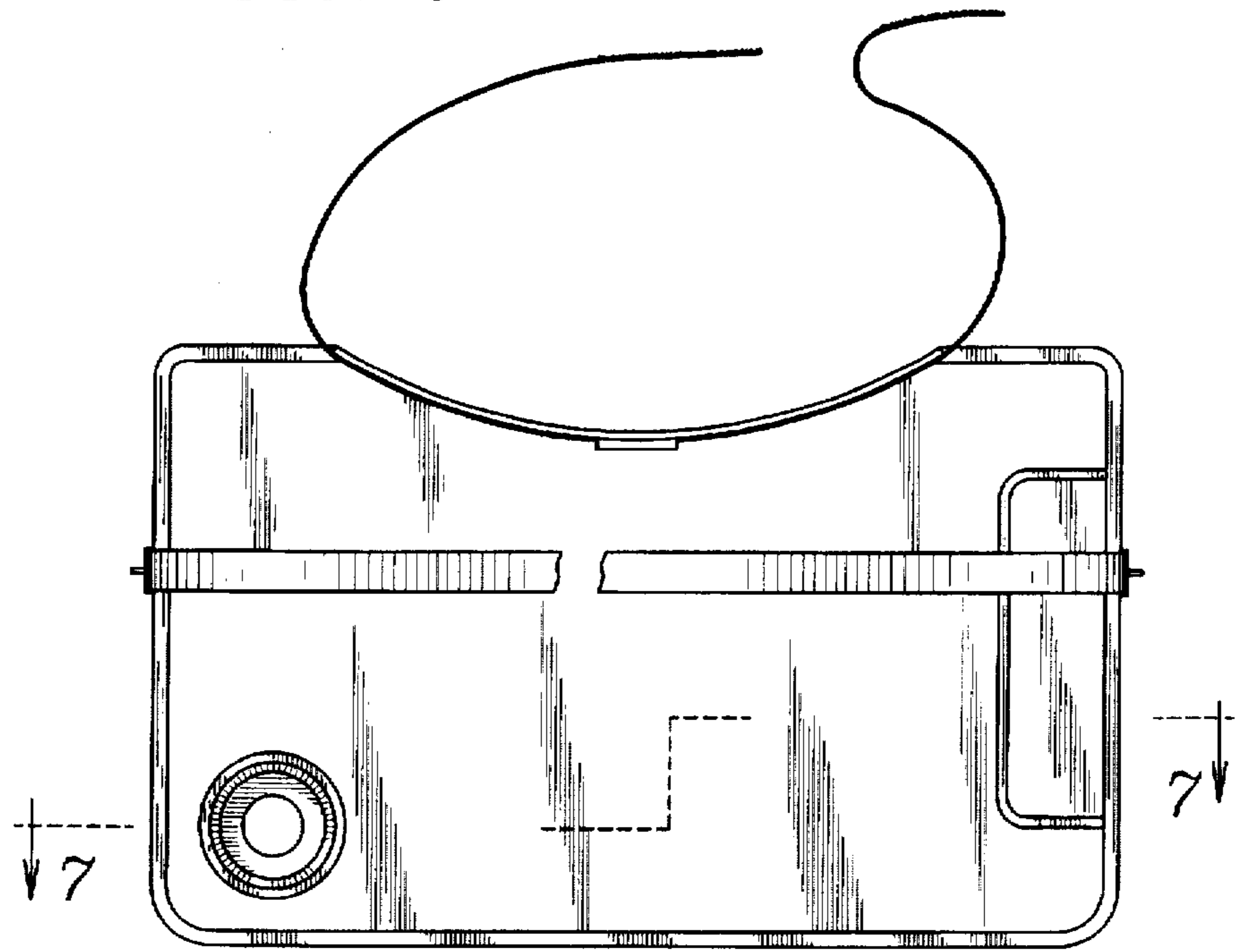


FIG. 6

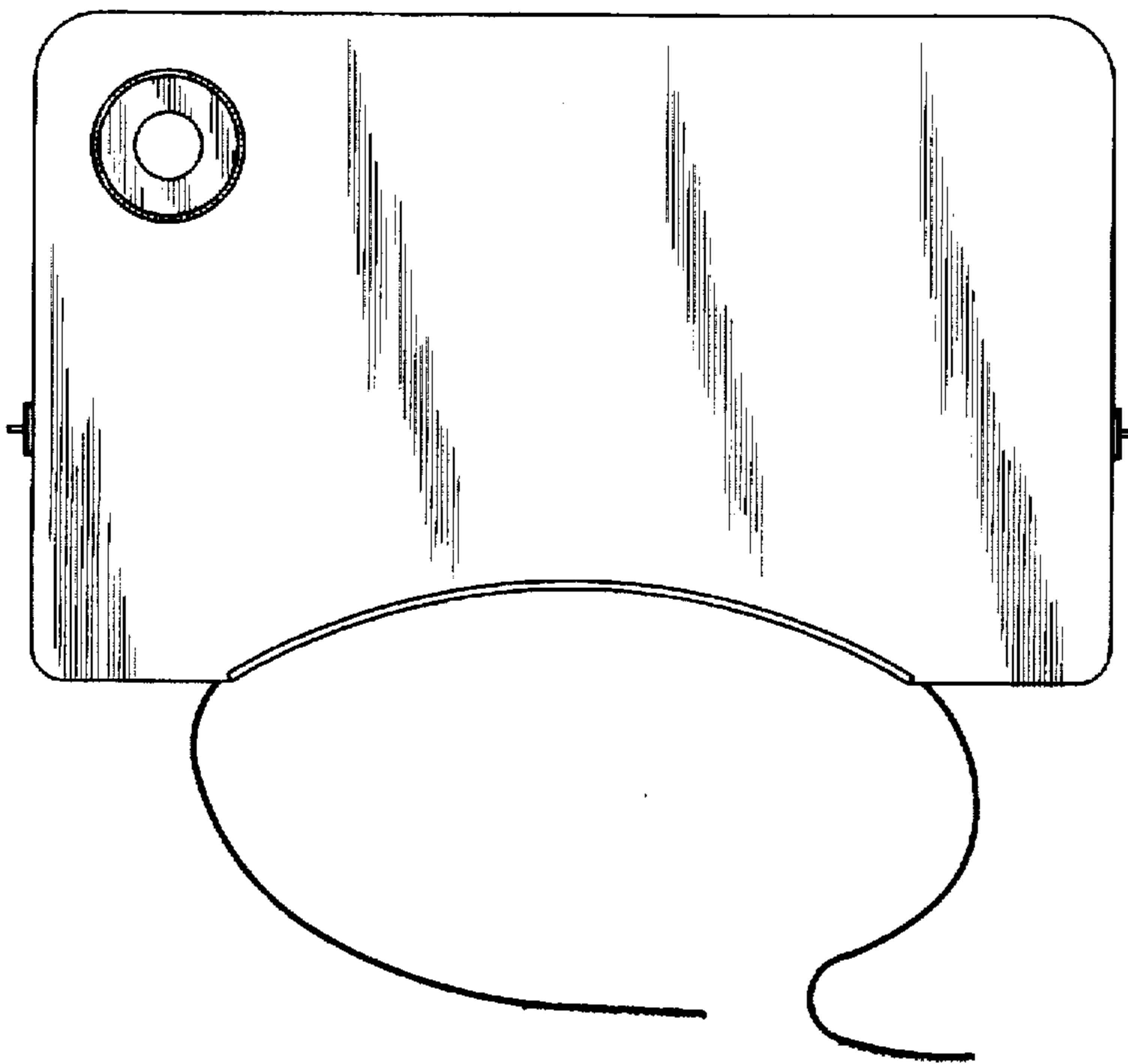


FIG. 7

