



US00D389664S

United States Patent [19]
Kotkosky

[11] **Patent Number: Des. 389,664**
[45] **Date of Patent: **Jan. 27, 1998**

[54] **DESTOP PODIUM AND COMPUTER STATION**

[76] **Inventor: Stan J. Kotkosky, 16422 Gentry La., Huntington Beach, Calif. 92647**

[**] **Term: 14 Years**

[21] **Appl. No.: 40,387**

[22] **Filed: Jun. 16, 1995**

[51] **LOC (6) Cl. 06-04**

[52] **U.S. Cl. D6/397; D6/419; D6/425; D6/426**

[58] **Field of Search D6/396, 397, 398, D6/419-431; D16/232, 233, 235; D14/103; 312/99.1, 223.2, 23.3, 194-196; 108/50**

[56] **References Cited**

U.S. PATENT DOCUMENTS

D. 187,164 2/1960 Fitz D16/232
D. 208,709 9/1967 Barecki D16/232 X

D. 211,885 8/1968 Korman D16/232
D. 364,049 11/1995 Lechman D6/419
3,367,290 2/1968 Barecki 108/50
3,373,703 3/1968 Barecki 108/50

Primary Examiner—Carmen H. Vales-Lado
Attorney, Agent, or Firm—Dennis W. Beech

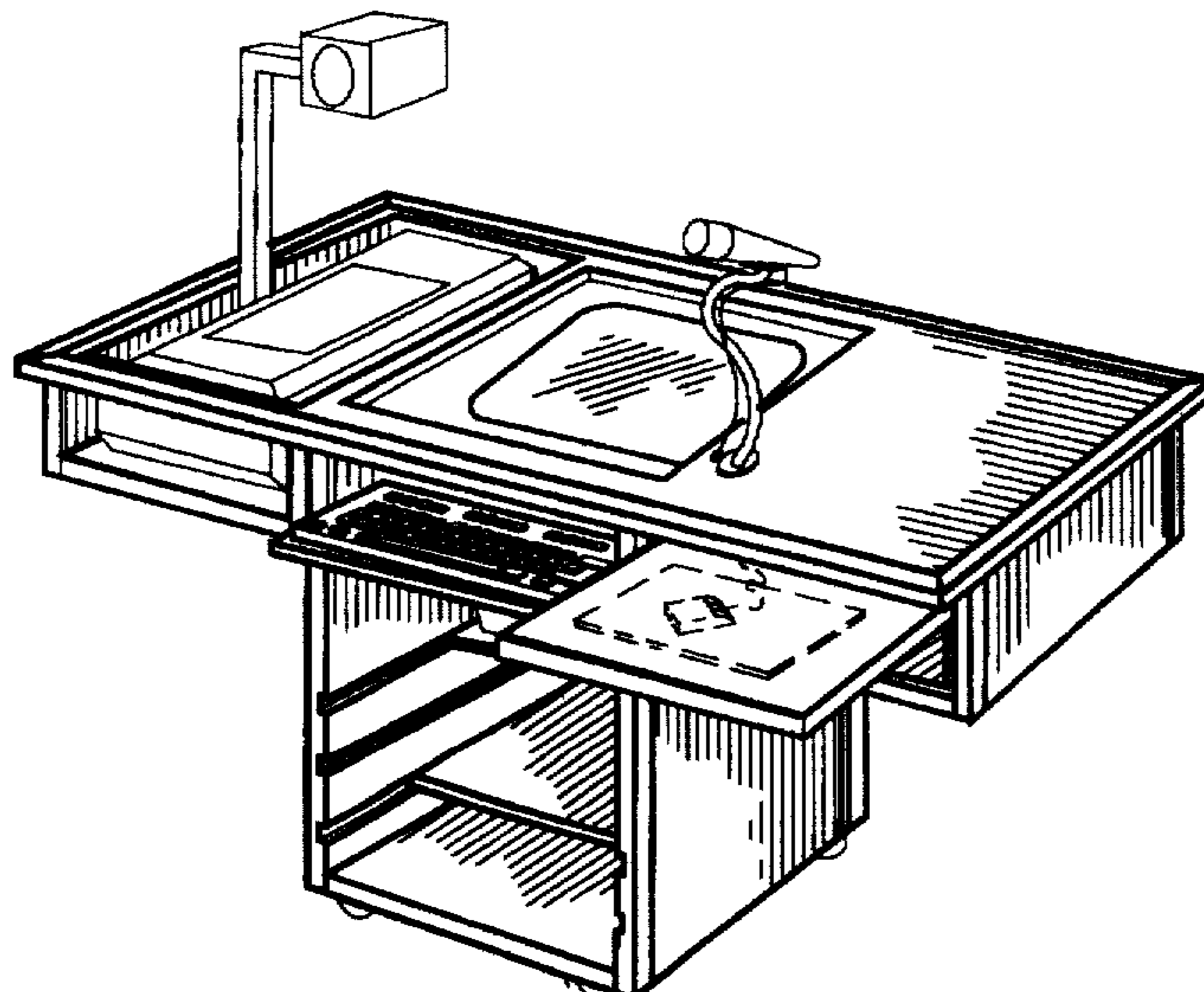
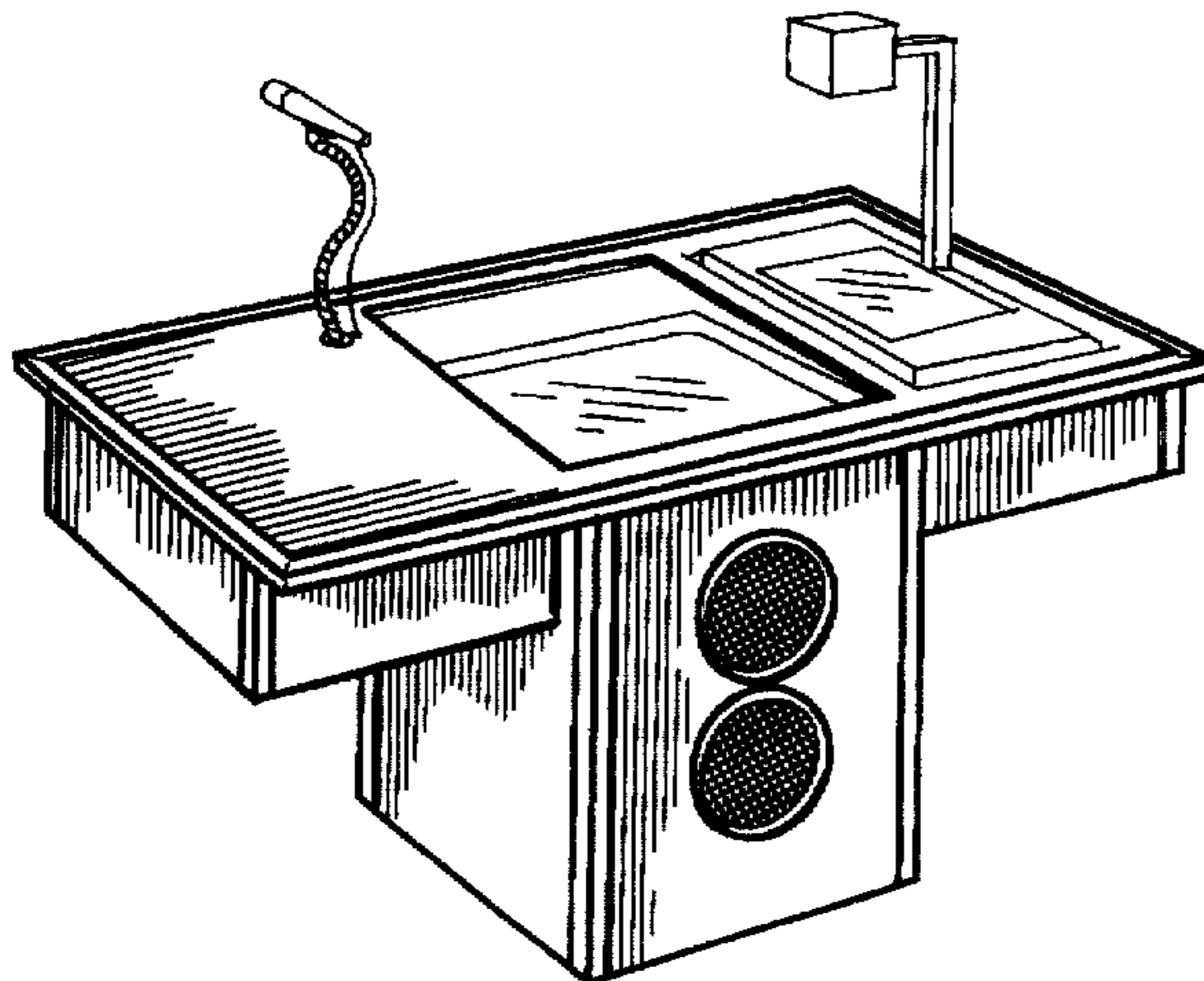
[57] **CLAIM**

The ornamental design for a desktop podium and computer station, as shown and described.

DESCRIPTION

FIG. 1 is a front elevational view of a desktop podium and computer workstation showing my new design; FIG. 2 is a right side elevational view thereof; FIG. 3 is a rear elevational view thereof; FIG. 4 is a left side elevational view thereof; FIG. 5 is a bottom plan view thereof; FIG. 6 is a top plan view thereof; FIG. 7 is a front perspective view thereof; and, FIG. 8 is a rear perspective view thereof.

1 Claim, 5 Drawing Sheets



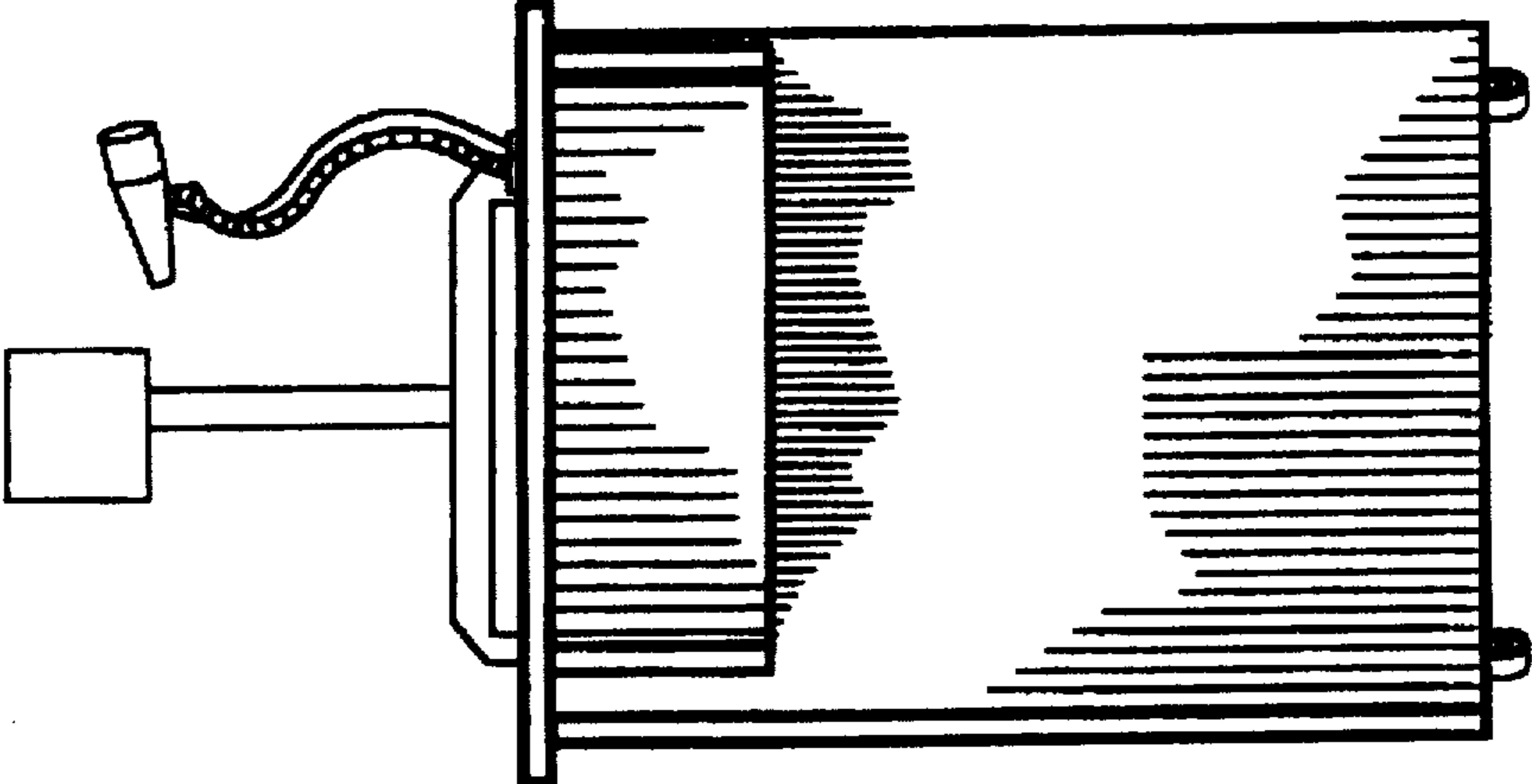


FIG. 2

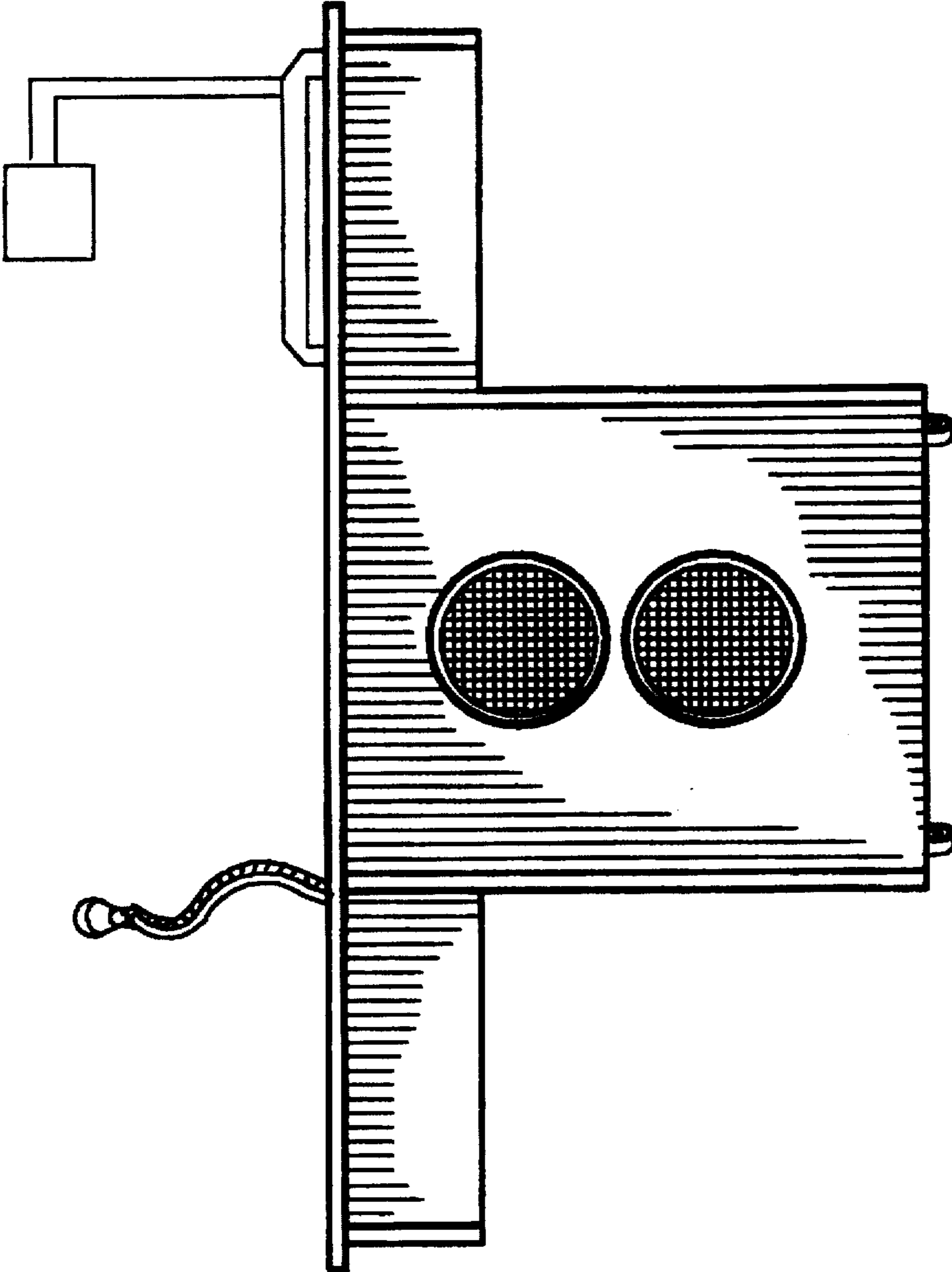


FIG. 1

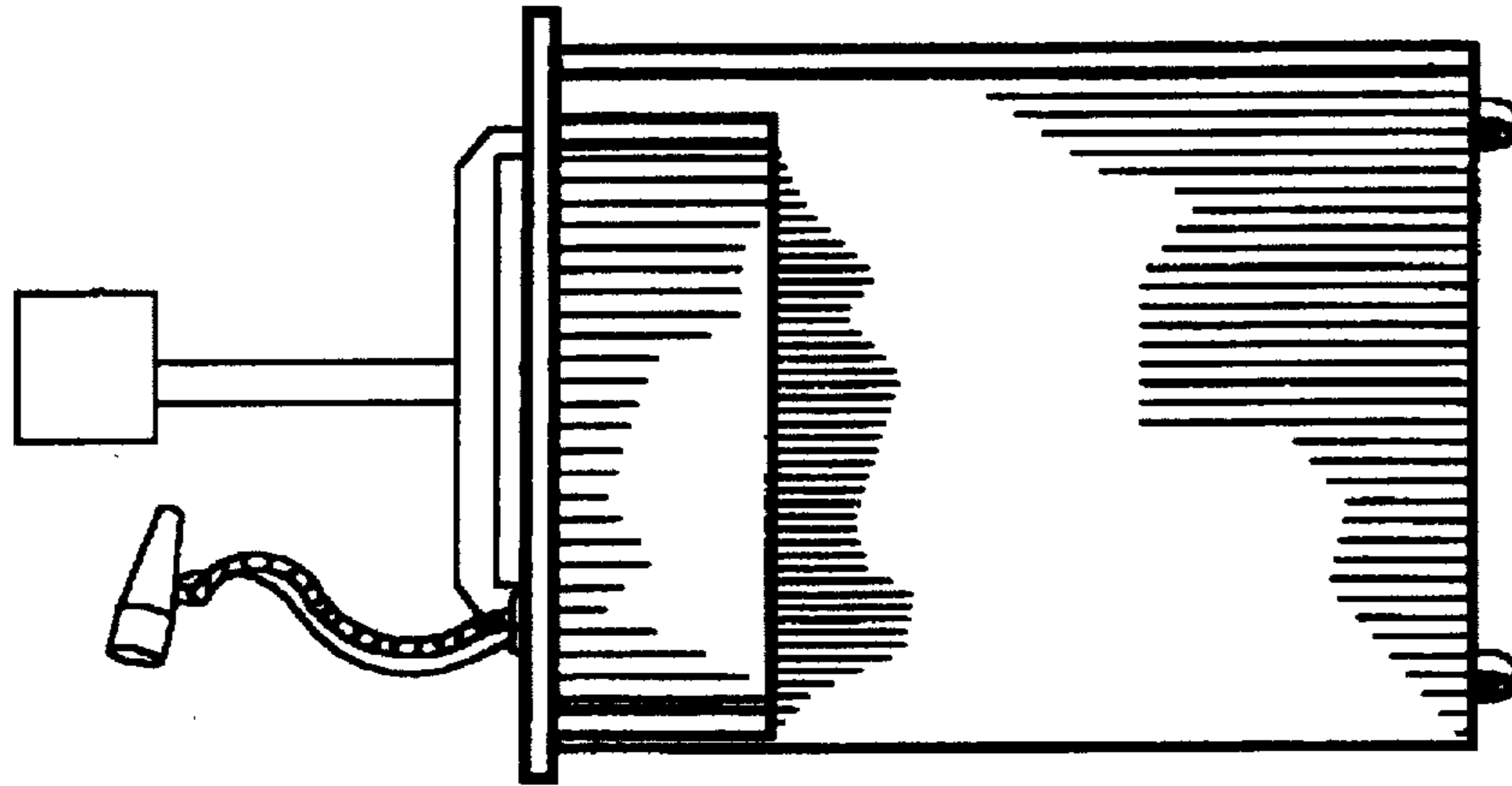


FIG. 4

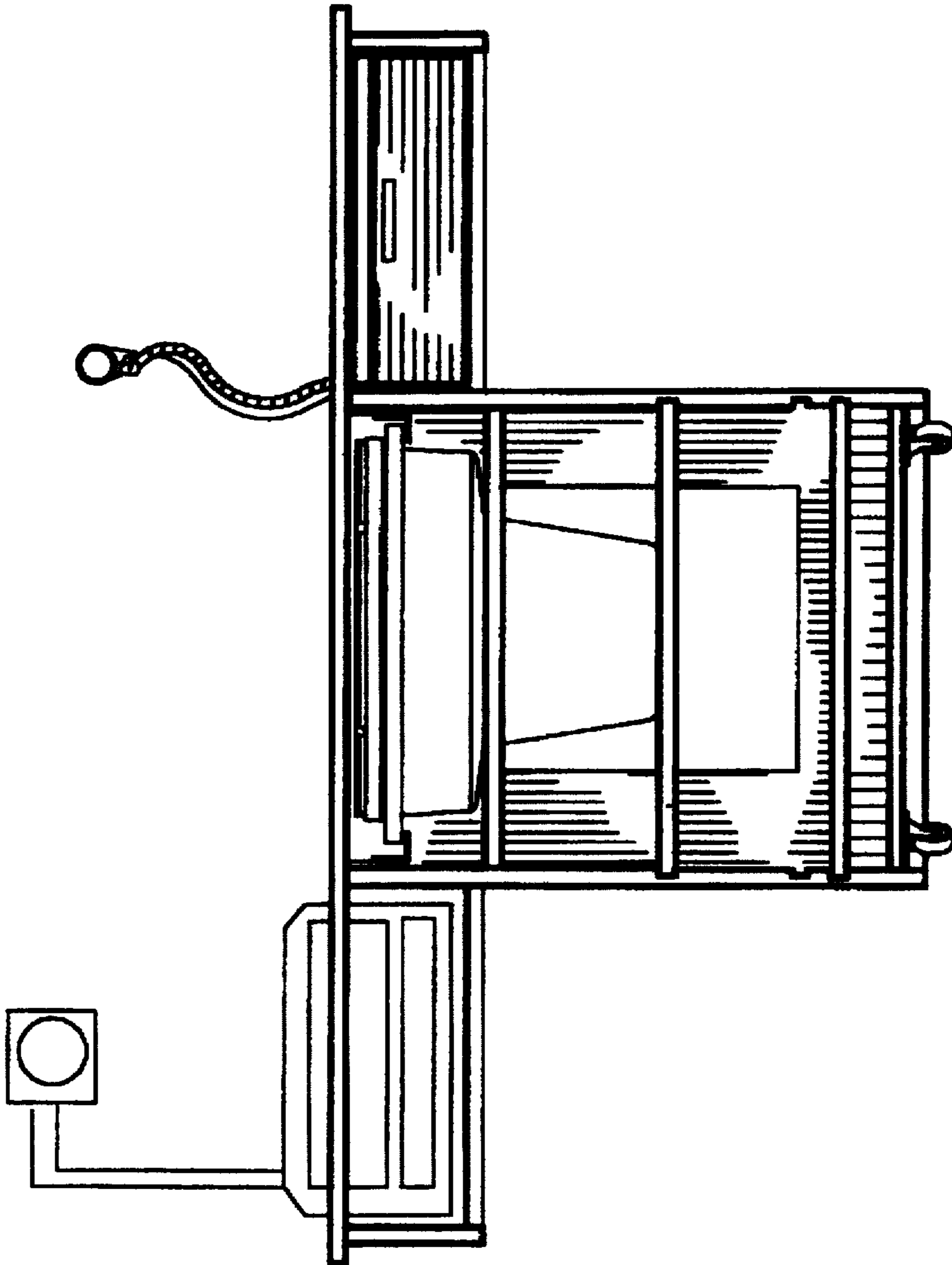


FIG. 3

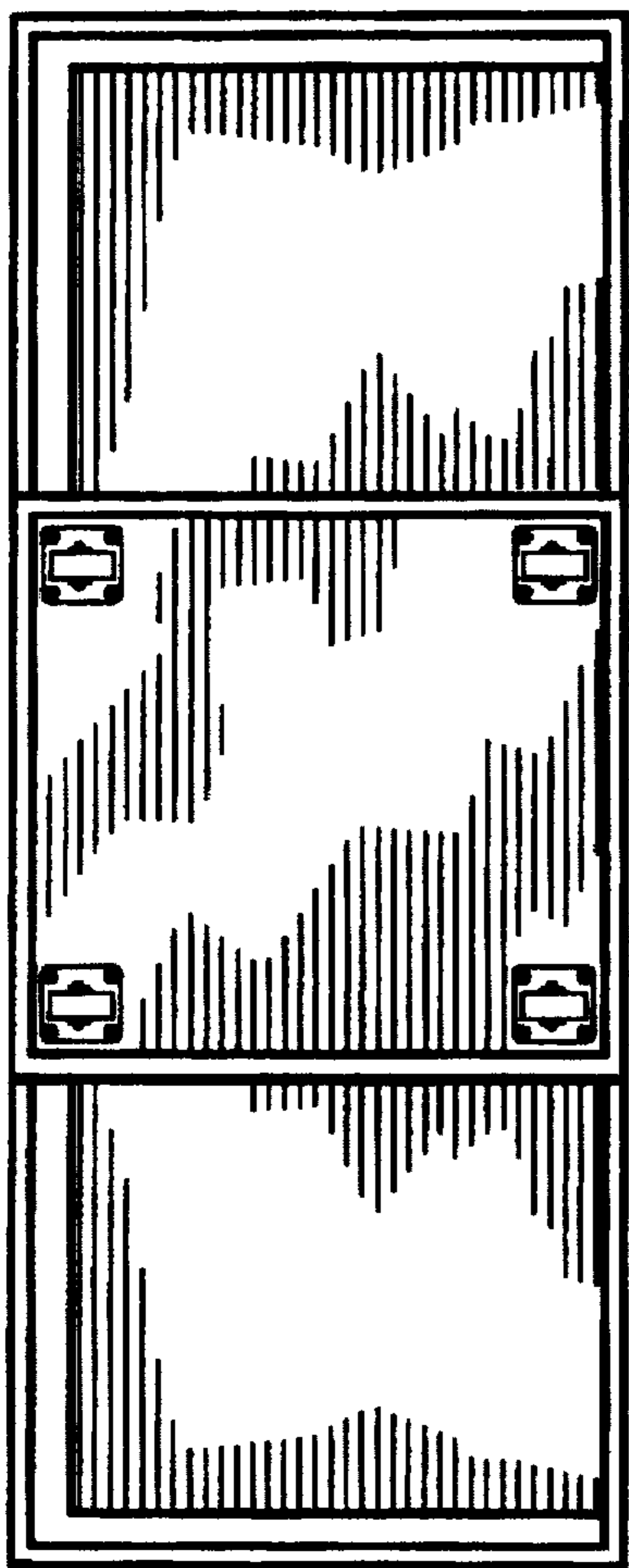
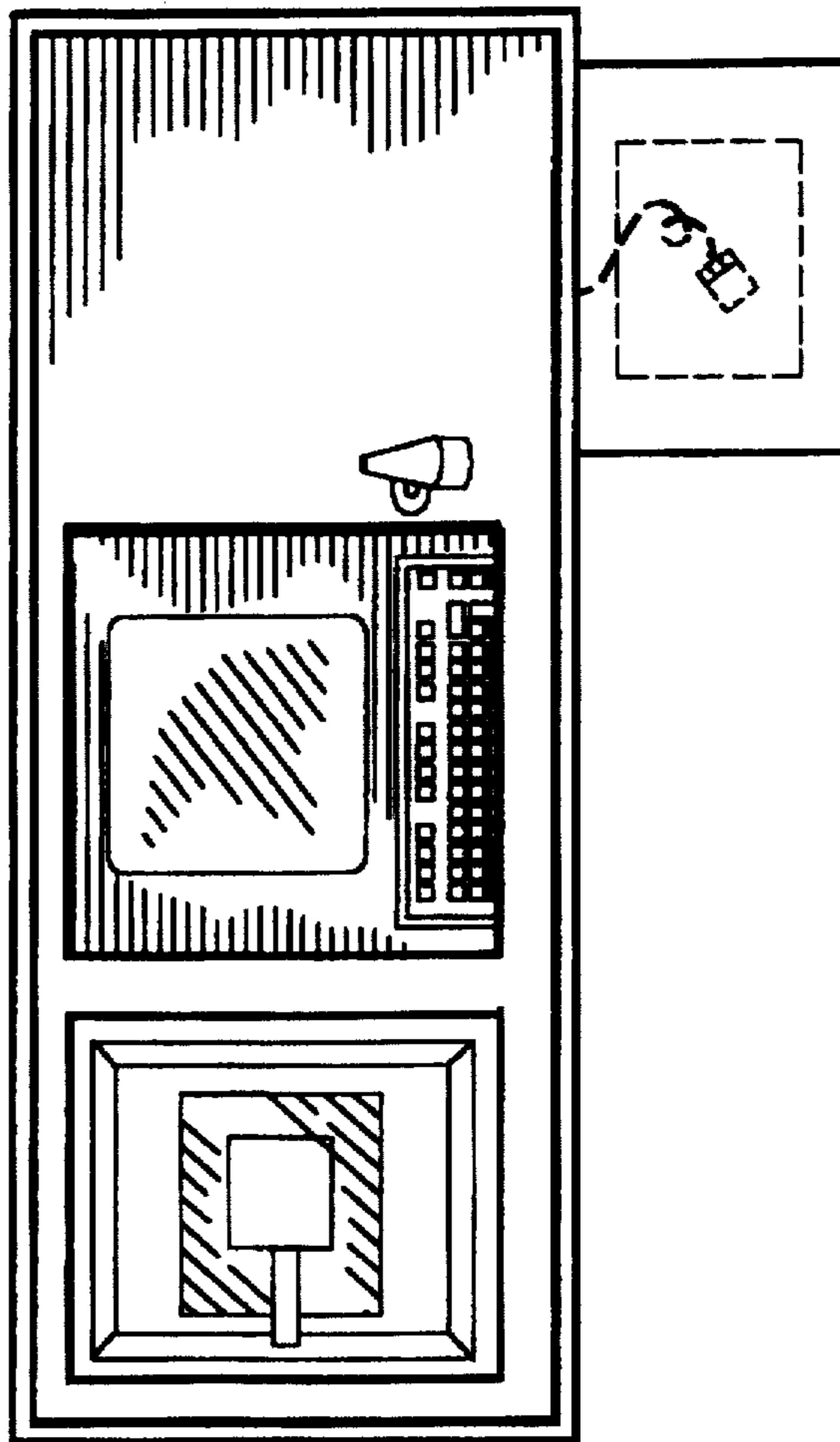


FIG. 5

FIG. 6



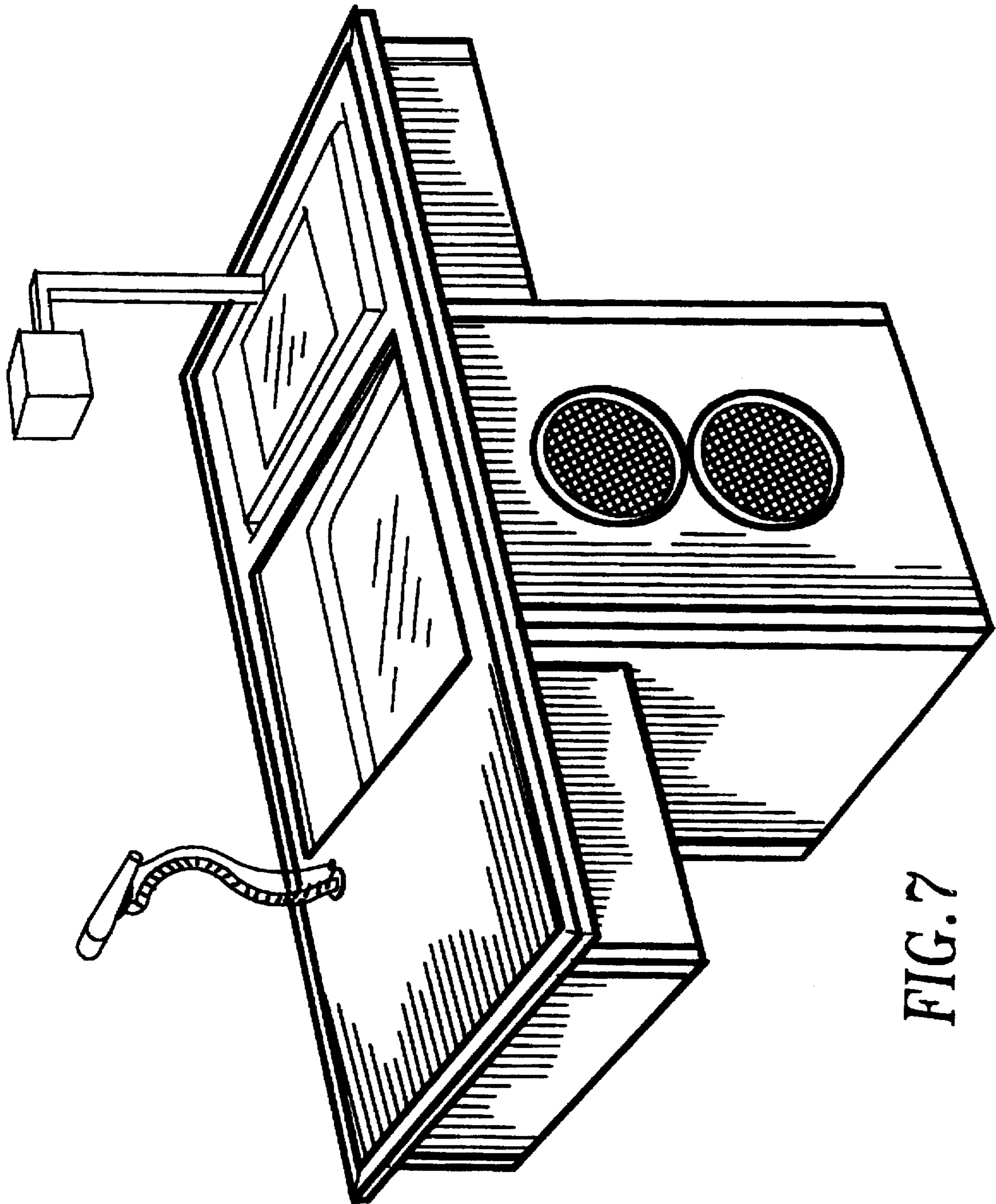


FIG. 7

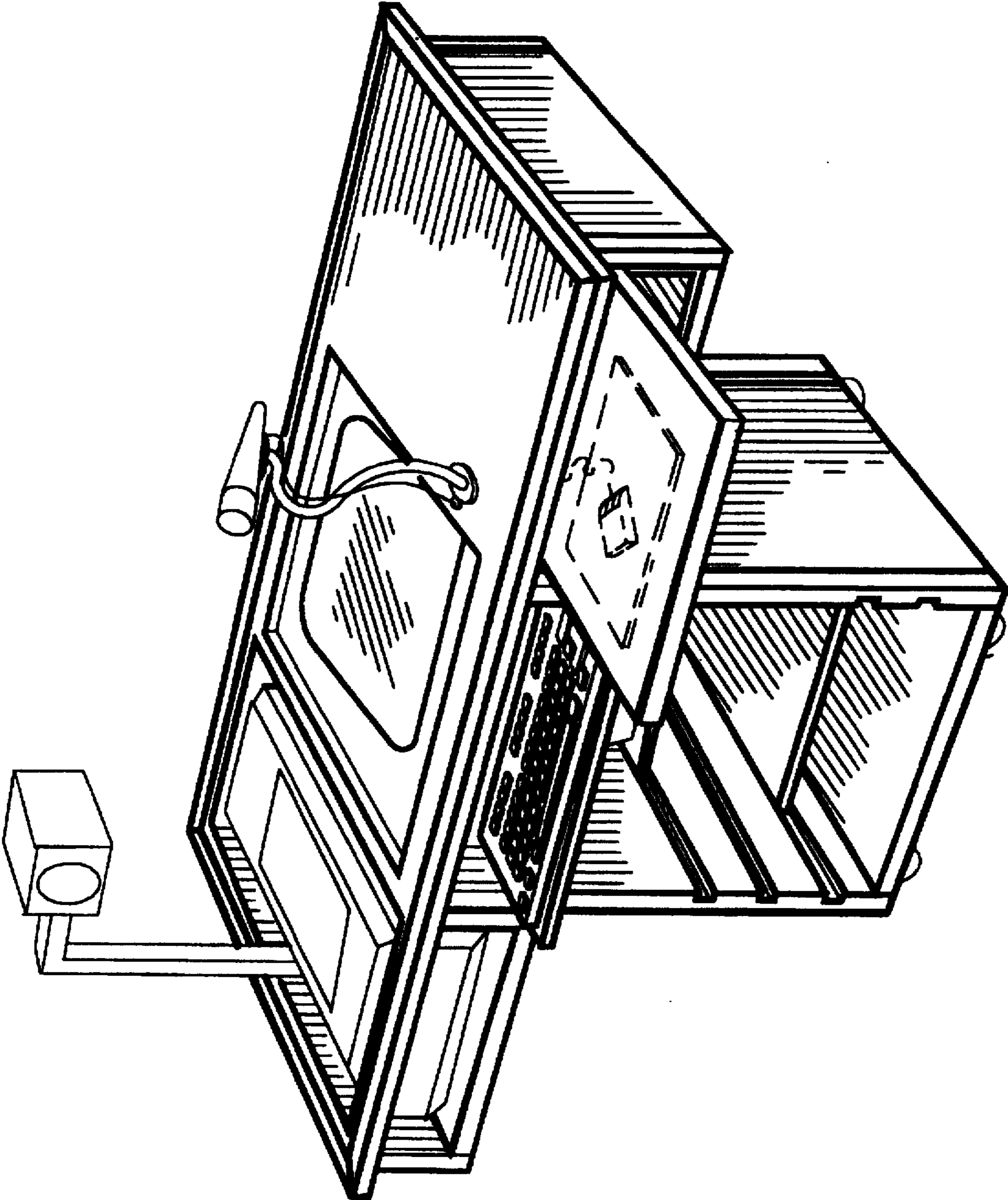


FIG. 8