



US00D389658S

United States Patent [19]

[11] Patent Number: **Des. 389,658**

Holt

[45] Date of Patent: ****Jan. 27, 1998**

[54] CONTAINER FOR DISPLAY AND STORAGE OF COMPUTER DISKETTES

[76] Inventor: **Charles E. Holt**, 6632 Beech Daly, Taylor, Mich. 48180

[**] Term: **14 Years**

[21] Appl. No.: **45,201**

[22] Filed: **Oct. 12, 1995**

[51] LOC (6) Cl. **14-99**

[52] U.S. Cl. **D6/632**

[58] Field of Search D6/407, 626-635; D19/82, 206, 214; D9/308; D12/84; D21/134, 140, 218; 206/308-312

D. 348,770	7/1994	Christiansson .	
D. 350,284	9/1994	Ran	D9/308
D. 350,644	9/1994	Cameron .	
D. 364,893	12/1995	Willard et al.	D19/82
4,375,850	3/1983	Smyth et al. .	
4,646,959	3/1987	Sheffer	D9/308
4,821,882	4/1989	Messina .	

Primary Examiner—Louis S. Zarfaz
Assistant Examiner—Frank Martinez
Attorney, Agent, or Firm—Howard & Howard

[57] CLAIM

The ornamental design for a container for display and storage of computer diskettes, as shown and described.

DESCRIPTION

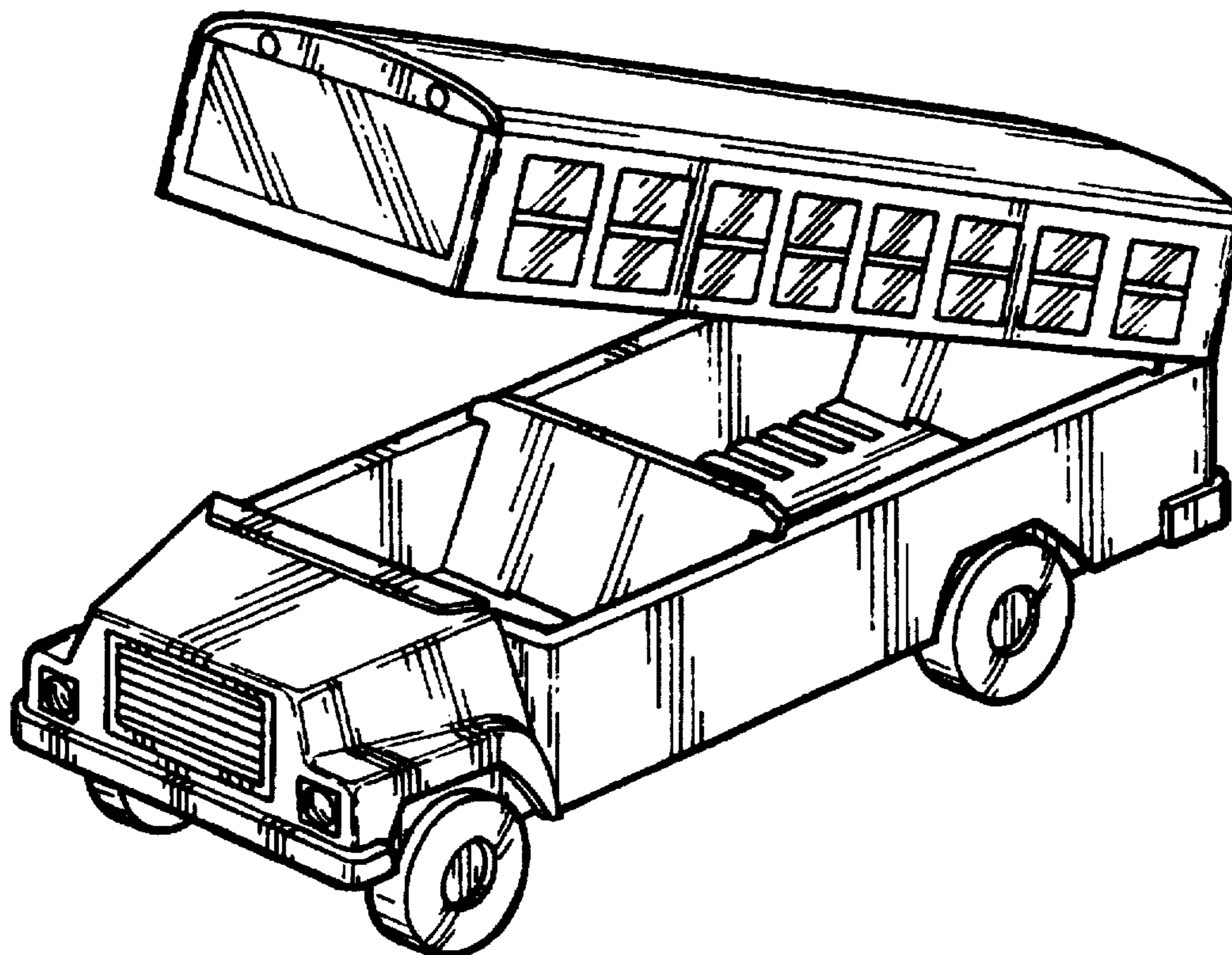
FIG. 1 is a perspective view of a container for display and storage of diskettes showing my new design with a top cover portion in a partially opened position; FIG. 2 is a front elevational view thereof with the top cover in a closed position; FIG. 3 is a rear elevational view thereof; FIG. 4 is a right side elevational view of FIG. 1 with the top cover in the closed position; FIG. 5 is a left side elevational view thereof; FIG. 6 is a bottom plan view thereof; and, FIG. 7 is a top plan view of FIG. 1 with the top cover removed.

[56] References Cited

U.S. PATENT DOCUMENTS

D. 43,583	2/1913	Vail	D9/308
D. 281,987	12/1985	Catelli .	
D. 282,032	1/1986	Lemmeyer	D21/140
D. 287,425	12/1986	Kirchner .	
D. 301,265	5/1989	Ishizawa .	
D. 309,643	7/1990	Picozza et al.	D21/218
D. 312,283	11/1990	Fenton .	
D. 324,306	3/1992	Te Lin .	
D. 329,830	9/1992	Girardin	D12/84
D. 330,663	11/1992	Copeland .	
D. 338,331	8/1993	Kin-Man Tse .	
D. 338,573	8/1993	Mattikow	D6/407

1 Claim, 3 Drawing Sheets



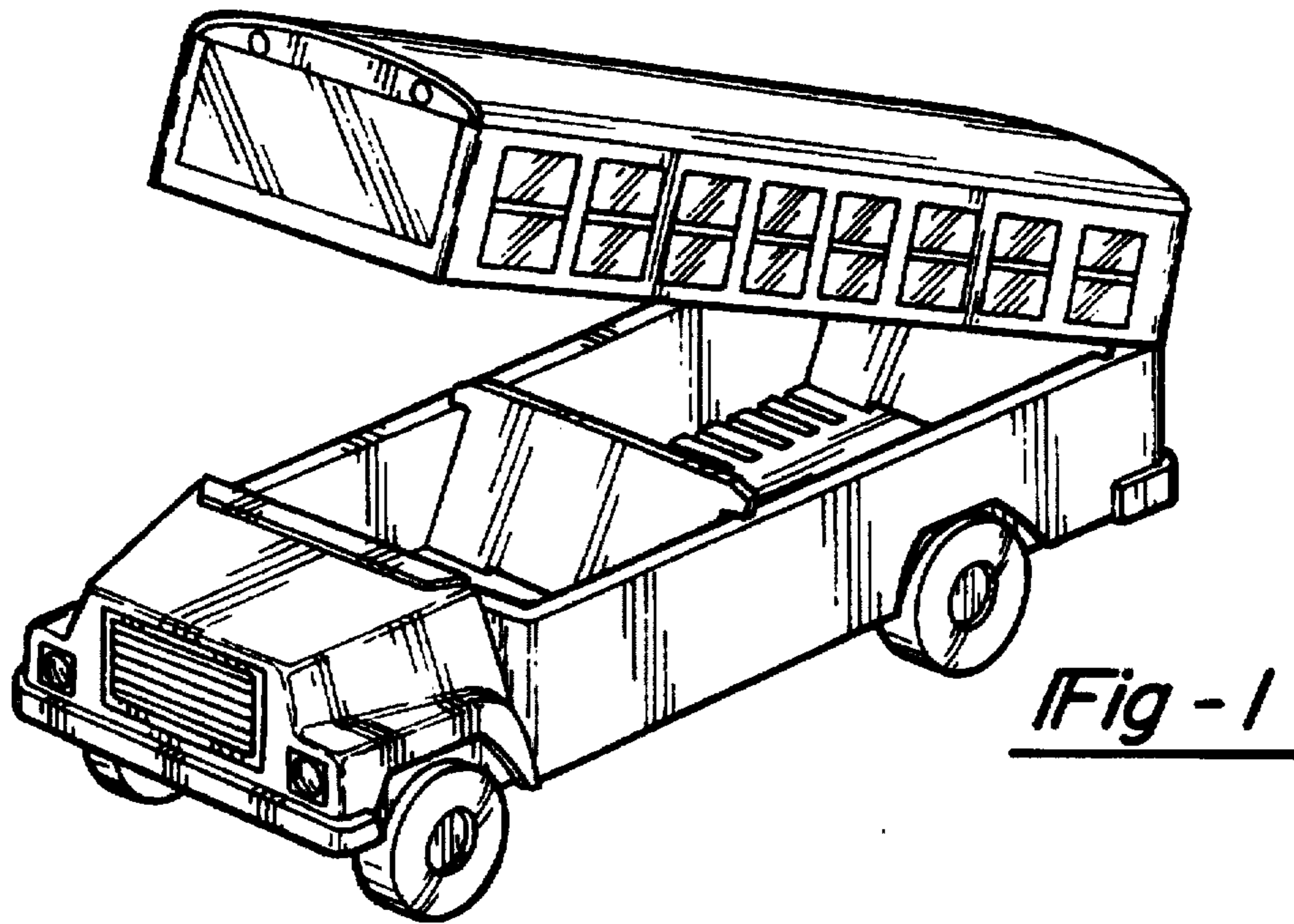


Fig - 1

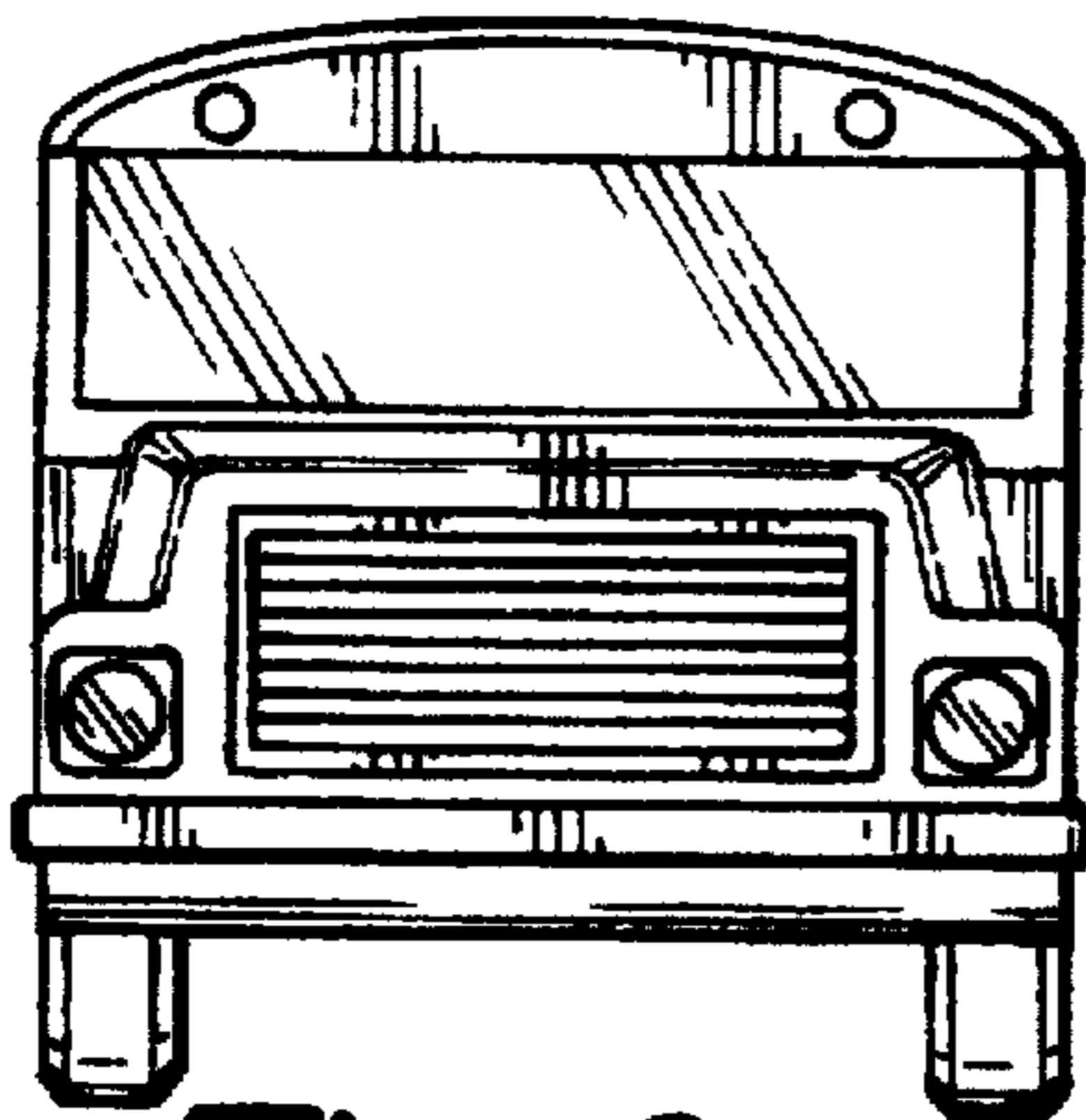


Fig - 2

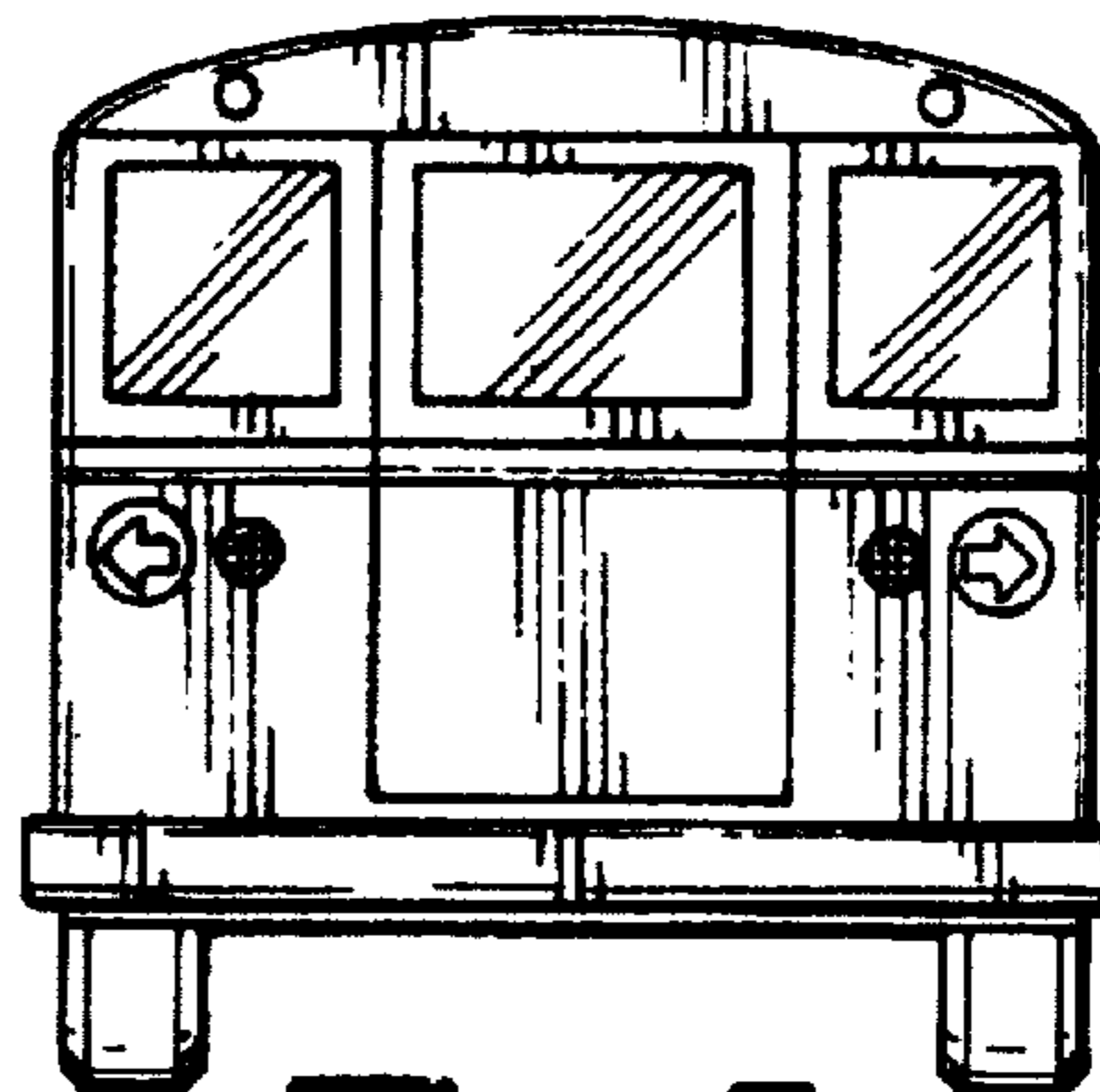


Fig - 3

Fig - 4

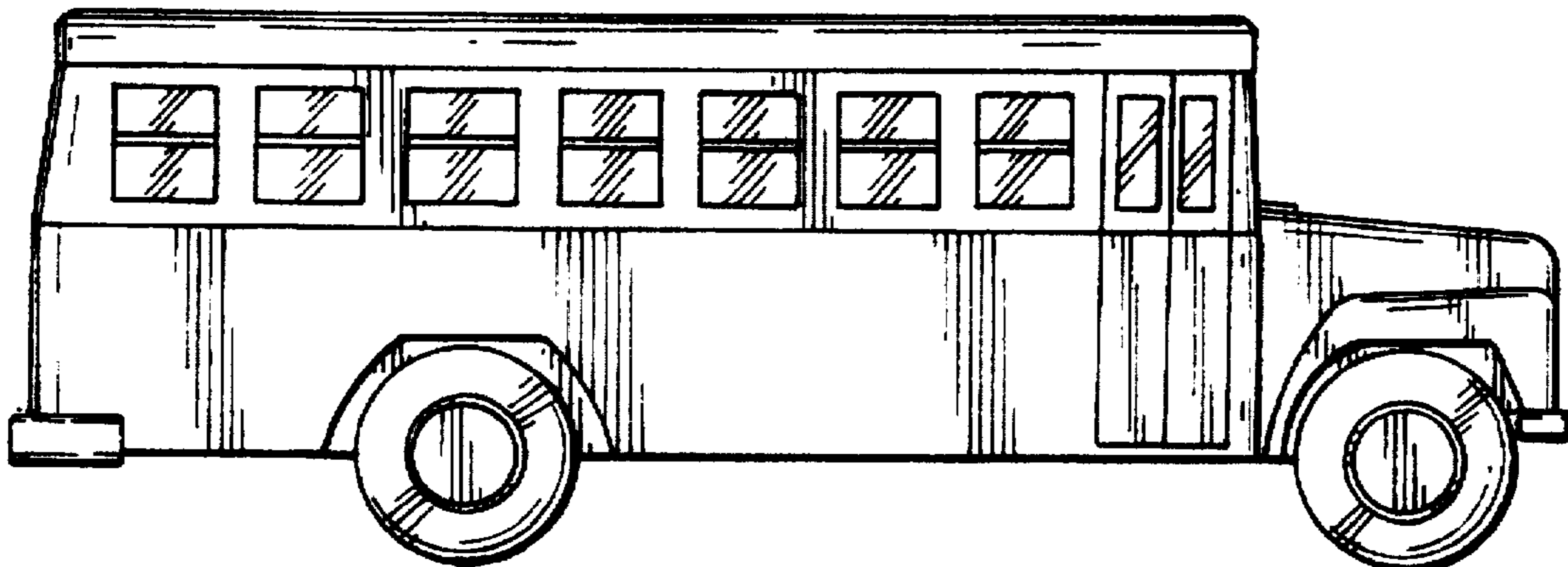


Fig - 5

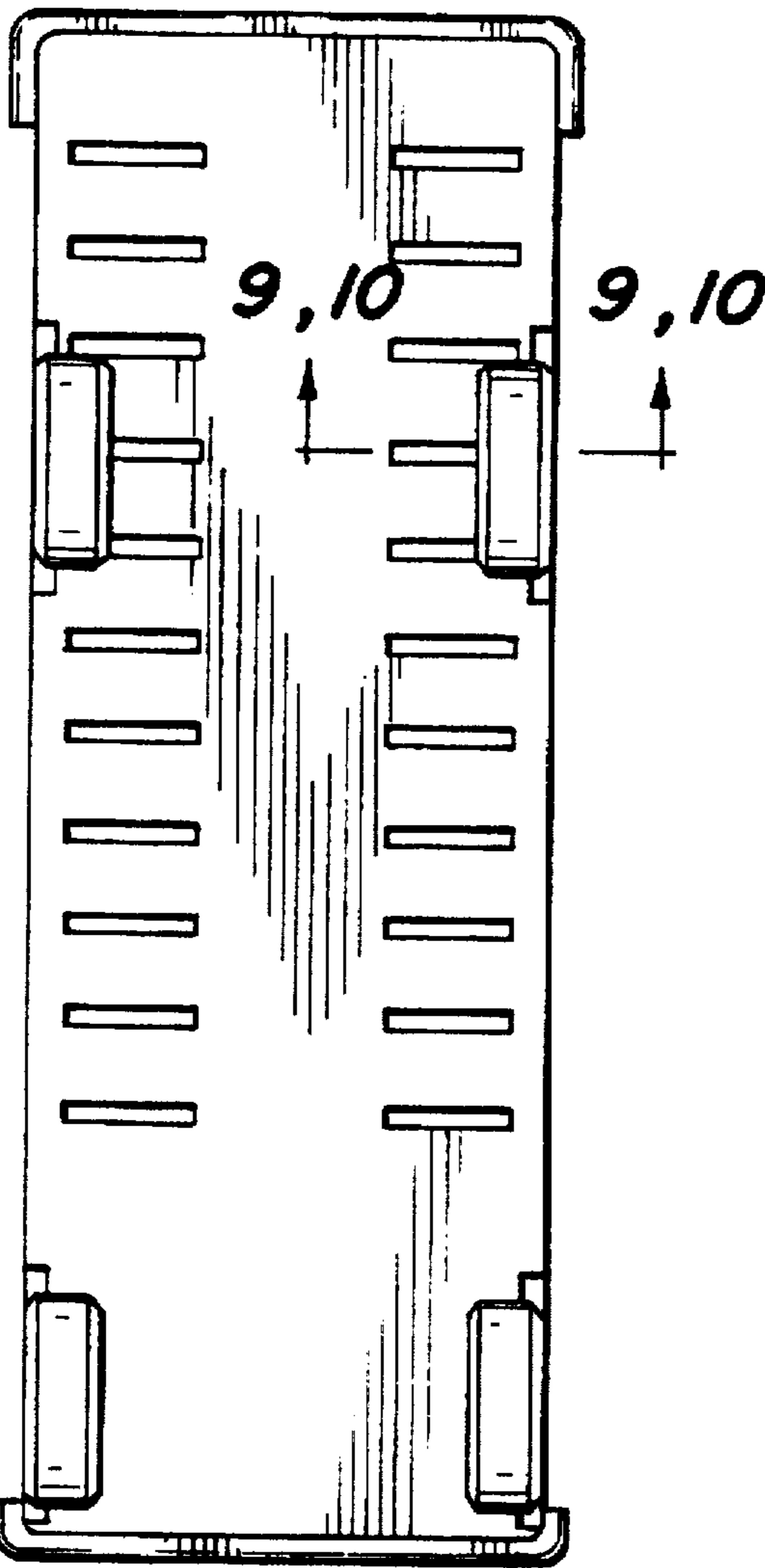
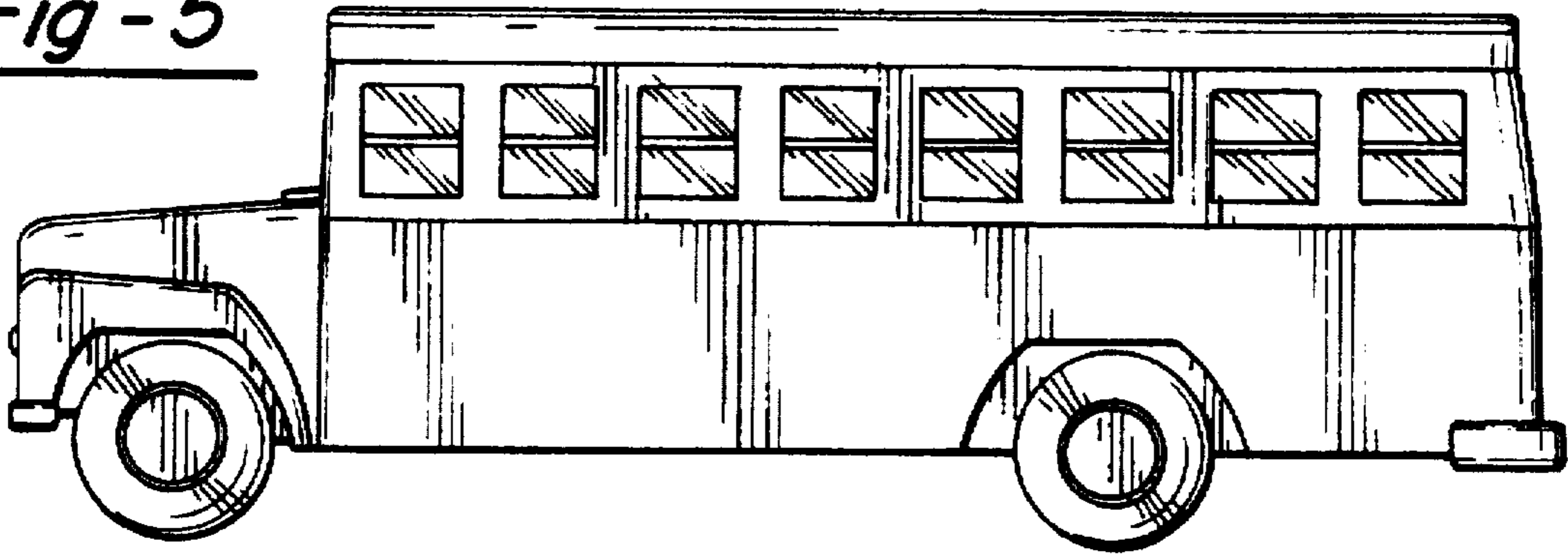


Fig - 6

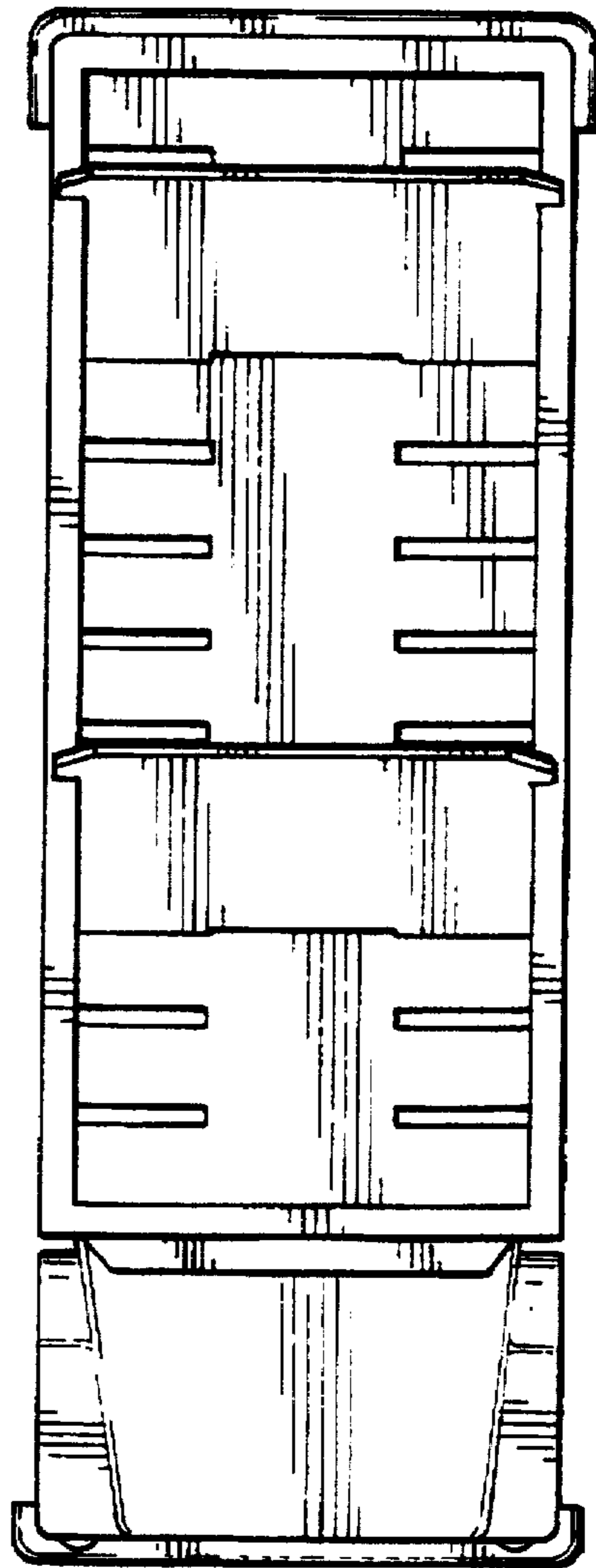


Fig - 7

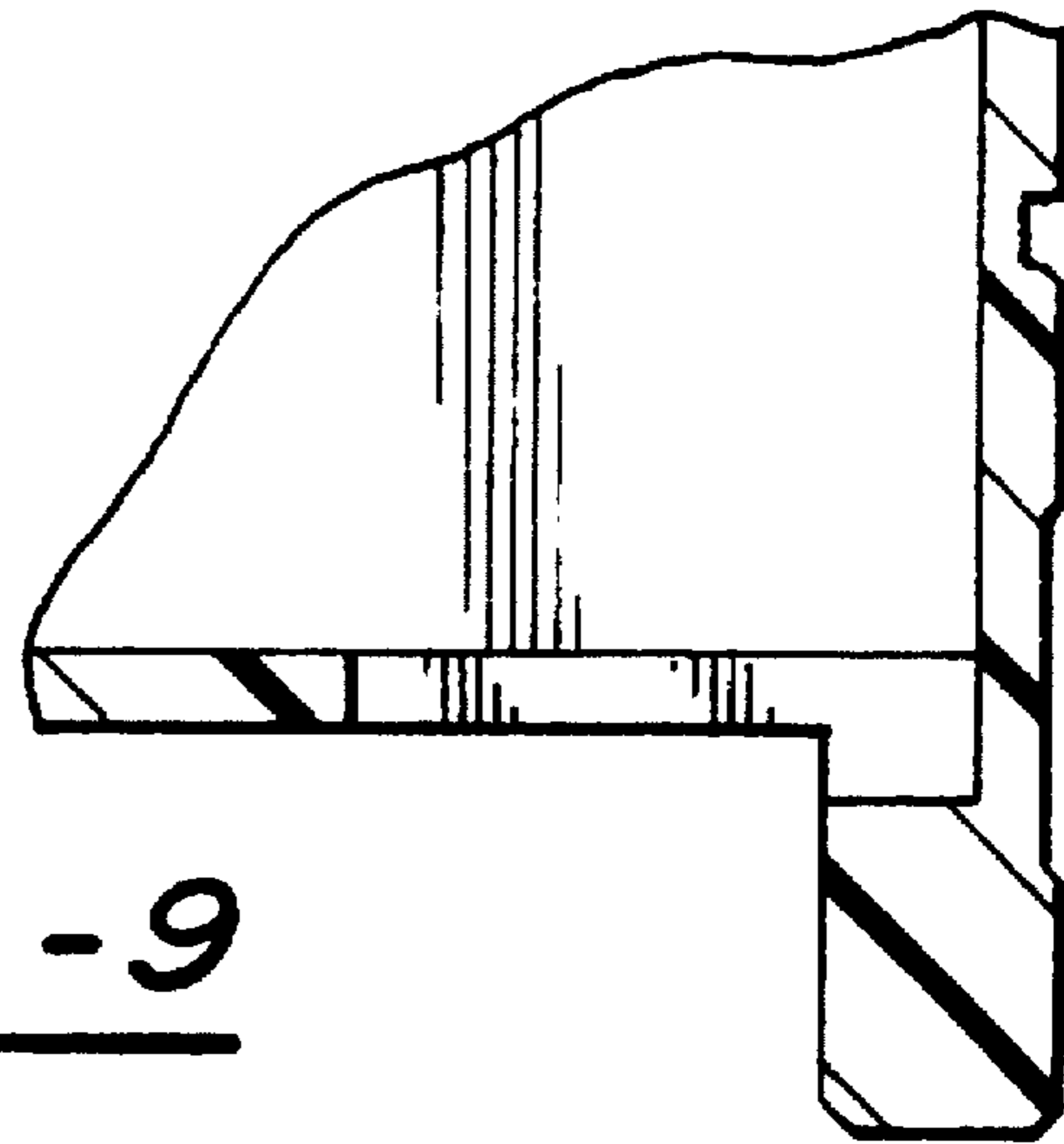


Fig - 9

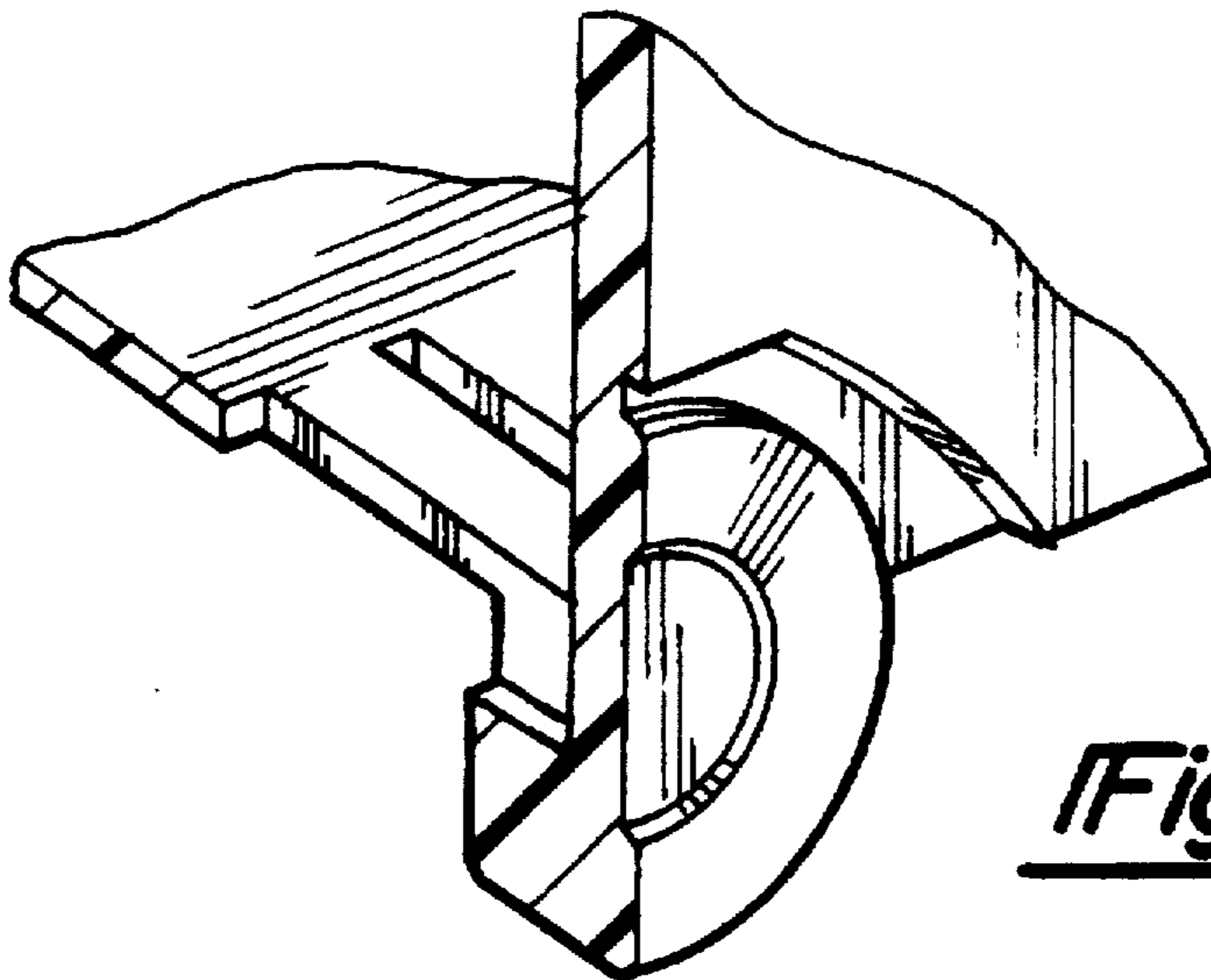


Fig - 10

UNITED STATES PATENT AND TRADEMARK OFFICE
CERTIFICATE OF CORRECTION

PATENT : Des. 389,658
DATED : January 27, 1998
INVENTOR(S) : Charles E. Holt

Page 1 of 2

It is certified that error appears in the above-identified patent and that said Letters Patent is hereby corrected as shown below:

In Figure 6, change cross reference numerals "9,10" to "9,8" as shown in the corrected Figure 6.

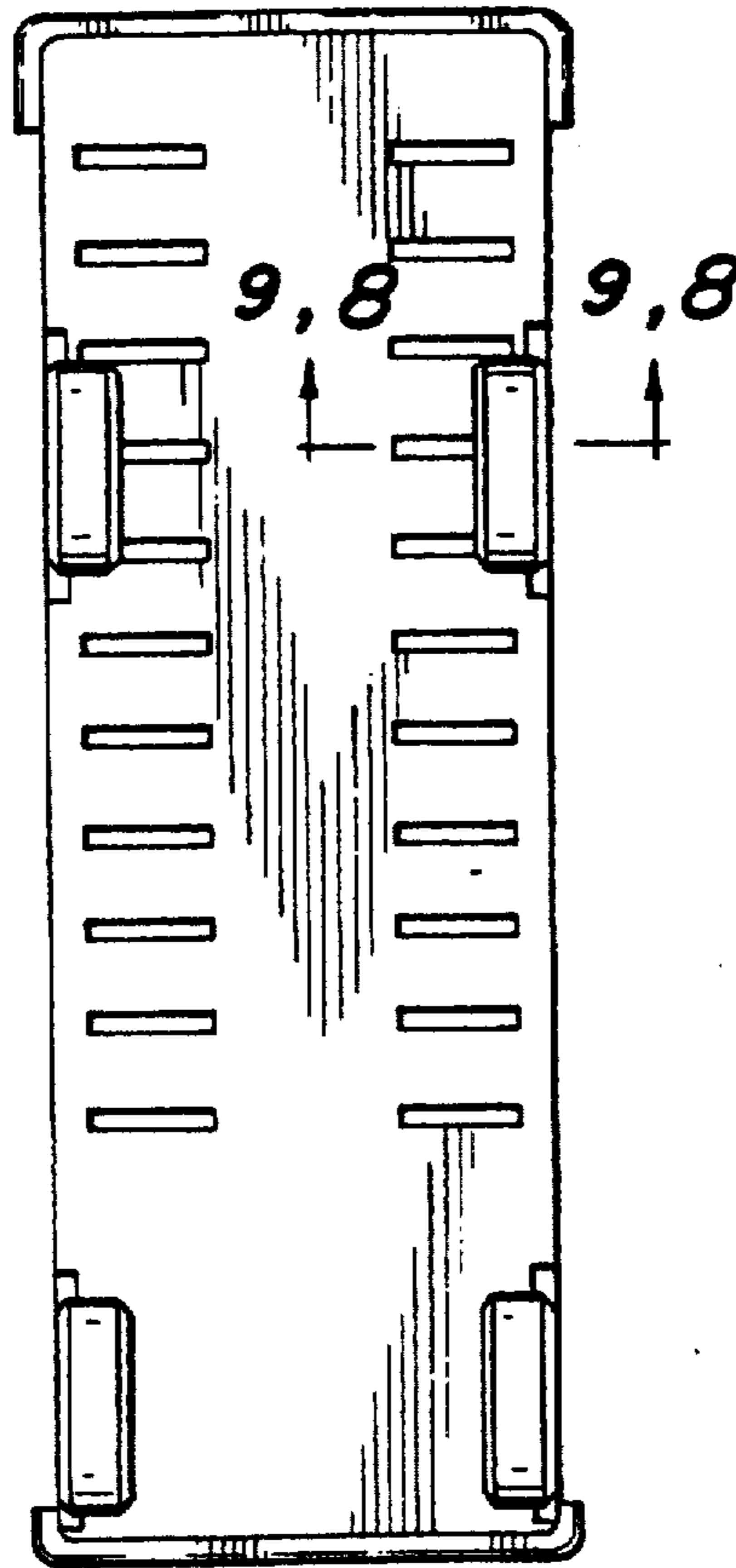


Fig - 6

UNITED STATES PATENT AND TRADEMARK OFFICE
CERTIFICATE OF CORRECTION

Page 2 of 2

PATENT : Des. 389,658
DATED : January 27, 1998
INVENTOR(S) : Charles E. Holt

It is certified that error appears in the above-identified patent and that said Letters Patent is hereby corrected as shown below:

Please renumber "Figure 10" to --Fig. 8-- as shown below:

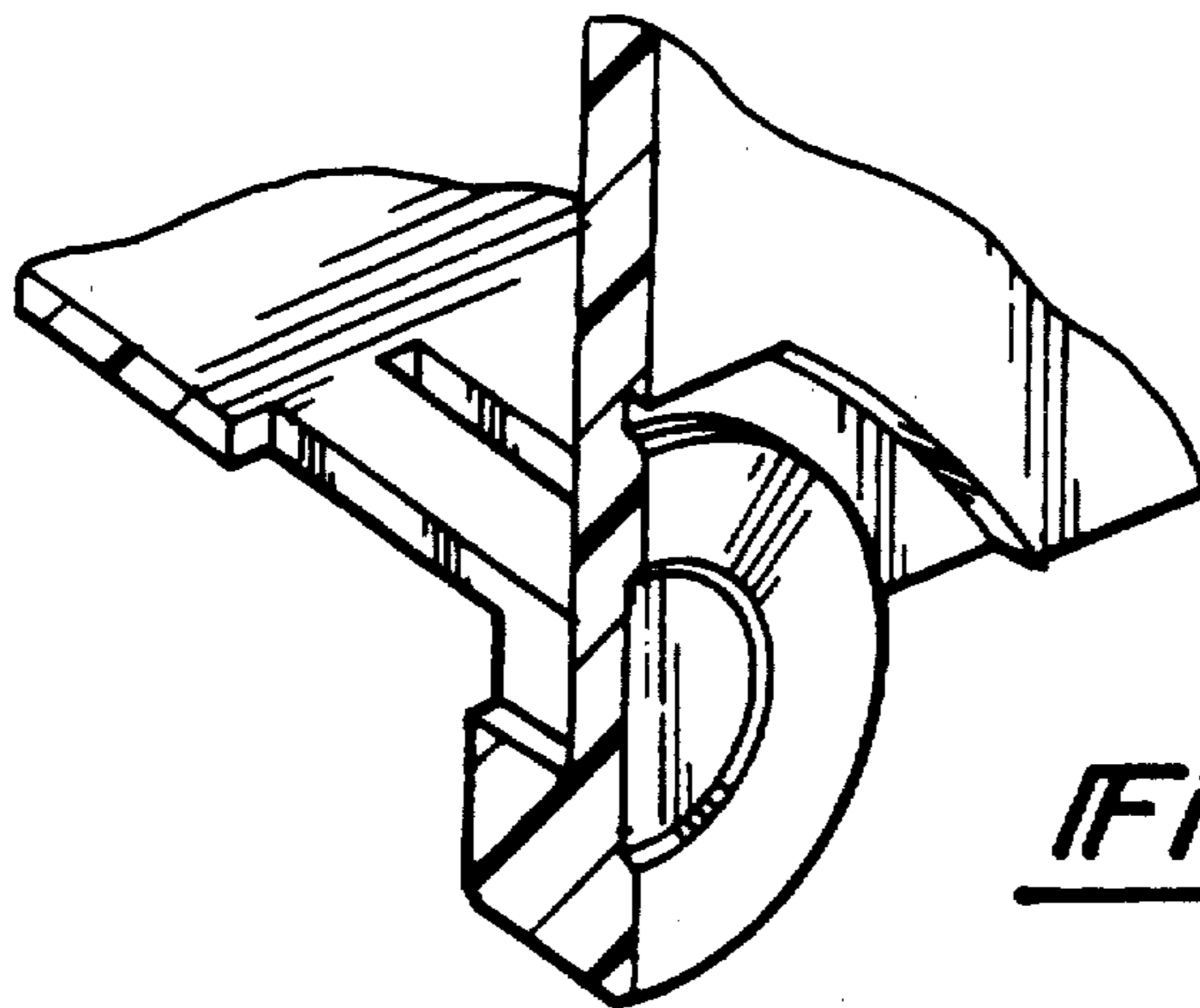


Fig-8

In the description please add the following:

Fig. 8 is a cross-sectional view taken along line 8-8 of Fig. 6; and
Fig. 9 is a cross-sectional view taken along line 9-9 of Fig. 6.

Signed and Sealed this
Sixteenth Day of June, 1998

Attest:



BRUCE LEHMAN

Attesting Officer

Commissioner of Patents and Trademarks