



US00D389652S

United States Patent [19]

Berti

[11] Patent Number: Des. 389,652

[45] Date of Patent: **Jan. 27, 1998

[54] **SCRUB BRUSH HANDLE**

[75] Inventor: Enzo Berti, Dolo/Venice, Italy

[73] Assignee: The Libman Company, Arcola, Ill.

[**] Term: 14 Years

[21] Appl. No.: 60,397

[22] Filed: Sep. 27, 1996

[51] LOC (6) Cl. 04-01

[52] U.S. Cl. D4/138

[58] Field of Search D4/129, 130, 132,
D4/135, 138, 119; 15/143.1, 159.1, 160,
186, 187

[56] **References Cited**

U.S. PATENT DOCUMENTS

| | | | | |
|------------|---------|-------------|-------|--------|
| D. 27,658 | 9/1897 | Jezuit | | D4/119 |
| D. 266,458 | 10/1982 | Gonsalves | | D4/129 |
| D. 324,457 | 3/1992 | Ricciarelli | | D4/130 |
| 1,749,733 | 3/1930 | Cave et al. | | 15/160 |

OTHER PUBLICATIONS

Hong Kong Enterprise Jan. 1986; Nail Brushes—items 261 and 355, p. 221.

Primary Examiner—Alan P. Douglas

Assistant Examiner—Lavone D. Tabor
Attorney, Agent, or Firm—Marshall, O'Toole, Gerstein,
Murray & Borun

[57] **CLAIM**

The ornamental design for a scrub brush handle, as shown and described.

DESCRIPTION

FIG. 1 is a perspective view of a scrub brush handle showing my new design;

FIG. 2 is a side elevational view thereof, the opposite side being a mirror image;

FIG. 3 is a top plan view thereof;

FIG. 4 is a bottom plan view thereof;

FIG. 5 is a front elevational view thereof;

FIG. 6 is a rear elevational view thereof;

FIG. 7 is a cross-sectional view taken along line 7—7 of FIG. 2;

FIG. 8 is a cross-sectional view taken along line 8—8 of FIG. 2;

FIG. 9 is a cross-sectional view taken along line 9—9 of FIG. 2; and,

FIG. 10 is a cross-sectional view taken along line 10—10 of FIG. 2.

The broken lines in FIG. 1 represents bristles and form no part of the design as claimed.

1 Claim, 2 Drawing Sheets

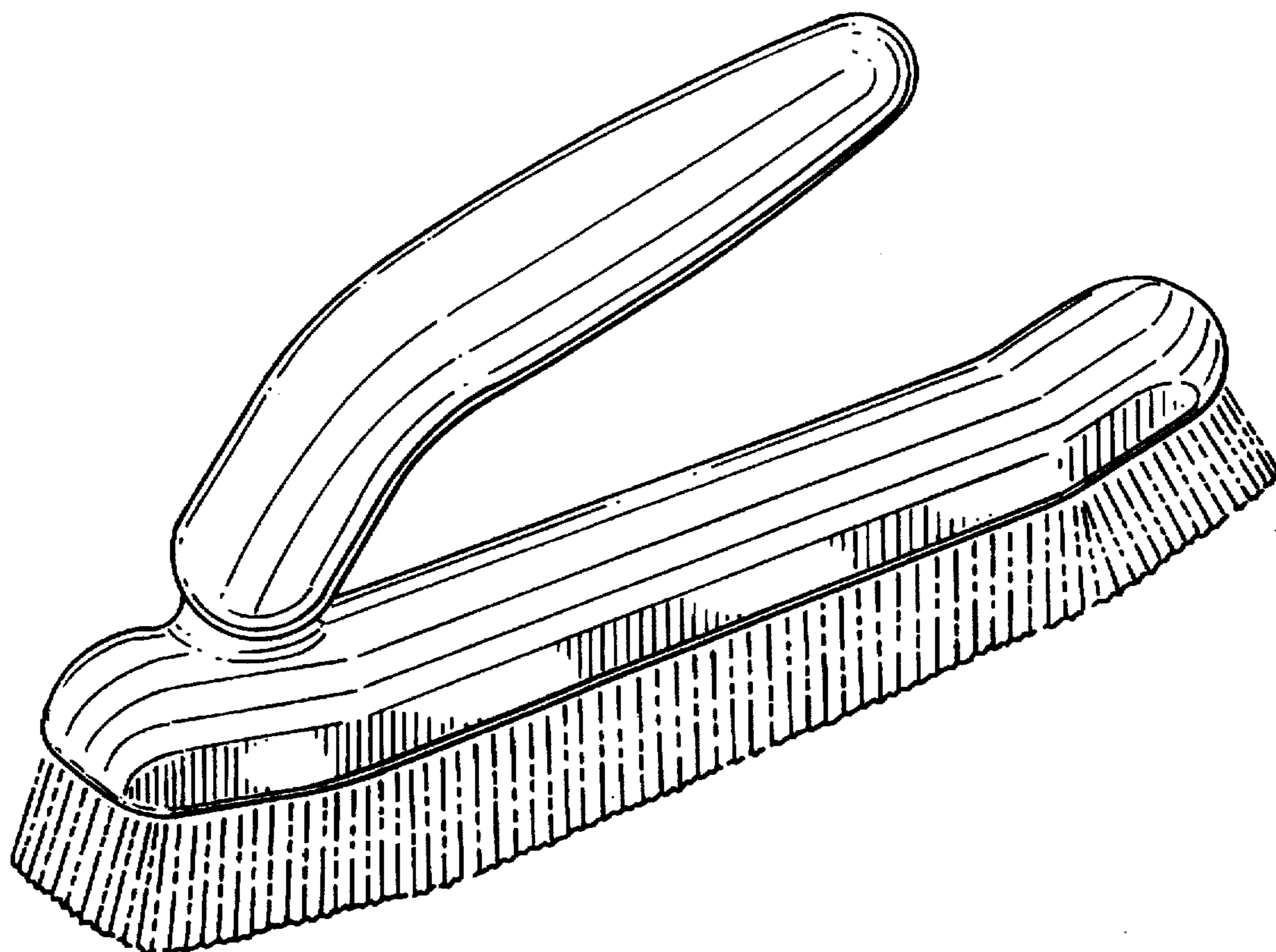


FIG. 1

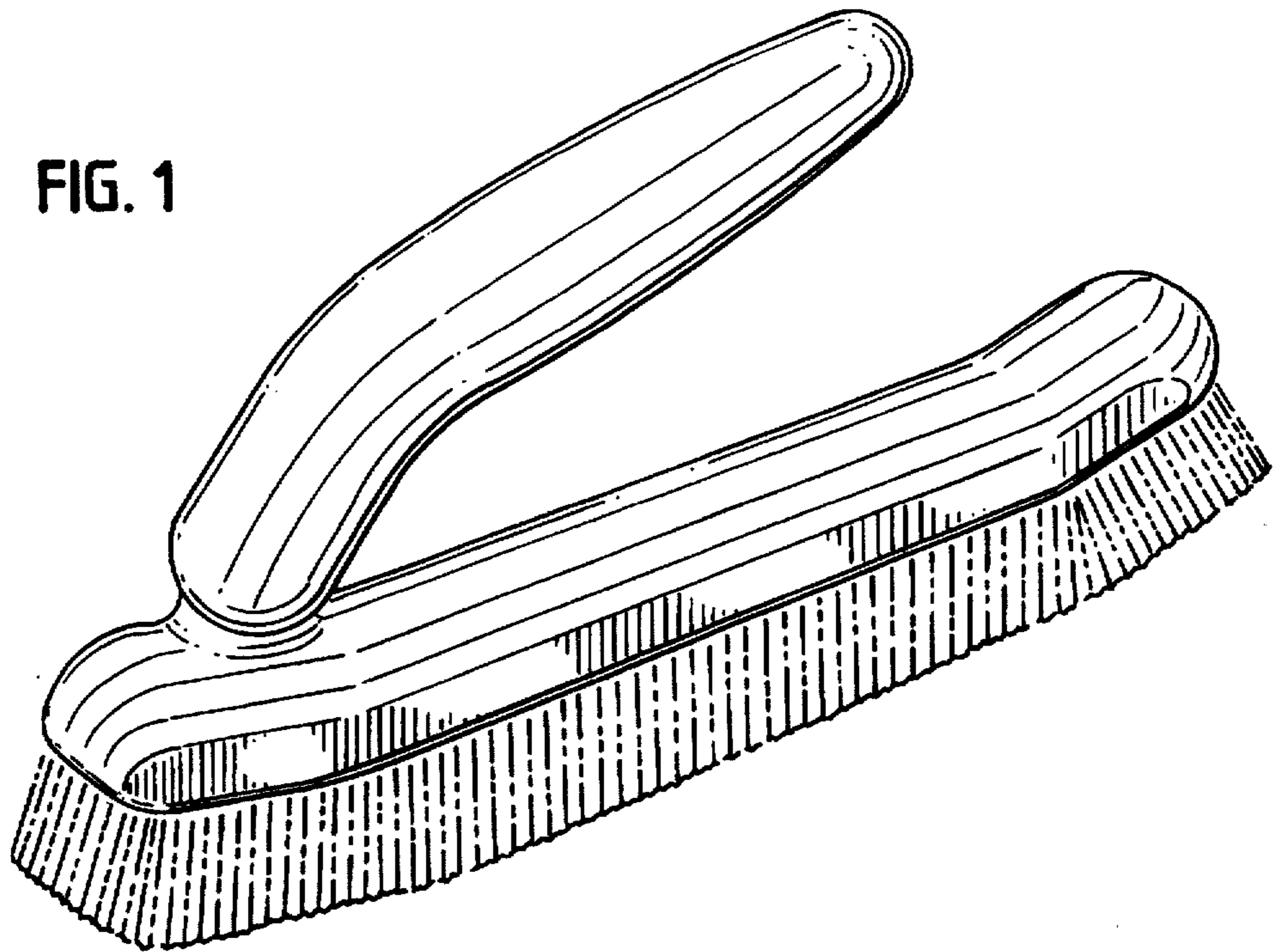


FIG. 2

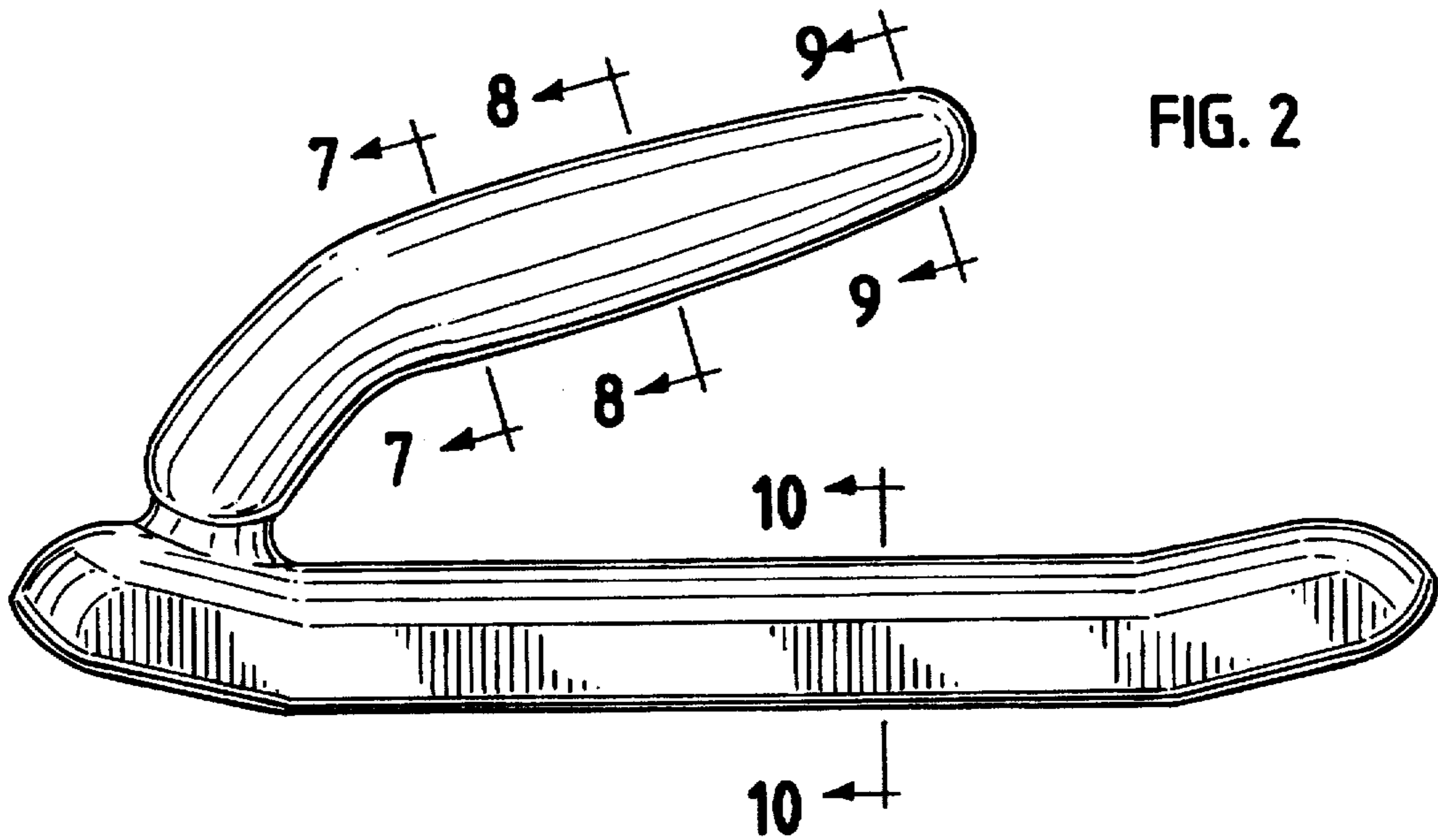


FIG. 3

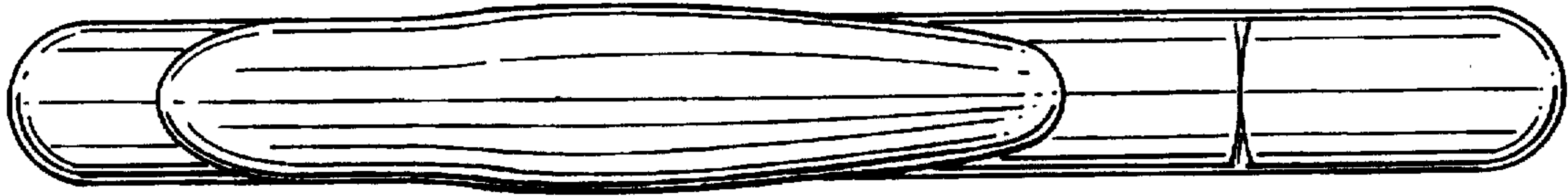


FIG. 4

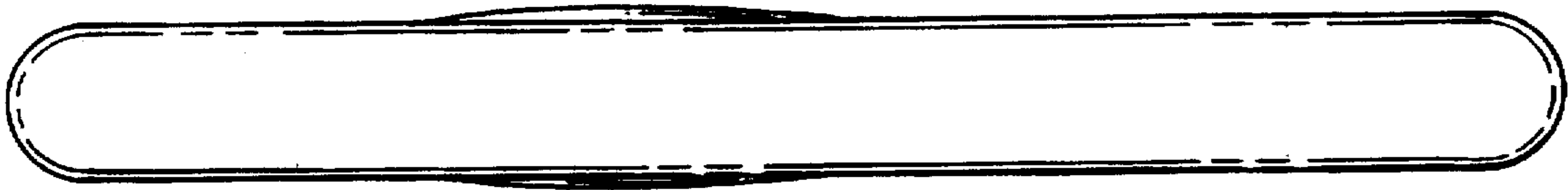


FIG. 5

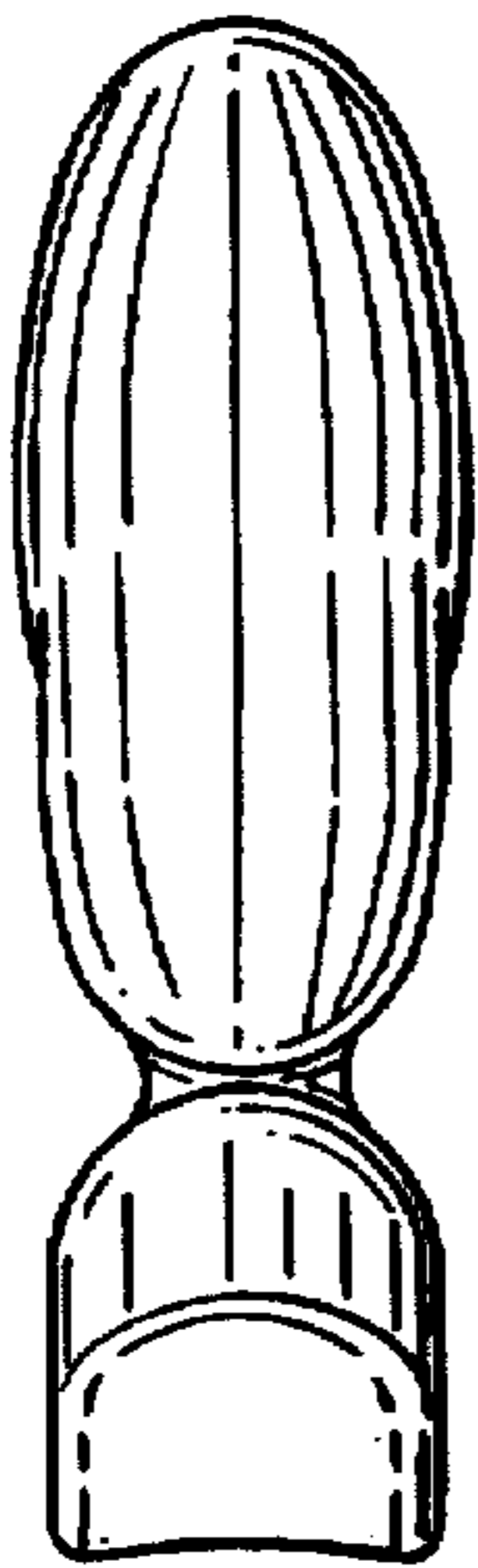


FIG. 6

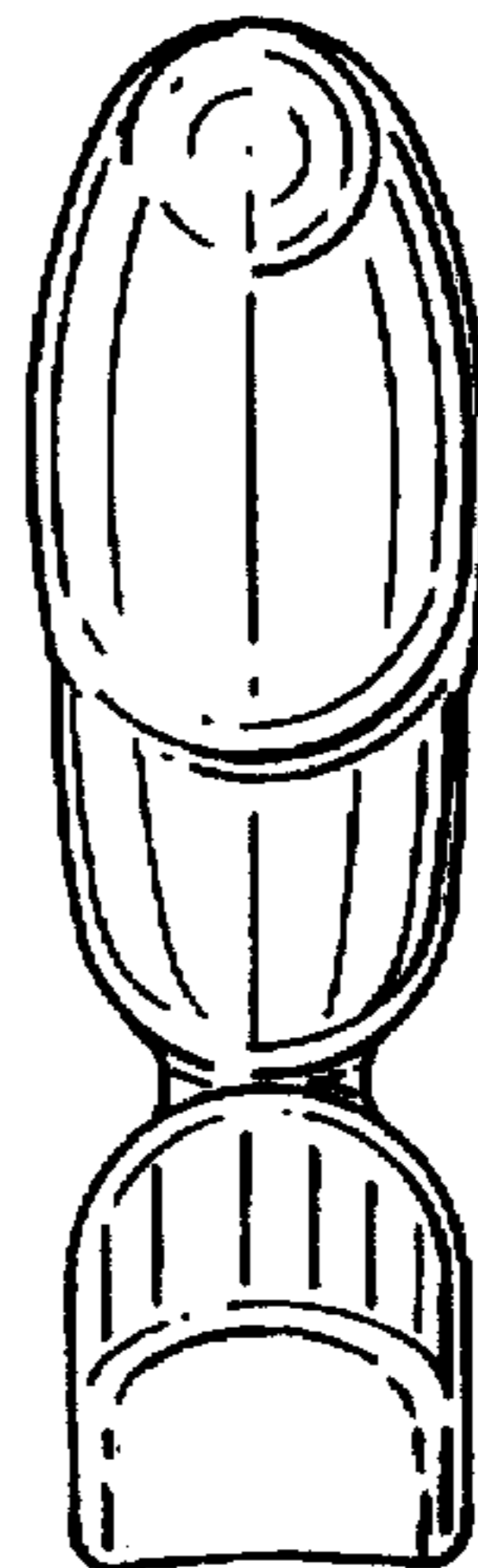


FIG. 7

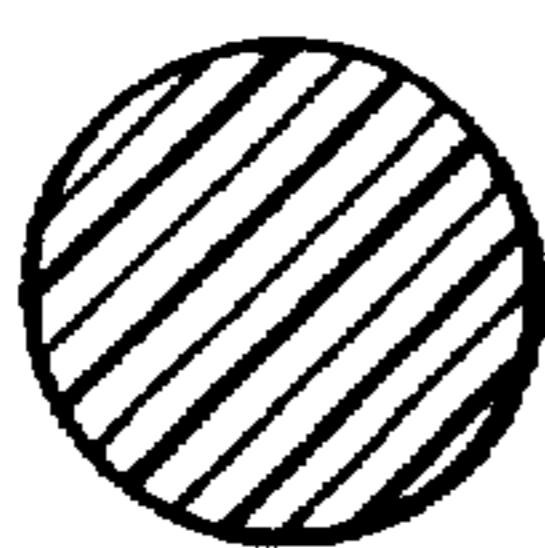


FIG. 8

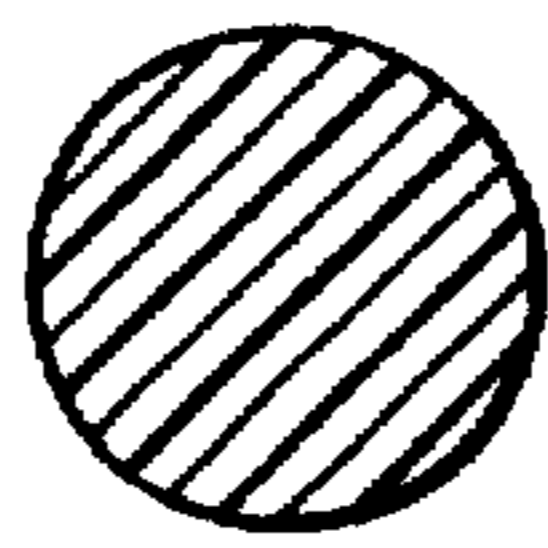


FIG. 9



FIG. 10

