



US00D389648S

United States Patent [19]
Gilcrease

[11] **Patent Number:** **Des. 389,648**
[45] **Date of Patent:** ****Jan. 27, 1998**

[54] **BAG CARRIER**

[76] **Inventor:** **Ann Marie Gilcrease, 1531 S. Highway 121, #232, Lewisville, Tex. 75067**

[**] **Term:** **14 Years**

[21] **Appl. No.:** **60,414**

[22] **Filed:** **Sep. 27, 1996**

[51] **LOC (6) Cl.** **03-01**

[52] **U.S. Cl.** **D3/315**

[58] **Field of Search** **D3/315, 307, 327, D3/328, 318; D8/300; D9/434-455; 24/30.55; 294/137, 146, 149, 156, 159, 170, 171; 383/6, 13, 27, 71, 78; 224/925, 927**

[56] **References Cited**

U.S. PATENT DOCUMENTS

D. 362,386 9/1995 Blocker D3/318
D. 362,622 9/1995 Davelaar 294/137 X

D. 369,470 5/1996 Suggs, Sr. D3/315 X
4,616,749 10/1986 Briggs 294/159 X
5,169,198 12/1992 Volk et al. 294/137
5,509,708 4/1996 Nathan 294/137 X

Primary Examiner—Doris V. Coles
Assistant Examiner—Catherine R. Oliver
Attorney, Agent, or Firm—L. Dan Tucker

[57] **CLAIM**

The ornamental design for a bag carrier, as shown and described.

DESCRIPTION

FIG. 1 is a perspective view of a bag carrier showing my new design;
FIG. 2 is a top plan view thereof;
FIG. 3 is a front elevational view, the rear view being a mirror image thereof;
FIG. 4 is a side view, the opposite side view being a mirror image thereof; and,
FIG. 5 is a bottom plan view thereof.

1 Claim, 1 Drawing Sheet

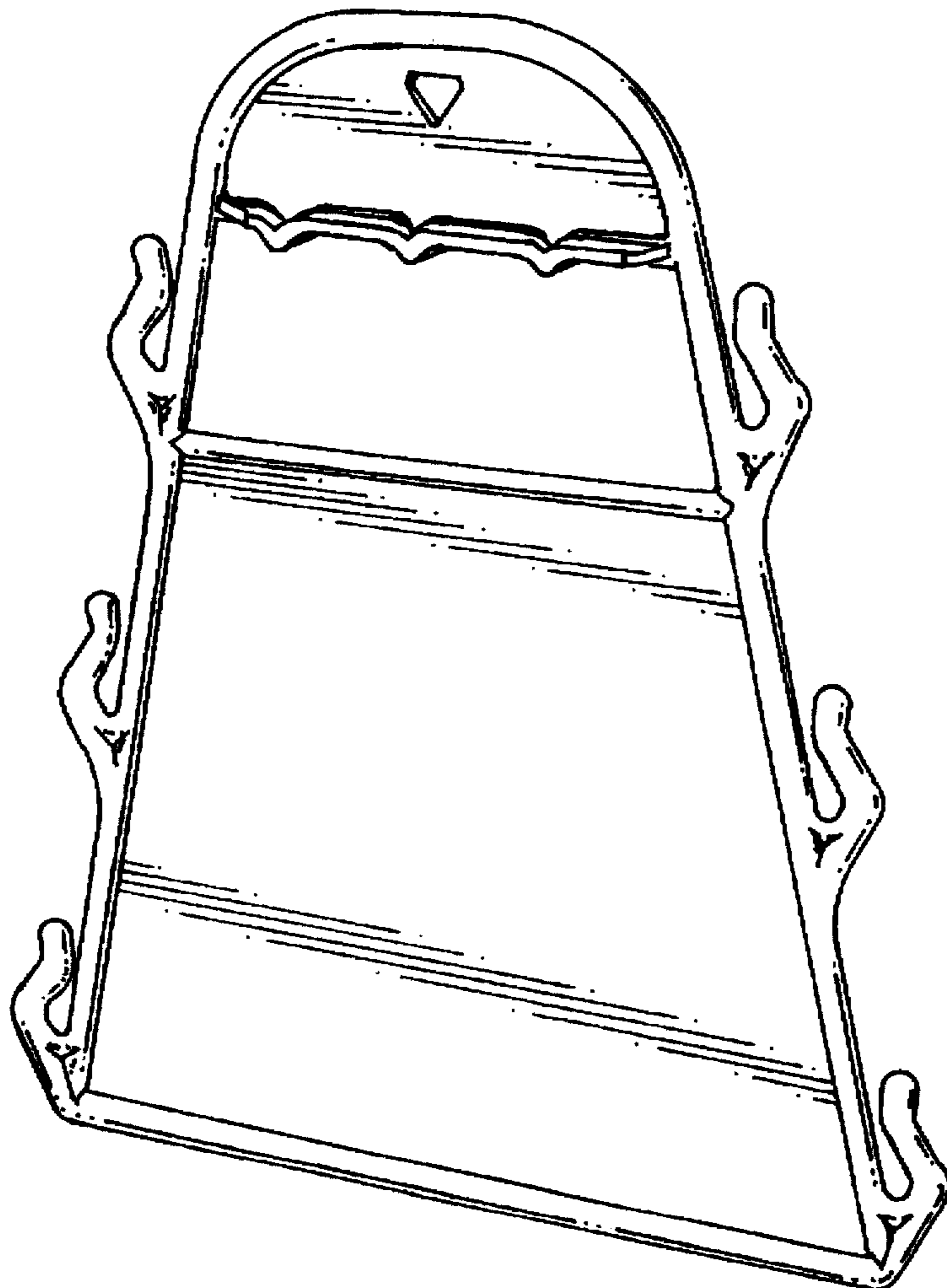


FIG. 1

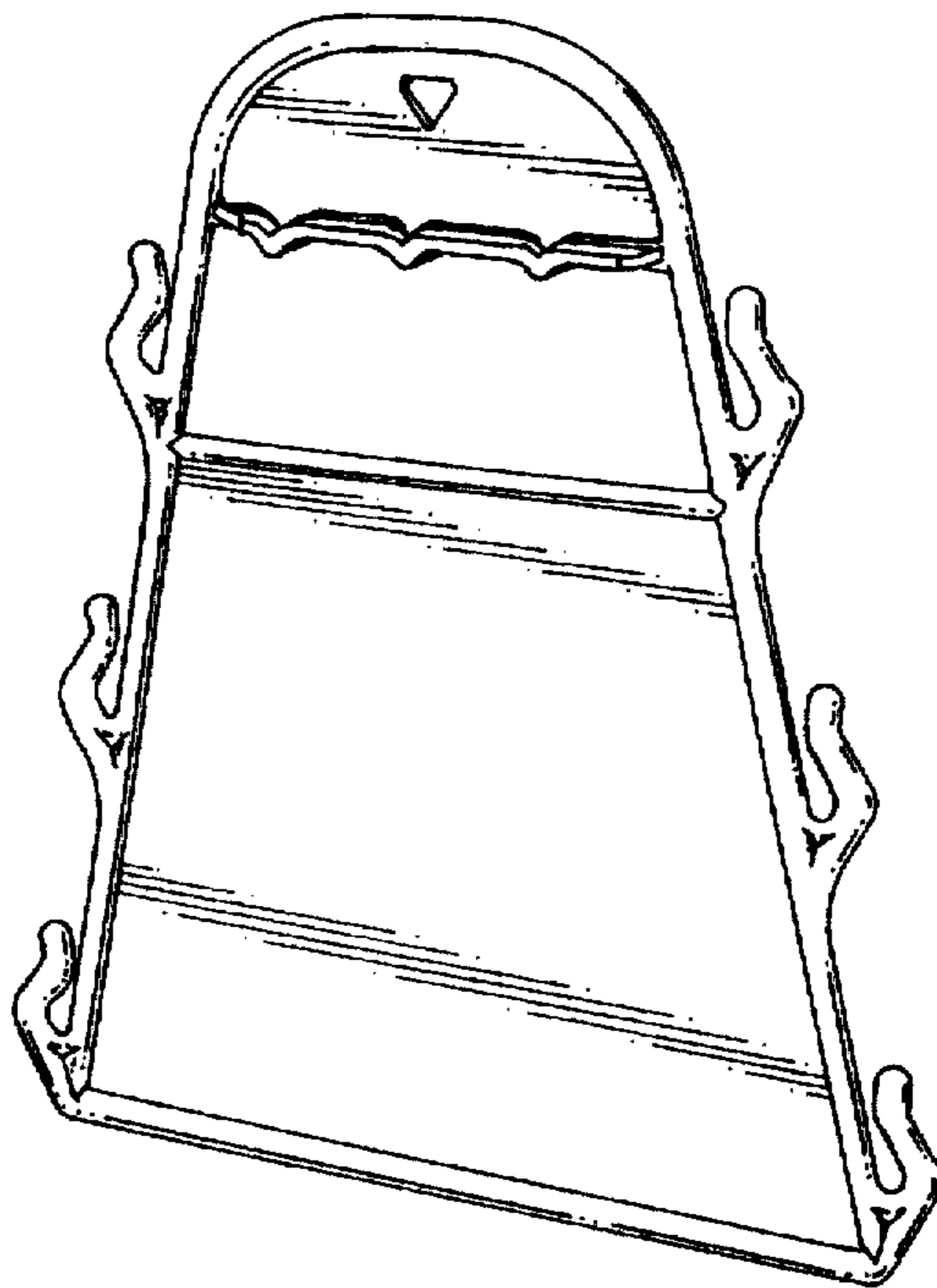


FIG. 2



FIG. 3

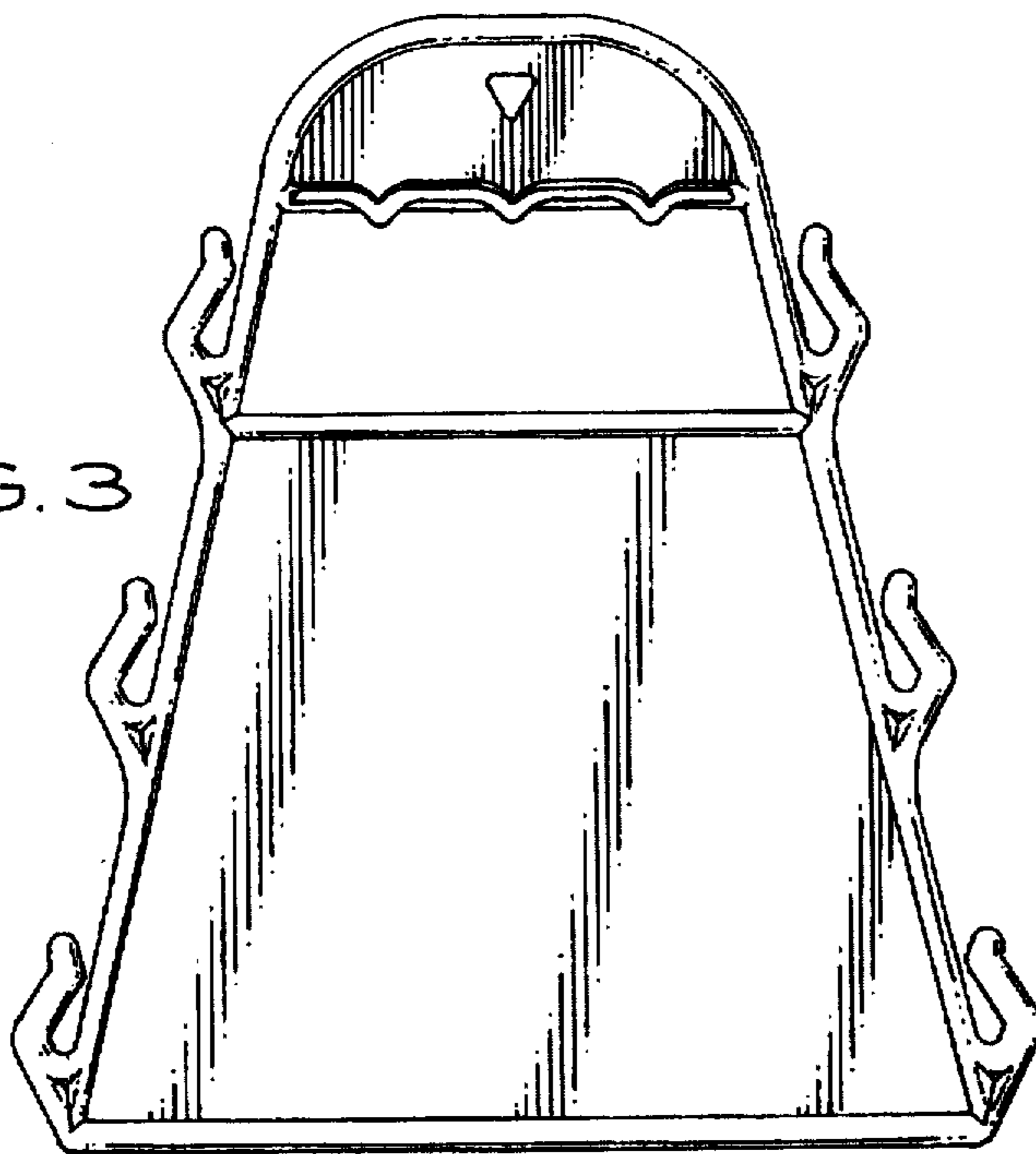


FIG. 4

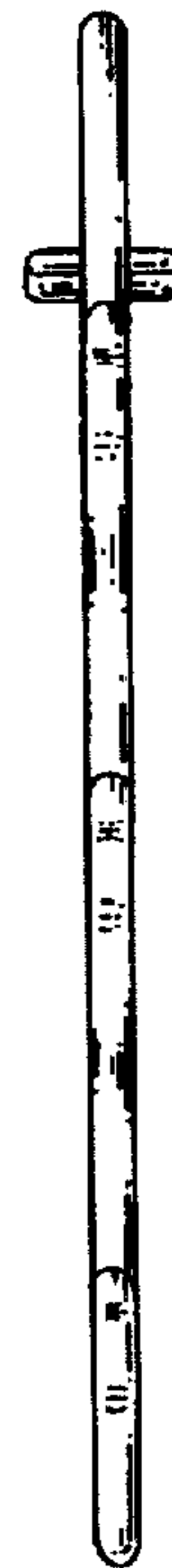


FIG. 5

